



US00D898784S

(12) **United States Design Patent**  
**Nagao et al.**

(10) **Patent No.:** **US D898,784 S**  
(45) **Date of Patent:** **\*\* Oct. 13, 2020**

(54) **ROTATION AGITATION APPARATUS**

(71) Applicant: **Nagao System Inc.**, Kawasaki-shi,  
Kanagawa (JP)

(72) Inventors: **Fumiyoshi Nagao**, Kawasaki (JP);  
**Daisuke Nagao**, Kawasaki (JP)

(73) Assignee: **NAGAO SYSTEM INC.**,  
Kawasaki-Shi (JP)

(\*\*) Term: **15 Years**

(21) Appl. No.: **29/687,519**

(22) Filed: **Apr. 12, 2019**

(51) **LOC (12) Cl.** ..... **15-09**

(52) **U.S. Cl.**  
USPC ..... **D15/138; D15/147**

(58) **Field of Classification Search**  
USPC ..... D7/376; D15/135, 138, 147  
CPC ..... B02C 17/08; B02C 17/16; B02C 17/171;  
B01F 7/285; B01F 13/002; B01F 13/005;  
B01F 13/0052; H01M 4/139  
See application file for complete search history.

(56) **References Cited**

**U.S. PATENT DOCUMENTS**

3,706,443	A *	12/1972	Oberhauser	.....	B01F 9/0001	366/216
4,955,551	A *	9/1990	Jurisov	.....	B02C 17/08	241/175
5,232,169	A *	8/1993	Kaneko	.....	B02C 17/08	241/171
5,364,036	A *	11/1994	Falcon-Steward	.....	B02C 17/08	241/137
5,522,558	A *	6/1996	Kaneko	.....	B02C 17/08	241/171
9,174,180	B2 *	11/2015	Juha	.....	B01F 15/00006	
D882,634	S *	4/2020	Guglielmo	.....	D15/1	
2005/0006506	A1 *	1/2005	McCartney	.....	B02C 17/18	241/175

2008/0197223	A1 *	8/2008	Nagao	.....	B02C 17/08	241/175
2011/0072980	A1 *	3/2011	Maupin	.....	A23B 4/26	99/348
2011/0197709	A1 *	8/2011	Koriyama	.....	C22B 21/0084	75/10.67
2011/0261643	A1 *	10/2011	Handa	.....	B01F 7/00158	366/270
2012/0195160	A1 *	8/2012	Sugihara	.....	B01F 7/285	366/279

(Continued)

**FOREIGN PATENT DOCUMENTS**

CN 305037507 S 2/2019

*Primary Examiner* — Patricia A Palasik

(74) *Attorney, Agent, or Firm* — Masuvalley & Partners

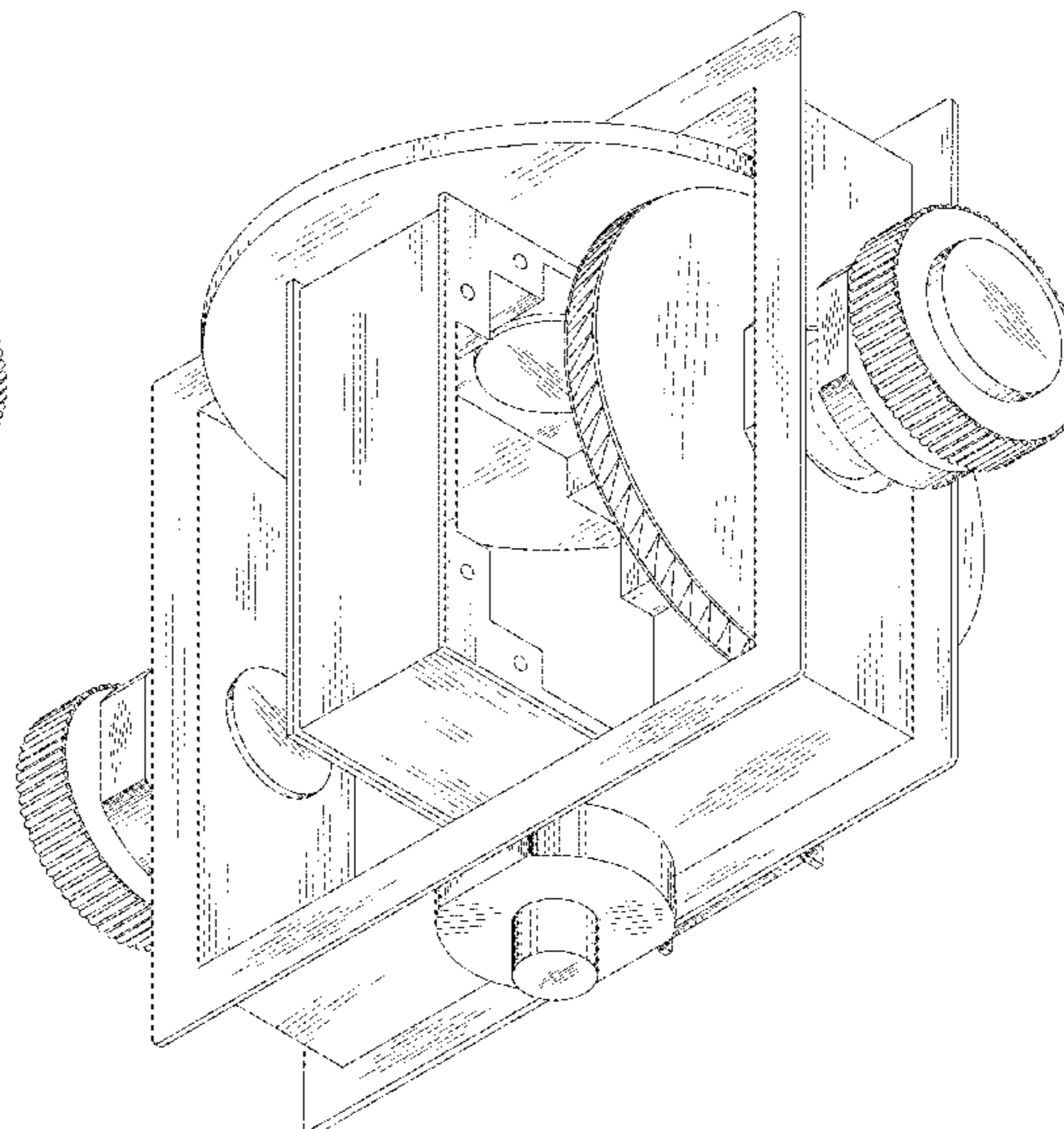
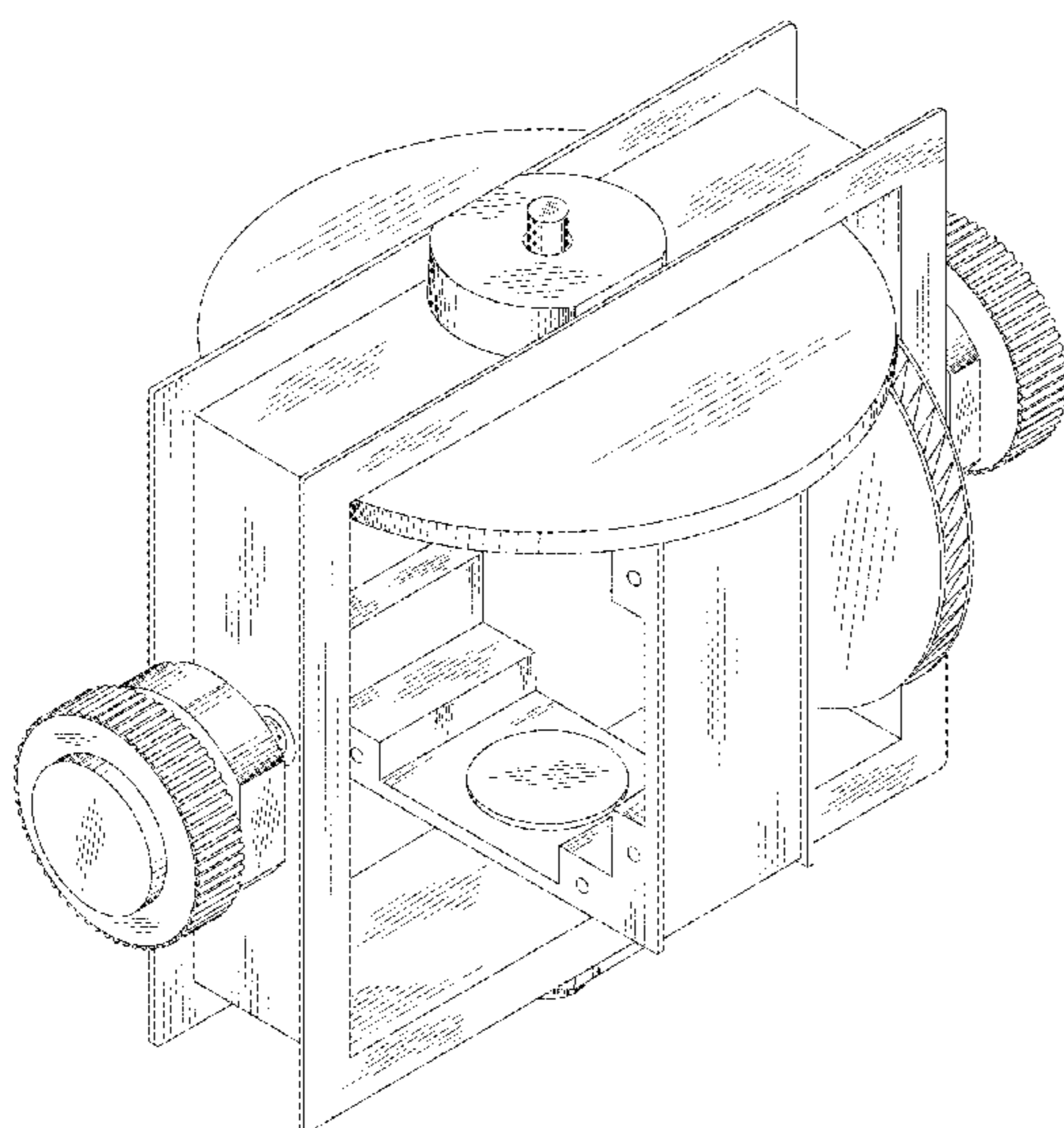
(57) **CLAIM**

The ornamental design for a rotation agitation apparatus, as shown and described.

**DESCRIPTION**

FIG. 1 is a perspective view seen from top left of a rotation agitation apparatus according to the invention;  
 FIG. 2 is a perspective view seen from bottom right of the rotation agitation apparatus of FIG. 1;  
 FIG. 3 is a front elevation view of the rotation agitation apparatus of FIG. 1;  
 FIG. 4 is a rear elevation view of the rotation agitation apparatus of FIG. 1;  
 FIG. 5 is a left side view of the rotation agitation apparatus of FIG. 1;  
 FIG. 6 is a right side view of the rotation agitation apparatus of FIG. 1;  
 FIG. 7 is a top view of the rotation agitation apparatus of FIG. 1; and,  
 FIG. 8 is bottom view of the rotation agitation apparatus of FIG. 1.

**1 Claim, 8 Drawing Sheets**



(56)

**References Cited**

U.S. PATENT DOCUMENTS

2012/0199475 A1\* 8/2012 McHugh ..... C25D 17/001  
204/273  
2014/0117131 A1\* 5/2014 Gouko ..... B02C 17/08  
241/175  
2015/0201809 A1\* 7/2015 Balasubramanian . A47J 43/046  
241/65  
2015/0367255 A1\* 12/2015 McAlister ..... B01D 21/2444  
75/744  
2016/0114332 A1\* 4/2016 Onuki ..... B02C 17/16  
241/69  
2017/0022624 A1\* 1/2017 Wilson ..... C25D 21/10  
2020/0022383 A1\* 1/2020 Zhang ..... A23J 1/10

\* cited by examiner

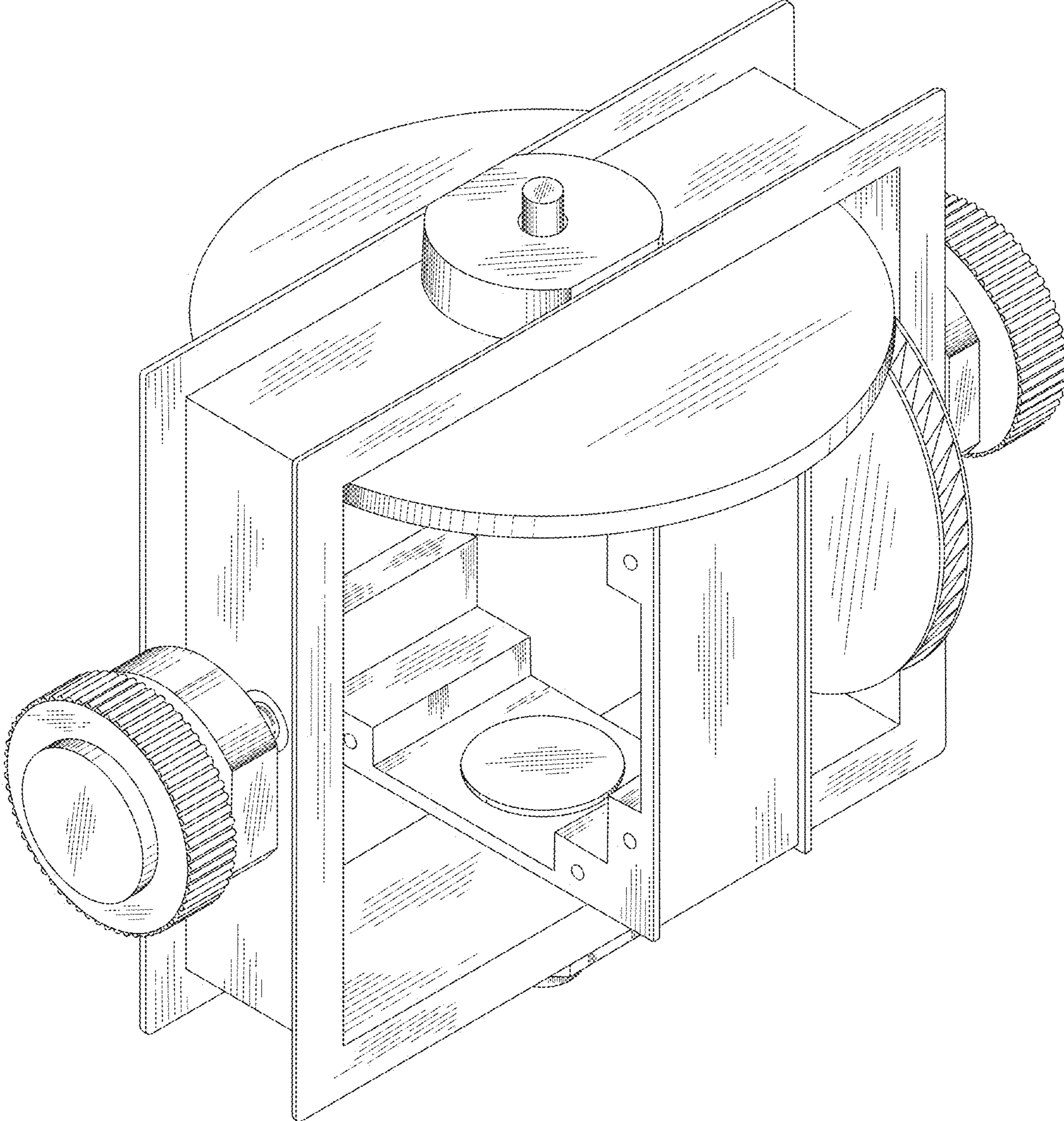


FIG.1



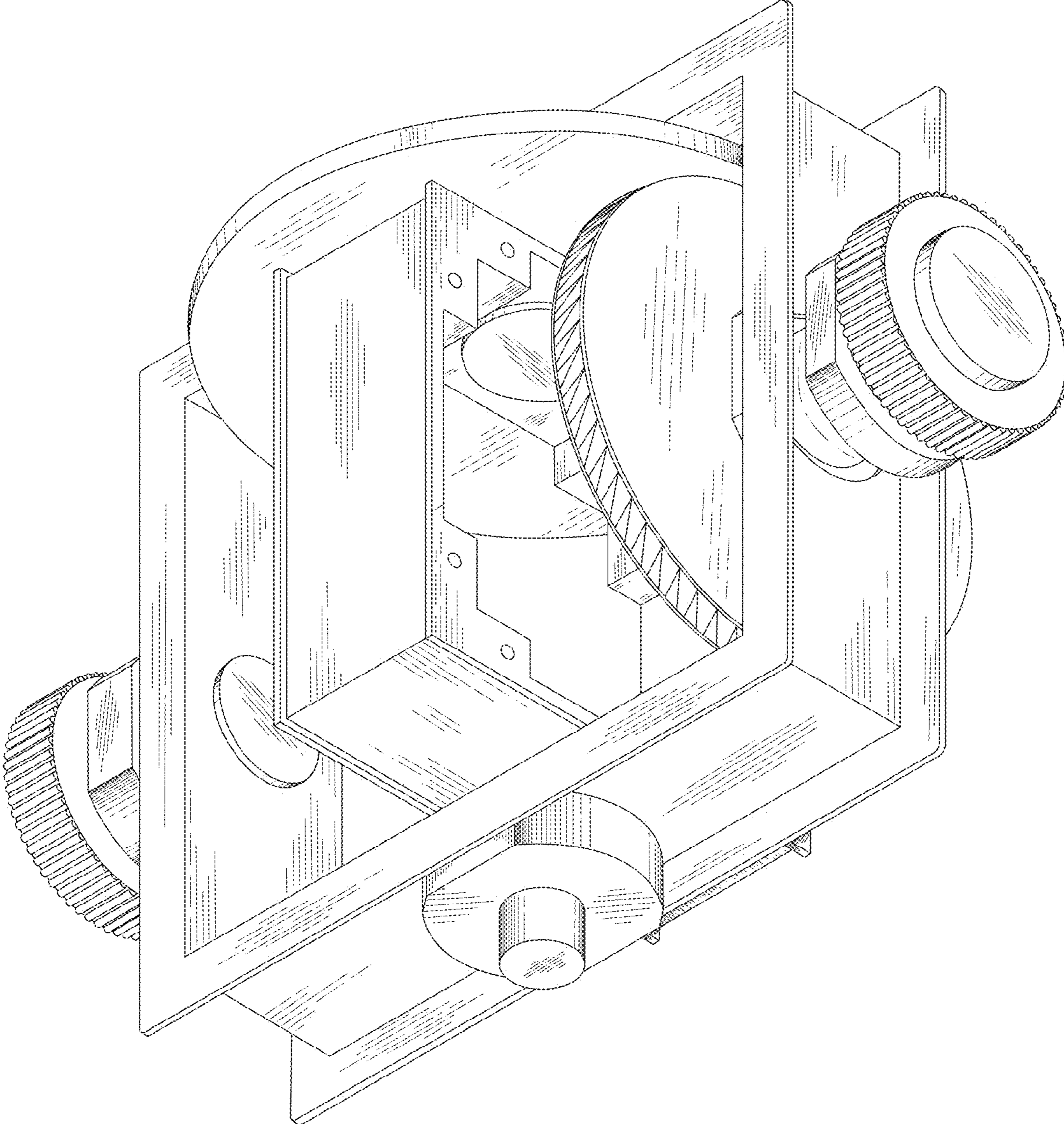


FIG.2

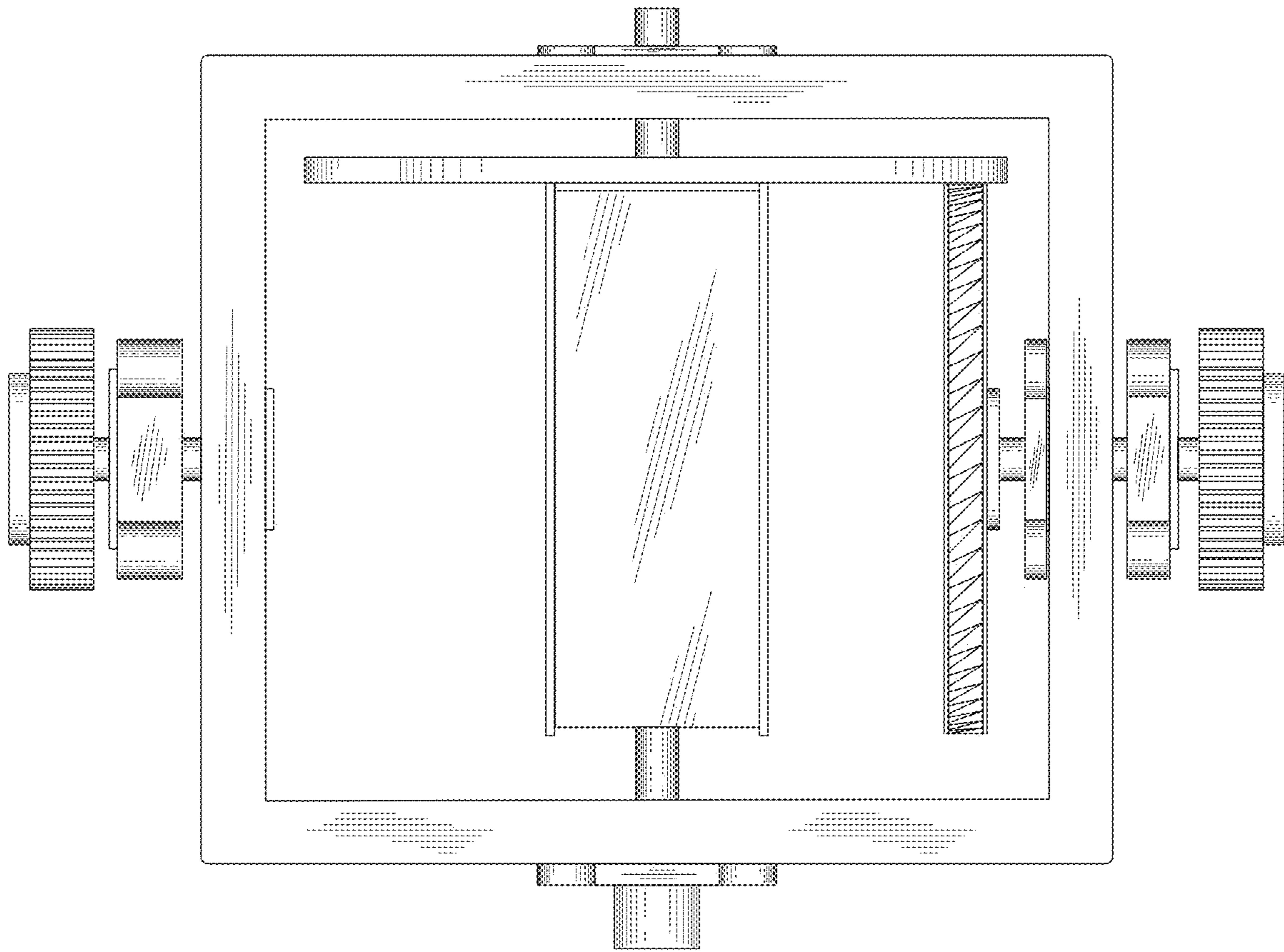


FIG.3

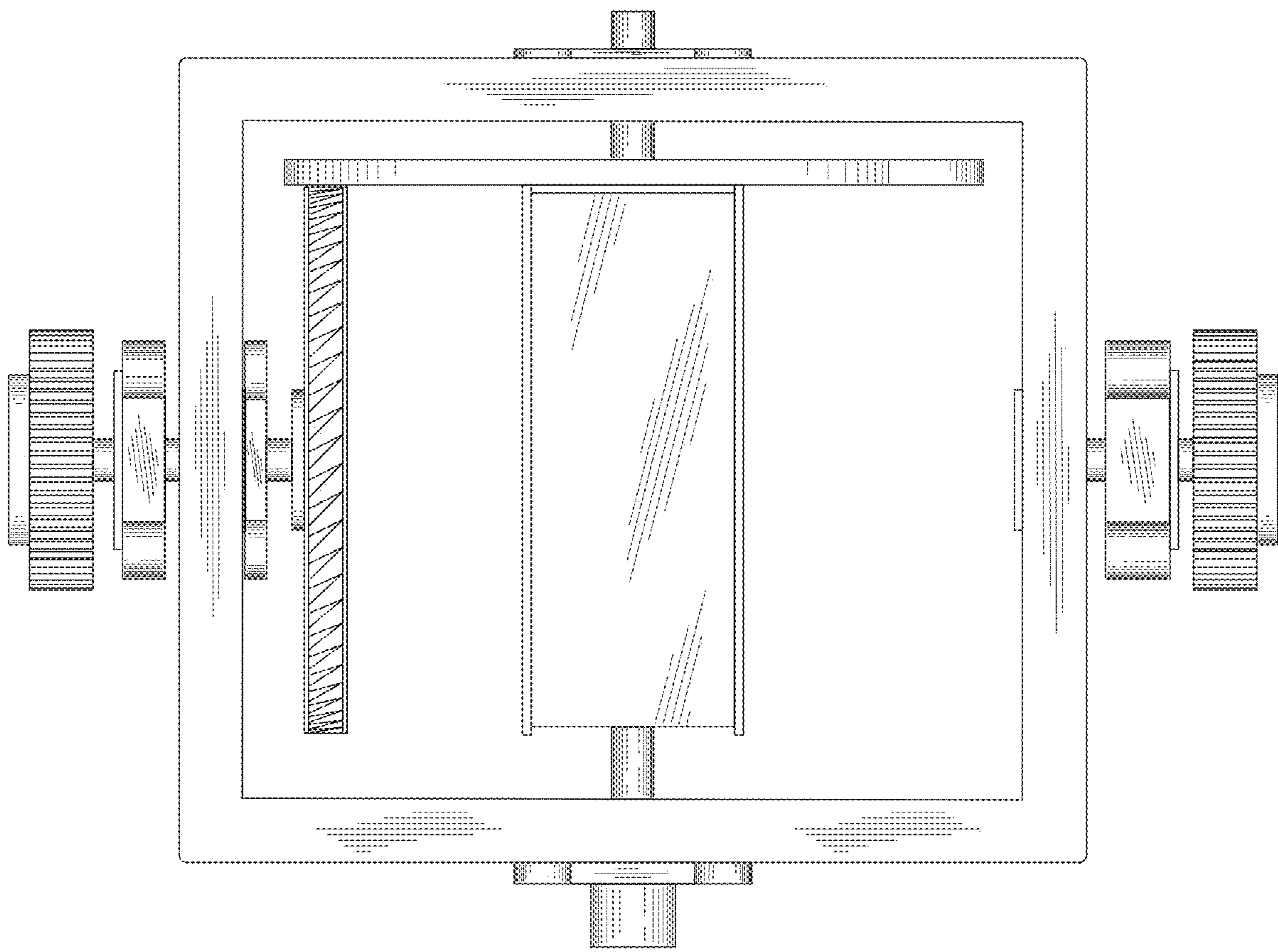


FIG.4

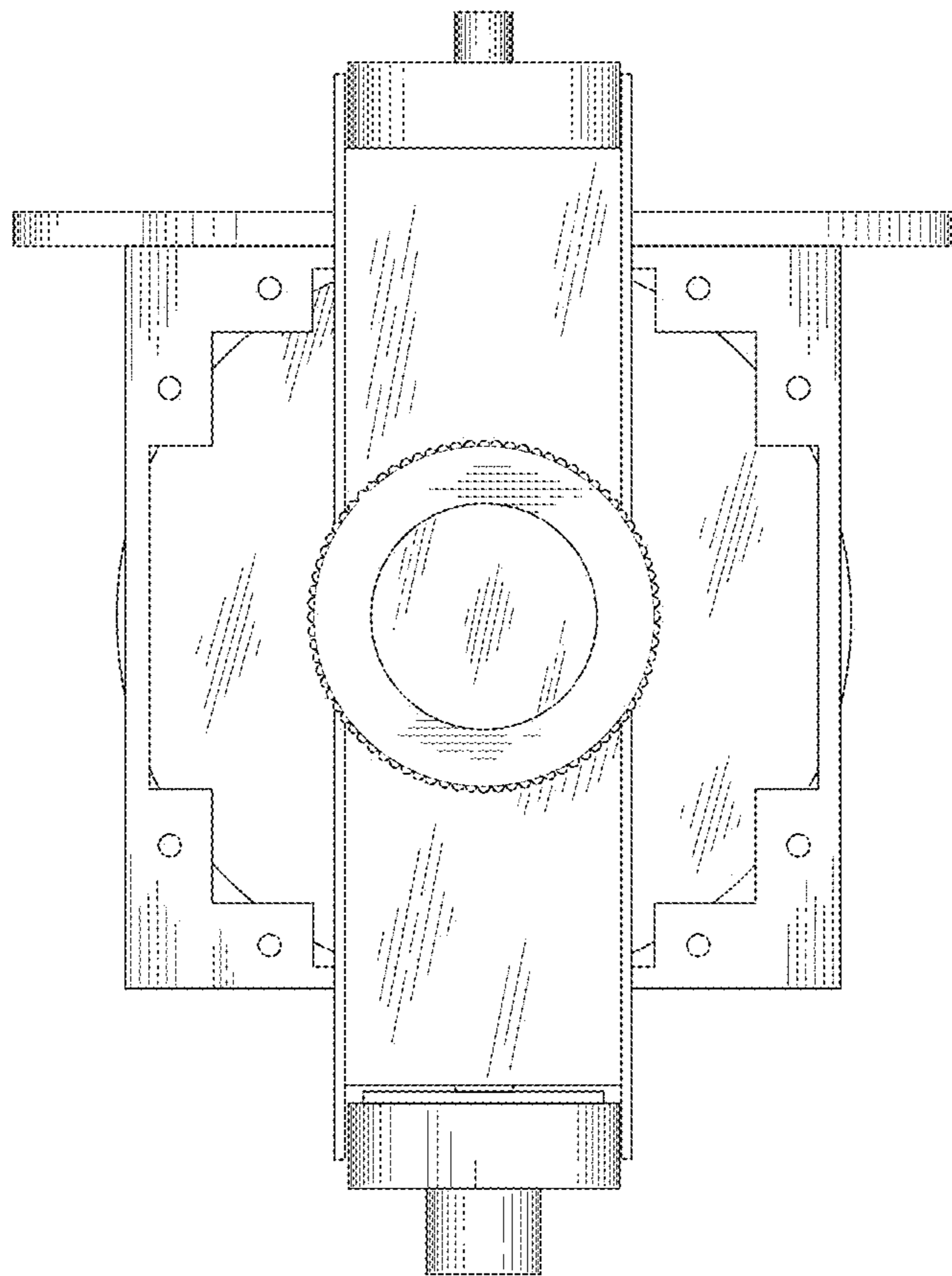


FIG.5

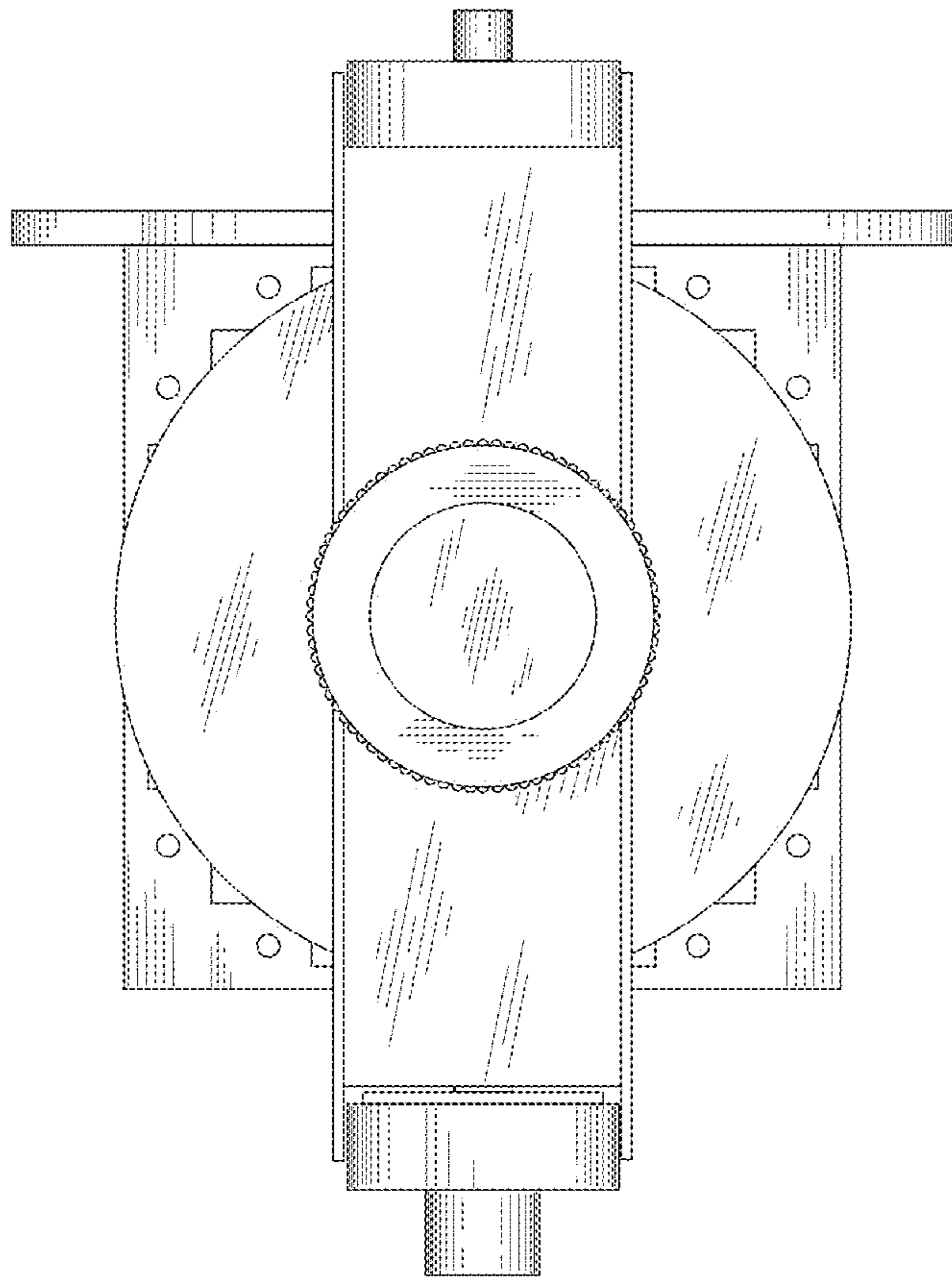


FIG.6



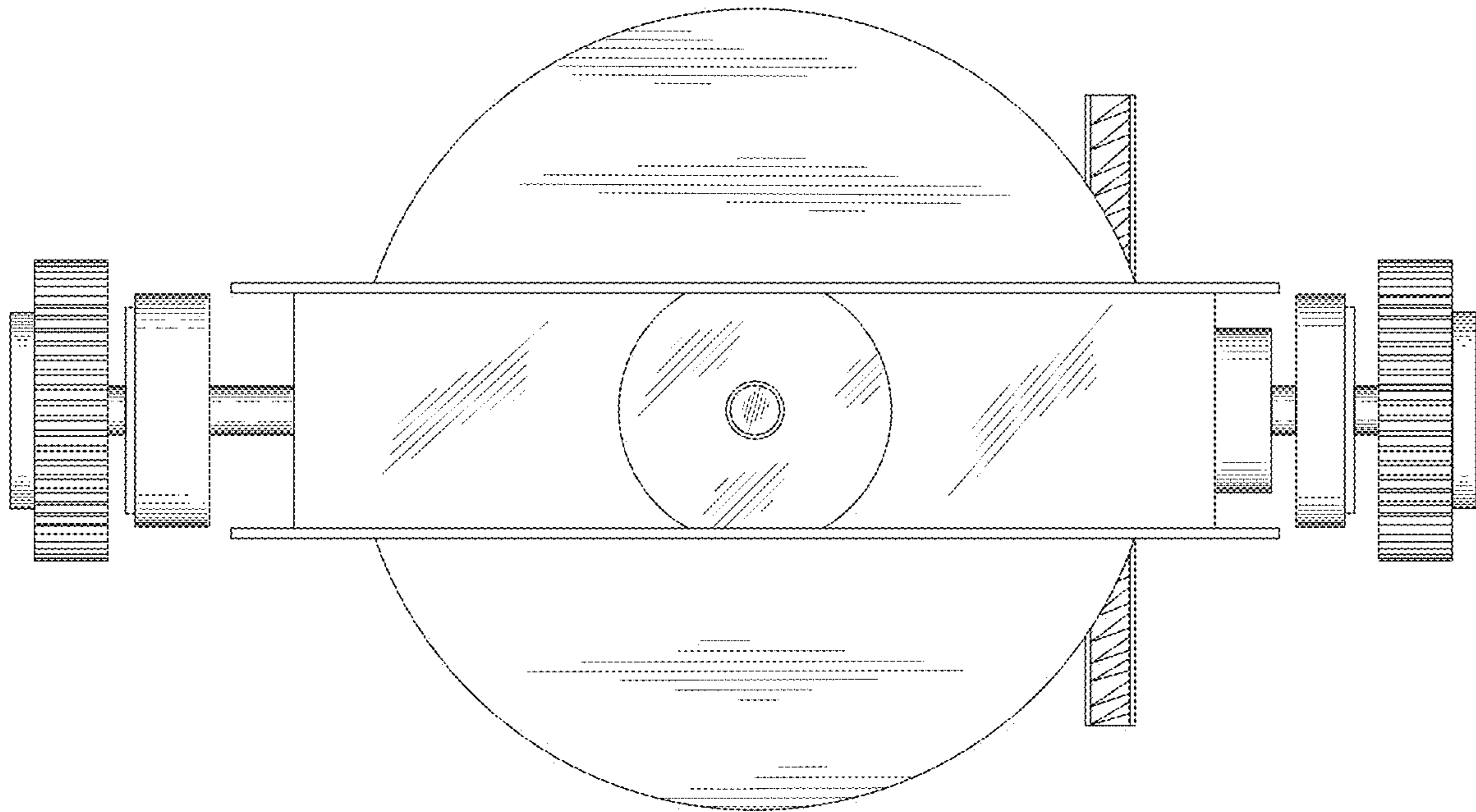


FIG. 7

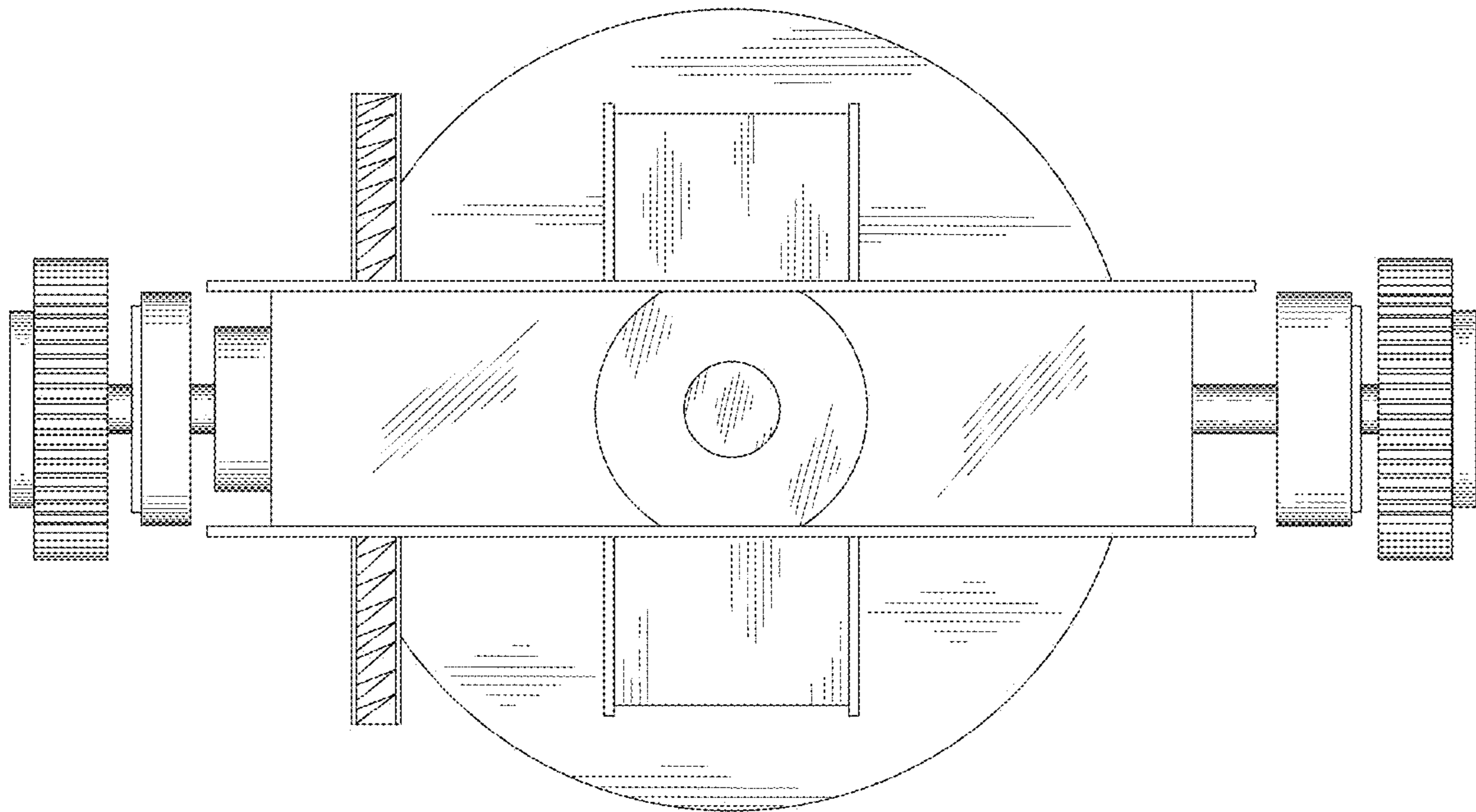


FIG. 8