



US00D898782S

(12) **United States Design Patent**
Wagner

(10) **Patent No.: US D898,782 S**

(45) **Date of Patent: ** Oct. 13, 2020**

- (54) **COMBINE HARVESTER**
- (71) Applicant: **CLAAS KGaA mbH**, Harsewinkel (DE)
- (72) Inventor: **Thomas Wagner**, Guetersloh (DE)
- (73) Assignee: **CLAAS KGaA mbH**, Harsewinkel (DE)
- (**) Term: **15 Years**
- (21) Appl. No.: **29/704,916**
- (22) Filed: **Sep. 9, 2019**
- (51) **LOC (12) Cl. 15-03**
- (52) **U.S. Cl.**
USPC **D15/26**
- (58) **Field of Classification Search**
USPC D15/10-12, 22-26, 28; 56/14.5-14.7, 56/16.6, 122-125; 296/190, 191; 460/83, 119; 180/89.1, 89.12
CPC A01B 73/00; A01D 75/00; A01D 41/06; A01D 41/1208; A01D 41/00; A01D 67/00; A01D 45/00; A01D 45/02; A01D 45/021; A01D 43/081
See application file for complete search history.

- D717,345 S * 11/2014 Budde D15/26
- 9,526,202 B2 * 12/2016 Hiddema A01M 7/0085
- D797,813 S * 9/2017 Budde D15/26
- 9,883,668 B2 * 2/2018 Hiddema A01M 7/0014
- D838,295 S * 1/2019 Schwalbe D15/26
- 2006/0254237 A1 * 11/2006 Ricketts A01D 69/03 56/14.6
- 2011/0147497 A1 * 6/2011 Hiddema A01M 7/0014 239/722
- 2016/0374327 A1 * 12/2016 Hiddema A01M 7/0085 239/160

* cited by examiner

Primary Examiner — Mark A Goodwin

(74) *Attorney, Agent, or Firm* — Collard & Roe, P.C.

(57) **CLAIM**

The ornamental design for a combine harvester, as shown and described.

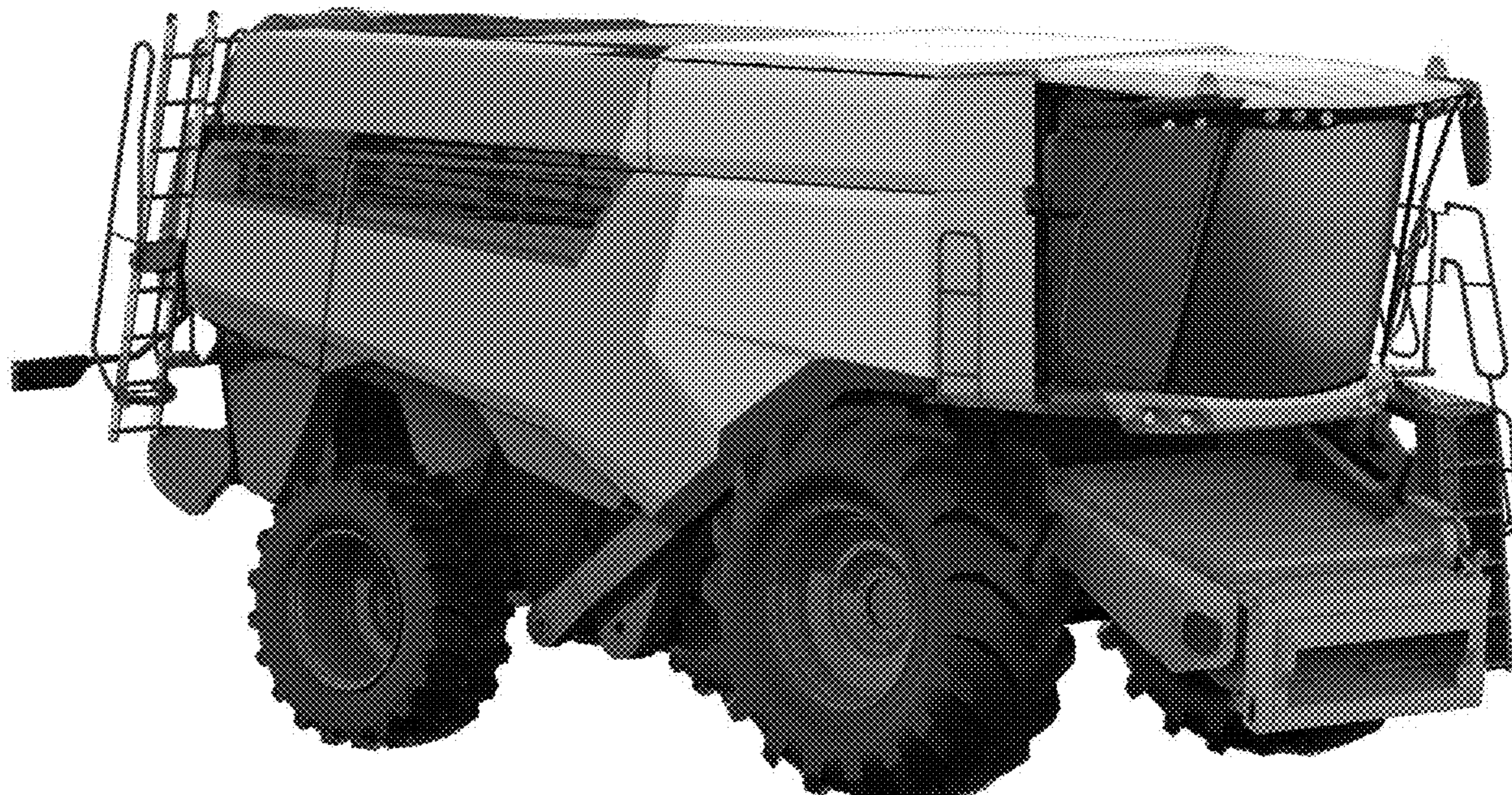
DESCRIPTION

The patent or application file contains a least one drawing executed in color. Copies of this patent or patent application publication with color drawing(s) will be provided by the Office upon request and payment of the necessary fee.

FIG. 1 is a rear and right side perspective view of a combine harvester, showing my new design;
FIG. 2 is a left side view thereof;
FIG. 3 is a rear and left side perspective view thereof;
FIG. 4 is a front and left side perspective view thereof;
FIG. 5 is a front and right side perspective view thereof;
FIG. 6 is right side view thereof;
FIG. 7 is a front view thereof; and,
FIG. 8 is a rear view thereof.

1 Claim, 8 Drawing Sheets
(8 of 8 Drawing Sheet(s) Filed in Color)

- (56) **References Cited**
U.S. PATENT DOCUMENTS
3,384,232 A * 5/1968 Turnbull B62D 33/0617 209/11
D245,420 S * 8/1977 Maucher D15/26
D300,221 S * 3/1989 Odahara D15/24
D309,738 S * 8/1990 Schober D15/26
D566,138 S * 4/2008 Forkert D15/27
D639,826 S * 6/2011 Barreilmeyer D15/26



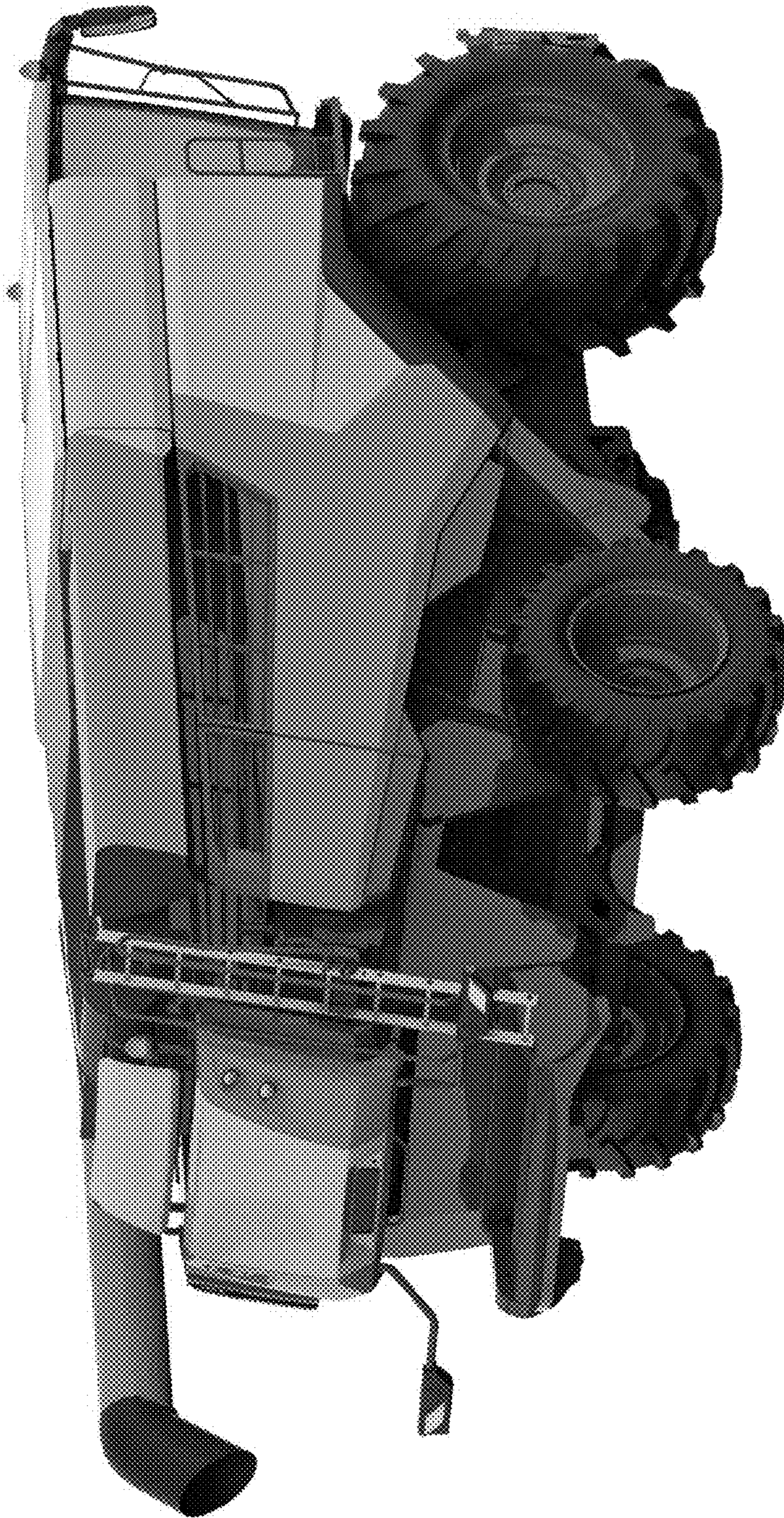


FIG. 1

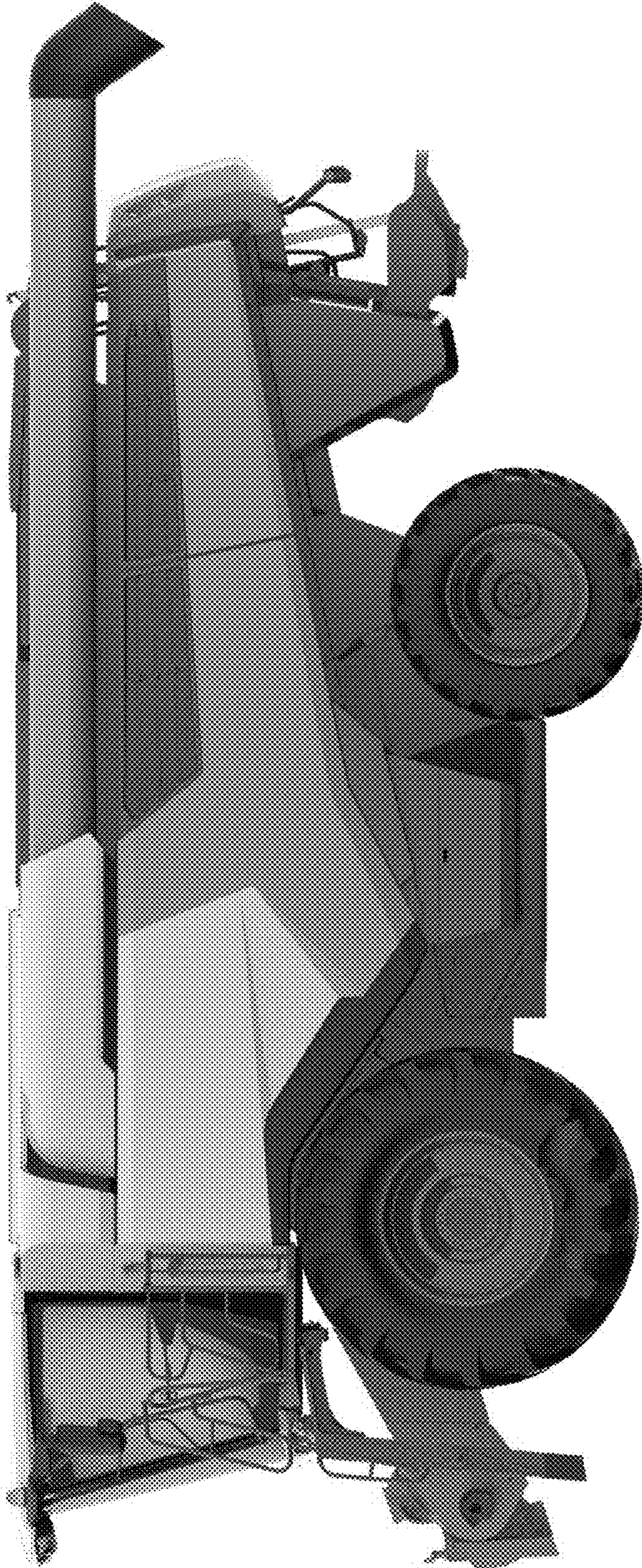


FIG. 2

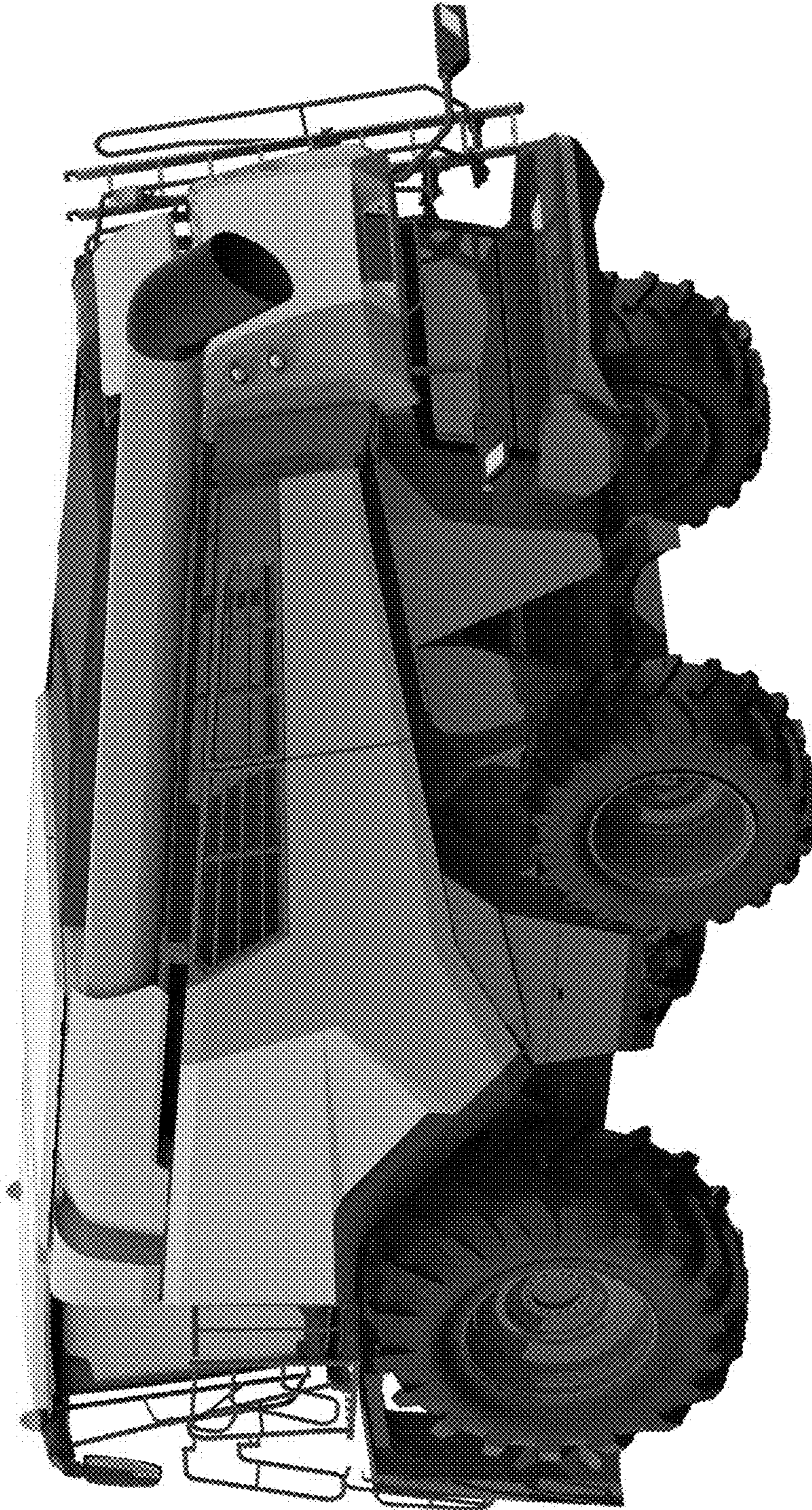


FIG. 3

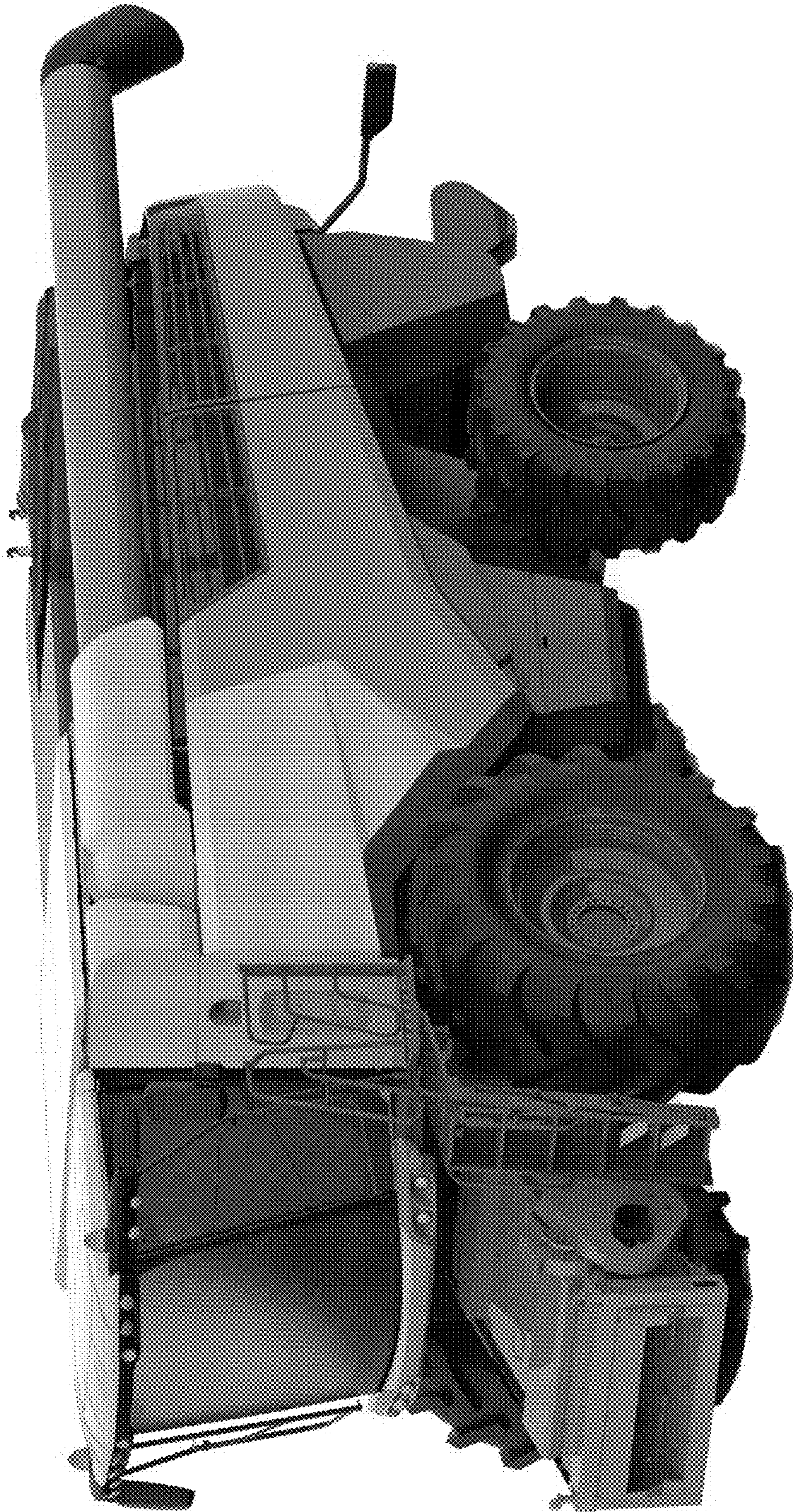


FIG. 4

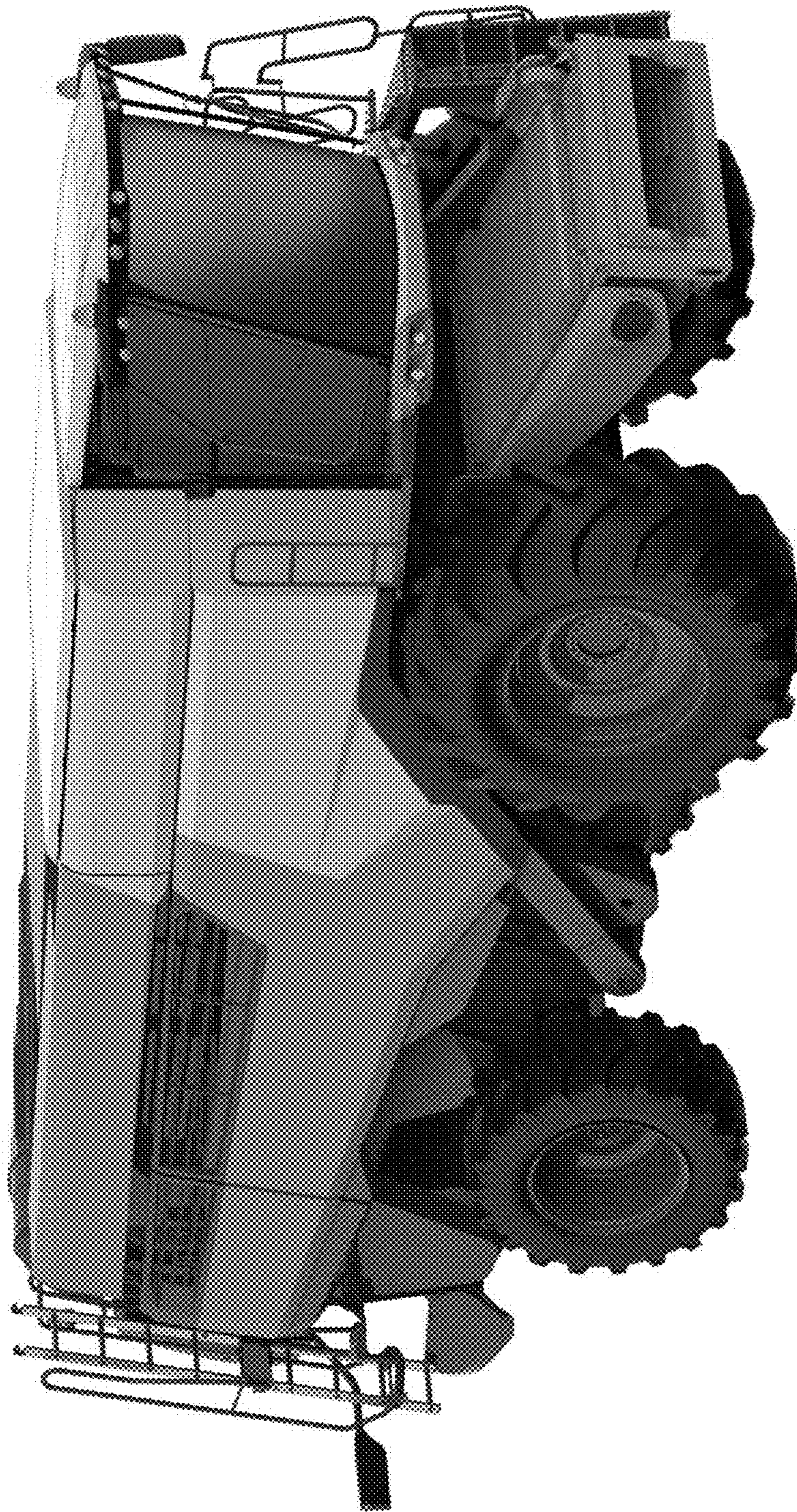


FIG. 5

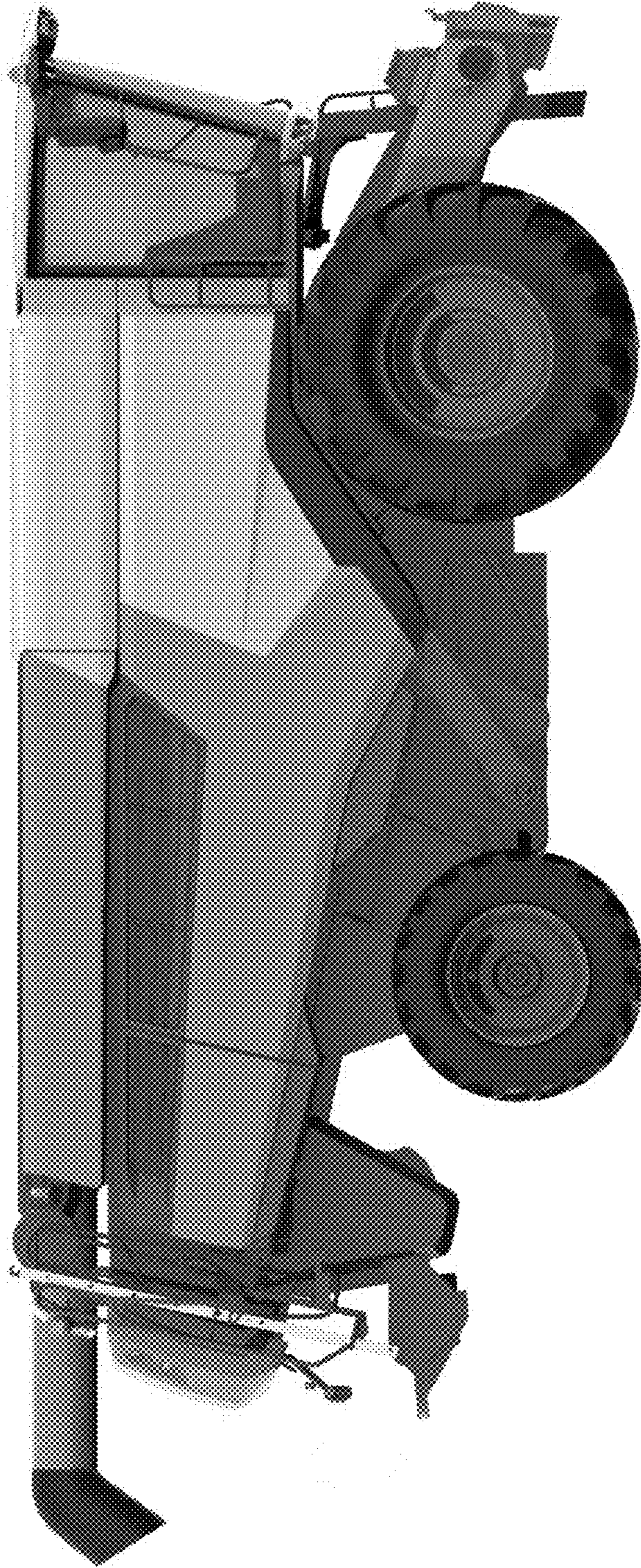


FIG. 6

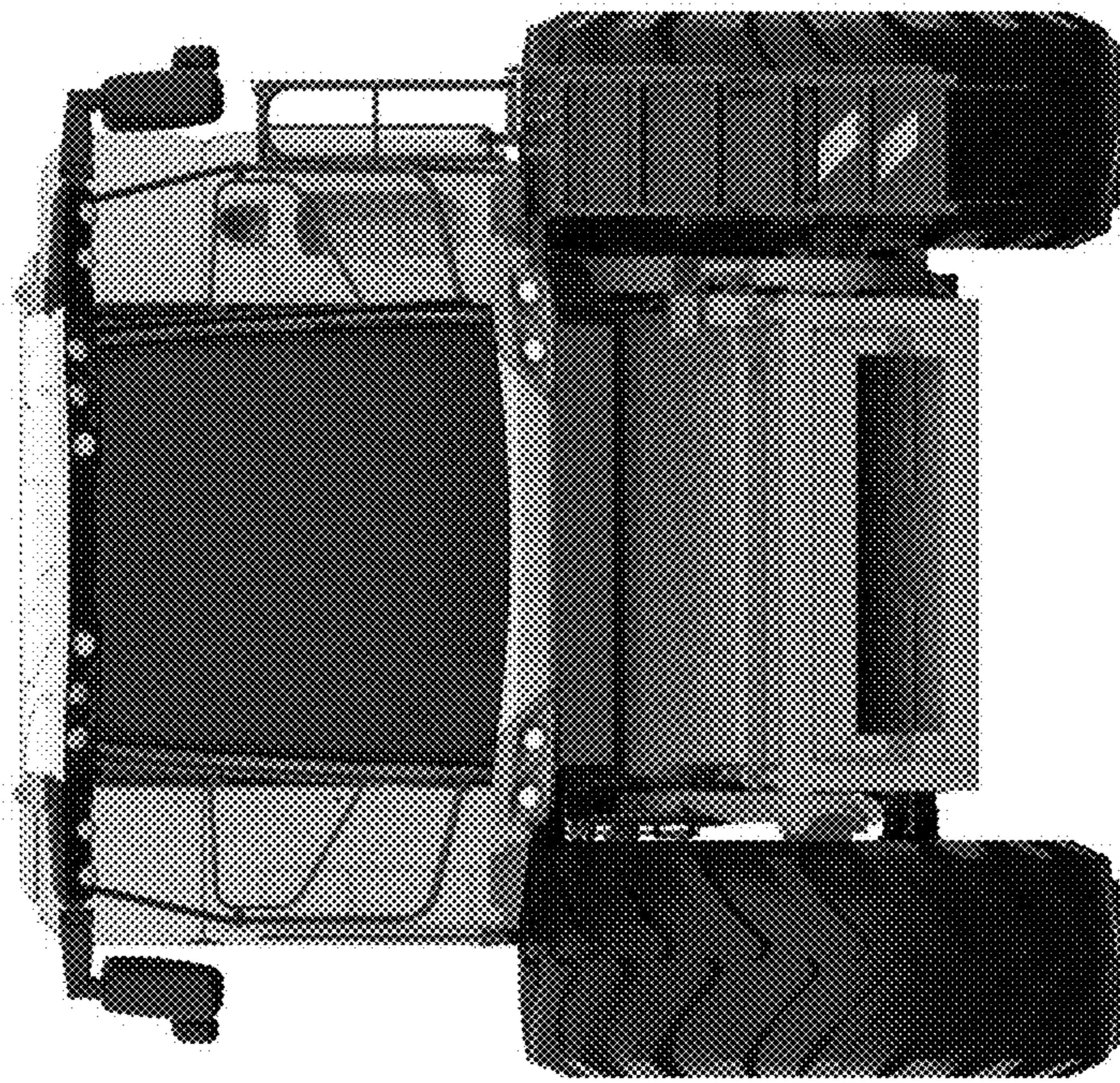


FIG. 7

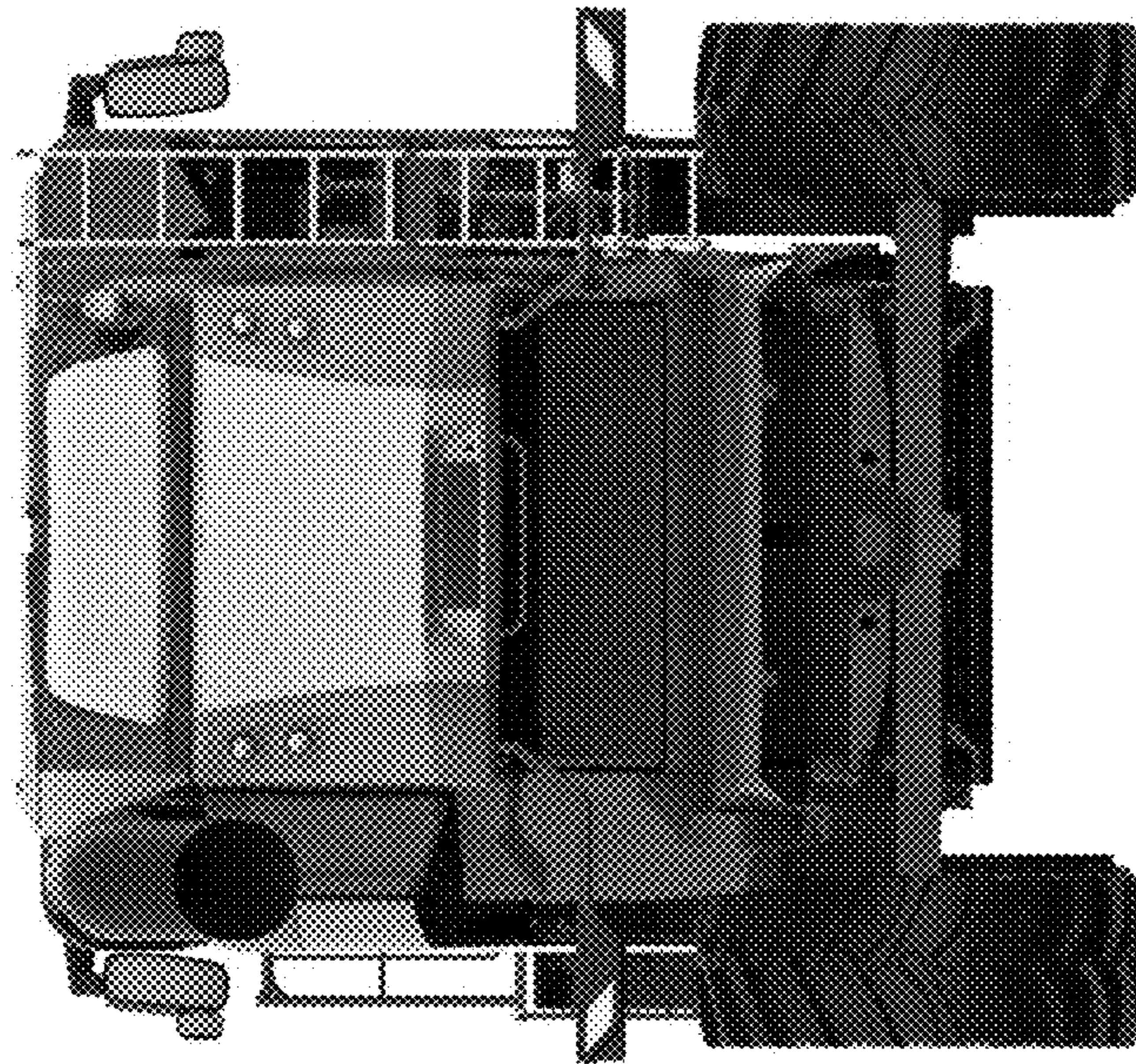


FIG. 8