



US00D898781S

(12) **United States Design Patent**  
**Kaneko**

(10) **Patent No.:** **US D898,781 S**

(45) **Date of Patent:** **\*\* Oct. 13, 2020**

(54) **TRACTOR**

(71) Applicant: **KUBOTA CORPORATION**, Osaka  
(JP)

(72) Inventor: **Tomonori Kaneko**, Osaka (JP)

(73) Assignee: **Kubota Corporation**, Osaka (JP)

(\*\*) Term: **15 Years**

(21) Appl. No.: **35/506,569**

(22) Filed: **Dec. 19, 2018**

(80) **Hague Agreement Data**

Int. Filing Date: **Dec. 19, 2018**

Int. Reg. No.: **DM/200528**

Int. Reg. Date: **Dec. 19, 2018**

Int. Reg. Pub. Date: **Apr. 12, 2019**

(51) **LOC (12) Cl.** ..... **12-09**

(52) **U.S. Cl.**

USPC ..... **D15/23**

CPC ..... **B62D 49/00** (2013.01)

(58) **Field of Classification Search**

USPC ..... D15/10-30

CPC .... B62D 49/00; B62D 49/06; B62D 49/0671;  
B62D 49/0692; B62D 33/06; B62D  
33/0617

See application file for complete search history.

(56) **References Cited**

**U.S. PATENT DOCUMENTS**

- D312,465 S \* 11/1990 Yaguchi ..... D15/23
- D378,755 S \* 4/1997 Kato ..... D15/15
- D438,546 S \* 3/2001 Katoh ..... D15/23
- D501,487 S \* 2/2005 Katoh ..... D15/23
- D526,335 S \* 8/2006 Kuwae ..... D15/23
- D537,454 S \* 2/2007 Higashikawa ..... D15/23
- D553,159 S \* 10/2007 Higashikawa ..... D15/15
- D558,797 S \* 1/2008 Yamamoto ..... D15/23
- D720,369 S \* 12/2014 Furukawa ..... D15/23

- D749,144 S \* 2/2016 Higashikawa ..... D15/23
- D759,128 S \* 6/2016 Yang ..... D15/23
- D777,214 S \* 1/2017 Moritaka ..... D15/23
- D777,215 S \* 1/2017 Moritaka ..... D15/23
- D777,798 S \* 1/2017 Yetkin ..... D15/23
- D784,422 S \* 4/2017 Okuyama ..... D15/23
- D785,050 S \* 4/2017 Okuyama ..... D15/23
- D785,051 S \* 4/2017 Okuyama ..... D15/23
- D786,941 S \* 5/2017 Kushita ..... D15/26

(Continued)

**FOREIGN PATENT DOCUMENTS**

JP D1563064 S 11/2016

*Primary Examiner* — Richard E Chilcot

(74) *Attorney, Agent, or Firm* — The Webb Law Firm

(57) **CLAIM**

The ornamental design for tractor, as shown and described.

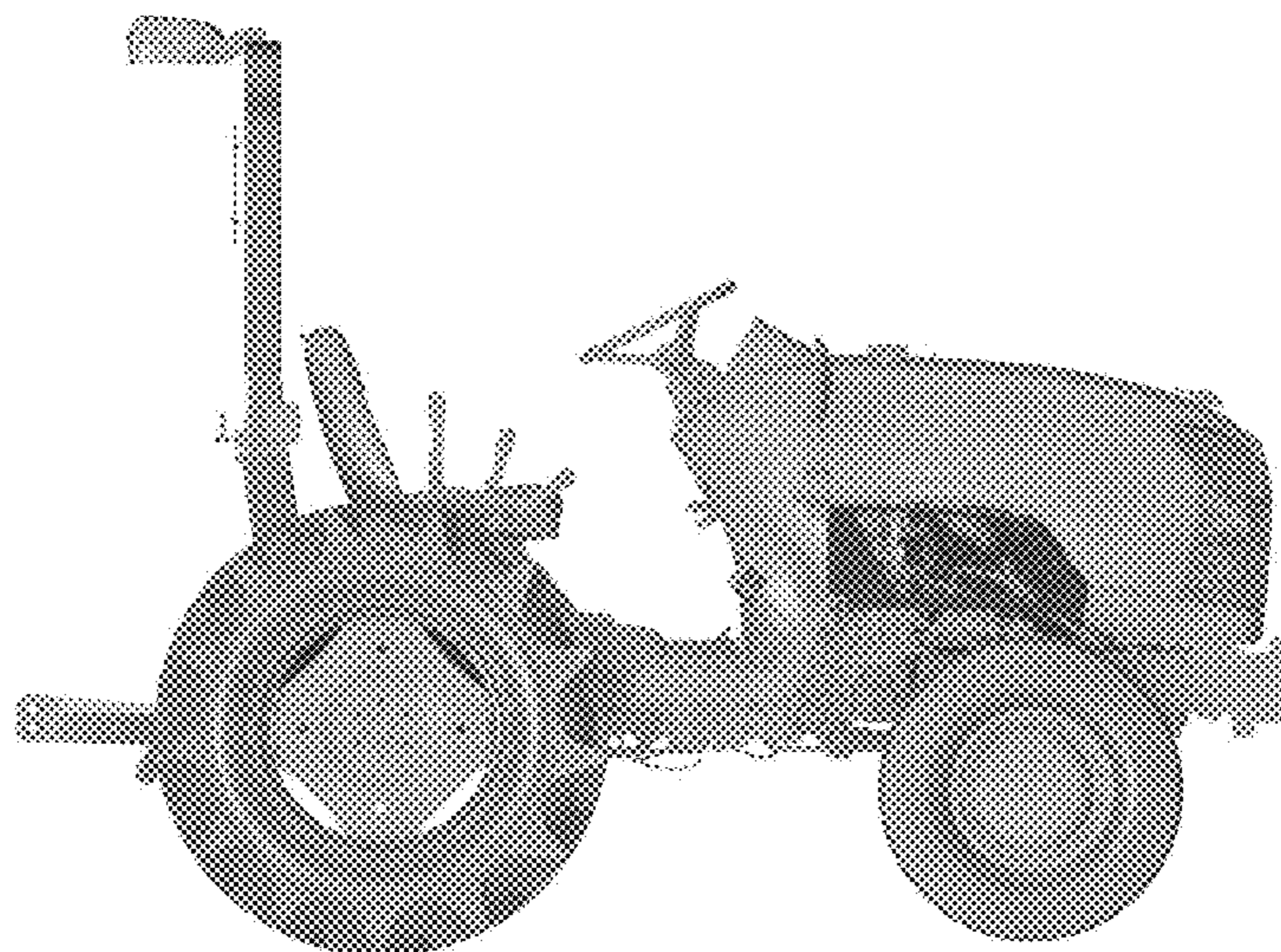
**DESCRIPTION**

The patent or application file contains at least one drawing executed in color. Copies of this patent or patent application publication with color drawing(s) will be provided by the Office upon request and payment of the necessary fee.

- 1. Tractor
- 1.1 : Right side view
- 1.2 : Left side view
- 1.3 : Rear view
- 1.4 : Front view
- 1.5 : Top view
- 1.6 : Perspective view
- 1.7 : Partial enlarged front view
- 1.8 : Partial enlarged left view
- 1.9 : Partial enlarged top view
- 1.10 : Partial enlarged perspective view

The portion colored with gold (yellow and orange) forms no part of the claimed design; a bottom view is omitted because it is plain and unornamental and forms no part of the subject matter of the claimed design.

**1 Claim, 10 Drawing Sheets**  
**(10 of 10 Drawing Sheet(s) Filed in Color)**



(56)

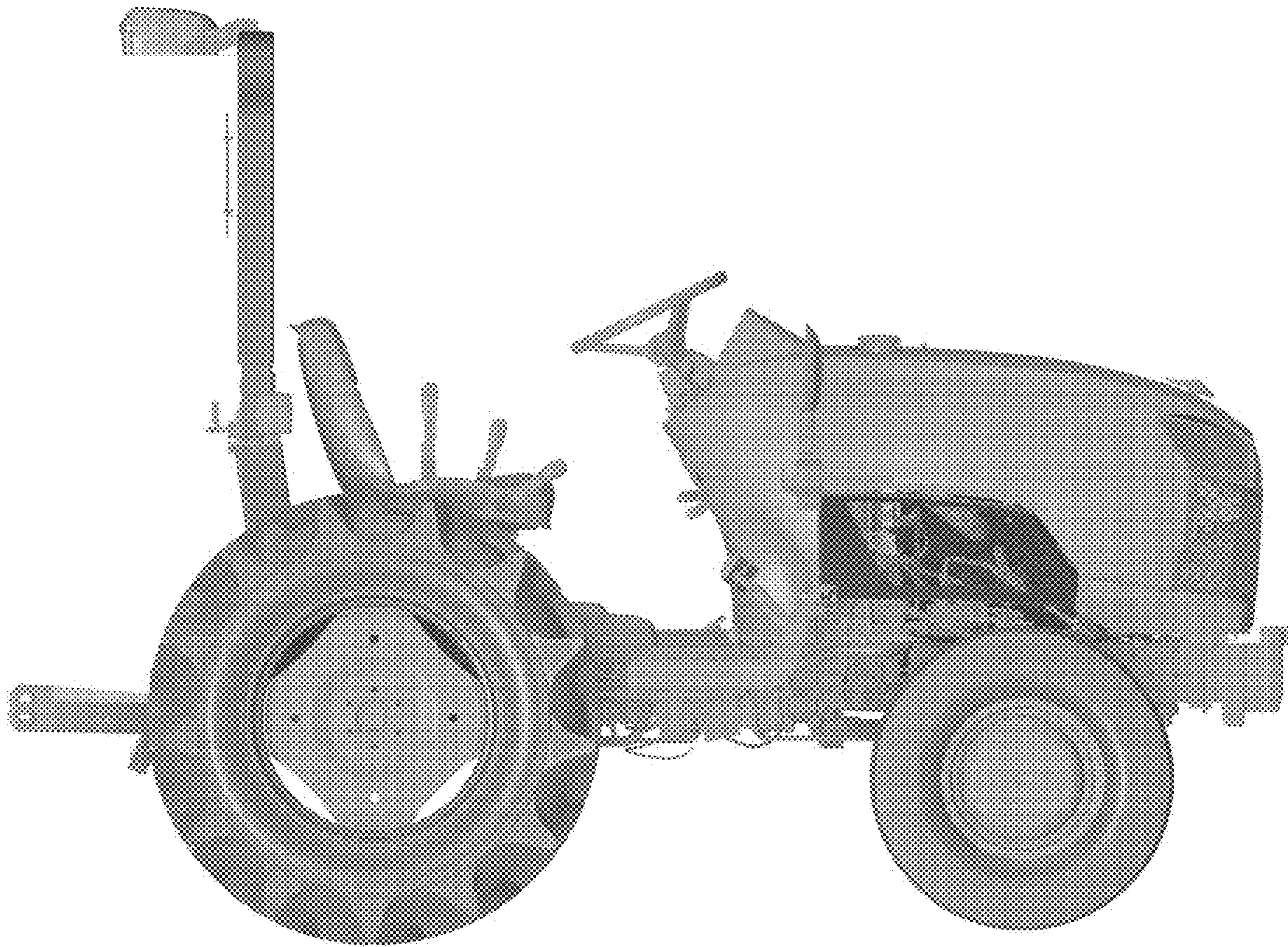
**References Cited**

U.S. PATENT DOCUMENTS

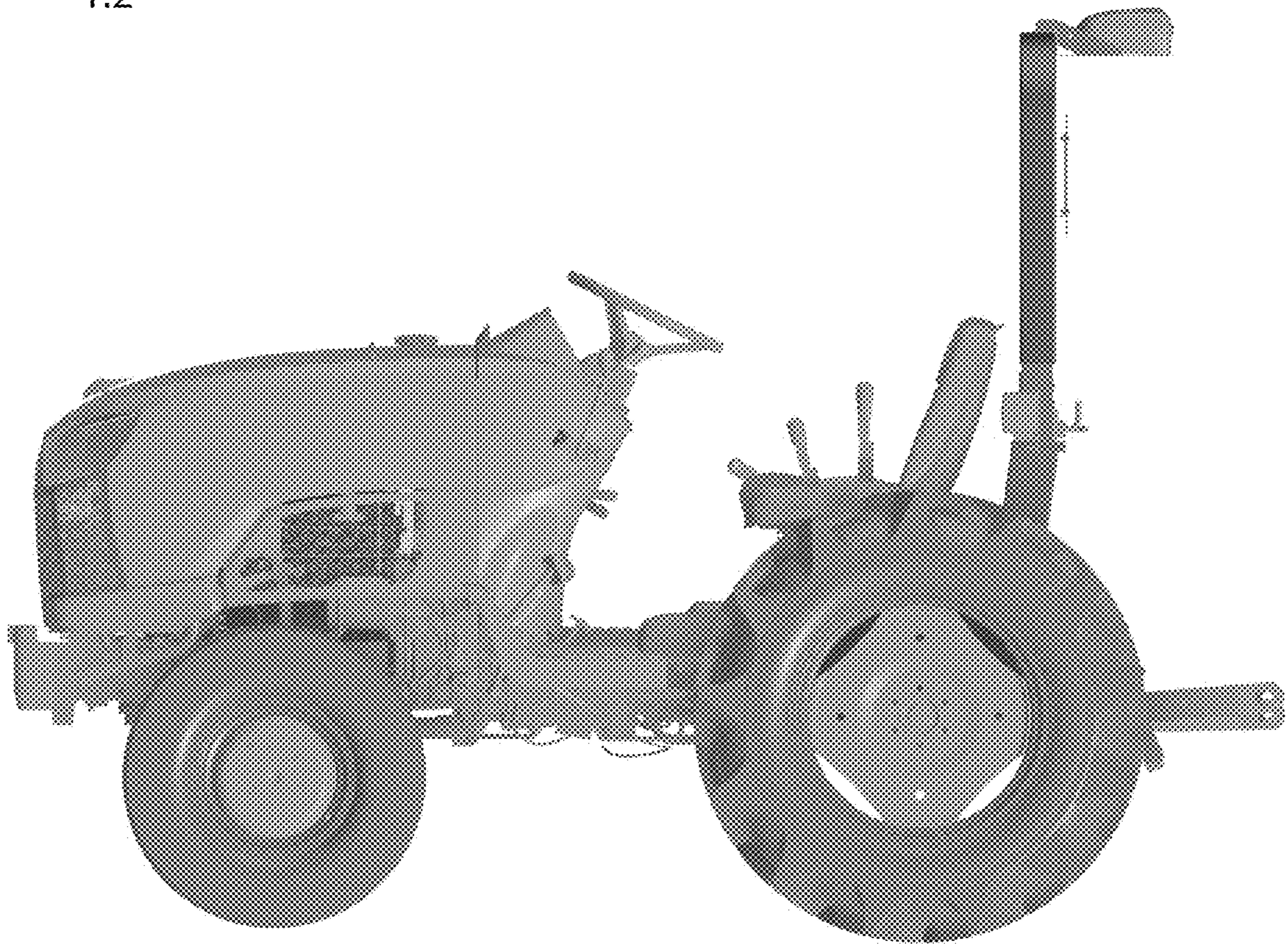
D816,125 S \* 4/2018 Galib ..... D15/23  
D855,665 S \* 8/2019 Futagami ..... D15/33

\* cited by examiner

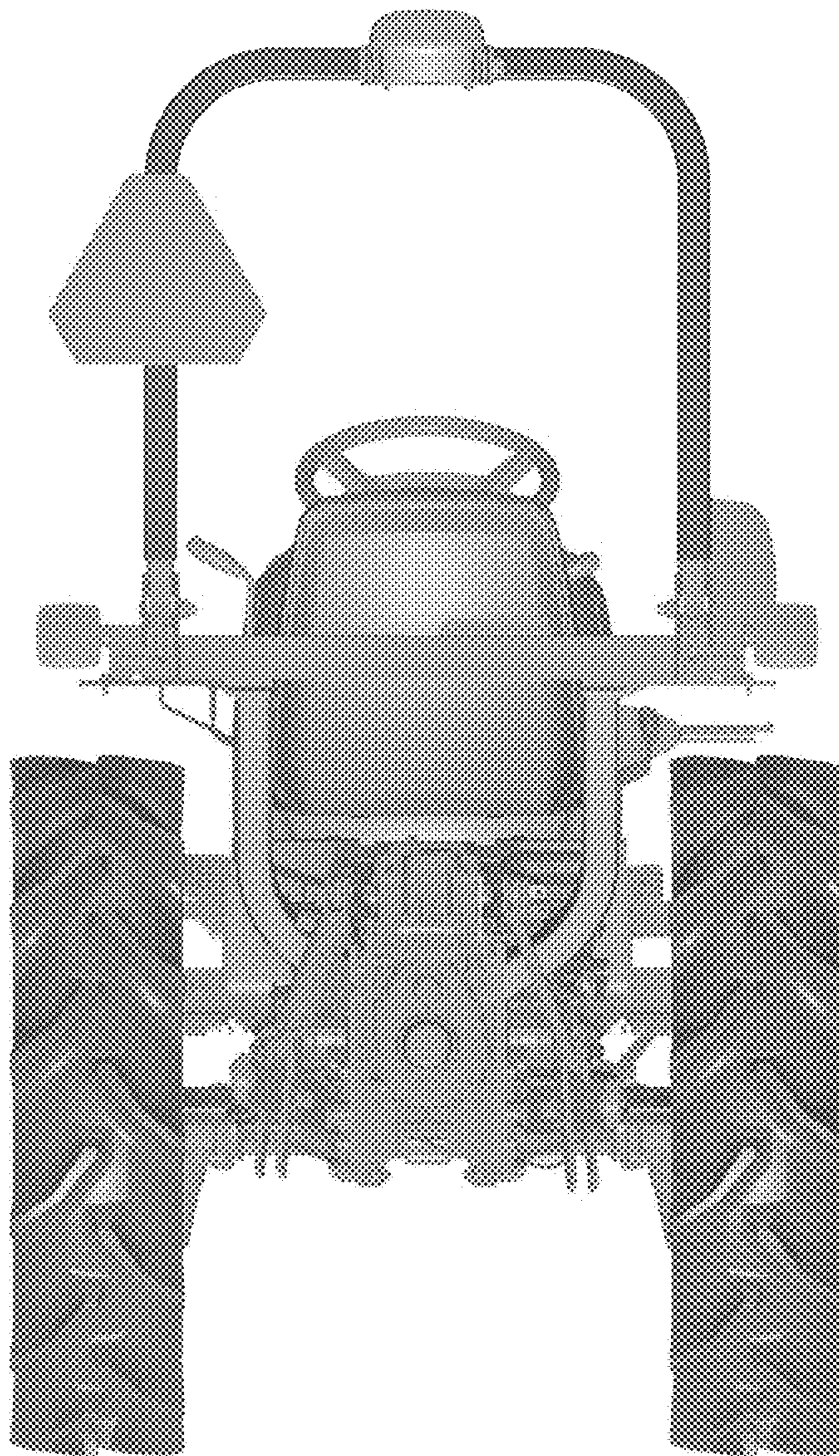
1.1



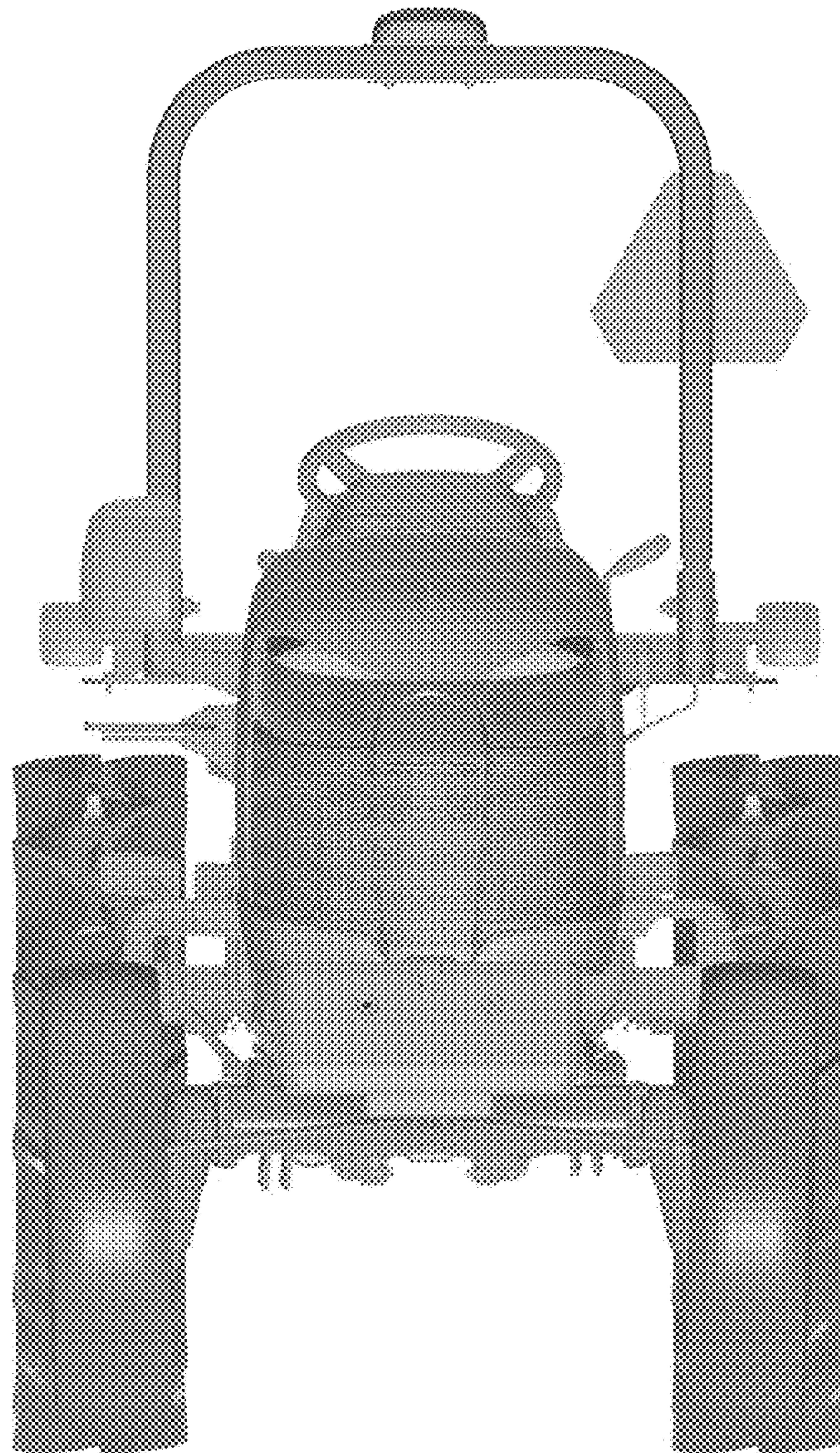
1.2



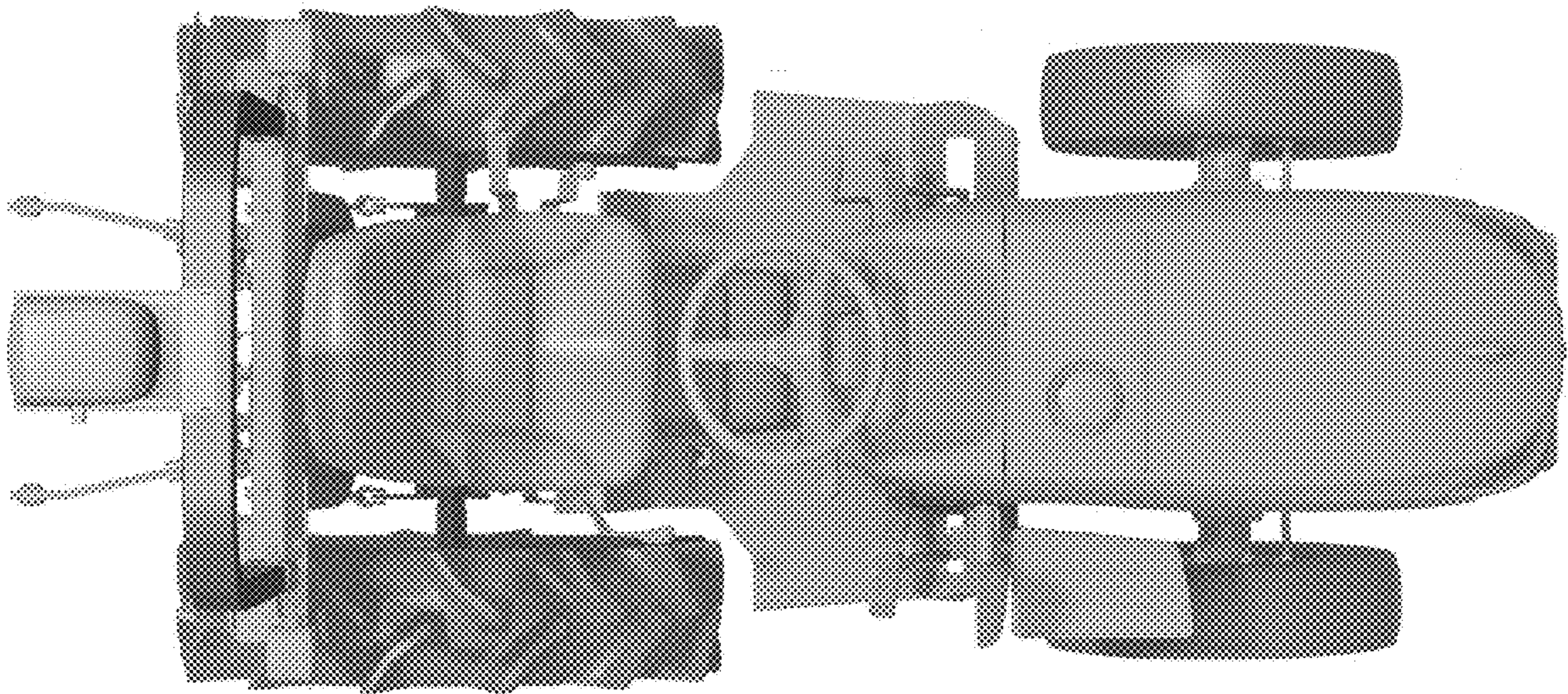
1.3



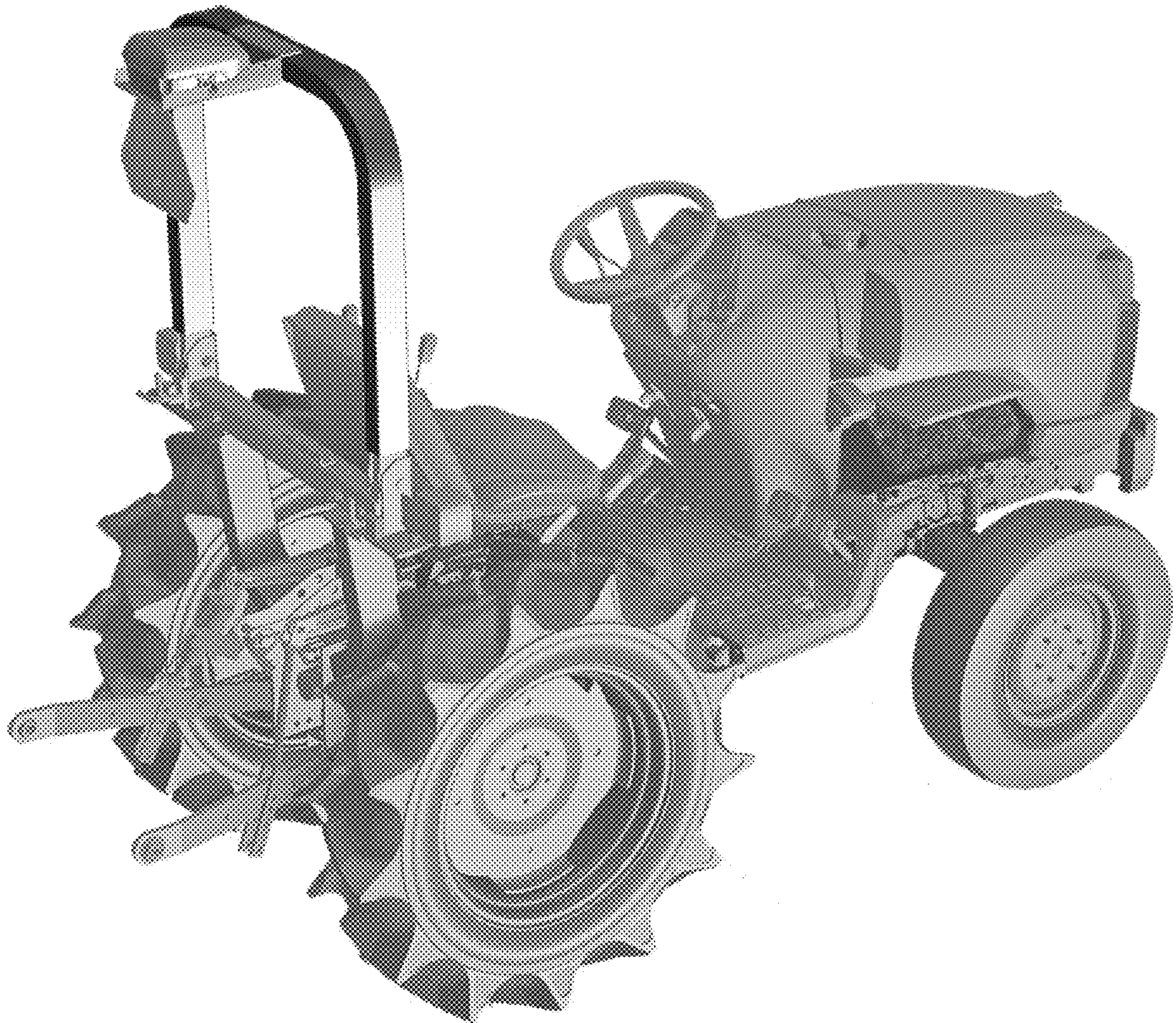
1.4



1.5

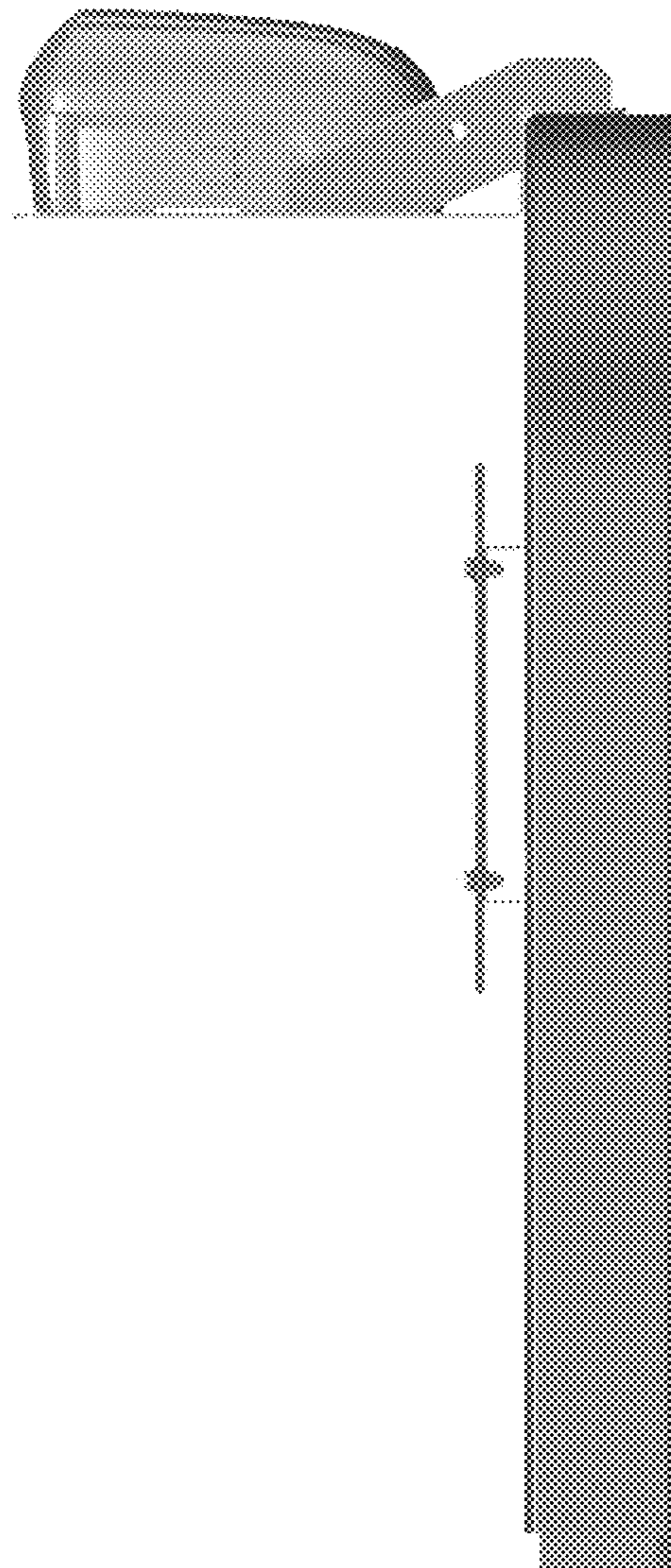


1.6

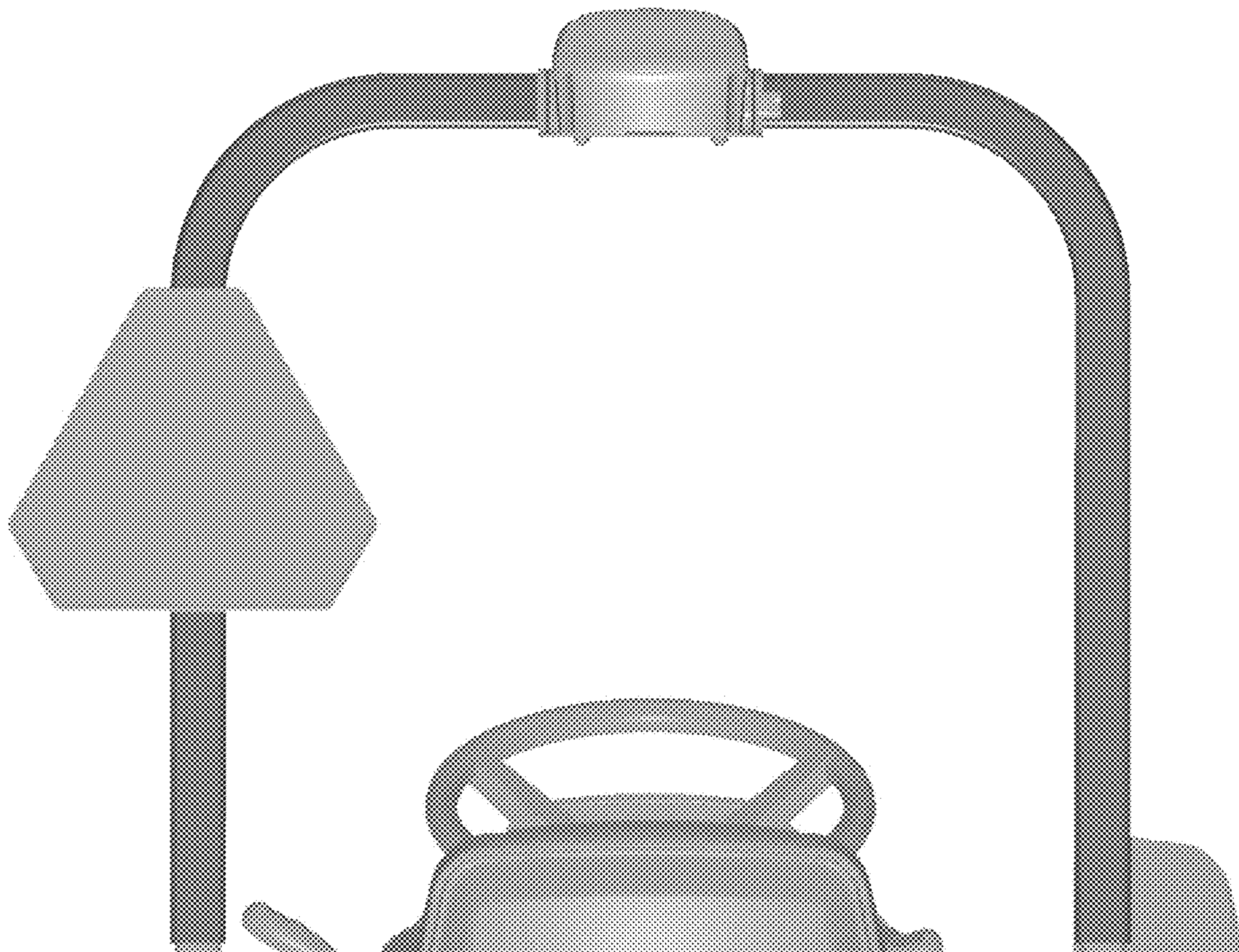




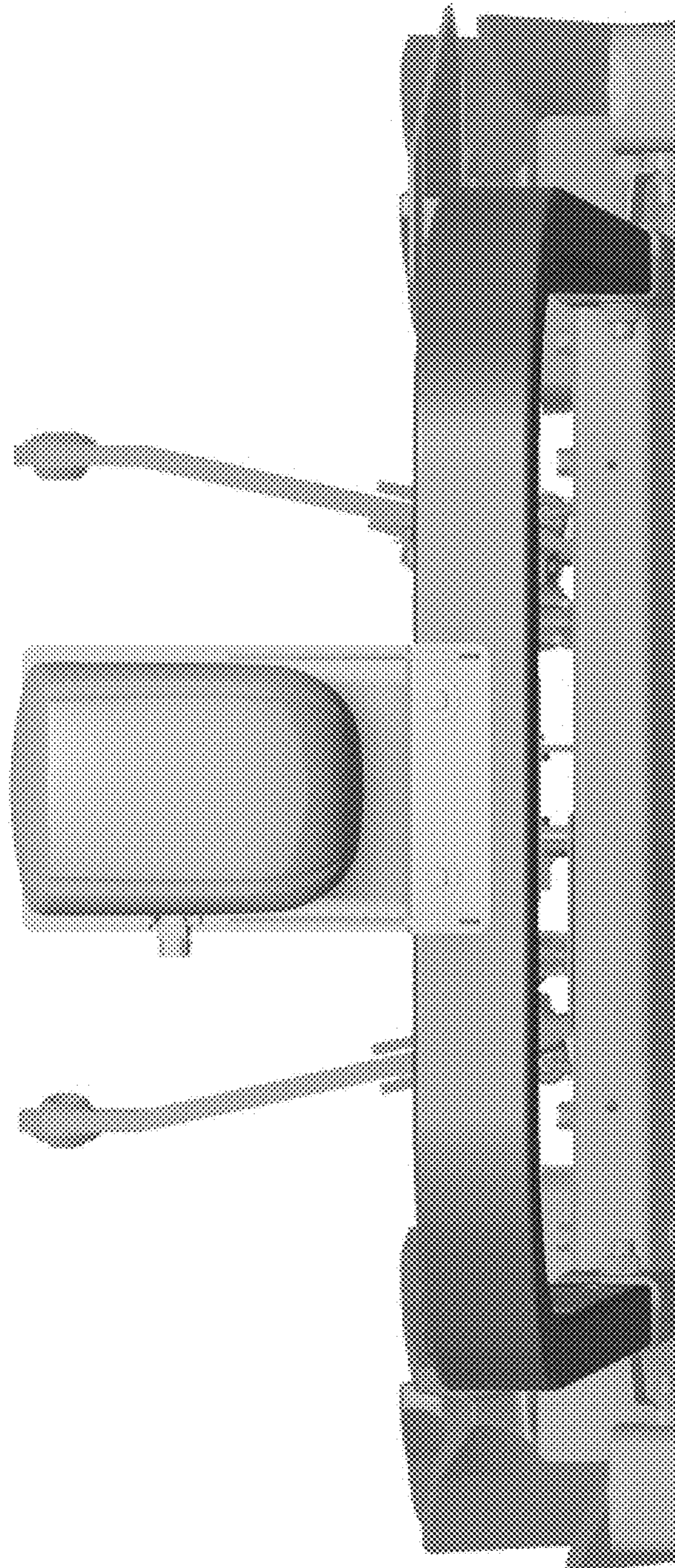
1.7



1.8



1.9



1.10

