



US00D898779S

(12) **United States Design Patent** (10) **Patent No.:** **US D898,779 S**
Brandt et al. (45) **Date of Patent:** **** Oct. 13, 2020**

(54) **SLOPE MOWER**
(71) Applicant: **Embankscape Equipment LLC**,
Suamico, WI (US)
(72) Inventors: **Michael D. Brandt**, Suamico, WI (US);
Thomas V. Dault, Jr., West Branch, MI
(US); **Jason D. Lopez**, Shawano, WI
(US)
(73) Assignee: **Embankscape Equipment LLC**,
Suamico, WI (US)

D363,495 S * 10/1995 Good D15/15
D380,761 S * 7/1997 Saylor D15/15
D394,662 S * 5/1998 Grow D15/17
D424,071 S * 5/2000 Bickford D15/17
D435,564 S * 12/2000 Klasson D15/17
D538,302 S * 3/2007 Higashikawa D15/15
D566,136 S * 4/2008 Green D15/14
D569,392 S * 5/2008 Lonergan D15/27
D602,504 S * 10/2009 Lees D15/16
7,677,344 B2 3/2010 Medina et al.
D674,816 S * 1/2013 Higashikawa D15/15
D715,329 S * 10/2014 Higashikawa D15/15

(Continued)

(**) Term: **15 Years**
(21) Appl. No.: **29/696,471**
(22) Filed: **Jun. 27, 2019**
(51) **LOC (12) Cl.** **15-03**
(52) **U.S. Cl.**
USPC **D15/17; D15/14**
(58) **Field of Classification Search**
USPC D15/28, 22-26, 14-18, 31, 33; D12/181,
D12/184, 196; 296/198; 280/160, 847,
280/154, 854; 180/68.1, 900, 69.21,
180/69.22, 69.23, 69.24, 69.25, 89.1,
180/69.2, 89.12, 89.19, 273, 68.6;
56/16.1, 13.3, 15.9, 16.7, 17.4, 202, 255,
56/320.1, 13.4, 15.8, 294, 320.2
CPC .. B62D 25/161; B62D 25/168; B62D 25/182;
B62D 25/18; B62D 25/16; A01D 75/28;
A01D 67/00; A01D 69/00
See application file for complete search history.

(56) **References Cited**

U.S. PATENT DOCUMENTS

D261,889 S * 11/1981 Ciccì D15/26
4,926,621 A * 5/1990 Torras A01D 75/30
280/494
D344,738 S * 3/1994 Young D15/27
D362,447 S * 9/1995 Lamb D15/15

OTHER PUBLICATIONS

“Built for All You Do” brochure by Steiner, 2015, 11 pages.
(Continued)

Primary Examiner — Mark A Goodwin
(74) *Attorney, Agent, or Firm* — Northwind IP Law, S.C.;
Stephen C. Jensen

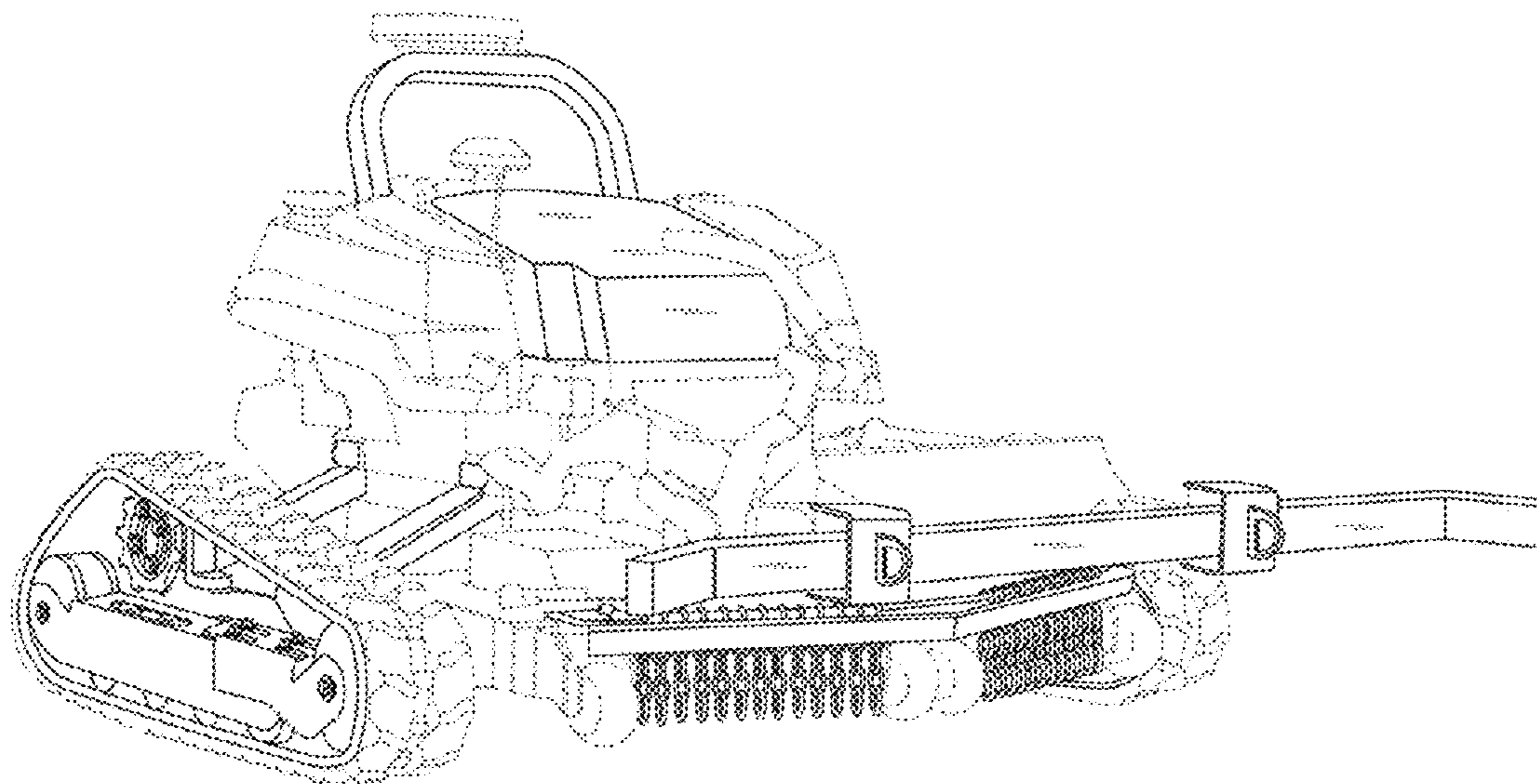
(57) **CLAIM**

The ornamental design for a slope mower, as shown and described.

DESCRIPTION

FIG. 1 is a perspective view of a slope mower showing our new design;
FIG. 2 is a front perspective view thereof;
FIG. 3 is a back perspective view thereof;
FIG. 4 is a right-side perspective view thereof;
FIG. 5 is a left-side perspective view thereof;
FIG. 6 is a top perspective view thereof; and,
FIG. 7 is a bottom plan view thereof.
The broken lines in the figures represent environment in which the new design may be embodied, and form no part of the claimed design. Any shading in the figures is provided to illustrate contour only, and is not an indication of texture, gloss, etc.

1 Claim, 7 Drawing Sheets



(56)

References Cited

U.S. PATENT DOCUMENTS

D718,793	S	*	12/2014	Gur	D15/14
D789,423	S	*	6/2017	Shi	D15/15
D789,993	S	*	6/2017	Shi	D15/14
D866,609	S	*	11/2019	Long	D15/15
D866,610	S	*	11/2019	Long	D15/15
2003/0108414	A1	*	6/2003	Walto	E02F 9/2004 414/685
2004/0244349	A1	*	12/2004	Meier	A01D 75/28 56/17.5
2005/0138911	A1	*	6/2005	Wilson	A01D 34/866 56/14.7
2012/0328401	A1	*	12/2012	Sieben	A01D 42/00 414/728

OTHER PUBLICATIONS

FireMaster FM72-88D brochure by kut kwick, undated but no later than Apr. 2019, 2 pages.
 Gravely 2019 Product Catalog, 2018, 33 pages.
 Green Climber F300 Pro brochure, undated but no later than Apr. 2019, 4 pages.
 Green Climber LV300 Pro brochure, undated but no later than Apr. 2019, 1 page.

Green Climber LV800 Pro brochure, undated but no later than Apr. 2019, 1 page.
 Green Climber LV600 brochure, undated but no later than Apr. 2019, 5 pages.
 Pro-Turn 200 brochure by Gravely, 2018, 2 pages.
 Ridge Runner brochure by Alamo, dated "Jun. 8, 2016", 2 pages.
 Ridge Runner brochure by Alamo, dated "Jun. 17, 2016", 12 pages.
 Robocut 2019 brochure, Jan. 2019, 19 pages.
 Slope Solution ATM 72LC brochure by Harper Turf Equipment, undated but no later than Apr. 2019, 2 pages.
 Spider brochure by Dvorak, undated but no later than Apr. 2013, 20 pages.
 Super SlopeMaster SSM-36-720 brochure by kut kwick, undated but no later than Apr. 2019, 2 pages.
 The Kut Kwick Brushmaster BM72-88D brochure by kut kwick, undated but no later than Apr. 2019, 2 pages.
 The MegaSlopeMaster MSM72-88D brochure by kut kwick, undated but no later than Apr. 2019, 2 pages.
 TRAXXRF brochure by Alamo Industrial, dated "Mar. 28, 2014", 2 pages.
 TRAXXRF brochure by Alamo Industrial, dated "Dec. 9, 2014", 8 pages.
 Ventrac Commercial brochure, Nov. 2018, 12 pages.

* cited by examiner

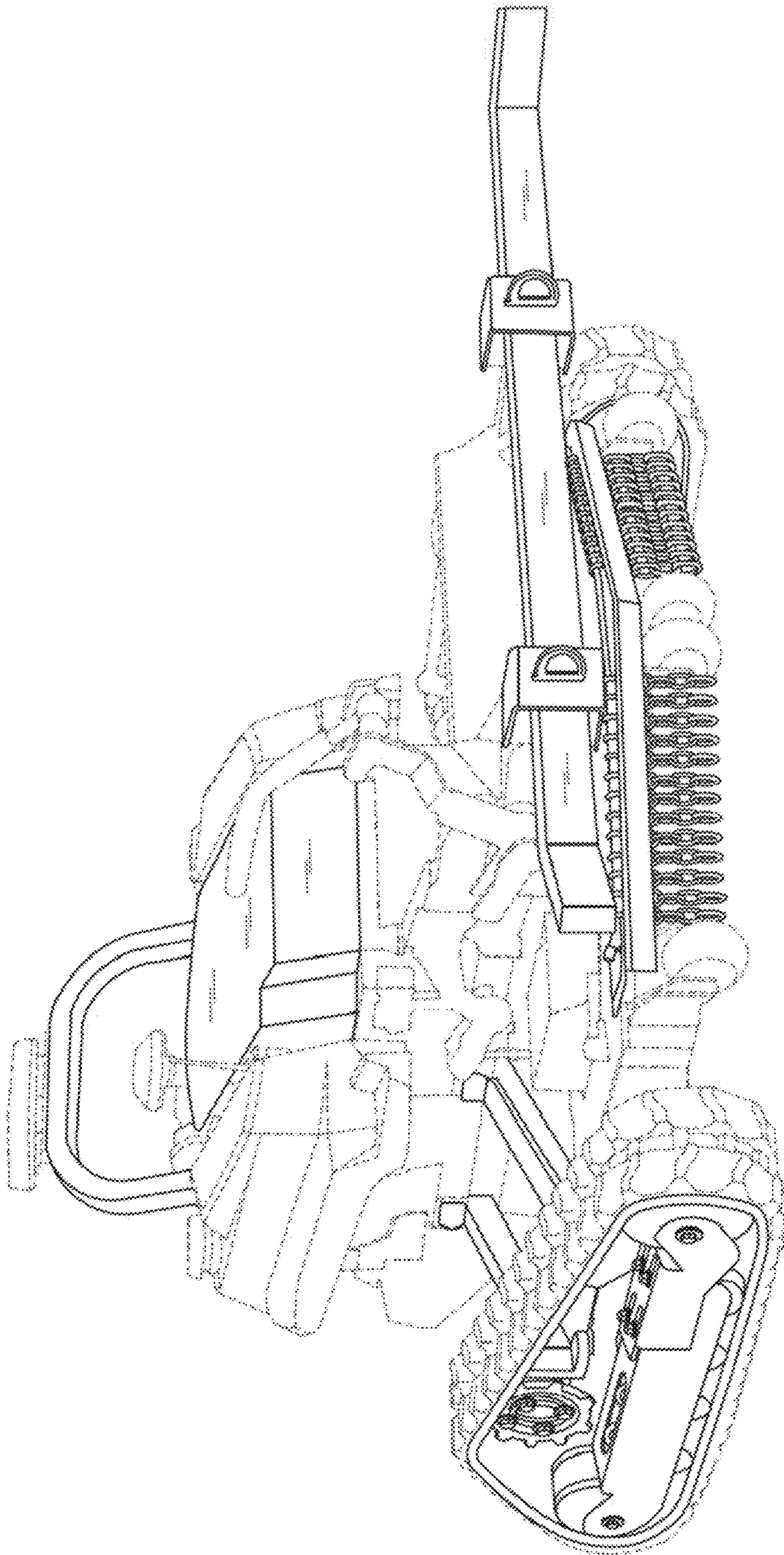


FIG. 1

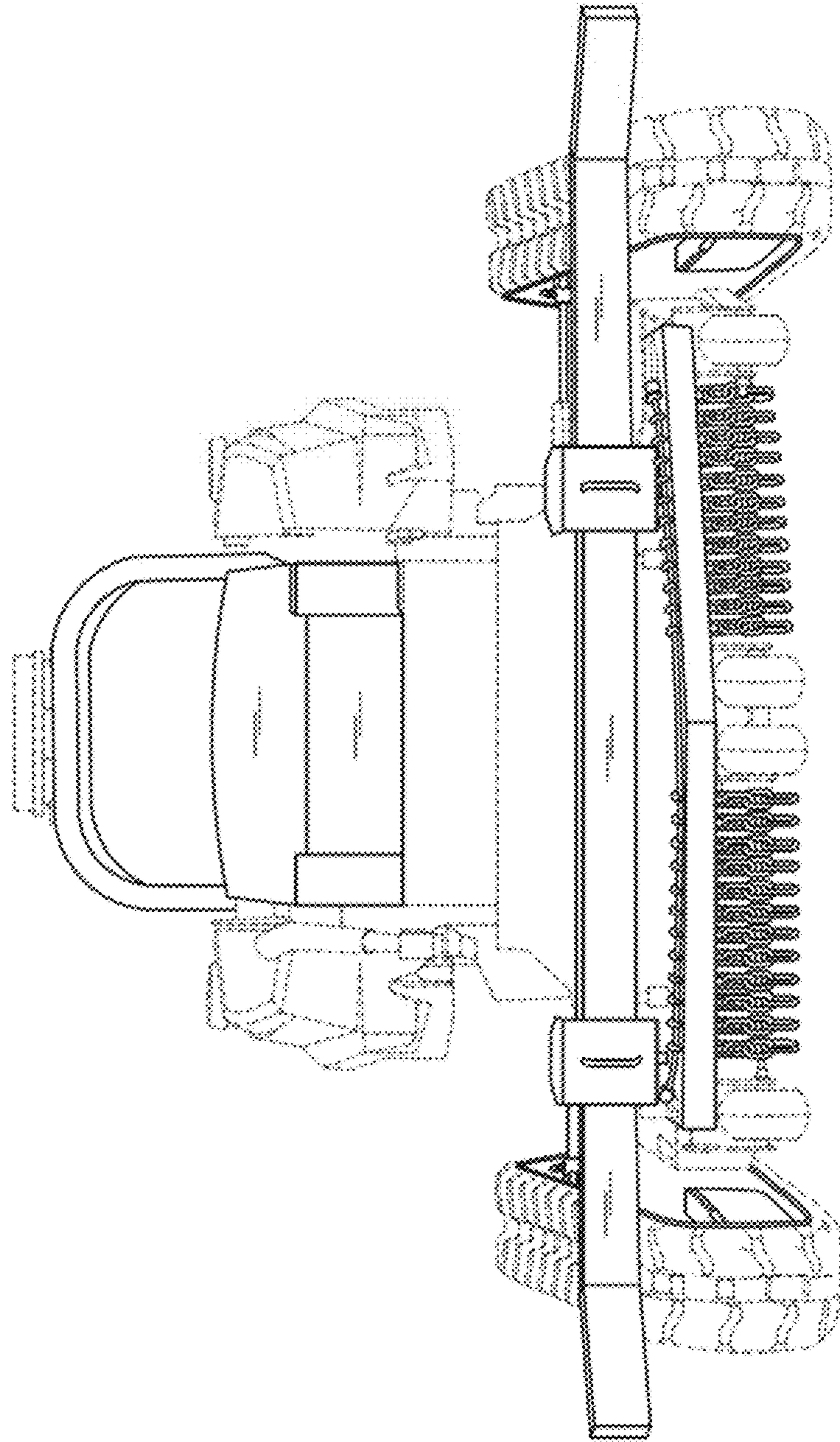


FIG. 2

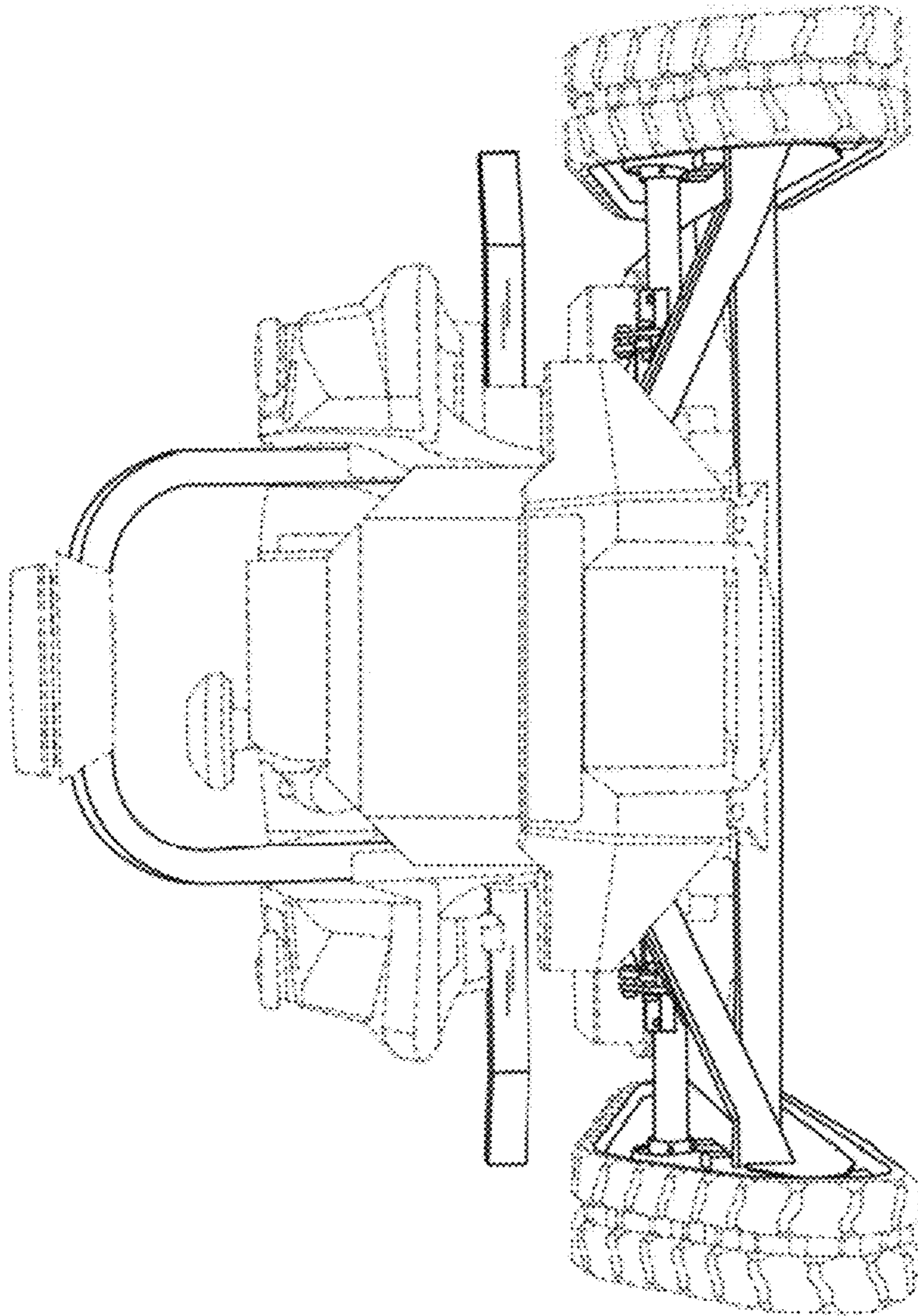


FIG. 3

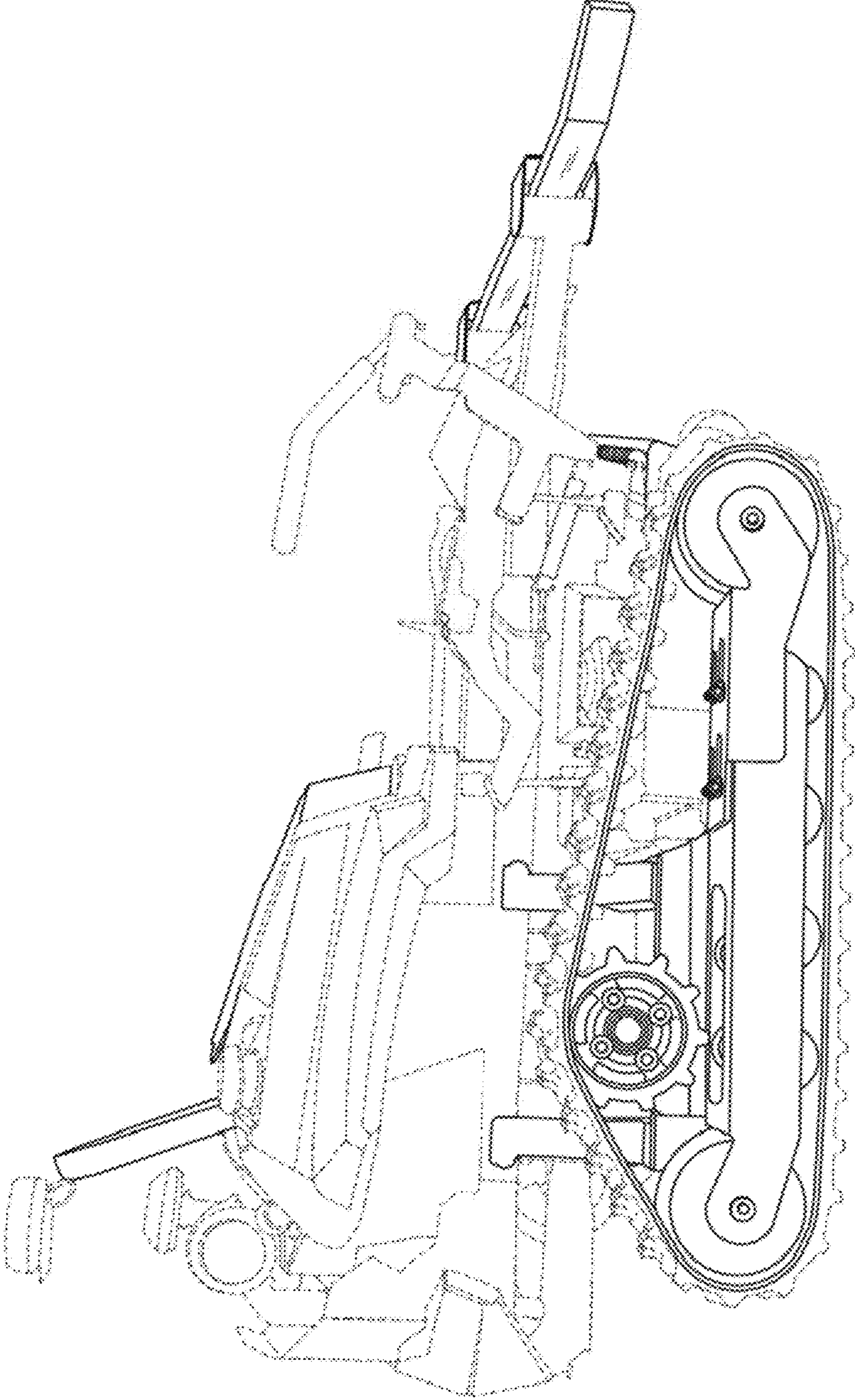


FIG. 4

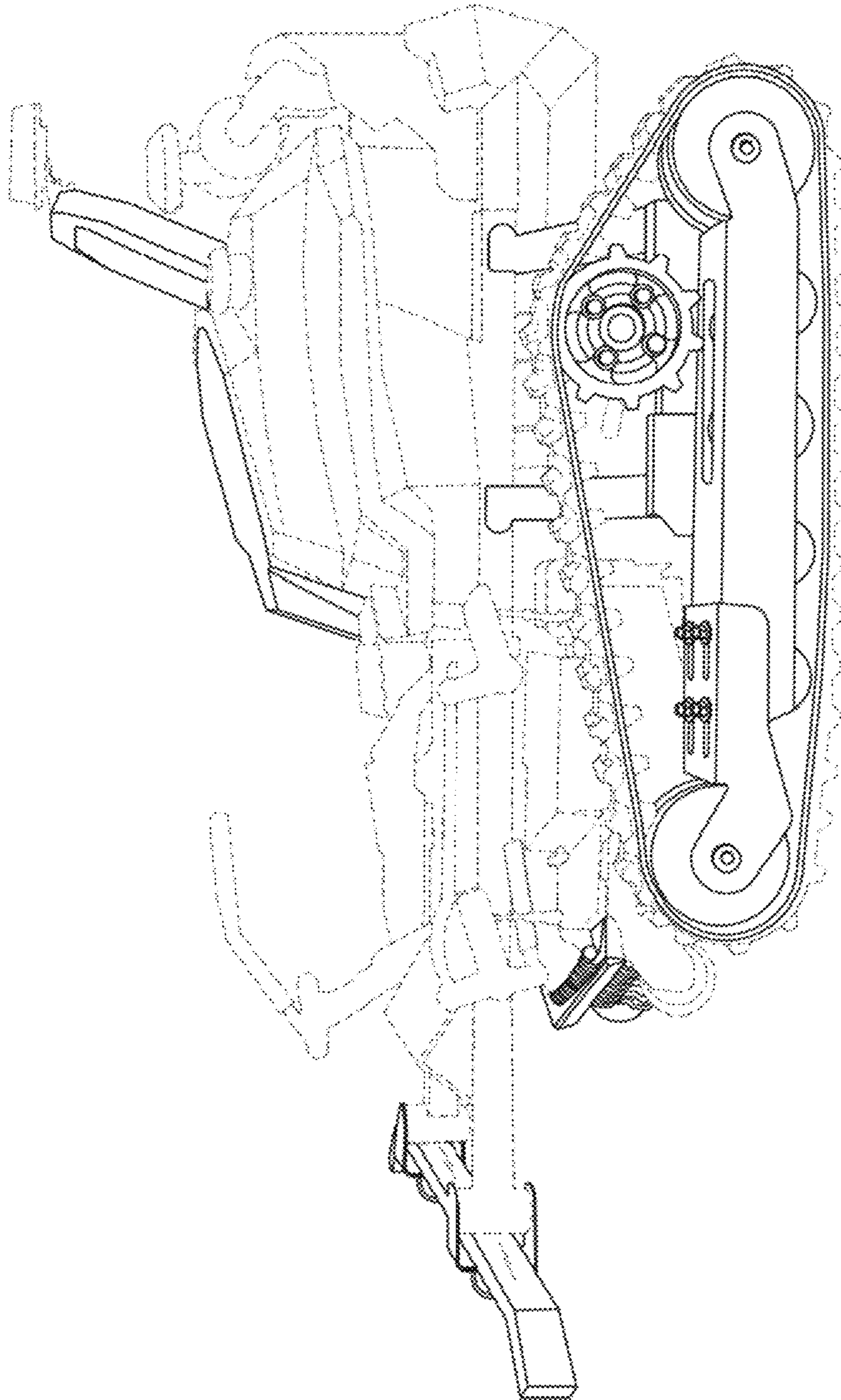


FIG. 5

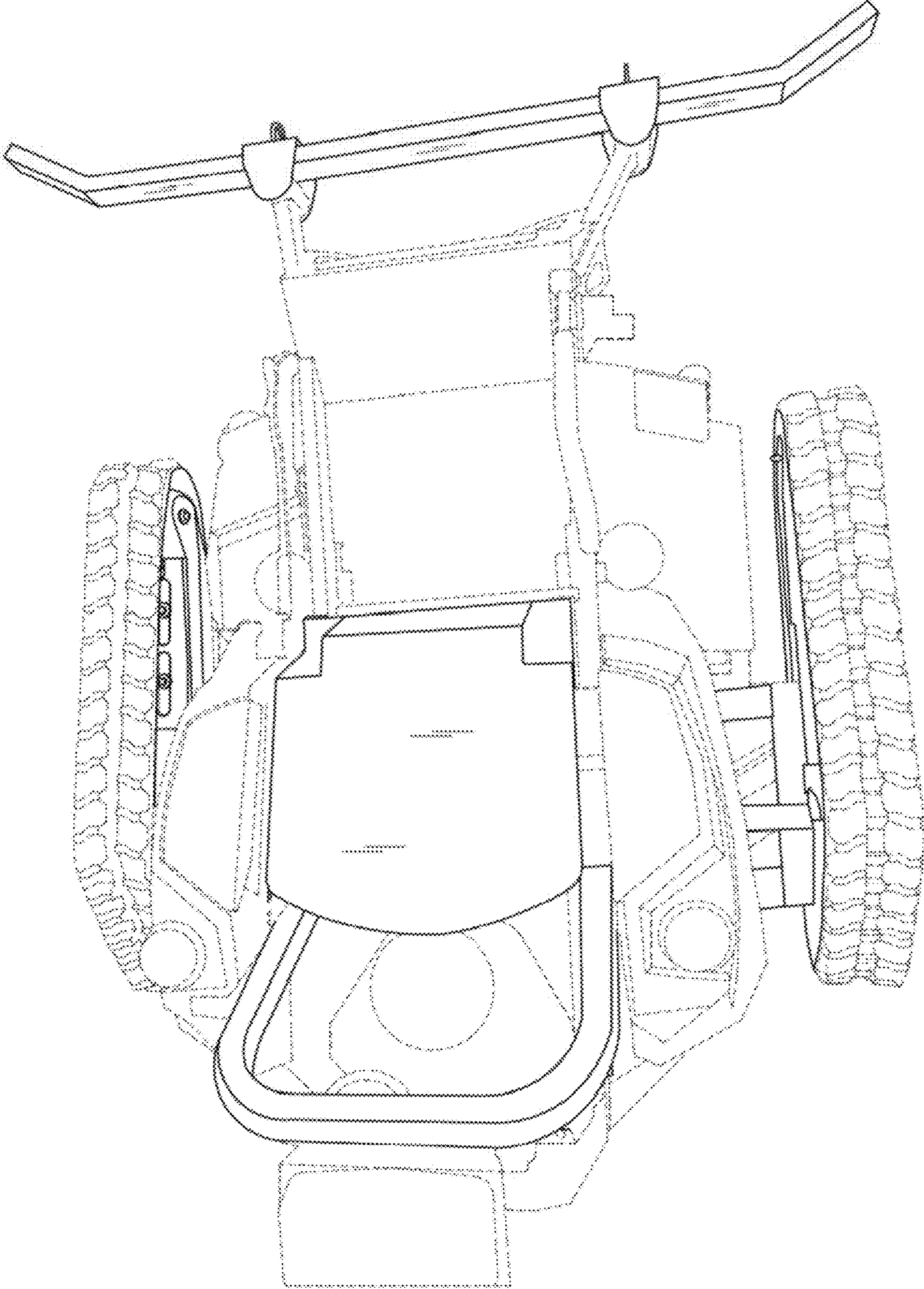


FIG. 6

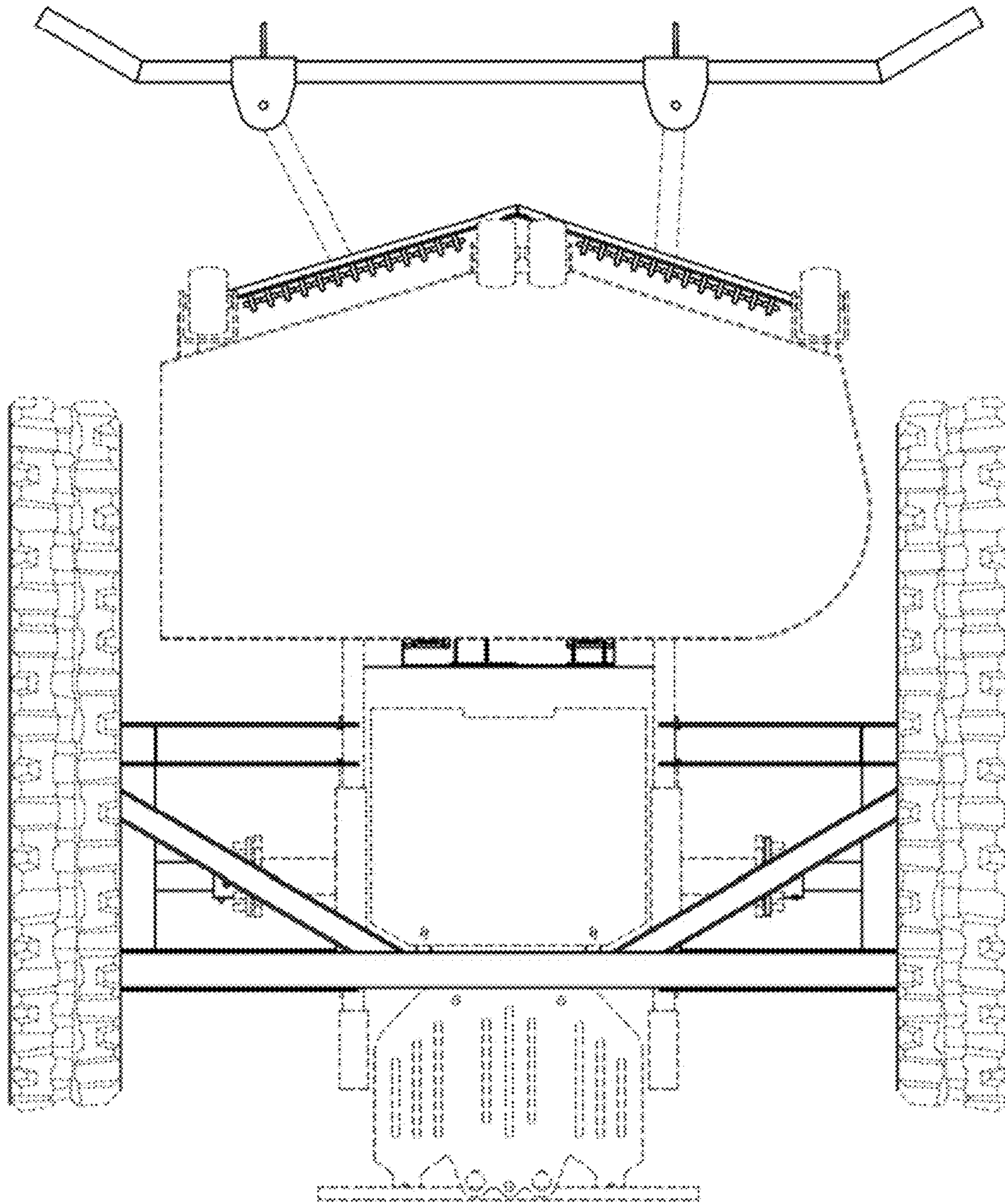


FIG. 7