



US00D898778S

(12) **United States Design Patent** (10) **Patent No.:** **US D898,778 S**  
**Brandt et al.** (45) **Date of Patent:** **\*\* Oct. 13, 2020**

(54) **SLOPE MOWER**  
(71) Applicant: **Embankscape Equipment LLC**,  
Suamico, WI (US)  
(72) Inventors: **Michael D. Brandt**, Suamico, WI (US);  
**Thomas V. Dault, Jr.**, West Branch, MI  
(US)  
(73) Assignee: **Embankscape Equipment LLC**,  
Suamico, WI (US)

D380,761 S \* 7/1997 Saylor ..... D15/15  
D394,662 S \* 5/1998 Grow ..... D15/17  
D424,071 S \* 5/2000 Bickford ..... D15/17  
D435,564 S \* 12/2000 Klasson ..... D15/17  
D538,302 S \* 3/2007 Higashikawa ..... D15/15  
D566,136 S \* 4/2008 Green ..... D15/14  
D569,392 S \* 5/2008 Lonergan ..... D15/27  
D602,504 S \* 10/2009 Lees ..... D15/16  
7,677,344 B2 3/2010 Medina et al.  
D674,816 S \* 1/2013 Higashikawa ..... D15/15  
D715,329 S \* 10/2014 Higashikawa ..... D15/15  
D718,793 S \* 12/2014 Gur ..... D15/14

(Continued)

(\*\*) Term: **15 Years**

**OTHER PUBLICATIONS**

(21) Appl. No.: **29/696,467**

“Built for All You Do” brochure by Steiner, 2015, 11 pages.

(22) Filed: **Jun. 27, 2019**

(Continued)

(51) **LOC (12) Cl.** ..... **15-03**

*Primary Examiner* — Mark A Goodwin

(52) **U.S. Cl.**  
USPC ..... **D15/17; D15/14**

(74) *Attorney, Agent, or Firm* — Northwind IP Law, S.C.;  
Stephen C. Jensen

(58) **Field of Classification Search**  
USPC .... D15/28, 22–26, 14–18, 31, 33; D12/181,  
D12/184, 196; 296/198; 280/160, 847,  
280/154, 854; 180/68.1, 900, 69.21,  
180/69.22, 69.23, 69.24, 69.25, 89.1,  
180/69.2, 89.12, 89.19, 273, 68.6;  
56/16.1, 13.3, 15.9, 16.7, 17.4, 202, 255,  
56/320.1, 13.4, 15.8, 294, 320.2  
CPC .. B62D 25/161; B62D 25/168; B62D 25/182;  
B62D 25/18; B62D 25/16; A01D 75/28;  
A01D 67/00; A01D 69/00  
See application file for complete search history.

(57) **CLAIM**

The ornamental design for a slope mower, as shown and described.

**DESCRIPTION**

FIG. 1 is a perspective view of a slope mower showing our new design;  
FIG. 2 is a front perspective view thereof;  
FIG. 3 is a back perspective view thereof;  
FIG. 4 is a right-side perspective view thereof;  
FIG. 5 is a left-side perspective view thereof;  
FIG. 6 is a top perspective view thereof; and,  
FIG. 7 is a bottom plan view thereof.

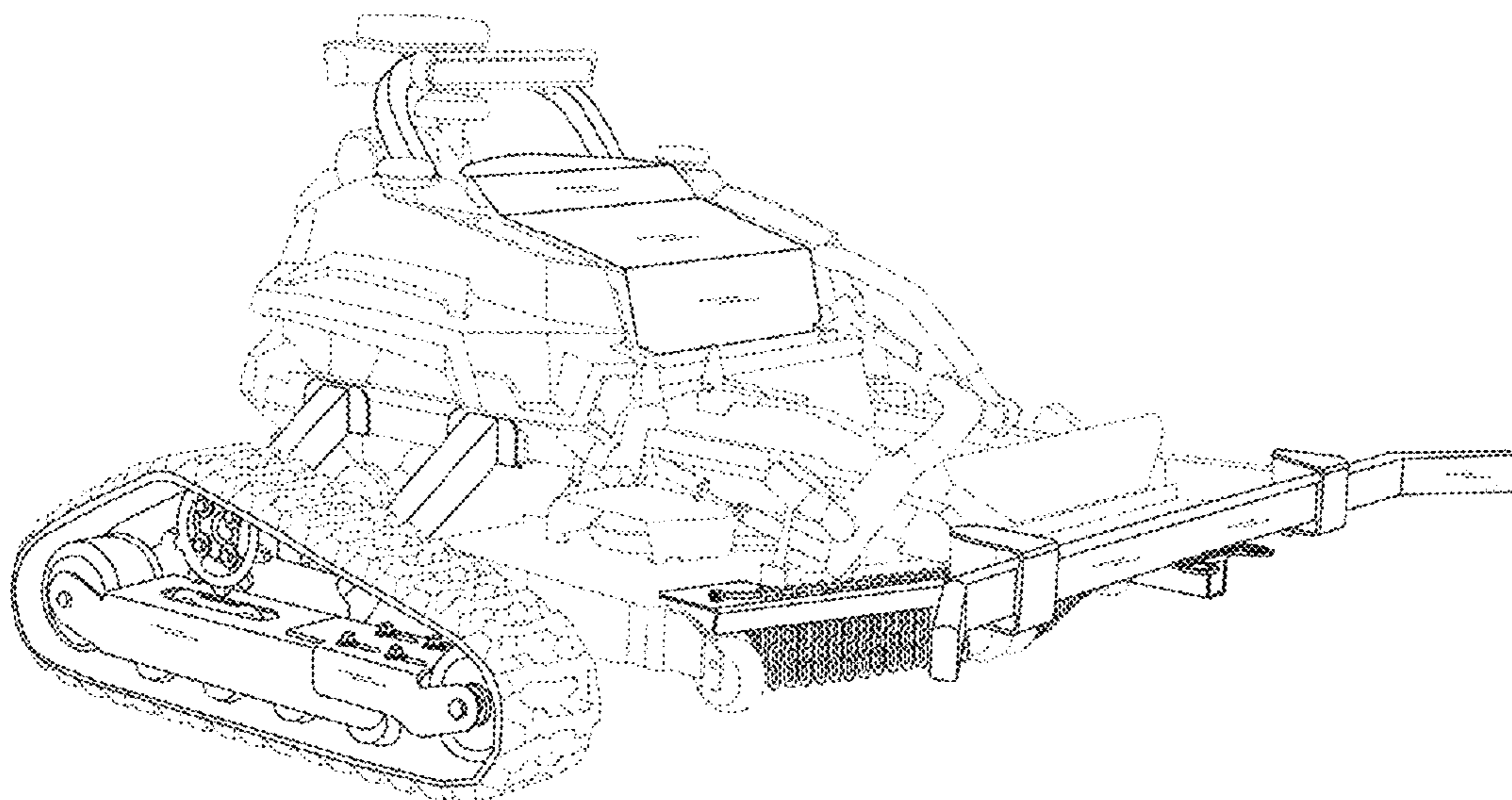
The broken lines in the figures represent environment in which the new design may be embodied, and form no part of the claimed design. Any shading in the figures is provided to illustrate contour only, and is not an indication of texture, gloss, etc.

(56) **References Cited**

**U.S. PATENT DOCUMENTS**

D261,889 S \* 11/1981 Ciccì ..... D15/26  
4,926,621 A \* 5/1990 Torras ..... A01D 75/30  
280/494  
D344,738 S \* 3/1994 Young ..... D15/27  
D362,447 S \* 9/1995 Lamb ..... D15/15  
D363,495 S \* 10/1995 Good ..... D15/15

**1 Claim, 7 Drawing Sheets**



(56)

**References Cited**

U.S. PATENT DOCUMENTS

D789,423	S	*	6/2017	Shi	.....	D15/15
D789,993	S	*	6/2017	Shi	.....	D15/14
D866,609	S	*	11/2019	Long	.....	D15/15
D866,610	S	*	11/2019	Long	.....	D15/15
2003/0108414	A1	*	6/2003	Walto	.....	E02F 9/2004 414/685
2004/0244349	A1	*	12/2004	Meier	.....	A01D 75/28 56/17.5
2005/0138911	A1	*	6/2005	Wilson	.....	A01D 34/866 56/14.7
2012/0328401	A1	*	12/2012	Sieben	.....	A01D 42/00 414/728

OTHER PUBLICATIONS

FireMaster FM72-88D brochure by kut kwick, undated but no later than Apr. 2019, 2 pages.  
 Gravely 2013 Product Catalog, 2018, 33 pages.  
 Green Climber F300 PRO brochure, undated but no later than Apr. 2019, 4 pages.  
 Green Climber LV300 PRO brochure, undated but no later than Apr. 2019, 1 page.

Green Climber LV800 PRO brochure, undated but no later than Apr. 2019, 1 page.  
 Green Climber LV600 brochure, undated but no later than Apr. 2019, 5 pages.  
 Pro-Turn 200 brochure by Gravely, 2018, 2 pages.  
 Ridge Runner brochure by Alamo, dated "Jun. 8, 2016", 2 pages.  
 Ridge Runner brochure by Alamo, dated "Jun. 17, 2016", 12 pages.  
 Robocut 2019 brochure, Jan. 2019, 19 pages.  
 Slope Solution ATM 72LC brochure by Harper Turf Equipment, undated but no later than Apr. 2019, 2 pages.  
 Spider brochure by Dvorak, undated but no later than Apr. 2019, 20 pages.  
 Super SlopeMaster SSM-36-72D brochure by kut kwick, undated but no later than Apr. 2019, 2 pages.  
 The Kut Kwick Brushmaster BM72-88D brochure by kut kwick, undated but no later than Apr. 2019, 2 pages.  
 The MegaSlopeMaster MSM72-88D brochure by kut kwick, undated but no later than Apr. 2019, 2 pages.  
 TRAXXRF brochure by Alamo Industrial, dated "Mar. 28, 2014", 2 pages.  
 TRAXXRF brochure by Alamo Industrial, dated "Dec. 9, 2014", 8 pages.  
 Ventrac Commercial brochure, Nov. 2018, 12 pages.

\* cited by examiner



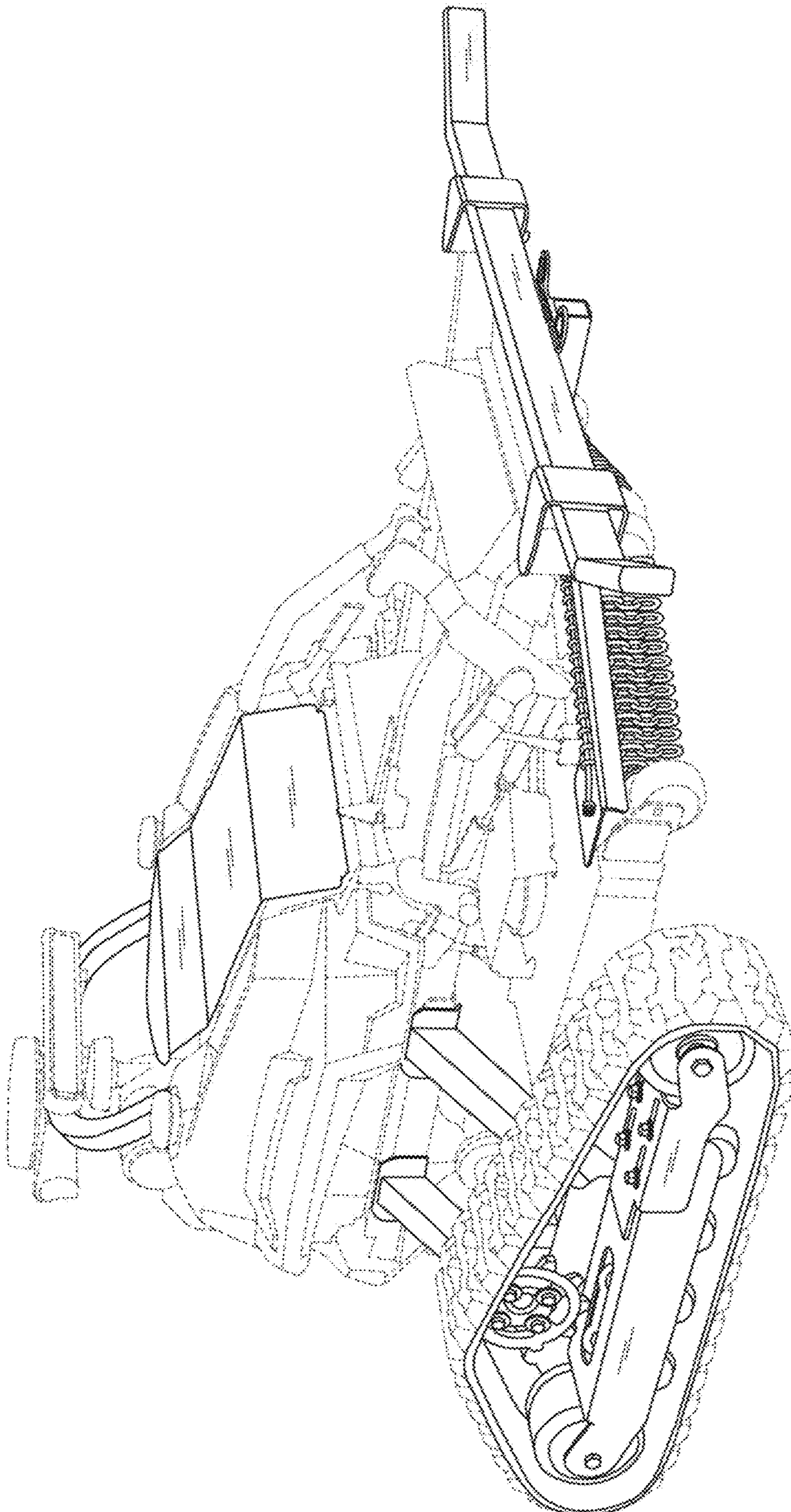


FIG. 1

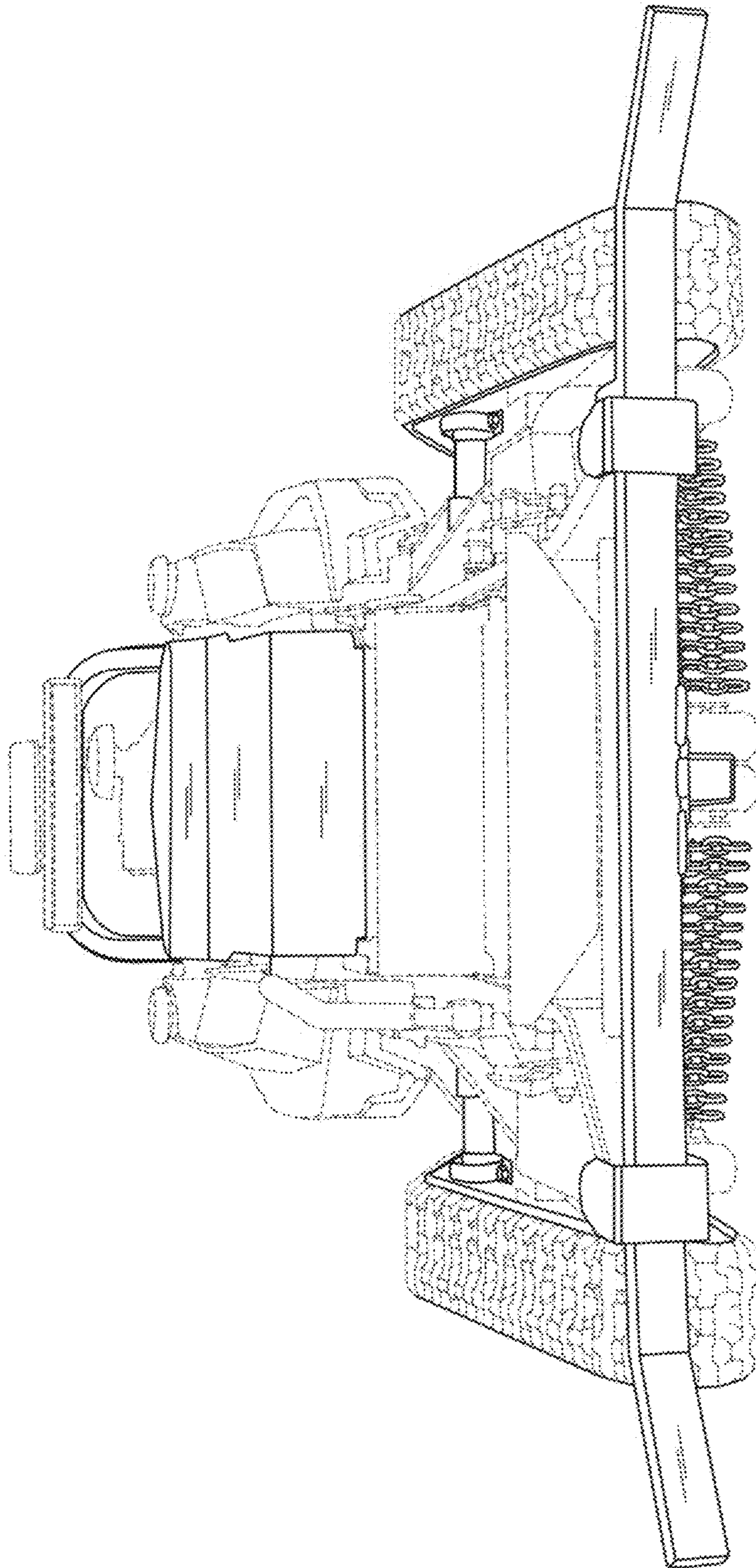


FIG. 2



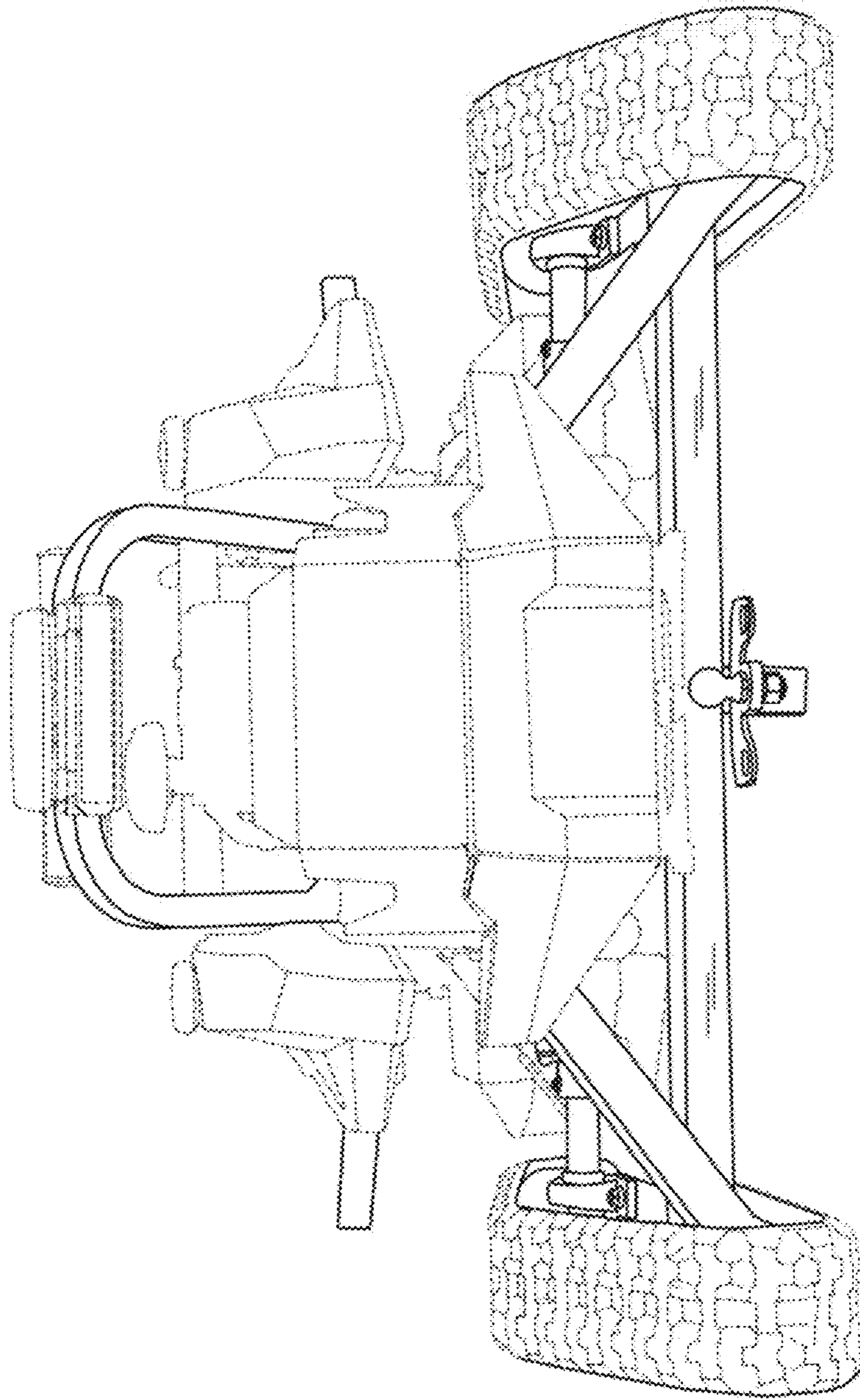


FIG. 3

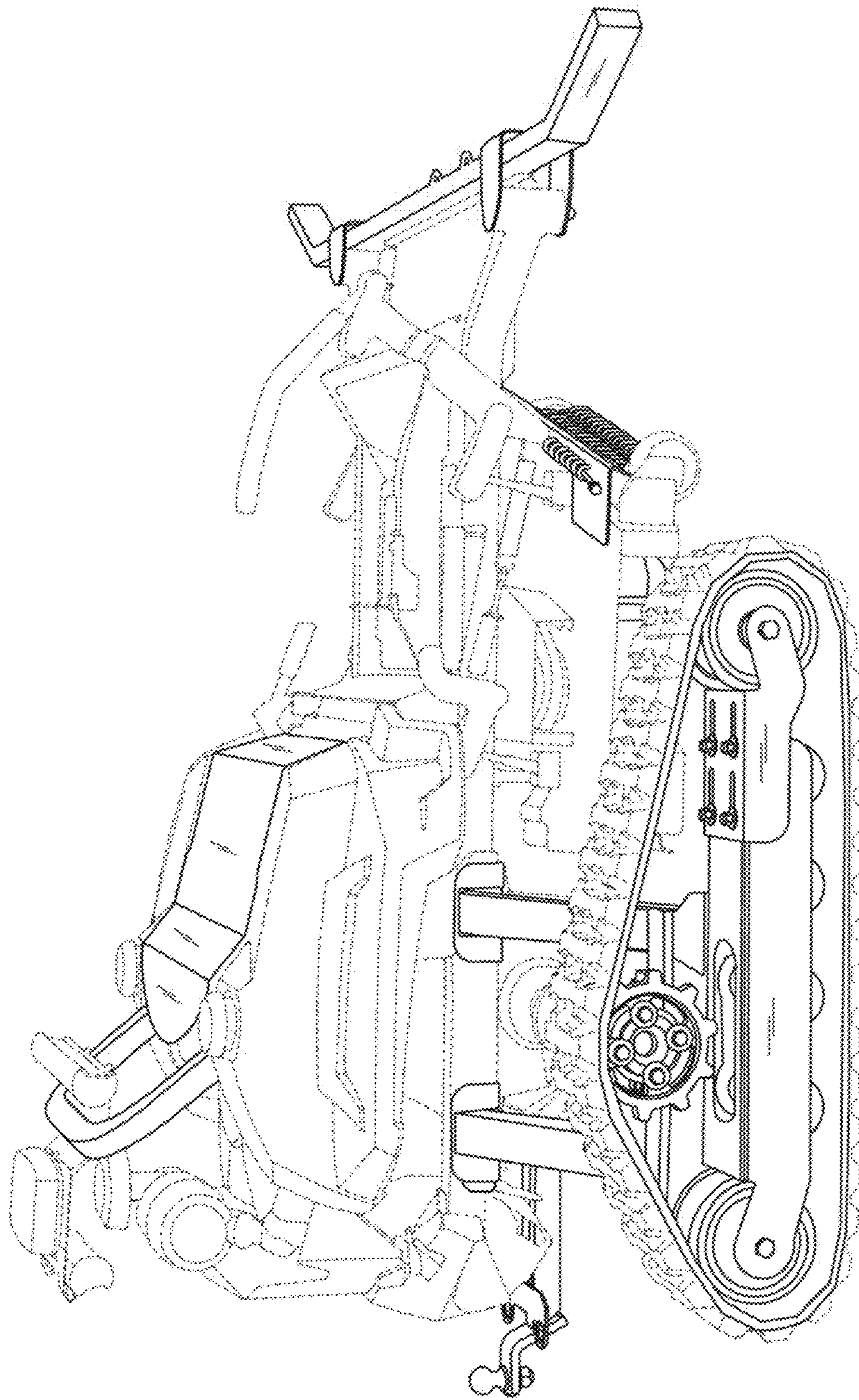


FIG. 4



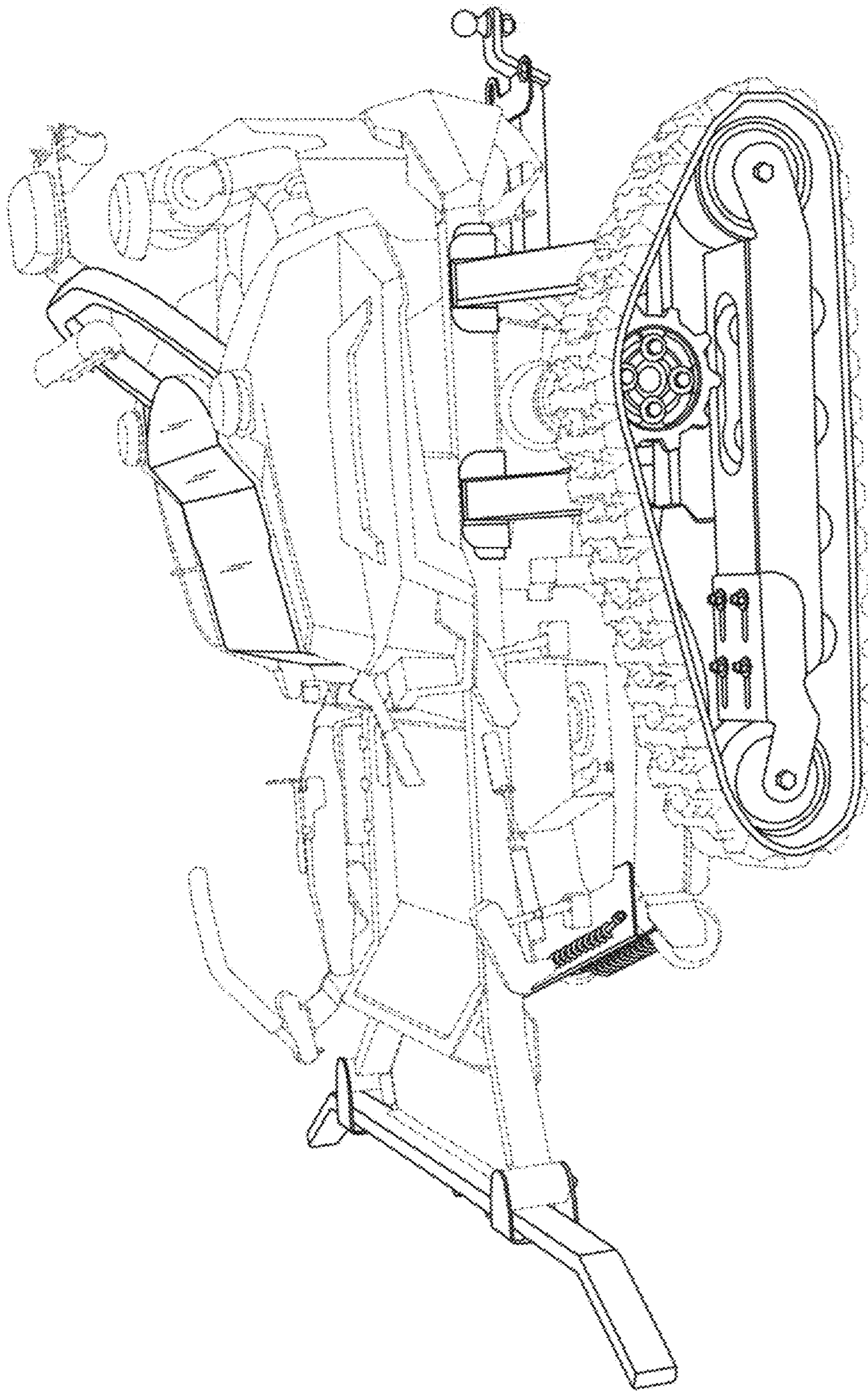


FIG. 5

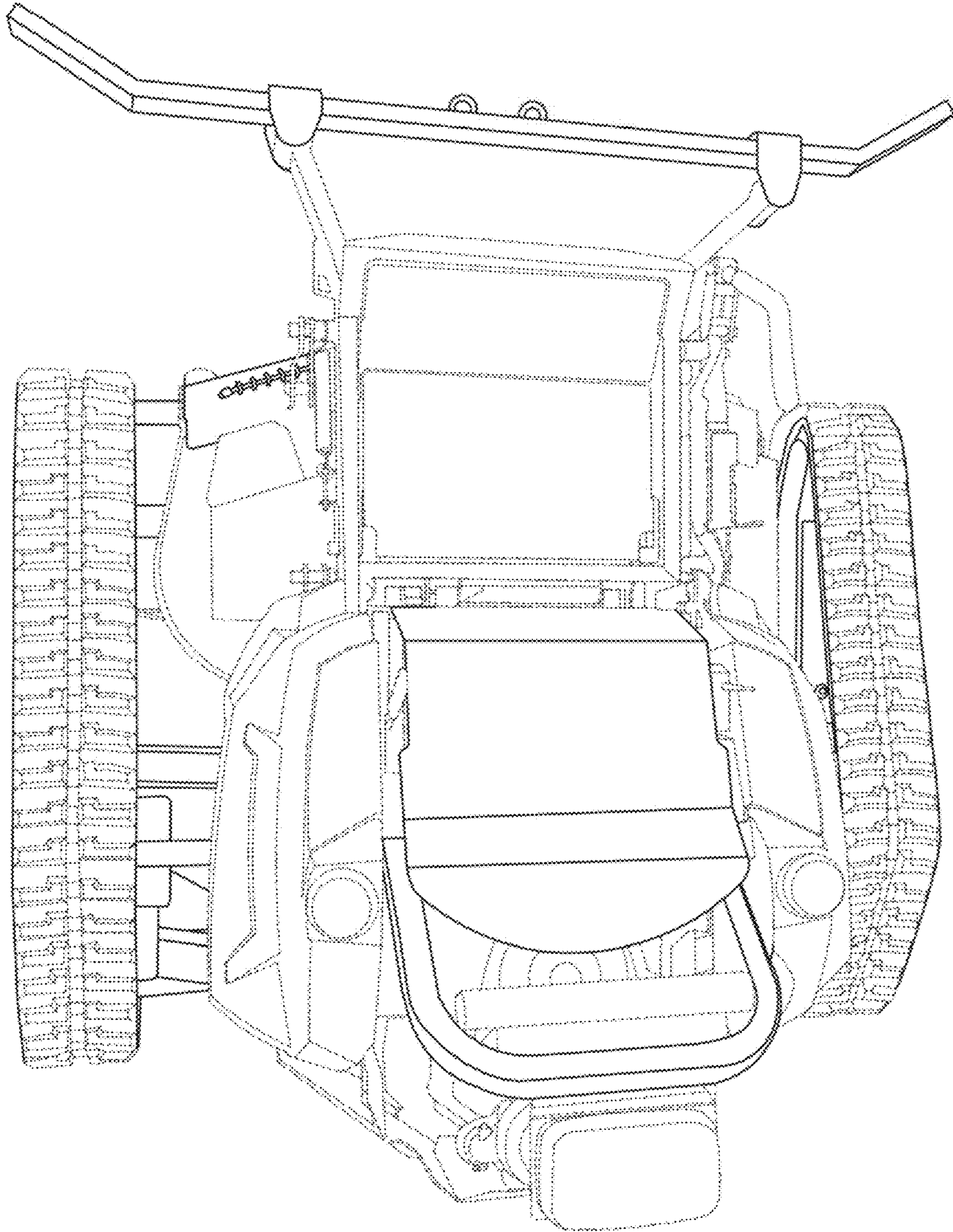


FIG. 6



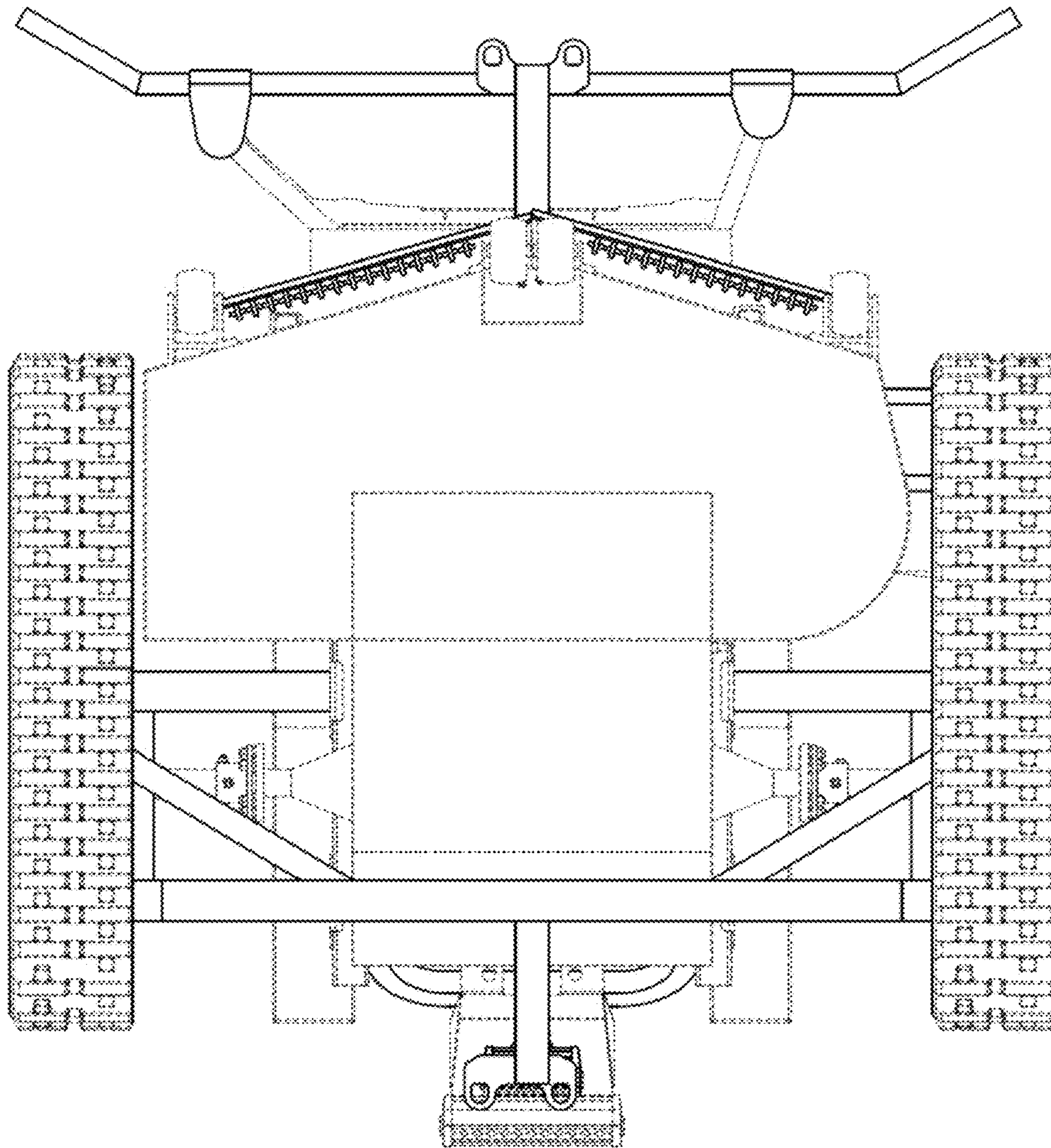


FIG. 7