



US00D898777S

(12) **United States Design Patent**
Lorenz

(10) **Patent No.:** **US D898,777 S**
(45) **Date of Patent:** **** Oct. 13, 2020**

- (54) **ARTICULATED DUMP TRUCK**
- (71) Applicant: **Liebherr-Hydraulikbagger GmbH**,
Kirchdorf an der Iller (DE)
- (72) Inventor: **Jonas Lorenz**, Kirchdorf an der Iller
(DE)
- (73) Assignee: **LIEBHERR-HYDRAULIKBAGGER**
GMBH, Kirchdorf an der Iller (DE)

D721,988 S *	2/2015	Graber	D12/15
D826,992 S *	8/2018	Bolinder	D15/10
D827,675 S *	9/2018	Bolinder	D15/10
D827,676 S *	9/2018	Bolinder	D15/10
D831,537 S *	10/2018	Hallgren	D12/15
D832,140 S *	10/2018	Hallgren	D12/15
D860,262 S *	9/2019	Morgan	D15/19
2002/0175009 A1 *	11/2002	Kress	B60K 7/0007 180/199
2014/0027229 A1 *	1/2014	Tojima	B60L 5/24 191/64

- (**) Term: **15 Years**
- (21) Appl. No.: **29/681,555**
- (22) Filed: **Feb. 26, 2019**

* cited by examiner

Primary Examiner — Mark A Goodwin
Assistant Examiner — Benjamin M Weeks
(74) *Attorney, Agent, or Firm* — McCoy Russell LLP

(30) **Foreign Application Priority Data**

Aug. 29, 2018 (EM) 5623832

(51) **LOC (12) Cl.** **15-03**

(52) **U.S. Cl.**
USPC **D15/10; D12/15**

(58) **Field of Classification Search**
USPC D12/15, 97, 101; D15/10, 11, 13, 19, 17,
D15/21, 28, 14, 15, 16
CPC A01D 34/664; A01D 34/66; A01D 34/667;
A01D 34/81; A01D 34/661; A01D
34/668; A01D 61/004
See application file for complete search history.

(57) **CLAIM**

The ornamental design for an articulated dump truck, as shown and described.

DESCRIPTION

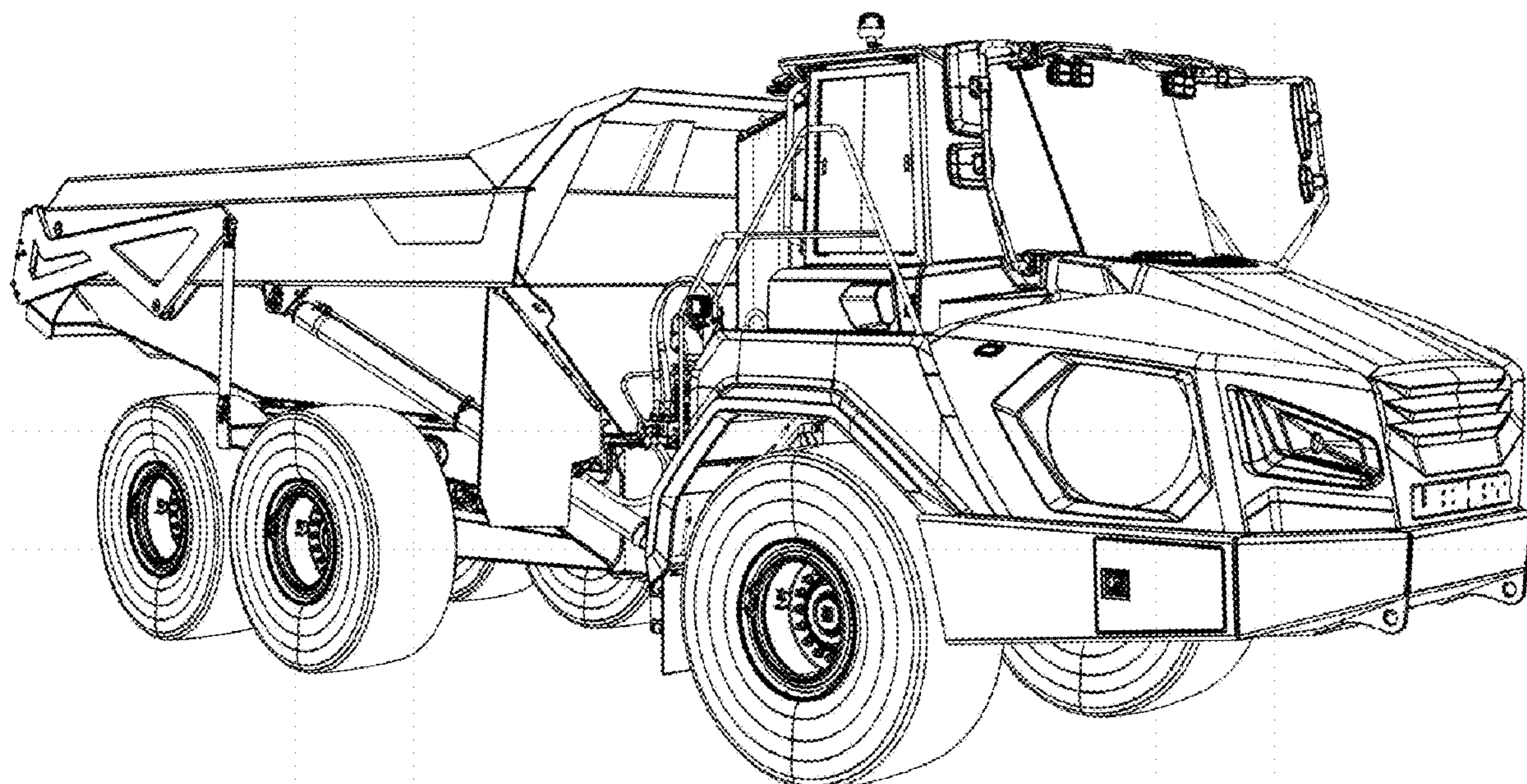
FIG. 1 is a front-right perspective view of an articulated dump truck according to the present disclosure.
FIG. 2 is a front-left perspective view of the articulated dump truck of FIG. 1.
FIG. 3 is a right side view of the articulated dump truck of FIG. 1.
FIG. 4 is a left side view of the articulated dump truck of FIG. 1.
FIG. 5 is a rear-left perspective view of the articulated dump truck of FIG. 1.
FIG. 6 is a front view of the articulated dump truck of FIG. 1; and,
FIG. 7 is a rear view of the articulated dump truck of FIG. 1.

(56) **References Cited**

U.S. PATENT DOCUMENTS

7,207,621 B2 *	4/2007	D'Amico	B60P 1/286 296/183.1
D660,874 S *	5/2012	Werner	D15/10
D689,909 S *	9/2013	Suzuki	D12/15
D696,697 S *	12/2013	Cooksey	D15/10

1 Claim, 7 Drawing Sheets



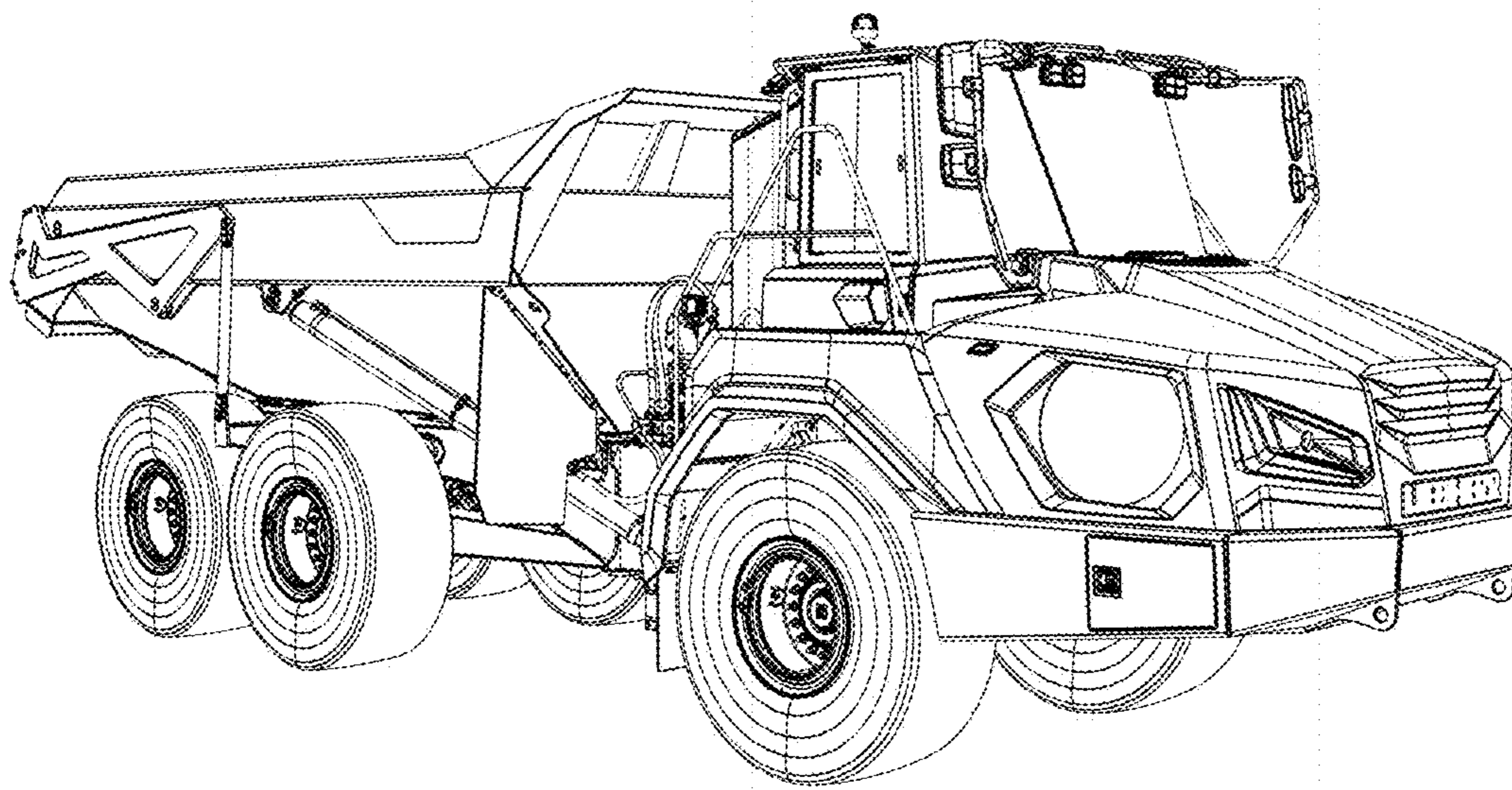


FIG. 1

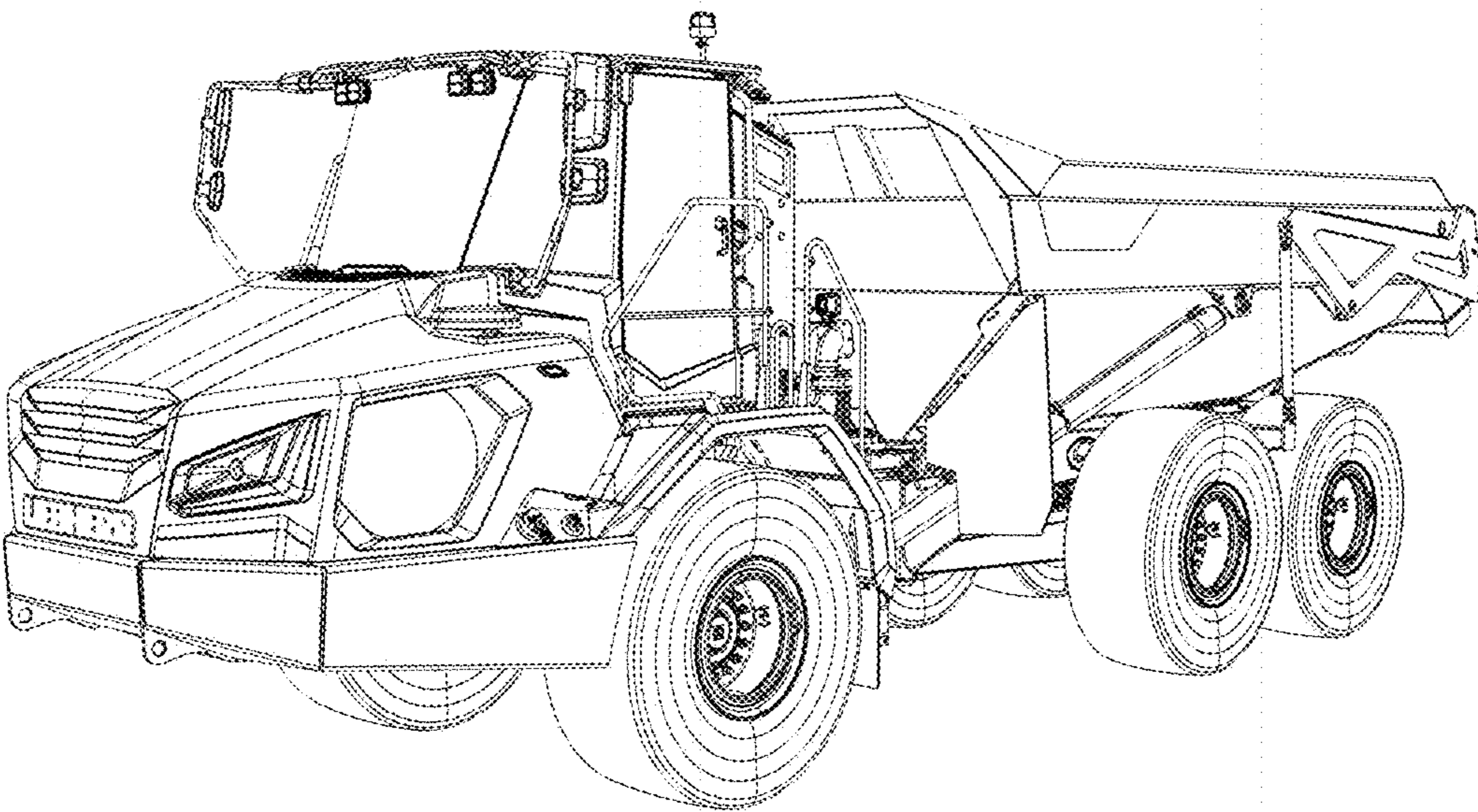


FIG. 2

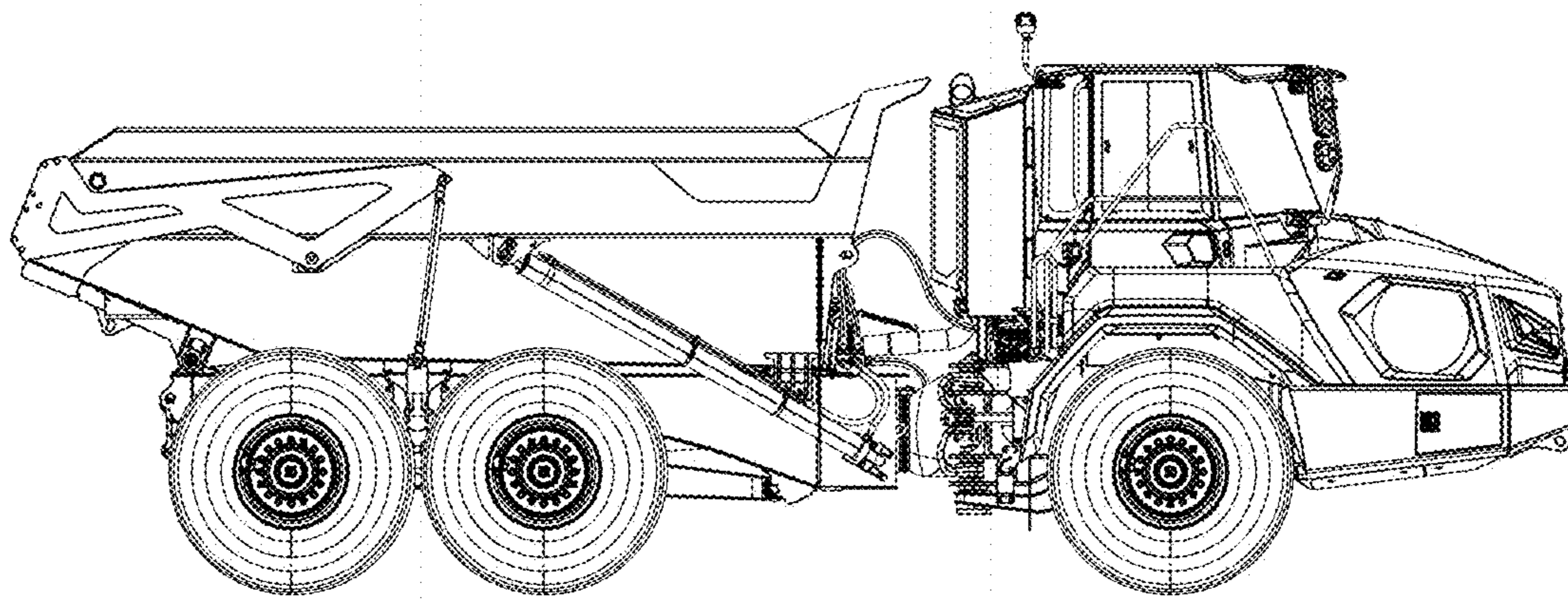


FIG. 3

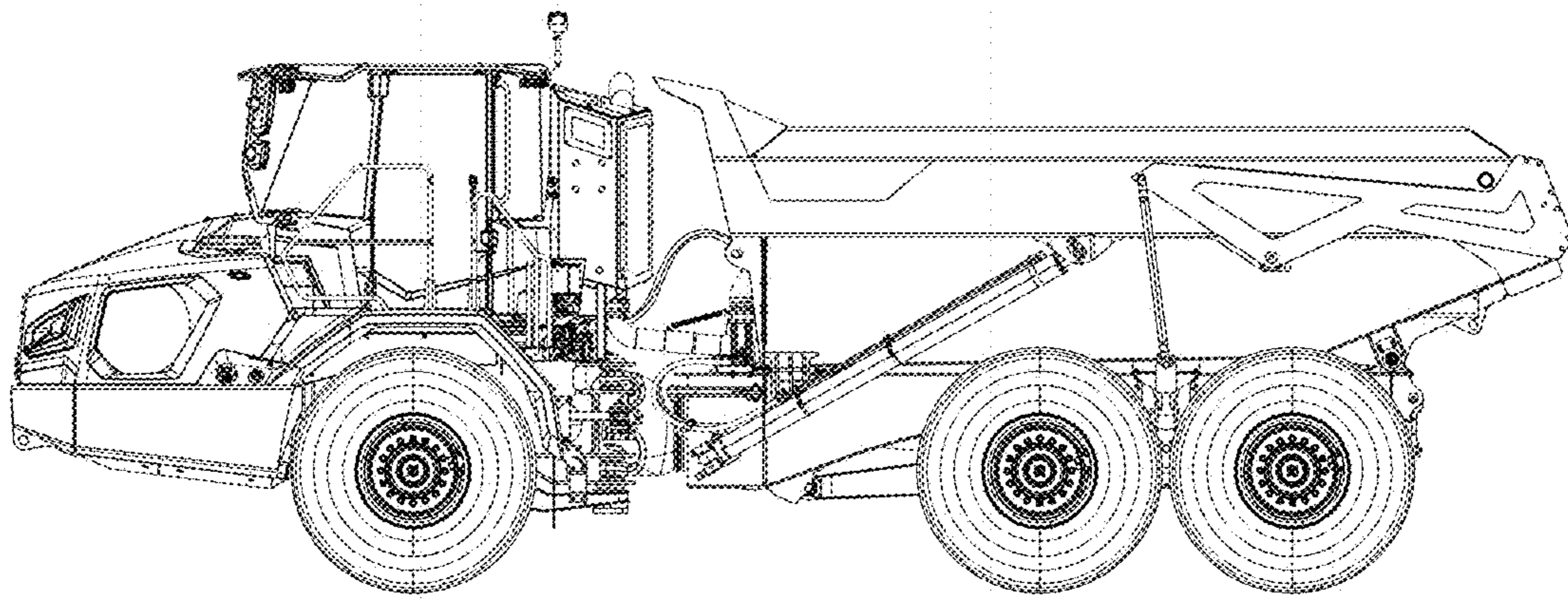


FIG. 4

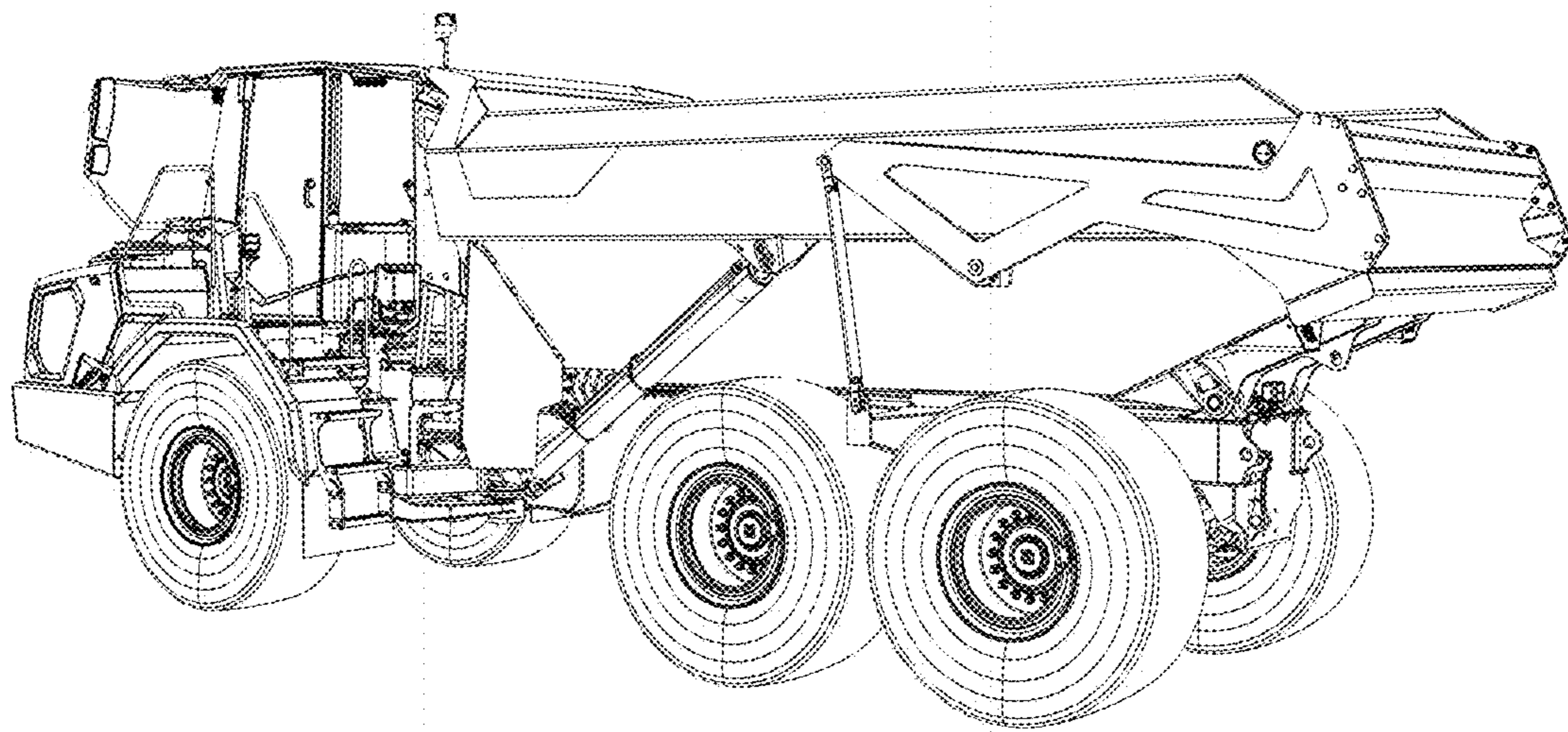


FIG. 5

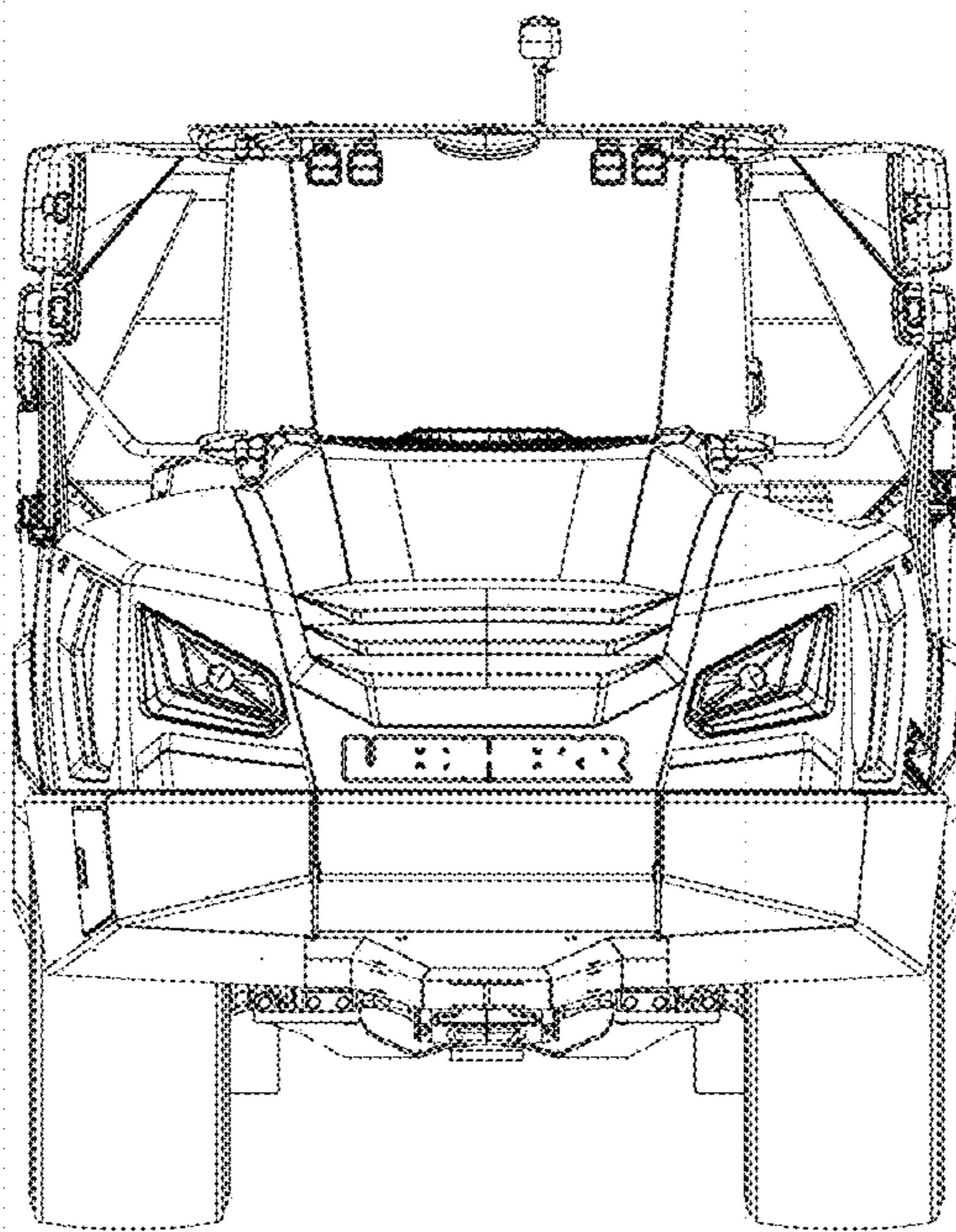


FIG. 6

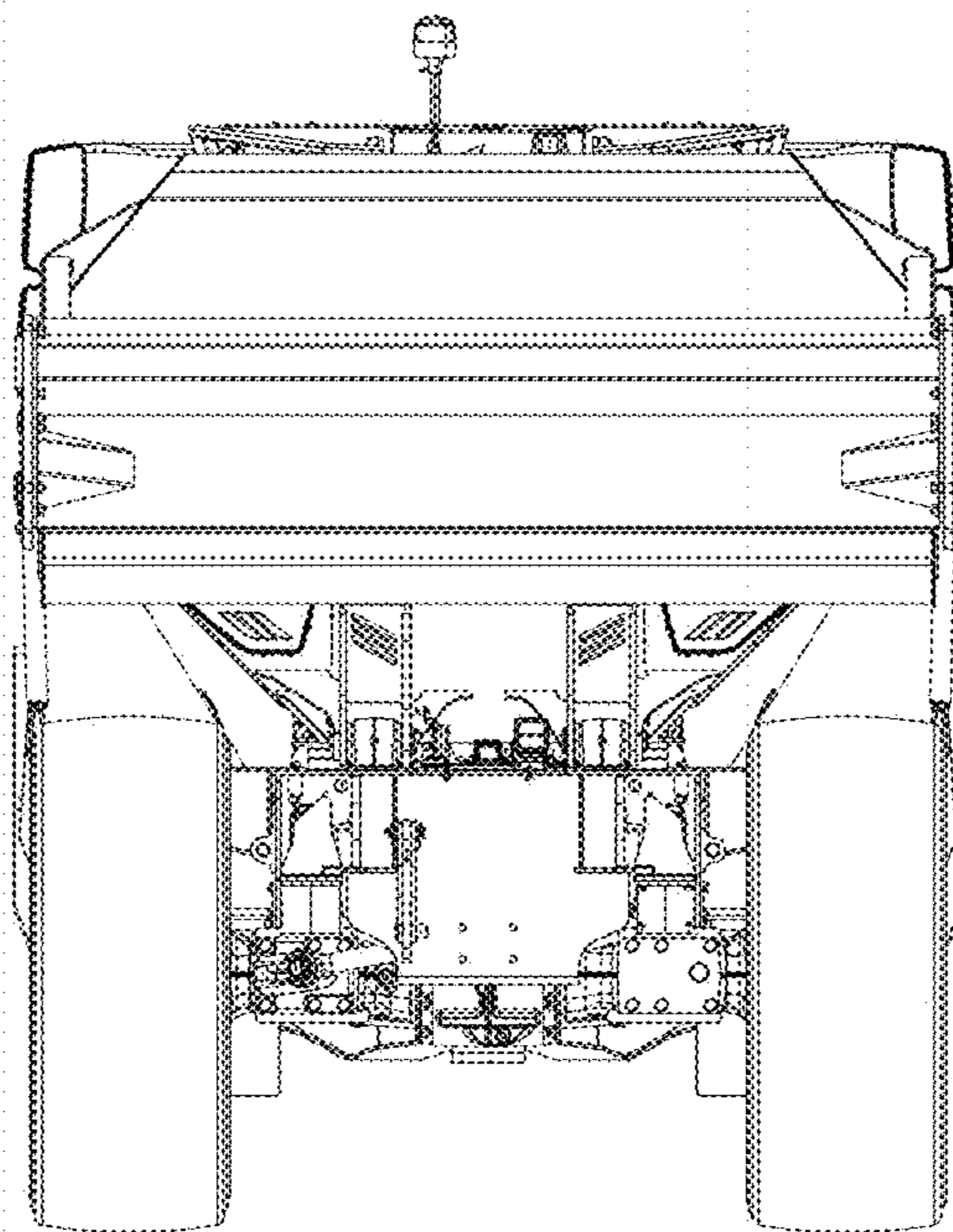


FIG. 7