



US00D898776S

(12) **United States Design Patent** (10) **Patent No.:** **US D898,776 S**  
**Gao** (45) **Date of Patent:** **\*\* Oct. 13, 2020**

(54) **AIR COMPRESSOR**  
(71) Applicant: **Jiangsu Ecady Machinery Industry Group Co., Ltd, Kunshan (CN)**  
(72) Inventor: **Heping Gao, Wenling (CN)**  
(73) Assignee: **Jiangsu Ecady Machinery Industry Group Co., Ltd. (CN)**  
(\*\*) Term: **15 Years**  
(21) Appl. No.: **29/678,700**  
(22) Filed: **Jan. 30, 2019**  
(51) **LOC (12) Cl.** ..... **15-02**  
(52) **U.S. Cl.**  
USPC ..... **D15/9**  
(58) **Field of Classification Search**  
USPC ..... D15/7-9; D23/231, 232, 225  
CPC ..... F01D 5/14; F01D 5/12; F01D 5/04; F02B 33/40; F04D 29/42; F02M 37/04; F02M 37/14  
See application file for complete search history.

(56) **References Cited**  
U.S. PATENT DOCUMENTS  
D444,797 S \* 7/2001 Davis ..... D15/9  
D475,721 S \* 6/2003 Harper ..... D15/9  
D478,095 S \* 8/2003 Reger ..... D15/9  
D588,612 S \* 3/2009 Steinfels ..... D15/7  
D603,879 S \* 11/2009 Kosugi ..... D15/9  
D667,467 S \* 9/2012 Kosugi ..... D15/9  
8,727,741 B2 \* 5/2014 Nutz ..... F04B 35/06  
417/234  
D744,006 S \* 11/2015 Nommensen ..... D15/9

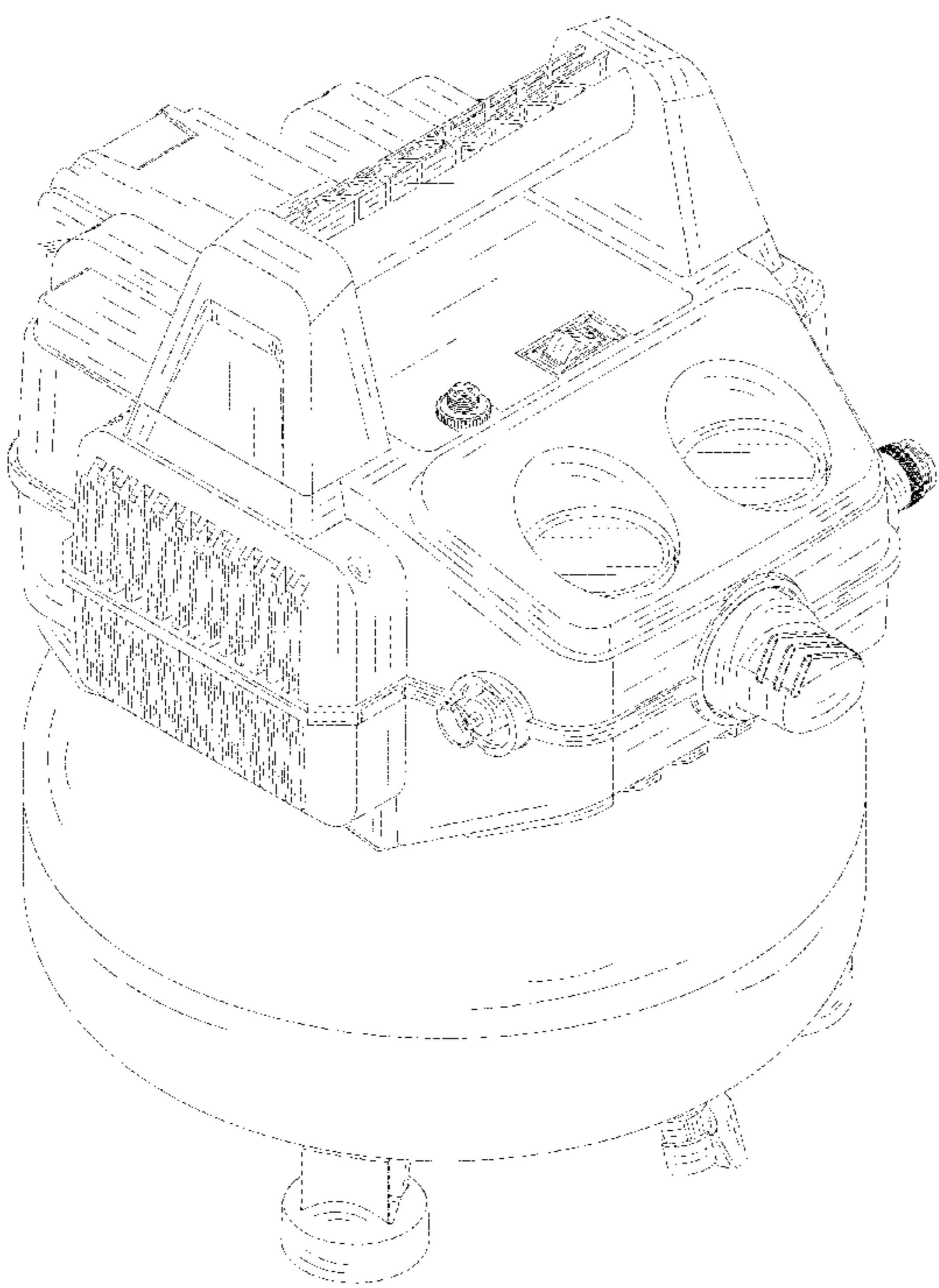
D749,643 S \* 2/2016 Craig ..... D15/9  
D774,554 S \* 12/2016 Imsand ..... D15/7  
D776,168 S \* 1/2017 Balma ..... D15/9  
D792,472 S \* 7/2017 Kirkpatrick ..... D15/7  
D792,473 S \* 7/2017 Imsand ..... D15/7  
D803,270 S \* 11/2017 Chen ..... D15/9  
D832,891 S \* 11/2018 Chu ..... D15/9  
10,451,050 B2 \* 10/2019 Thackery ..... F04C 18/34  
D875,788 S \* 2/2020 Tuang ..... D15/9  
2006/0104825 A1 \* 5/2006 Etter ..... F04B 35/06  
417/234  
2006/0104830 A1 \* 5/2006 Fields ..... F04B 41/02  
417/360

\* cited by examiner  
*Primary Examiner* — Mitchell I. Siegel

(57) **CLAIM**  
The ornamental design for a air compressor, as shown and described.

**DESCRIPTION**  
FIG. 1 is a front view of an air compressor, showing my new design;  
FIG. 2 is a back view thereof;  
FIG. 3 is a left side view thereof;  
FIG. 4 is a right side view thereof;  
FIG. 5 is a top view thereof;  
FIG. 6 is a bottom view thereof;  
FIG. 7 is a perspective view thereof; and,  
FIG. 8 is another perspective view thereof, shown with the stand in extended condition.  
The broken lines in the drawing depict portions of the air compressor that form no part of the claimed design.

**1 Claim, 8 Drawing Sheets**



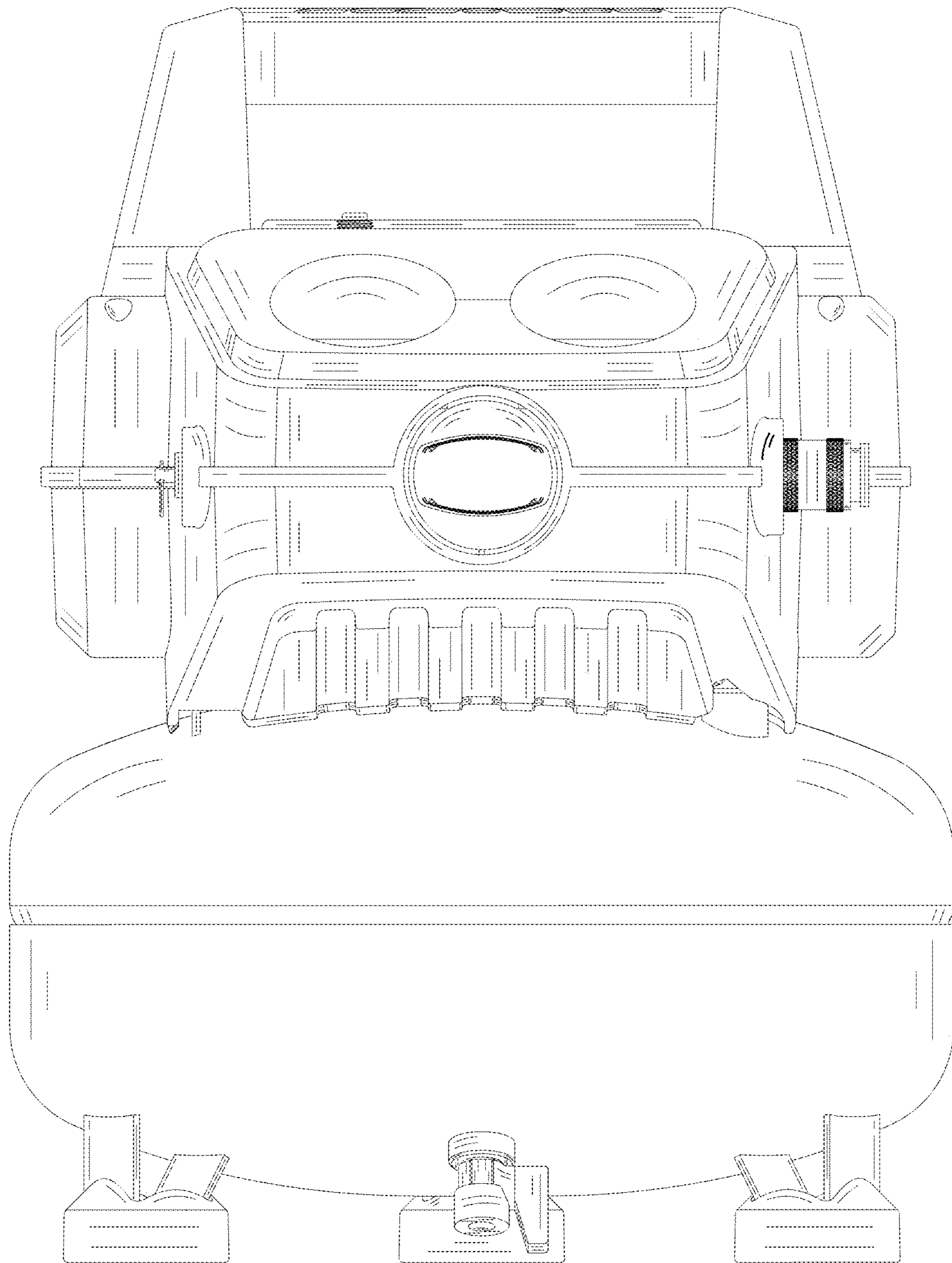


FIG. 1

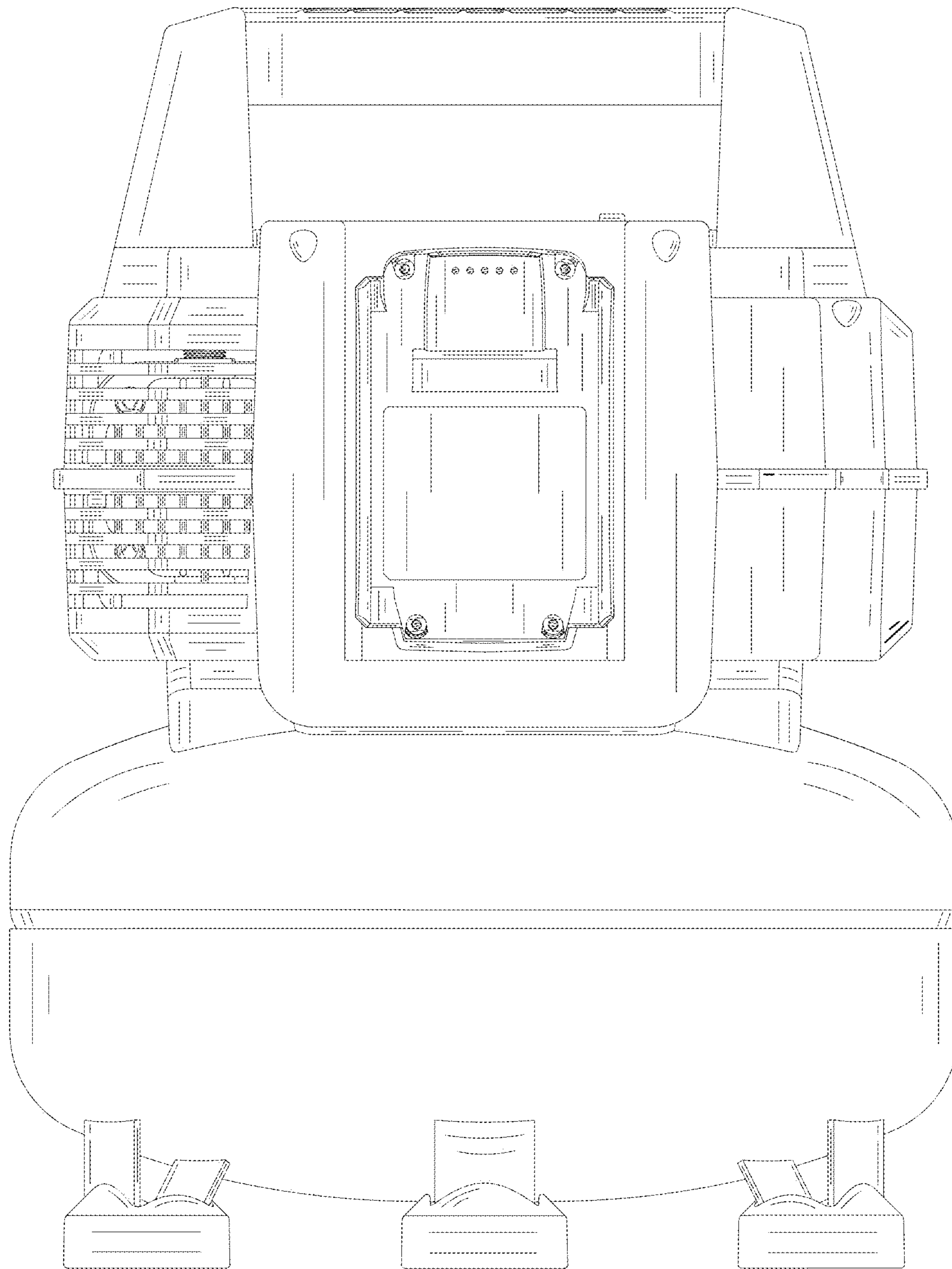


FIG. 2

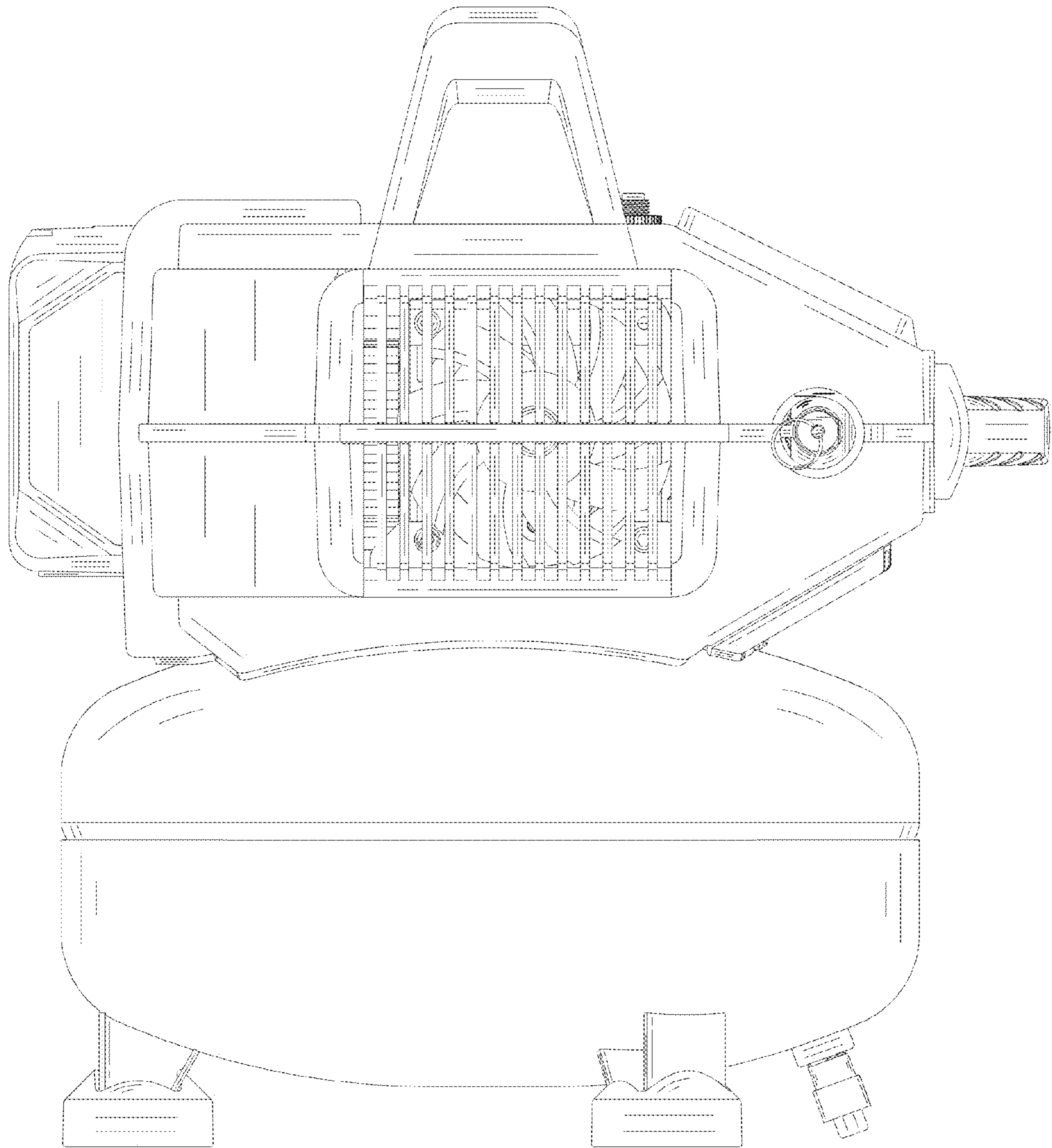


FIG. 3

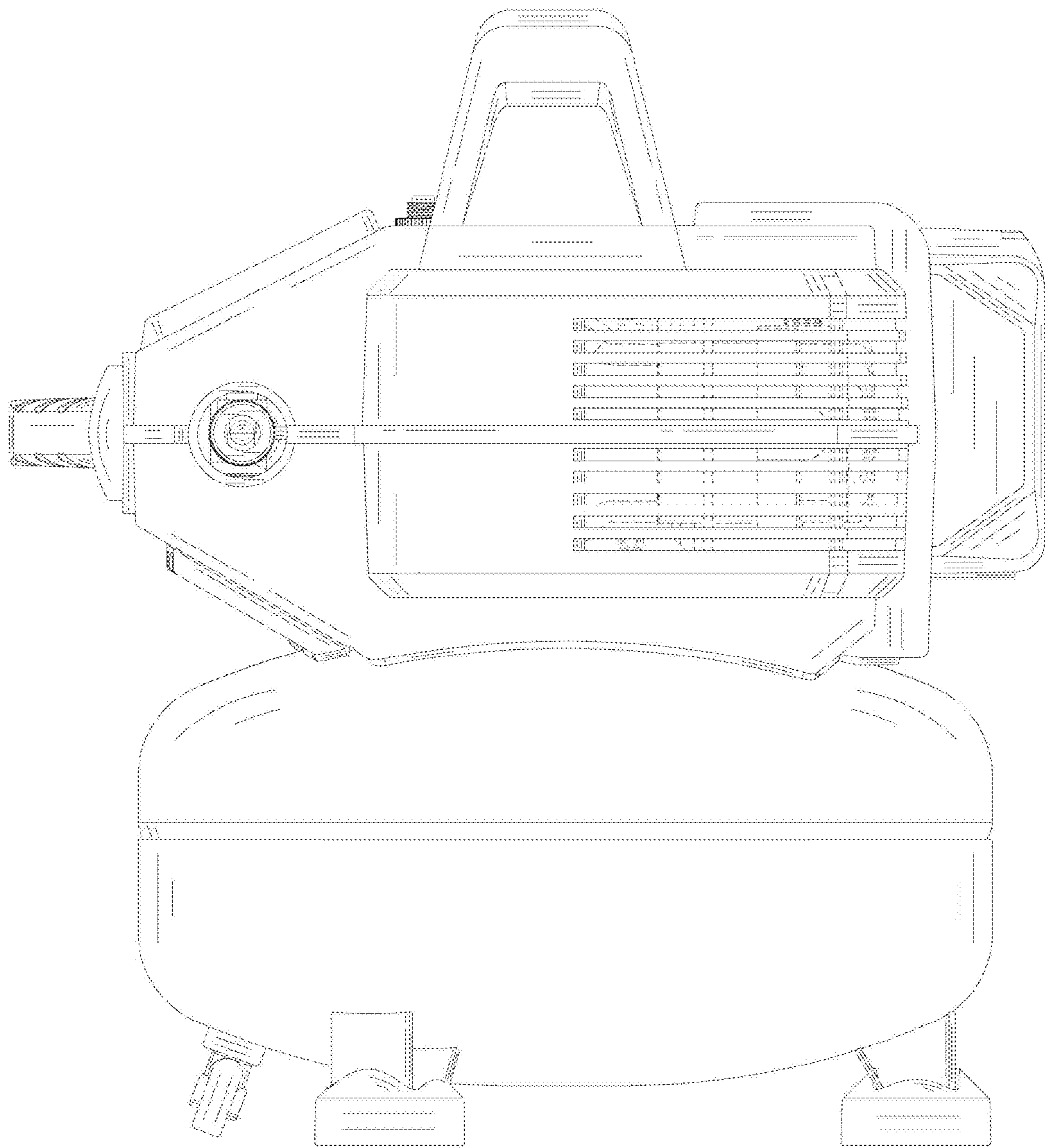


FIG. 4

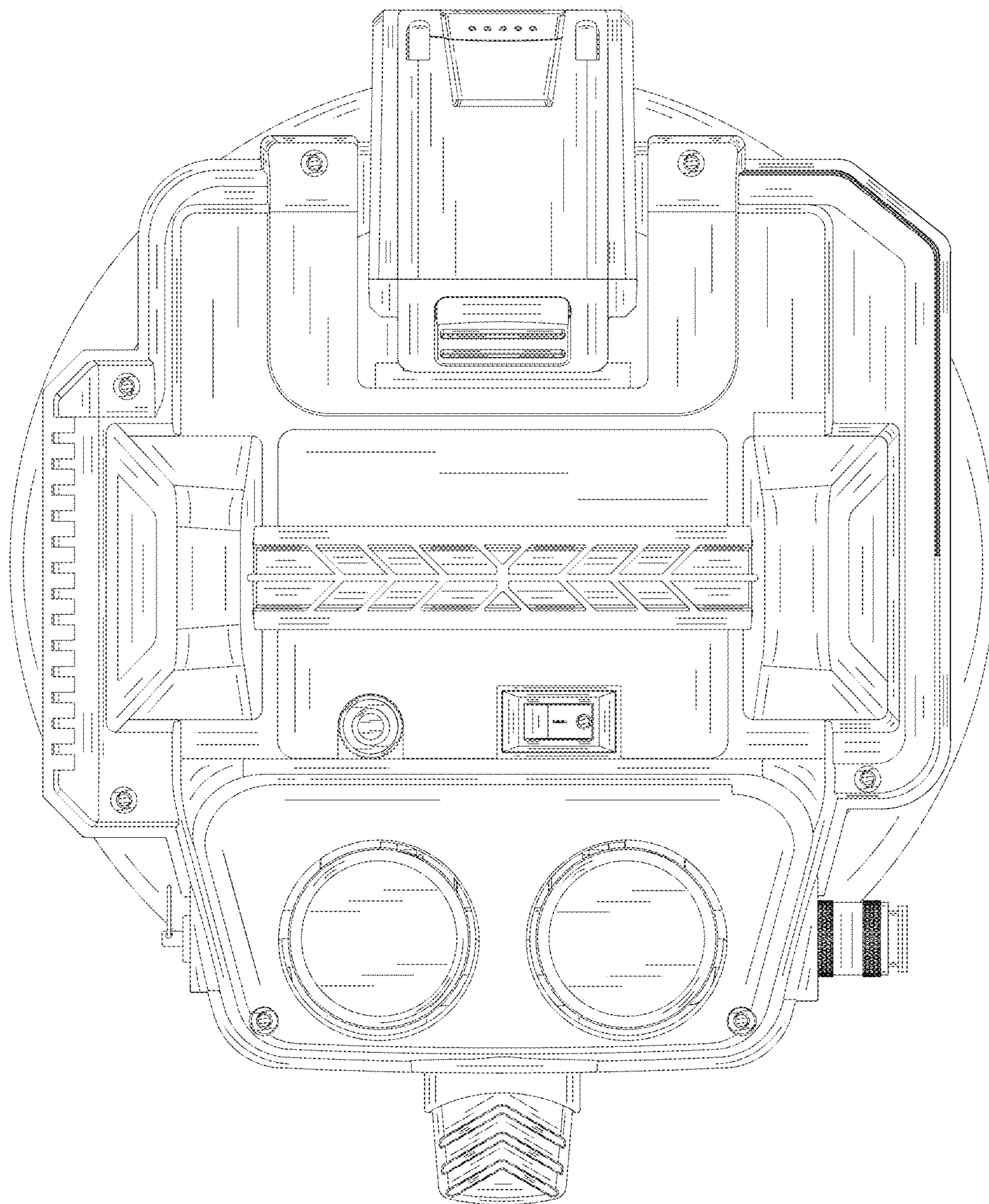


FIG. 5

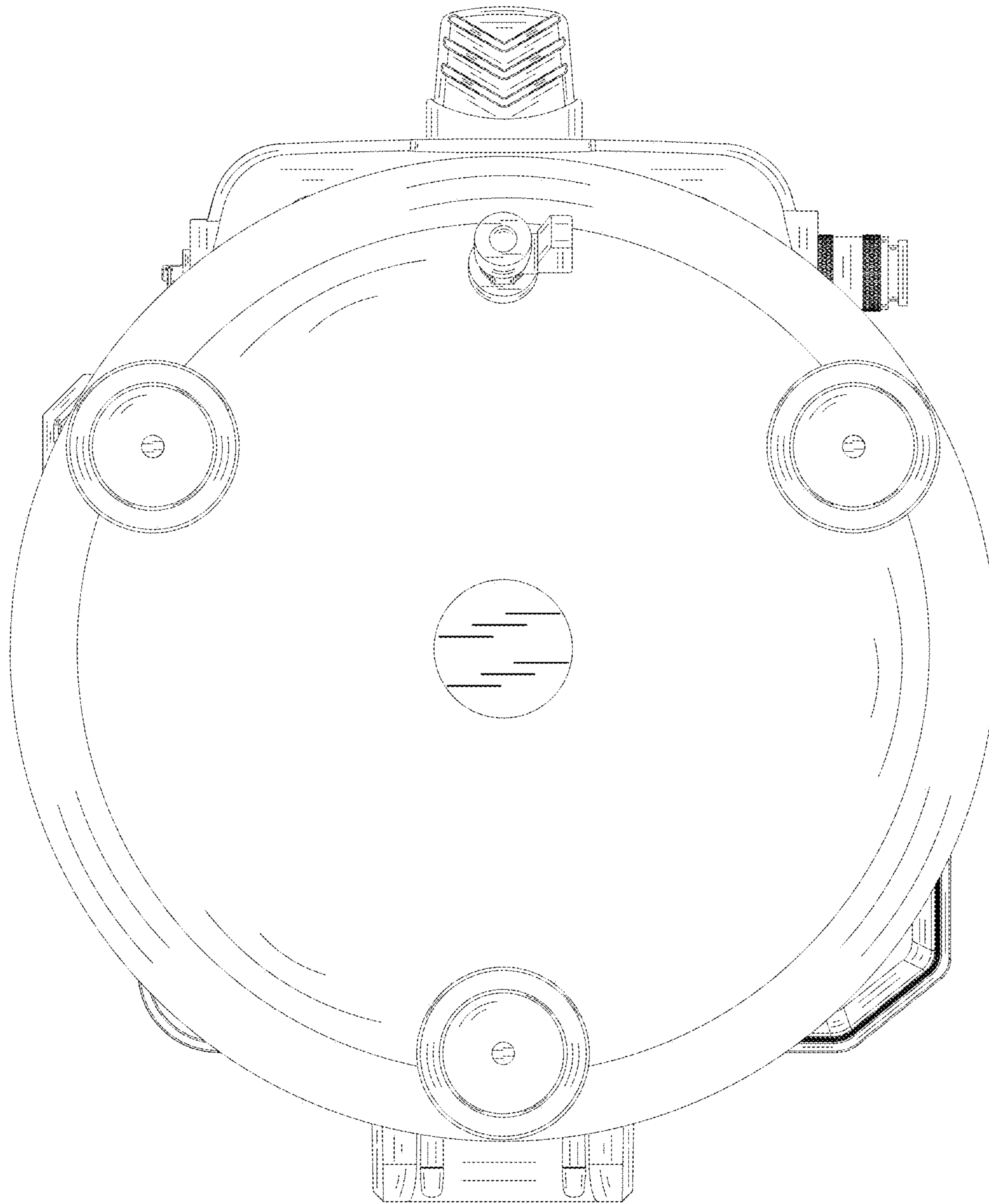


FIG. 6

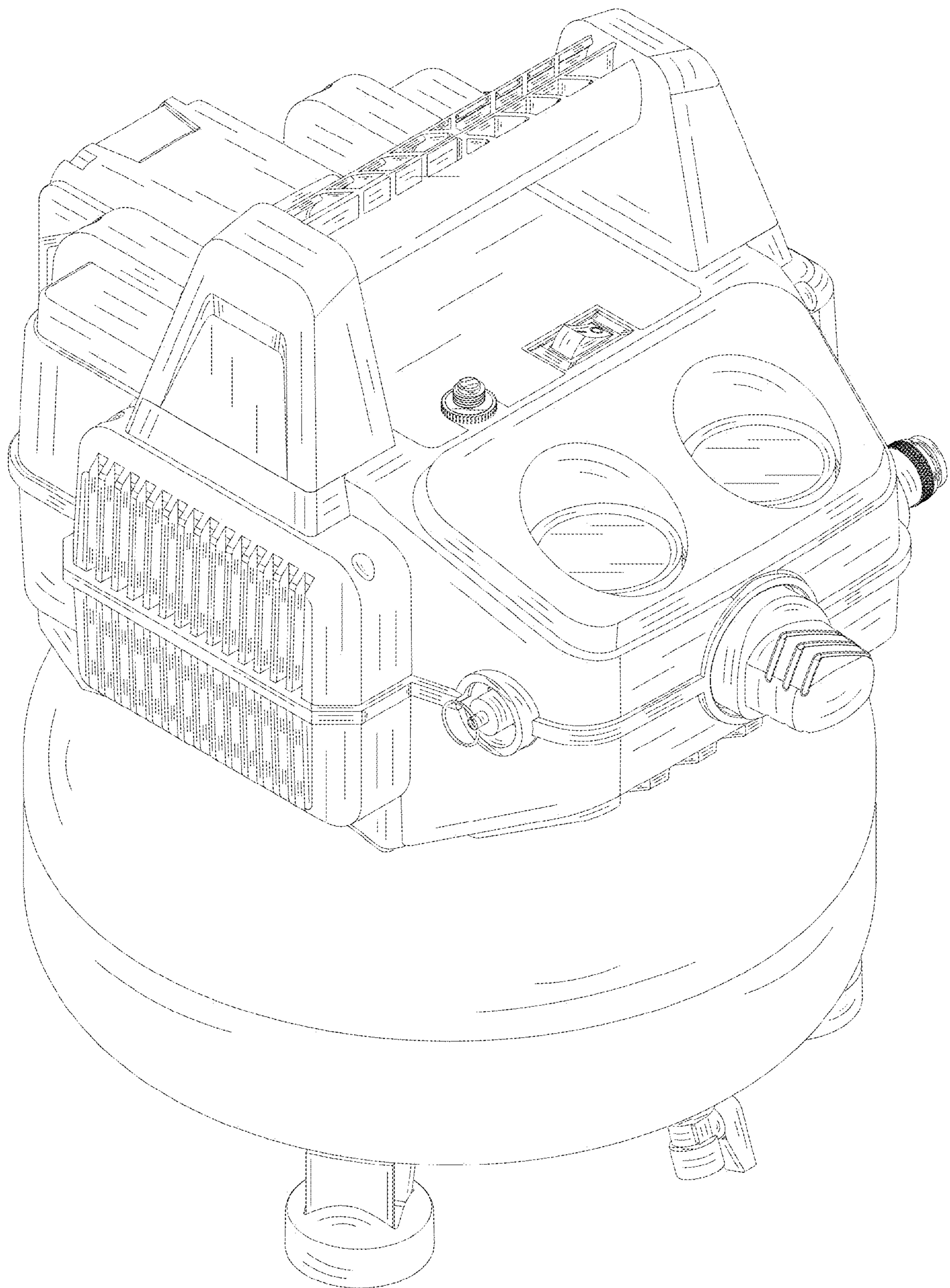


FIG. 7



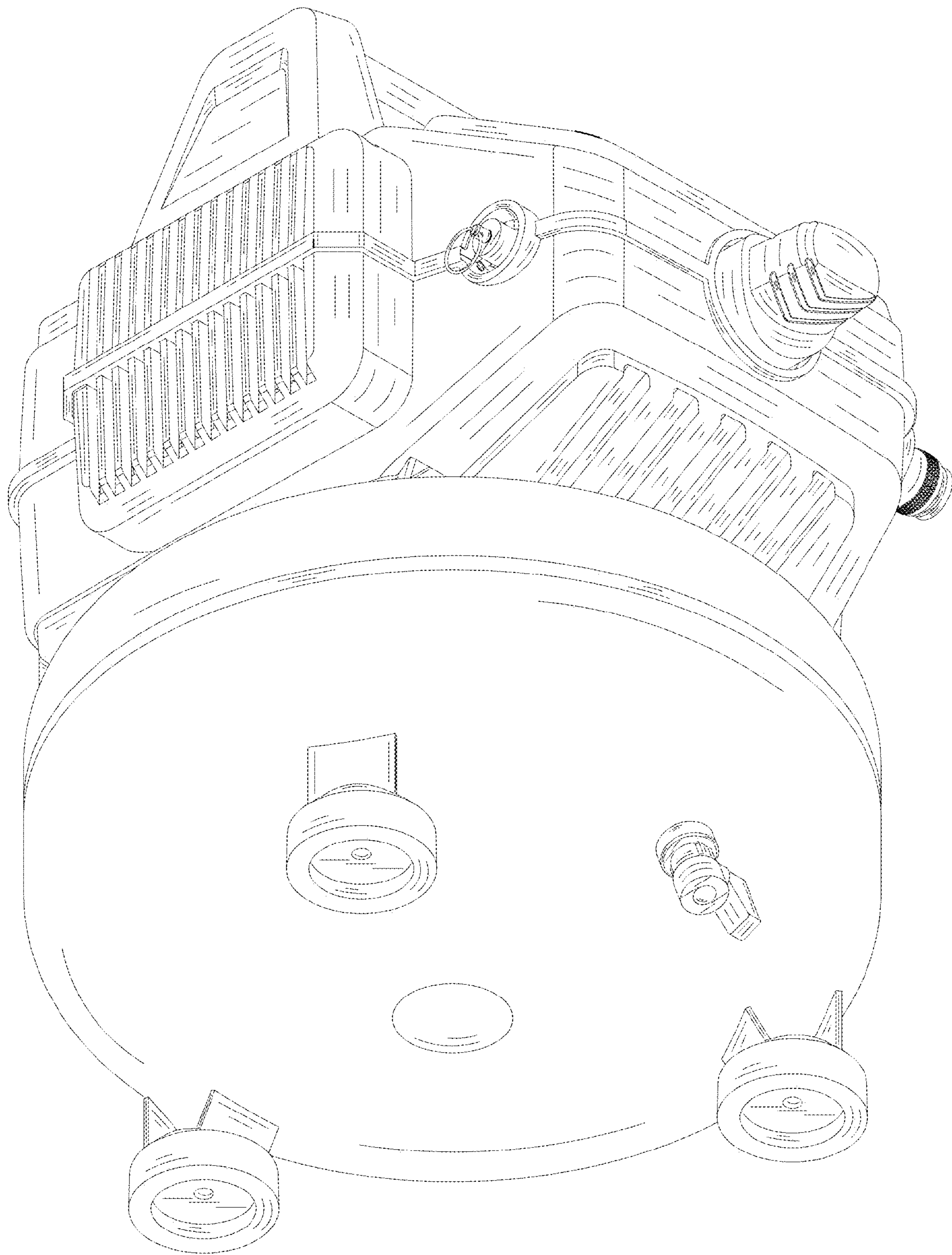


FIG. 8