

US00D898775S

(12) **United States Design Patent**
Gao

(10) **Patent No.:** **US D898,775 S**

(45) **Date of Patent:** **** Oct. 13, 2020**

- (54) **SILENT AIR COMPRESSOR**
- (71) Applicant: **Jiangsu Ecady Machinery Industry Group Co., Ltd, Kunshan (CN)**
- (72) Inventor: **Heping Gao, Wenling (CN)**
- (73) Assignee: **Jiangsu Ecady Machinery Industry Group Co., Ltd. (CN)**
- (**) Term: **15 Years**
- (21) Appl. No.: **29/678,692**
- (22) Filed: **Jan. 30, 2019**
- (51) **LOC (12) Cl.** **15-02**
- (52) **U.S. Cl.**
USPC **D15/9**
- (58) **Field of Classification Search**
USPC D15/7-9; D23/231, 232, 225
CPC F01D 5/14; F01D 5/12; F01D 5/04; F02B
33/40; F04D 29/42; F02M 37/04; F02M
37/14
See application file for complete search history.

D515,591	S	*	2/2006	Buck	D15/9
D516,092	S	*	2/2006	Buck	D15/9
D529,518	S	*	10/2006	Buck	D15/9
D539,310	S	*	3/2007	Matsuoka	D15/9
D541,306	S	*	4/2007	Welsh	D15/9
D559,273	S	*	1/2008	Hernandez	D15/9
D574,017	S	*	7/2008	Hernandez, Jr.	D15/9
D574,859	S	*	8/2008	Hernandez	D15/9
D589,985	S	*	4/2009	Steinfels	D15/9
D590,843	S	*	4/2009	Averill	D15/9
D604,746	S	*	11/2009	Nishido	D15/7
D664,996	S	*	8/2012	Hsiao	D15/9
D680,555	S	*	4/2013	Craig	D15/7
D680,556	S	*	4/2013	Craig	D15/7
D691,639	S	*	10/2013	Hirai	D15/7
8,770,341	B2	*	7/2014	Wood	F04B 23/10 181/229
D710,902	S	*	8/2014	Vintzel	D15/9
D710,903	S	*	8/2014	Vintzel	D15/9

(Continued)

Primary Examiner — Mitchell I. Siegel

(57) **CLAIM**

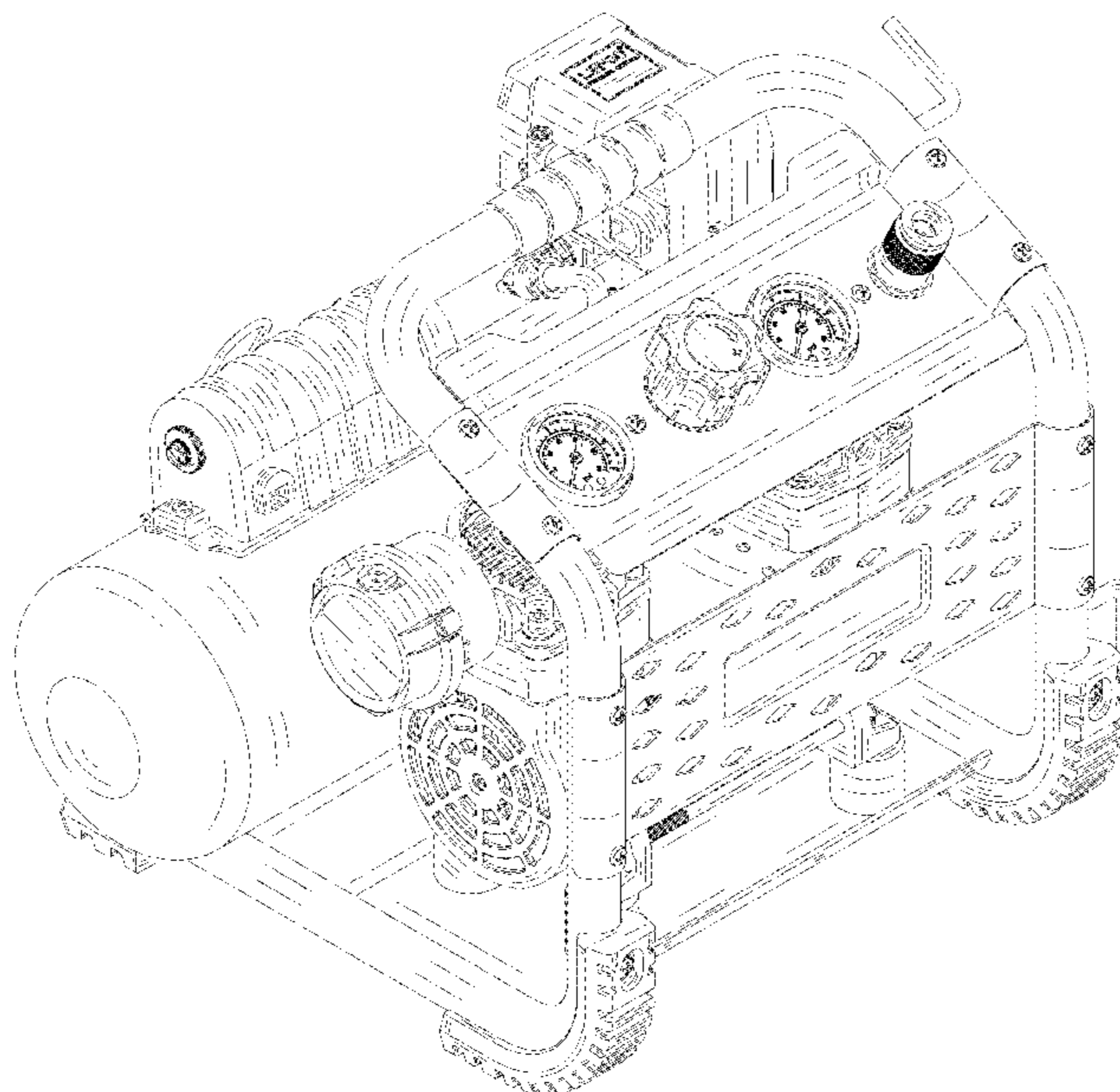
The ornamental design for a silent air compressor, as shown and described.

DESCRIPTION

FIG. 1 is a front view of a silent air compressor, showing my new design;
 FIG. 2 is a back view thereof;
 FIG. 3 is a left side view thereof;
 FIG. 4 is a right side view thereof;
 FIG. 5 is a top view thereof;
 FIG. 6 is a bottom view thereof;
 FIG. 7 is a perspective view thereof; and,
 FIG. 8 is another perspective view thereof, shown with the stand in extended condition.
 The broken lines in the drawing depict portions of the silent air compressor that form no part of the claimed design.

1 Claim, 8 Drawing Sheets

- (56) **References Cited**
U.S. PATENT DOCUMENTS
- 2,626,740 A * 1/1953 Levy F04B 39/0011
417/101
- D454,357 S * 3/2002 Diels D15/7
- D460,763 S * 7/2002 Buck D15/9
- D461,196 S * 8/2002 Buck D15/9
- D471,918 S * 3/2003 Buck D15/9
- D482,371 S * 11/2003 Buck D15/9
- D493,179 S * 7/2004 Buck D15/9
- D499,431 S * 12/2004 Chen D15/9
- D499,747 S * 12/2004 Buck D15/9
- D500,051 S * 12/2004 Lucchi D15/9
- D500,328 S * 12/2004 Lucchi D15/9
- D505,430 S * 5/2005 Buck D15/9
- D513,619 S * 1/2006 Hernandez D15/9



(56)

References Cited

U.S. PATENT DOCUMENTS

8,899,378 B2 *	12/2014	Wood	F04B 23/10
				181/229
D806,134 S *	12/2017	Wood	D15/9
D806,753 S *	1/2018	Wood	D15/7
D806,755 S *	1/2018	Wood	D15/9
D832,892 S *	11/2018	Wood	D15/9
D854,585 S *	7/2019	Bindhammer	D15/9
D880,531 S *	4/2020	Gao	D15/9

* cited by examiner

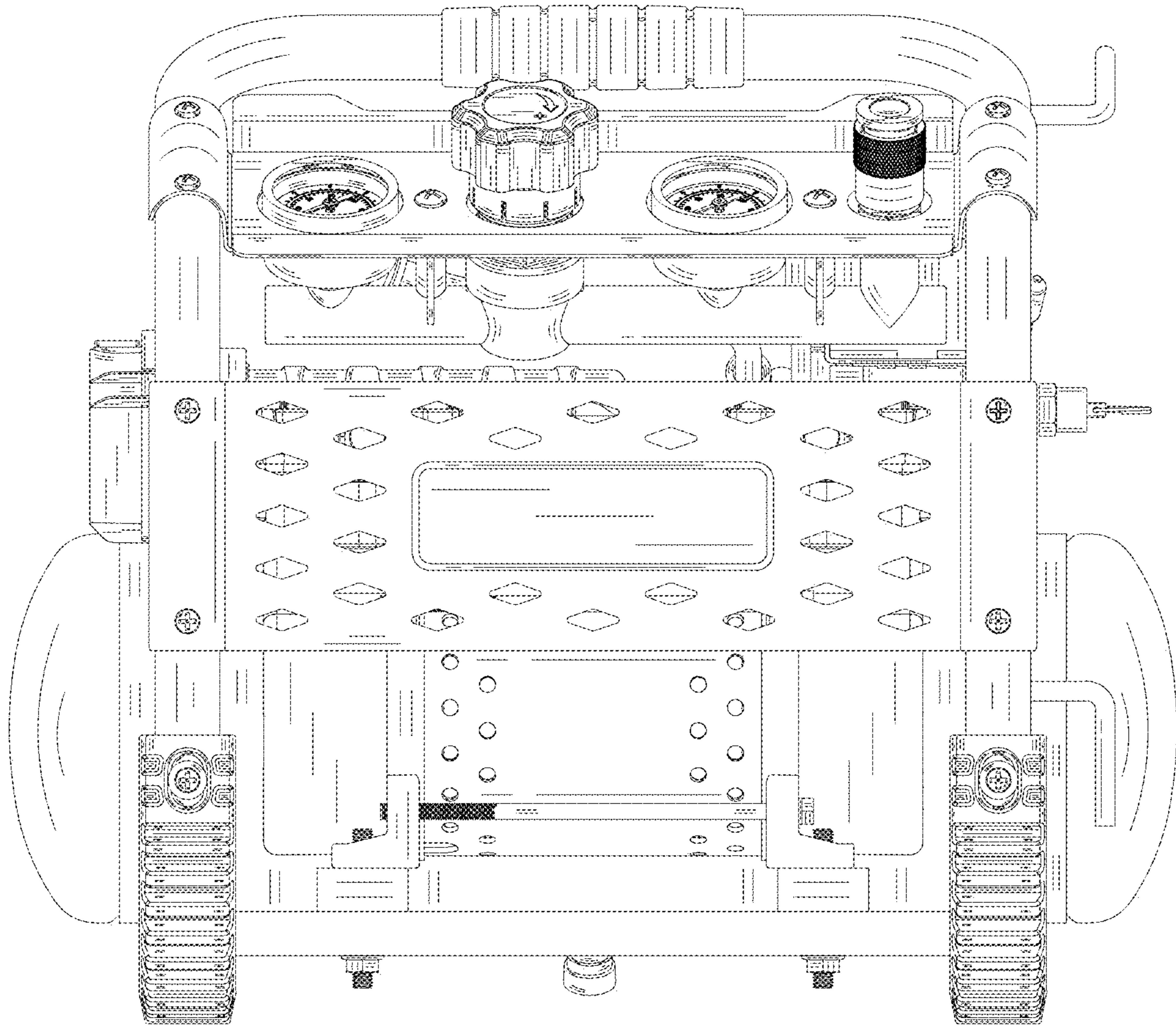


FIG. 1

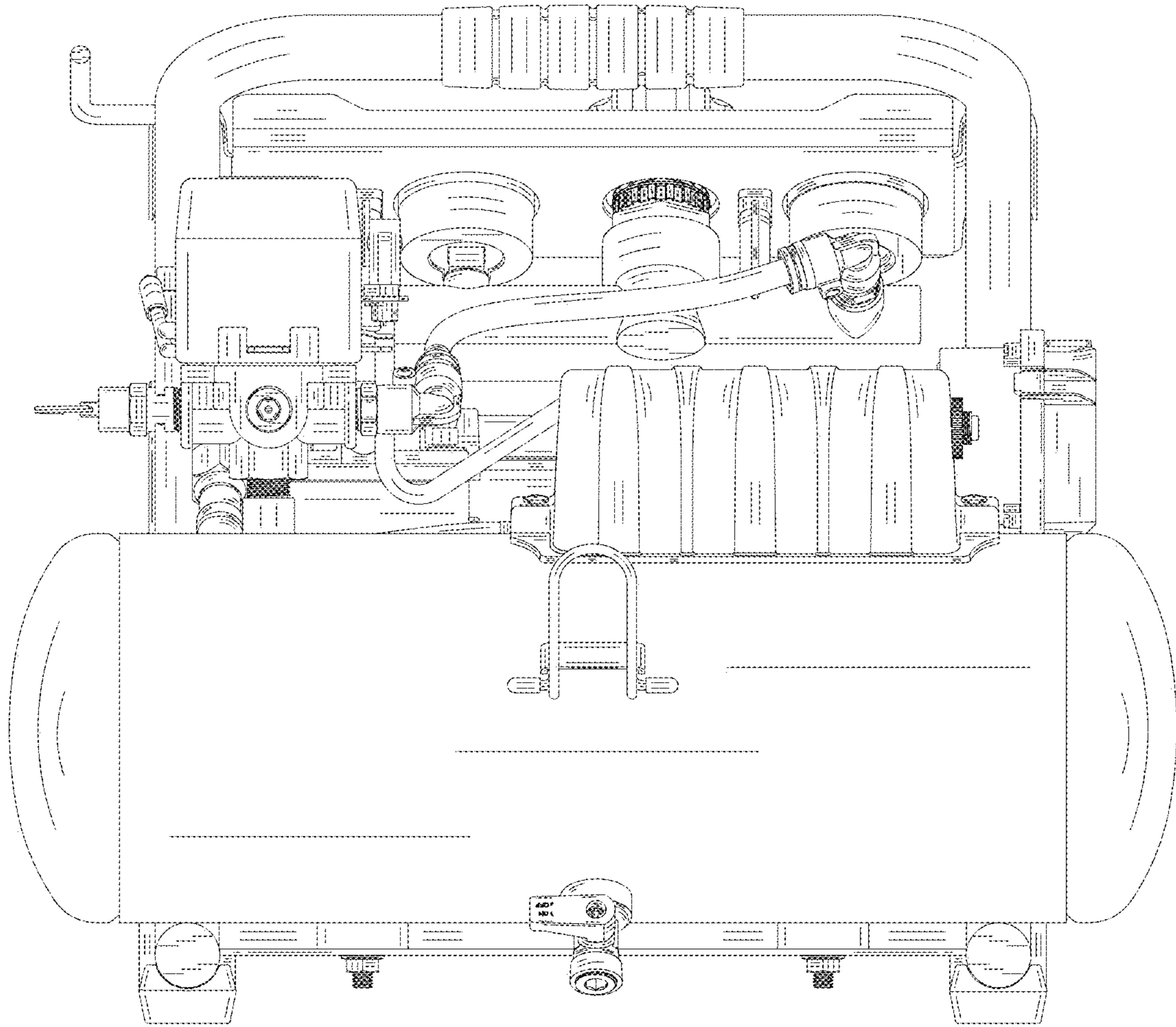


FIG. 2

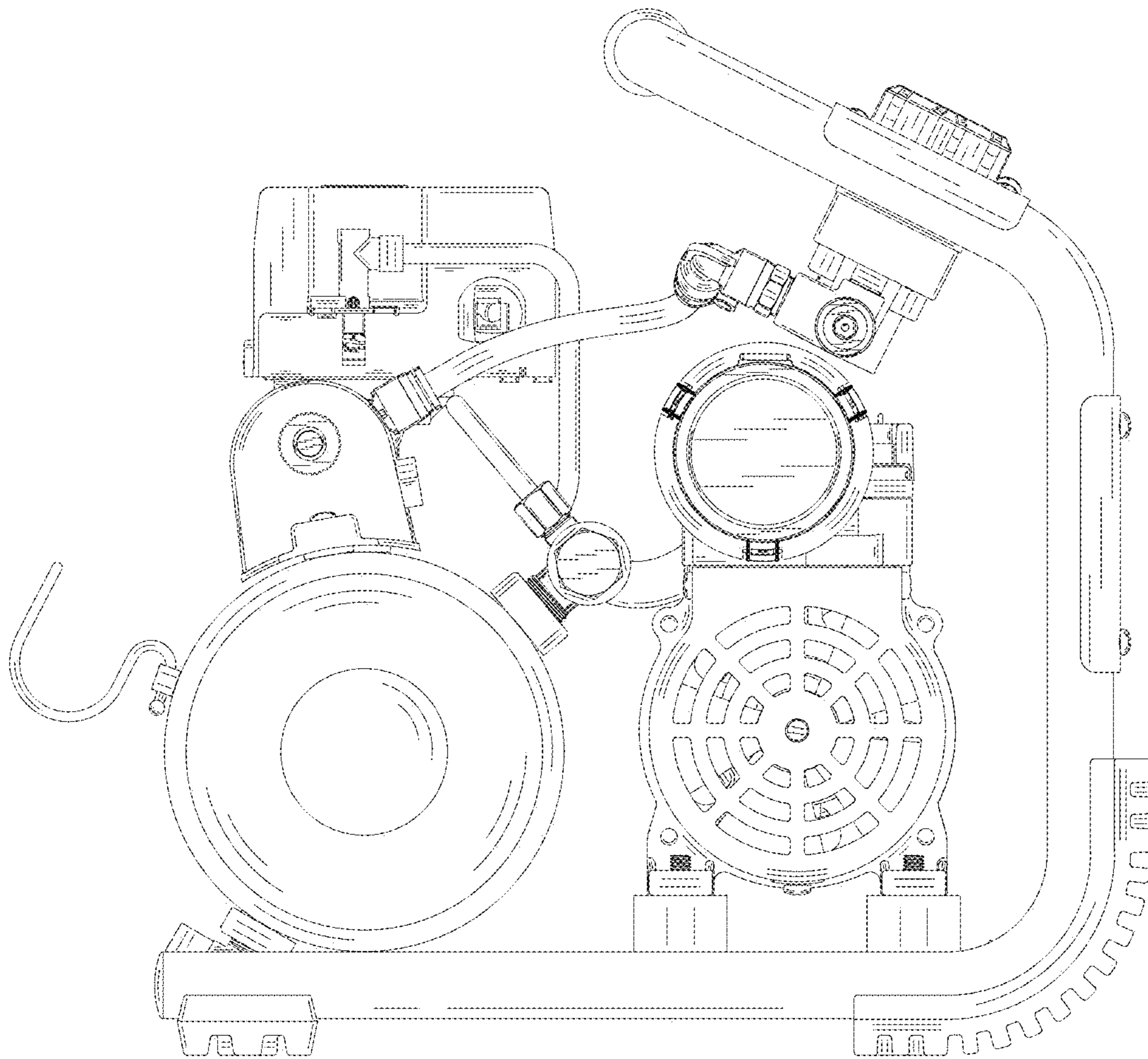


FIG. 3

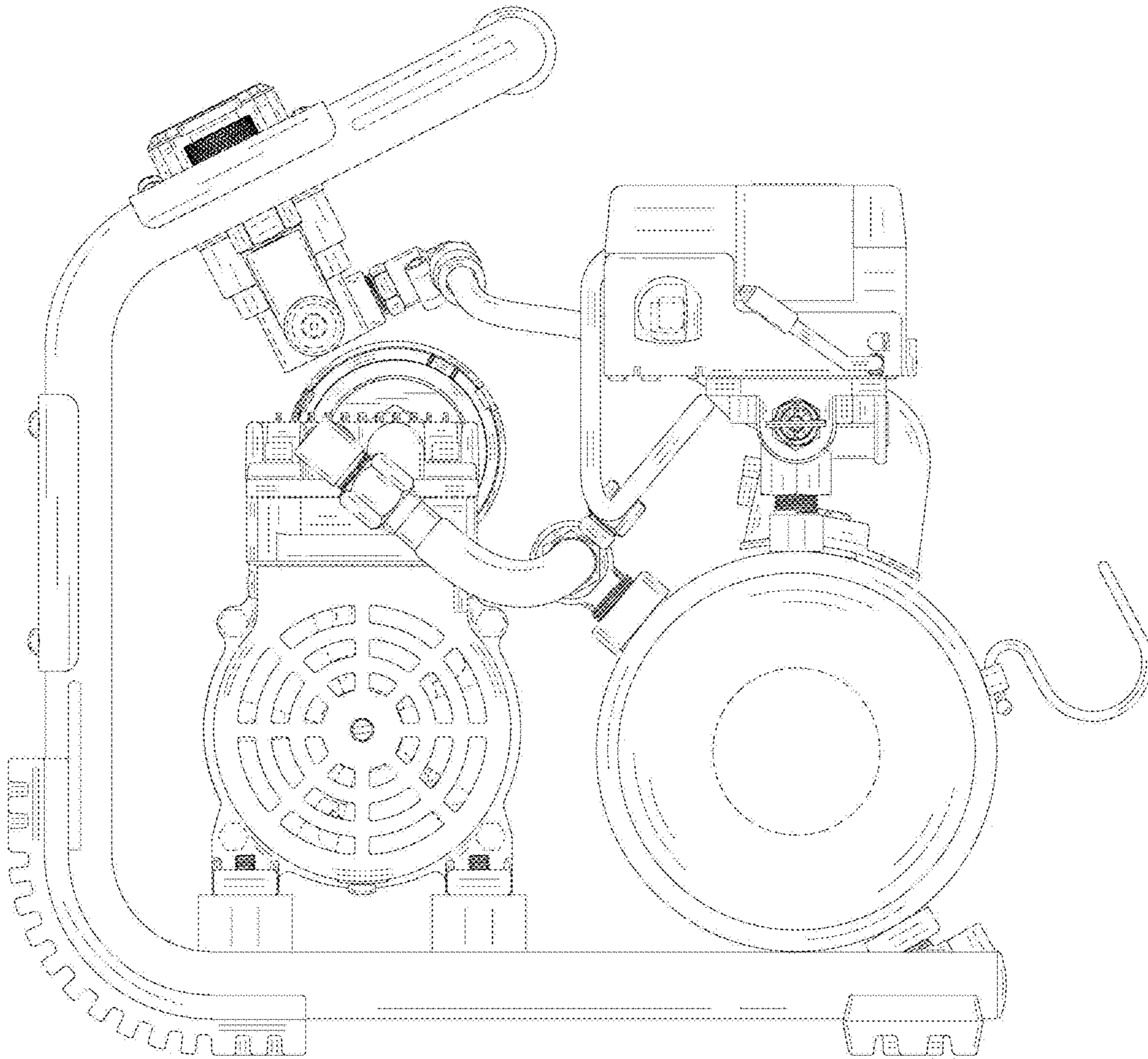


FIG. 4

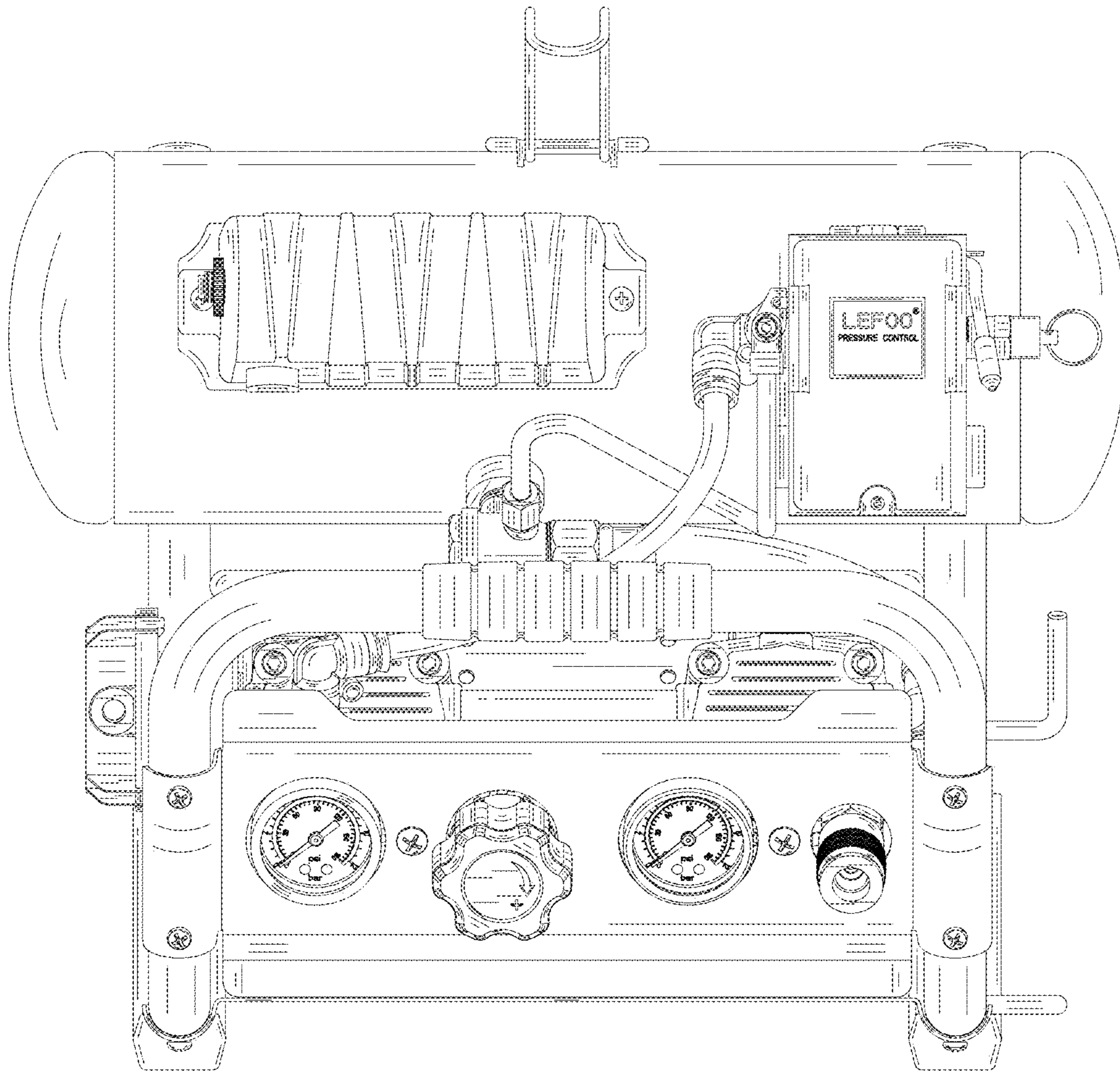


FIG. 5

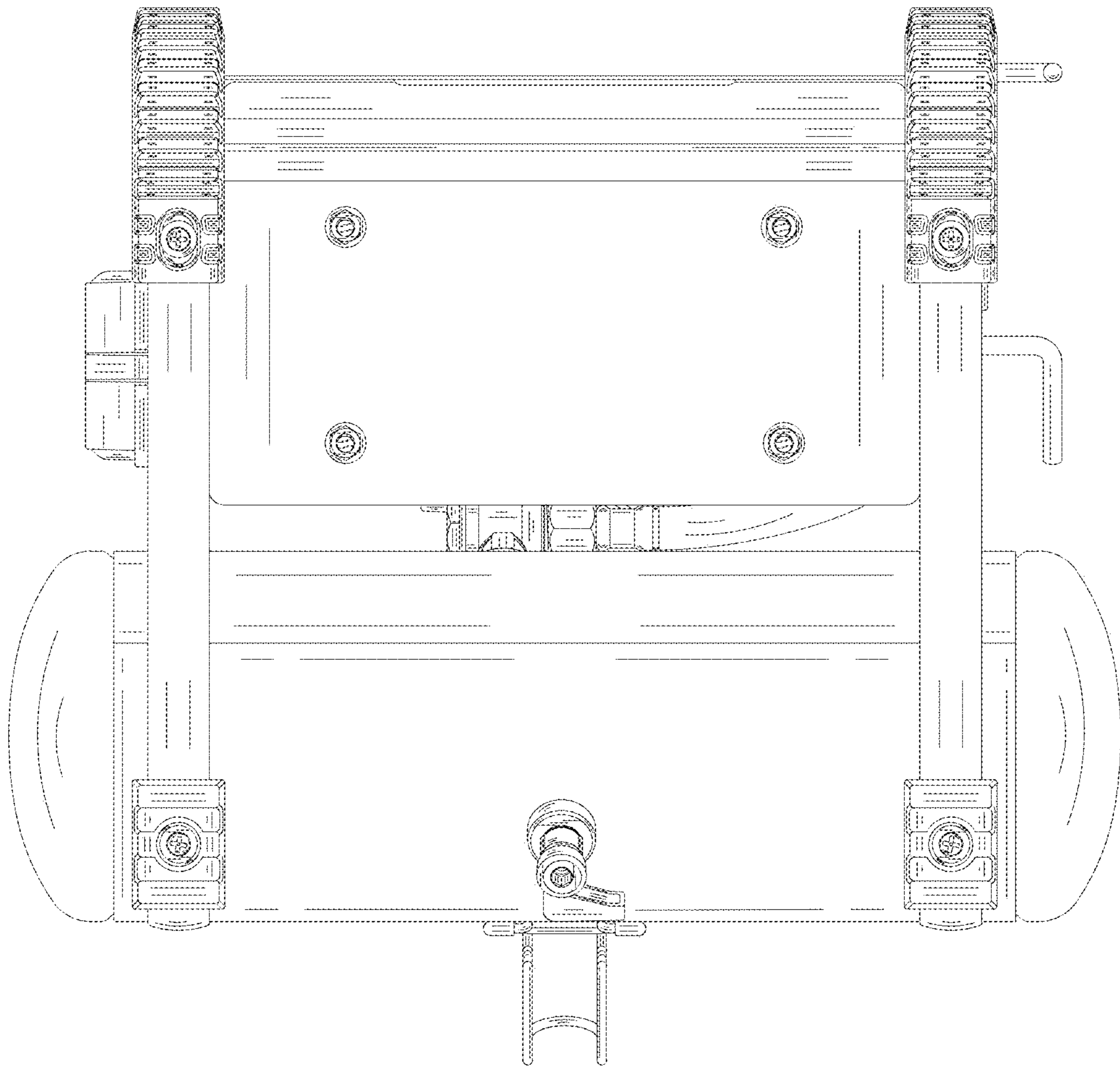


FIG. 6

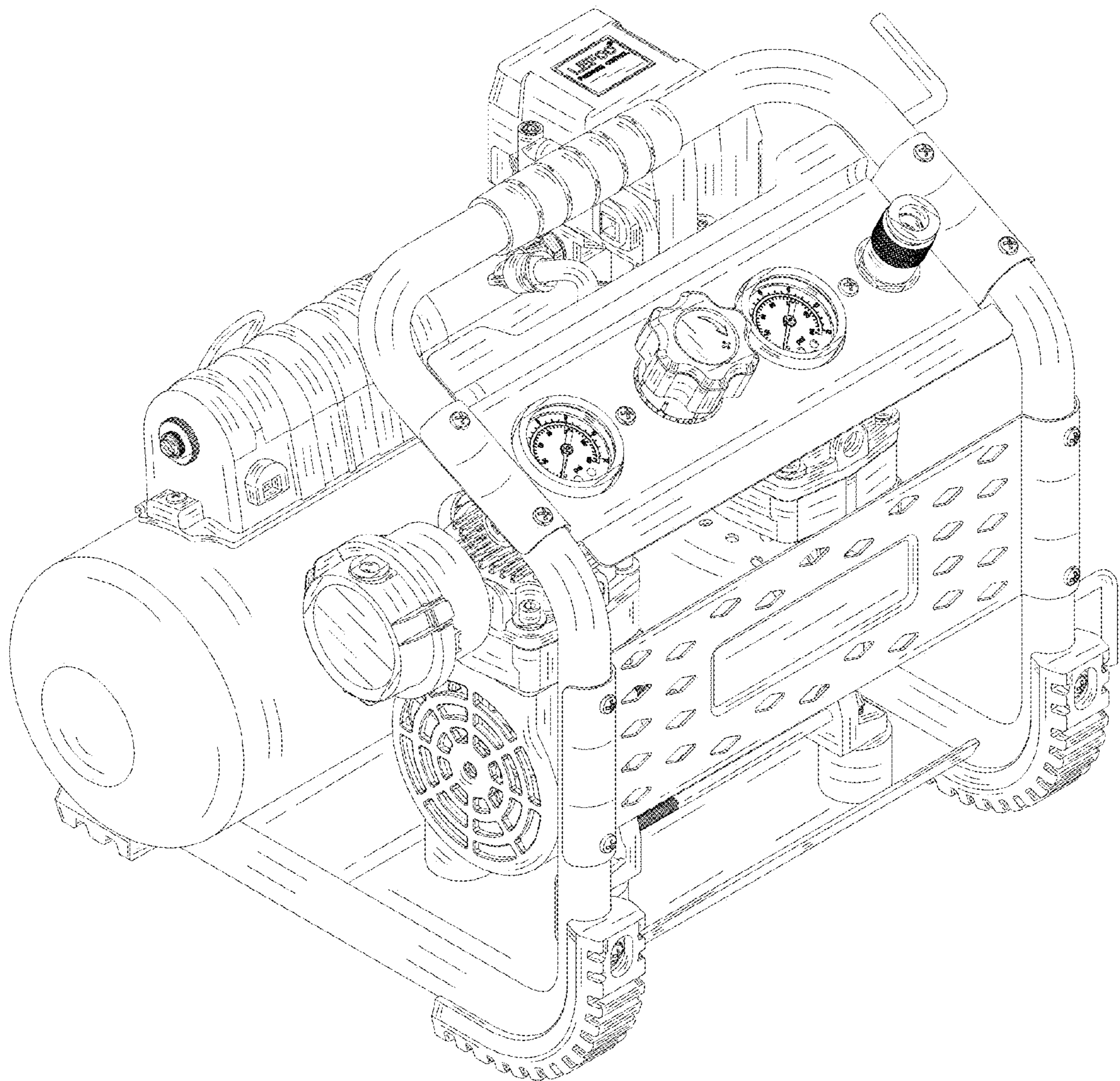


FIG. 7

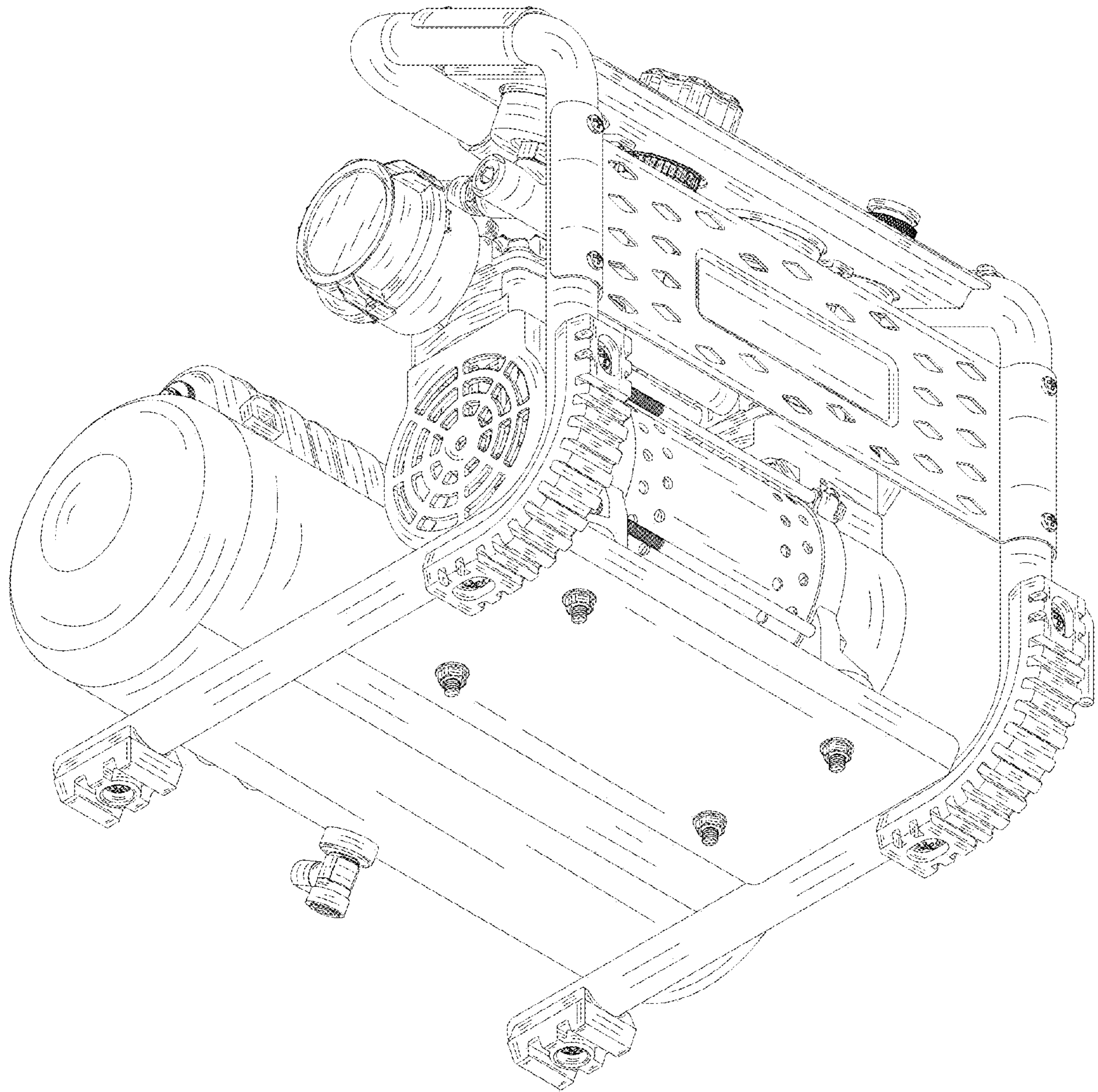


FIG. 8