



US00D898774S

(12) **United States Design Patent**
Monden et al.

(10) **Patent No.:** **US D898,774 S**
(45) **Date of Patent:** **** Oct. 13, 2020**

(54) **BOOSTER REGULATOR**

FOREIGN PATENT DOCUMENTS

(71) Applicant: **SMC CORPORATION**, Tokyo (JP)

JP 1314687 S 11/2007
JP 1376186 S 12/2009
JP 1403685 S 12/2010

(72) Inventors: **Kengo Monden**, Ushiku (JP);
Kazutaka Someya, Kashiwa (JP)

Primary Examiner — Gino Colan

(74) *Attorney, Agent, or Firm* — Birch, Stewart, Kolasch & Birch, LLP

(73) Assignee: **SMC CORPORATION**, Tokyo (JP)

(57) **CLAIM**

(**) Term: **15 Years**

The ornamental design for a booster regulator, as shown and described.

(21) Appl. No.: **29/699,743**

DESCRIPTION

(22) Filed: **Jul. 29, 2019**

(30) **Foreign Application Priority Data**

Feb. 28, 2019 (CN) 2019 3 0081737

(51) **LOC (12) Cl.** **15-02**

(52) **U.S. Cl.**

USPC **D15/7**

(58) **Field of Classification Search**

USPC D15/5, 7, 138, 143; 417/415–416, 339,
417/321, 360, 265, 410.1, 359; D23/235

CPC F02D 35/023; F02D 2200/0406; F02D
41/008; F15B 15/1447; F15B 15/149;
F15B 15/1438; F15B 15/1457; F15B
15/1461; F15B 15/1428

See application file for complete search history.

(56) **References Cited**

U.S. PATENT DOCUMENTS

D317,922 S * 7/1991 Toyoda D15/5
D329,434 S * 9/1992 Toyoda D13/158
D365,352 S * 12/1995 Miyamoto D15/143
D373,363 S * 9/1996 Miyachi D15/143
D380,217 S * 6/1997 Jermeay D15/5
D572,272 S * 7/2008 Igarashi D15/7

(Continued)

FIG. 1 is a front, top and right side perspective view of a booster regulator showing a first embodiment of our new design;

FIG. 2 is a rear, top and left side perspective view thereof;
FIG. 3 is a rear, bottom and left side perspective view thereof;

FIG. 4 is a front view thereof;

FIG. 5 is a rear view thereof;

FIG. 6 is a top plan view thereof;

FIG. 7 is a bottom plan view thereof;

FIG. 8 is a left side view thereof;

FIG. 9 is a right side view thereof;

FIG. 10 is a front, top and right side perspective view of a booster regulator showing a second embodiment of our new design;

FIG. 11 is a rear, top and left side perspective view of FIG. 10;

FIG. 12 is a rear, bottom and left side perspective view of FIG. 10;

FIG. 13 is a front view of FIG. 10;

FIG. 14 is a rear view of FIG. 10;

FIG. 15 is a top plan view of FIG. 10;

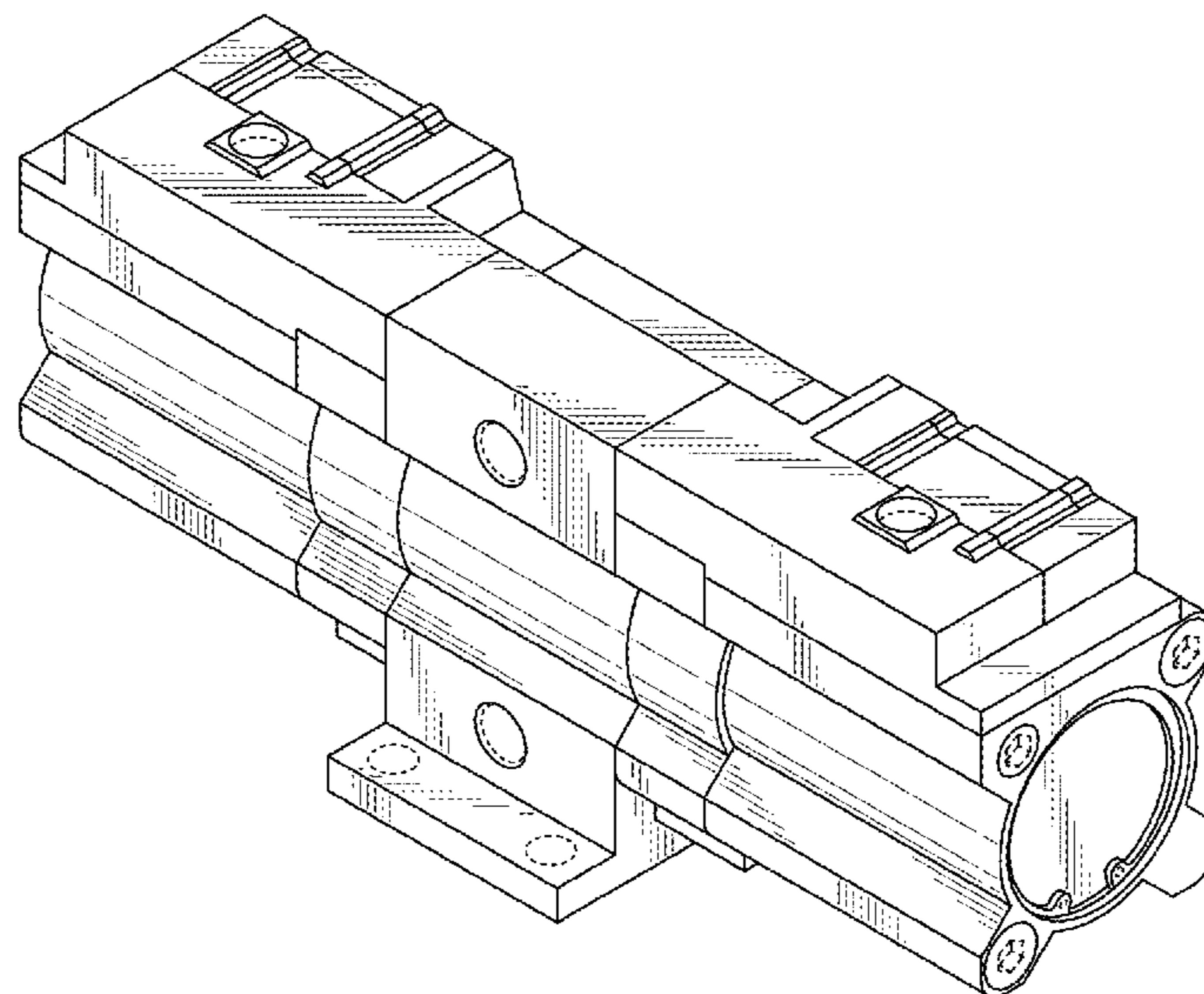
FIG. 16 is a bottom plan view of FIG. 10;

FIG. 17 is a left side view of FIG. 10; and,

FIG. 18 is a right side view of FIG. 10.

The broken lines depict portions of the booster regulator that form no part of the claimed design.

1 Claim, 18 Drawing Sheets



(56)

References Cited

U.S. PATENT DOCUMENTS

D626,968 S * 11/2010 Iwata D15/5
D629,494 S * 12/2010 Sato D23/235

* cited by examiner

FIG. 1

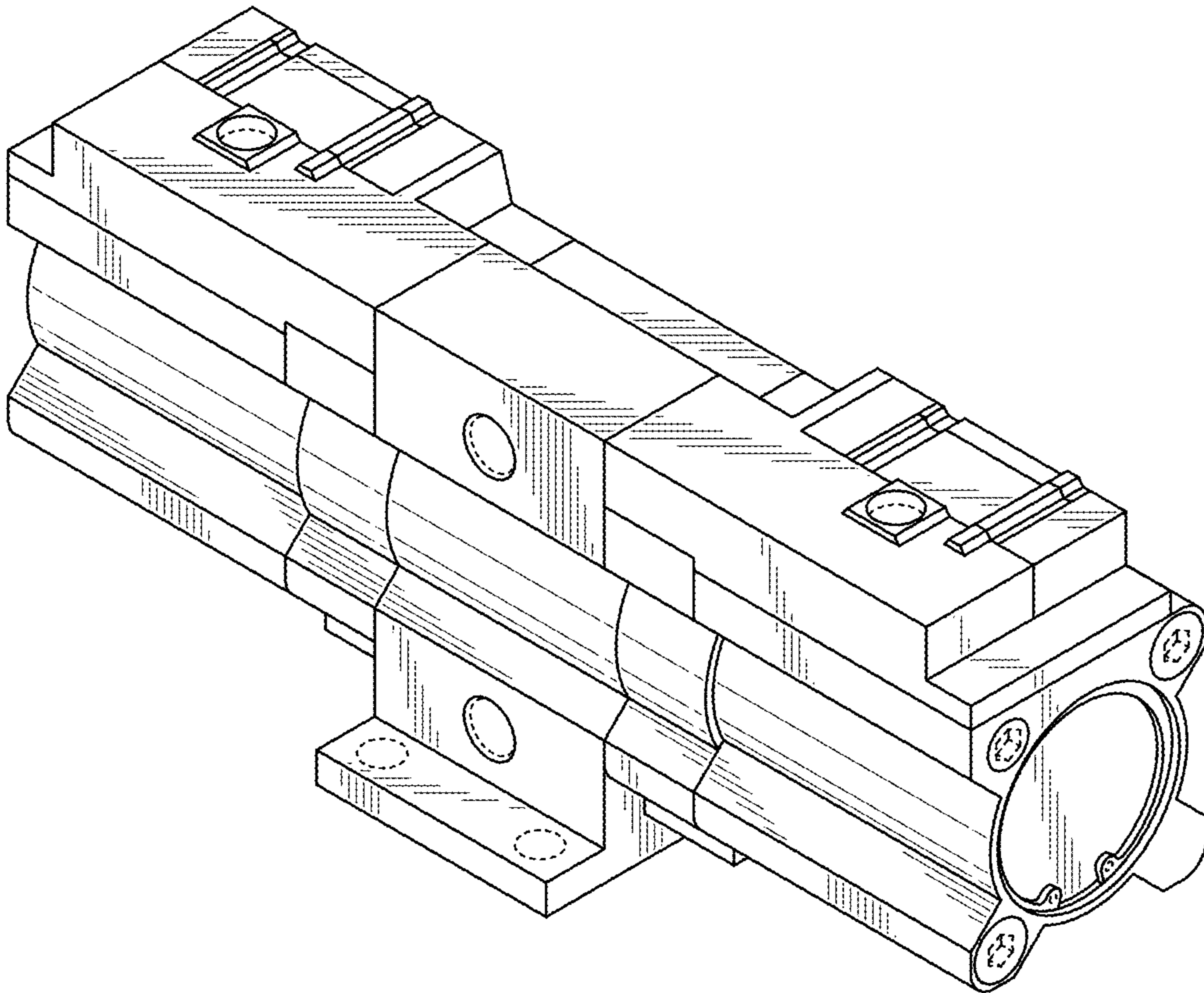


FIG. 2

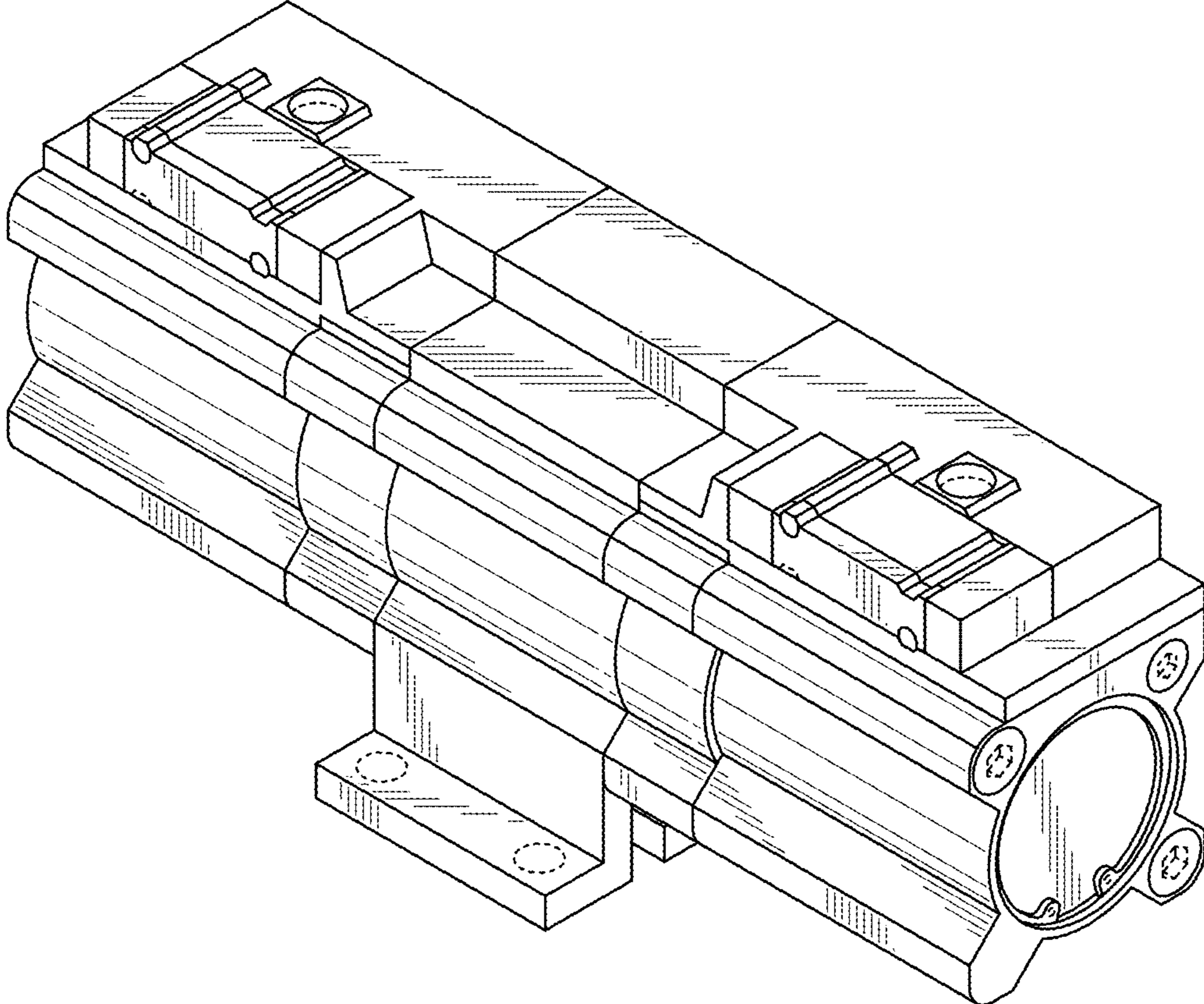


FIG. 3

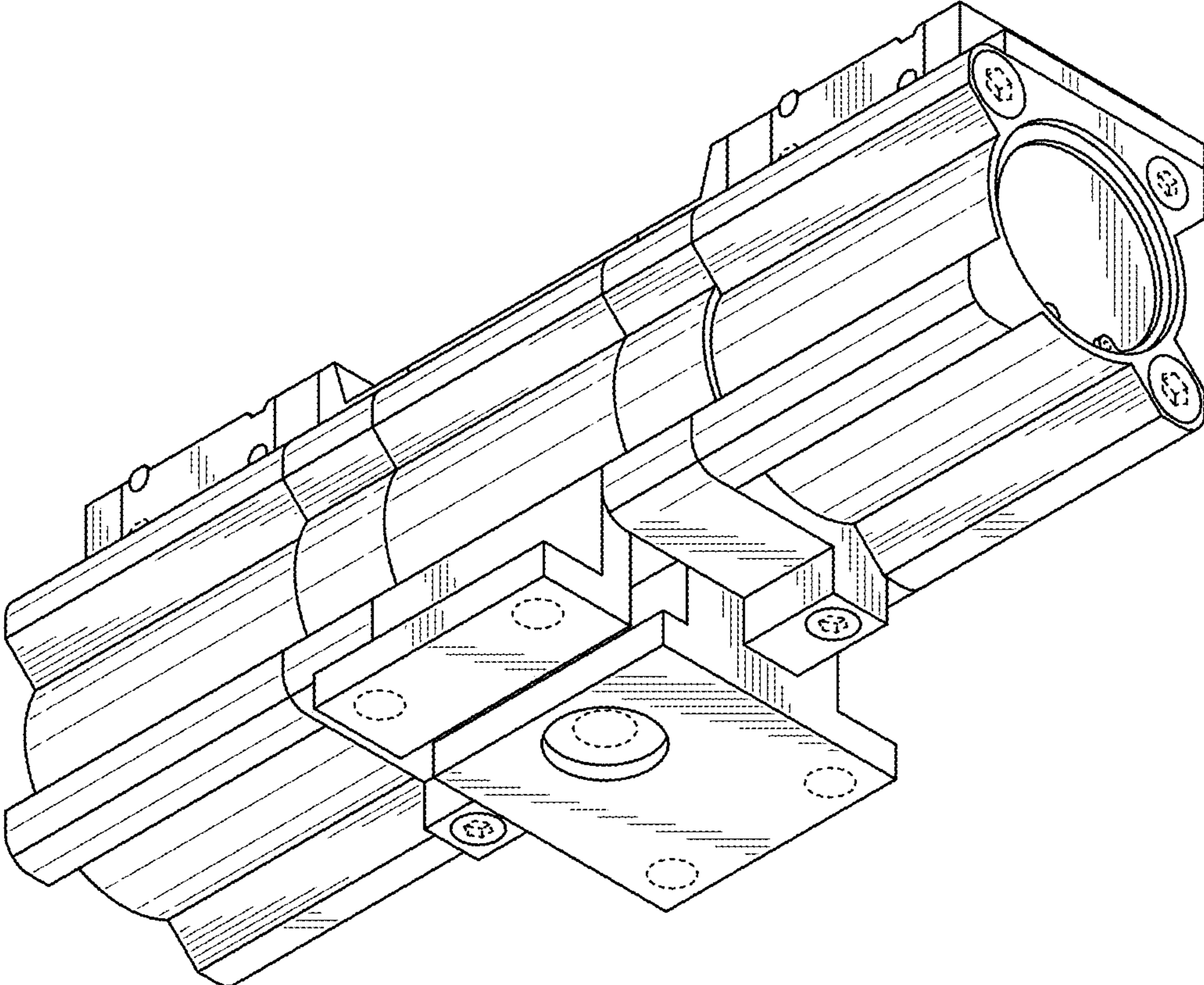


FIG. 4

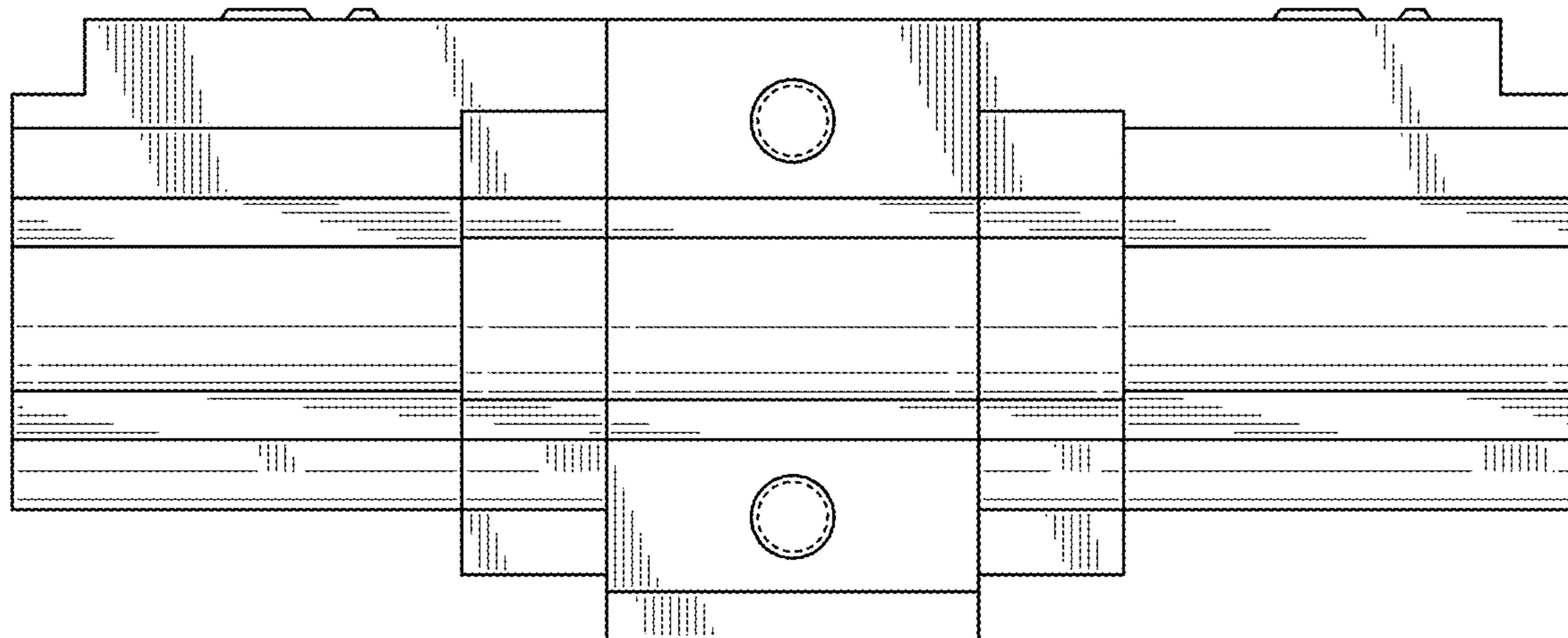


FIG. 5

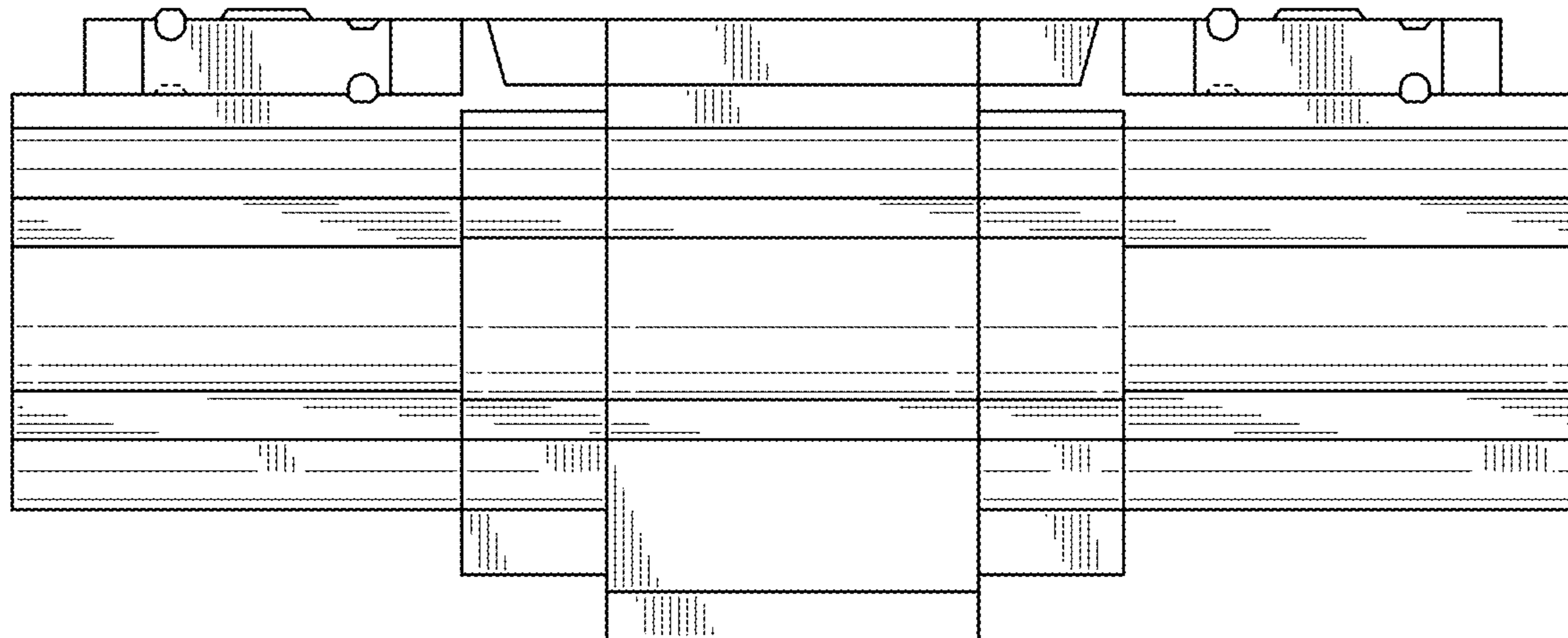


FIG. 6

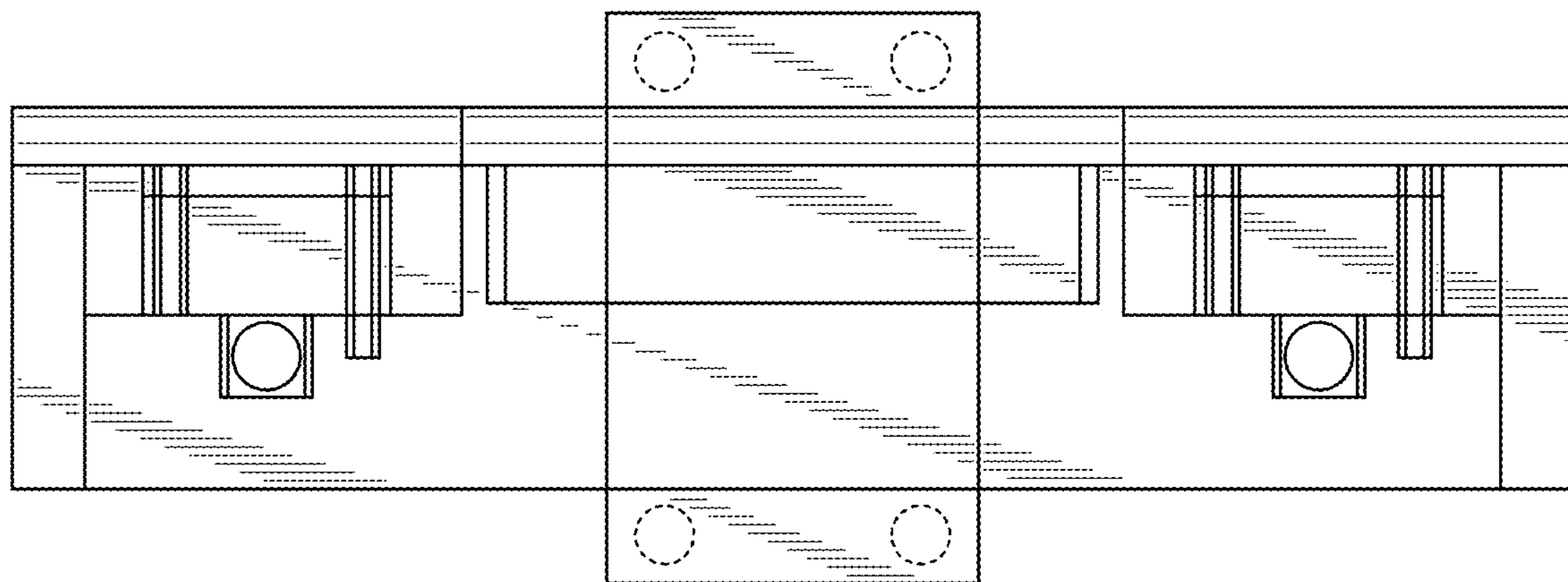


FIG. 7

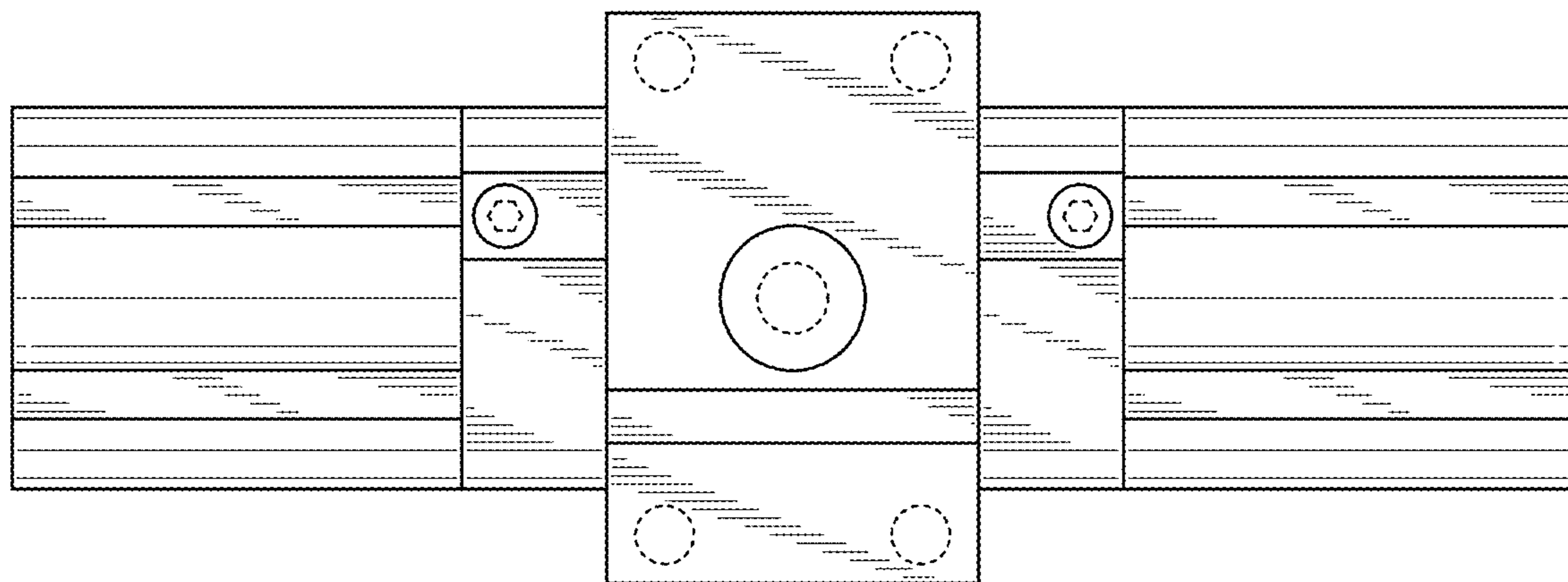


FIG. 8

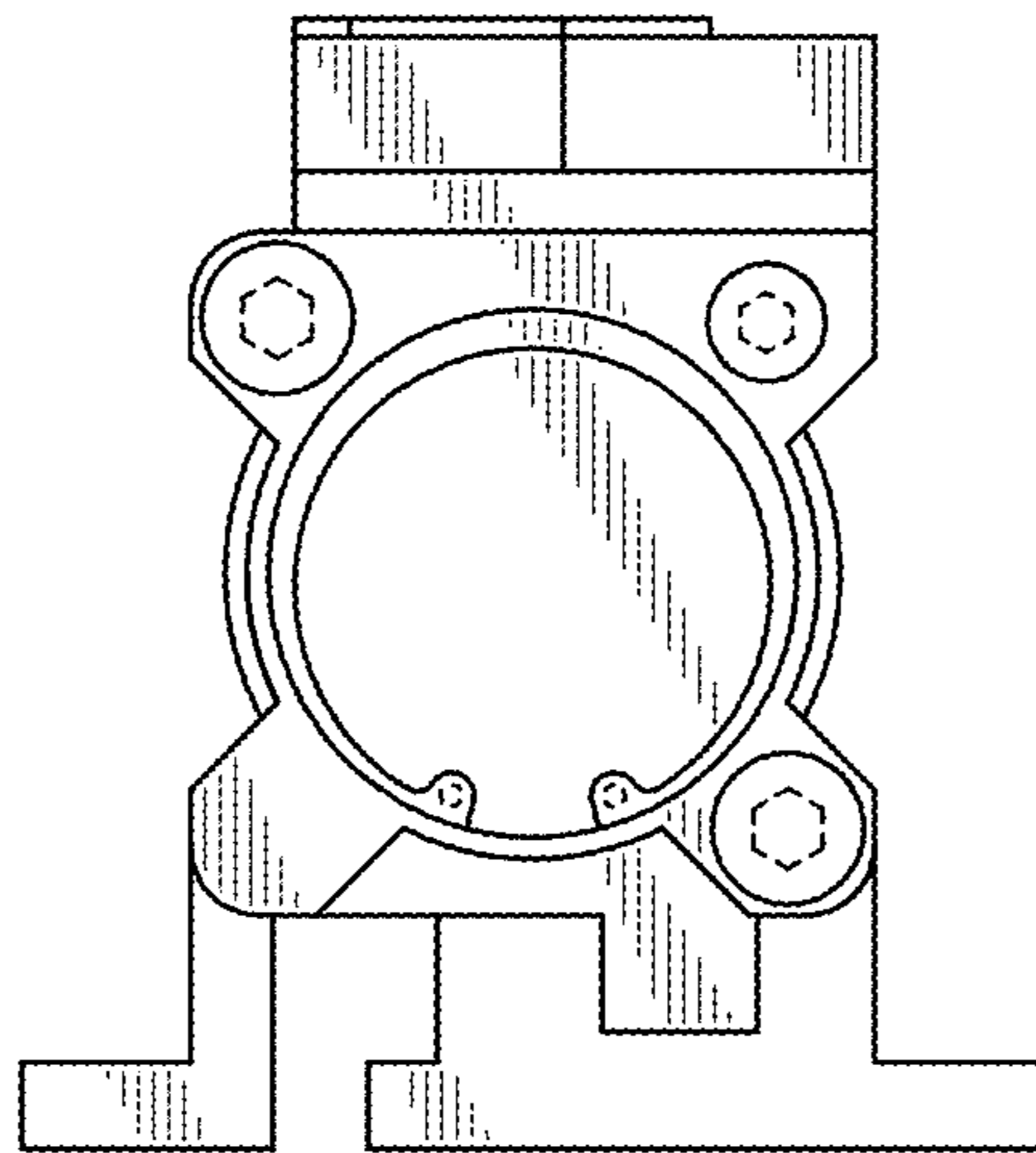


FIG. 9

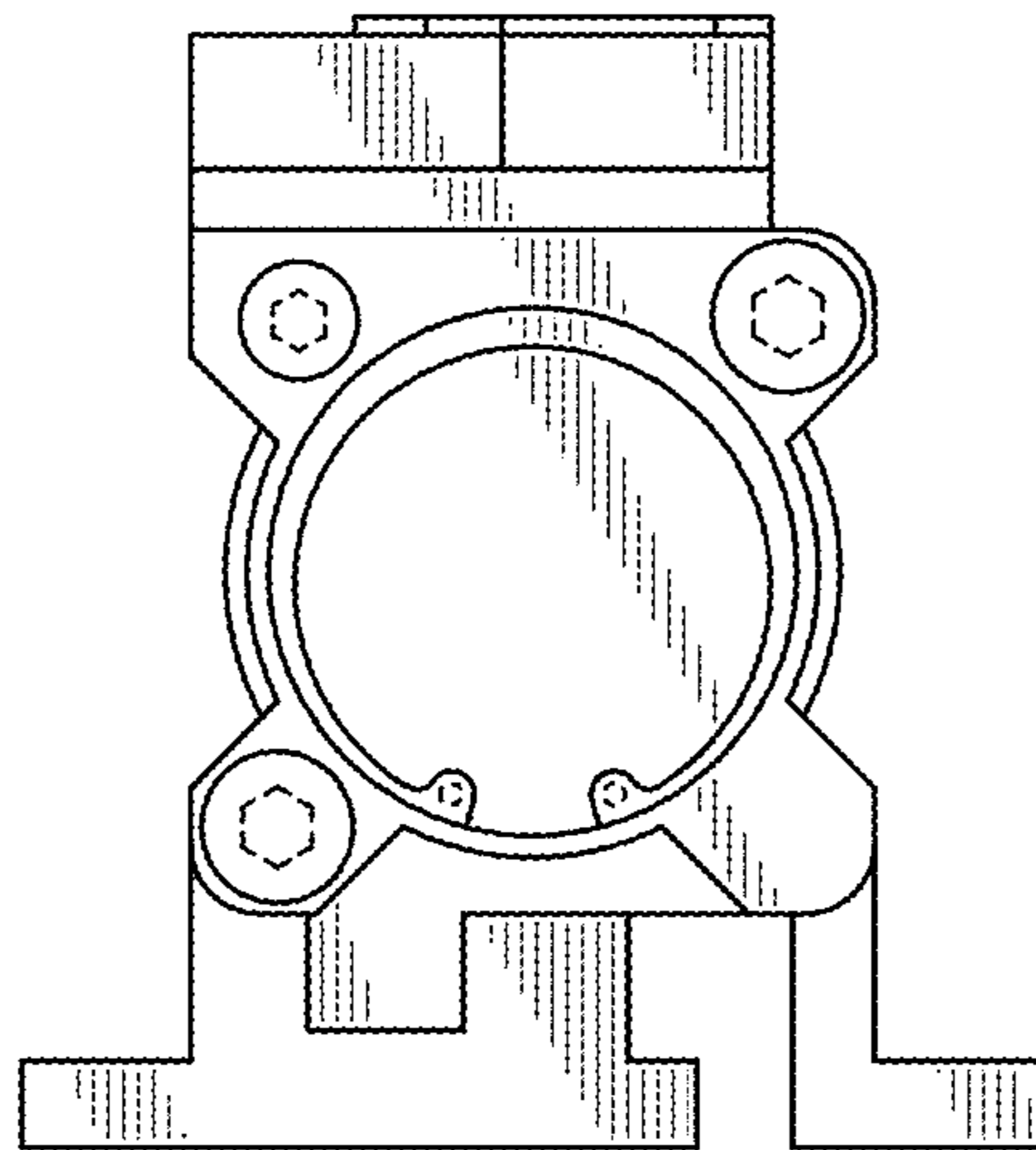


FIG. 10

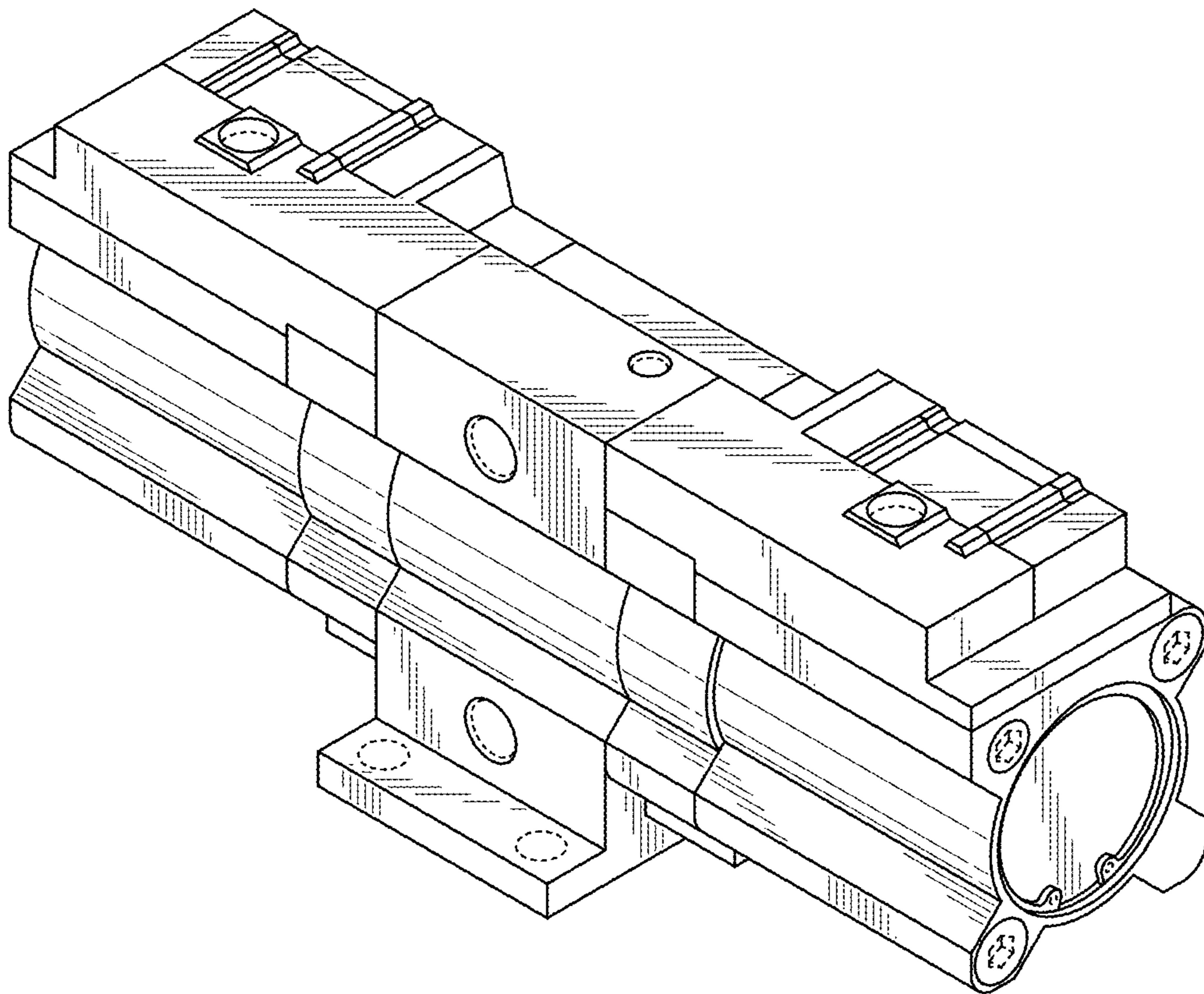


FIG. 11

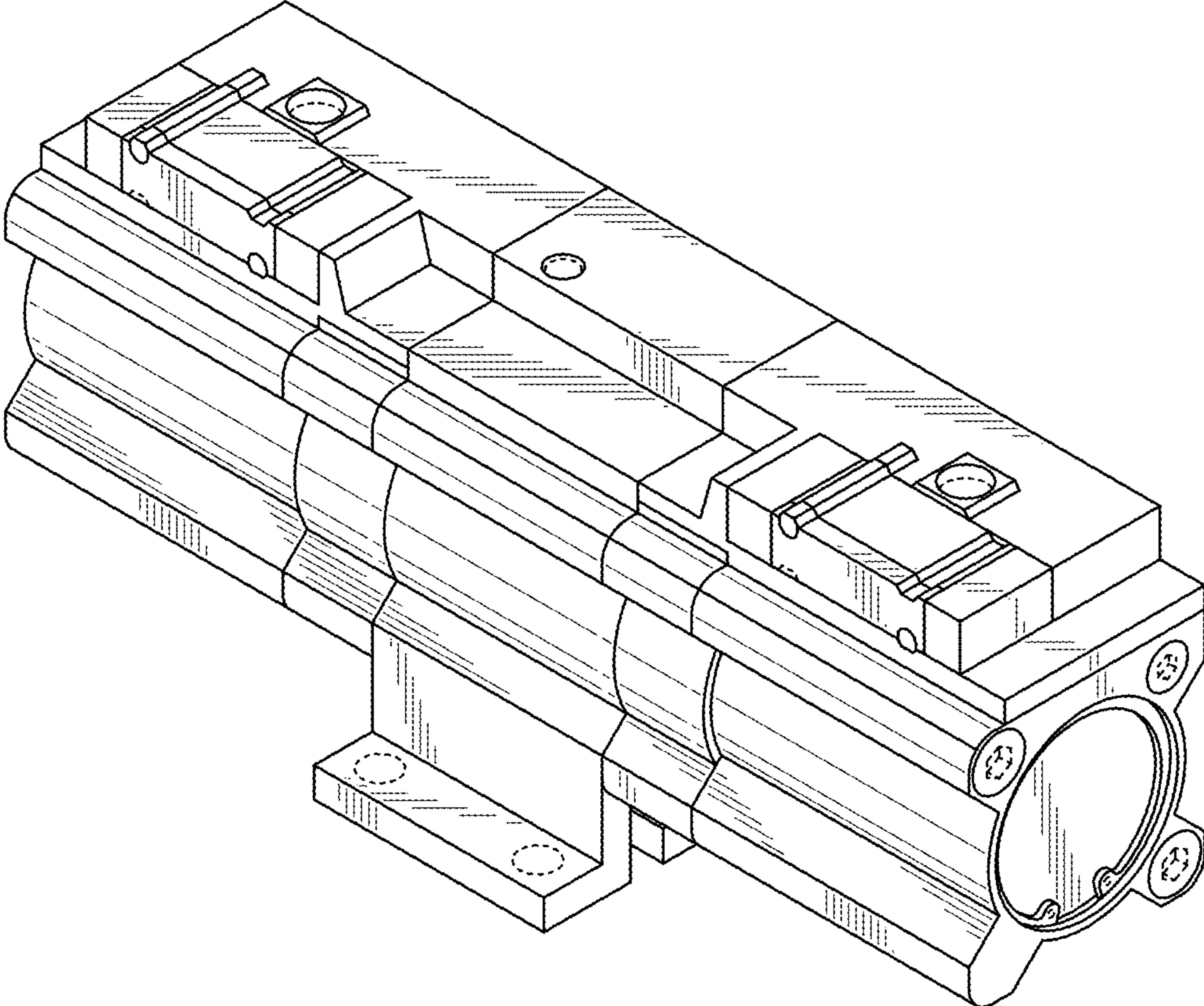


FIG. 12

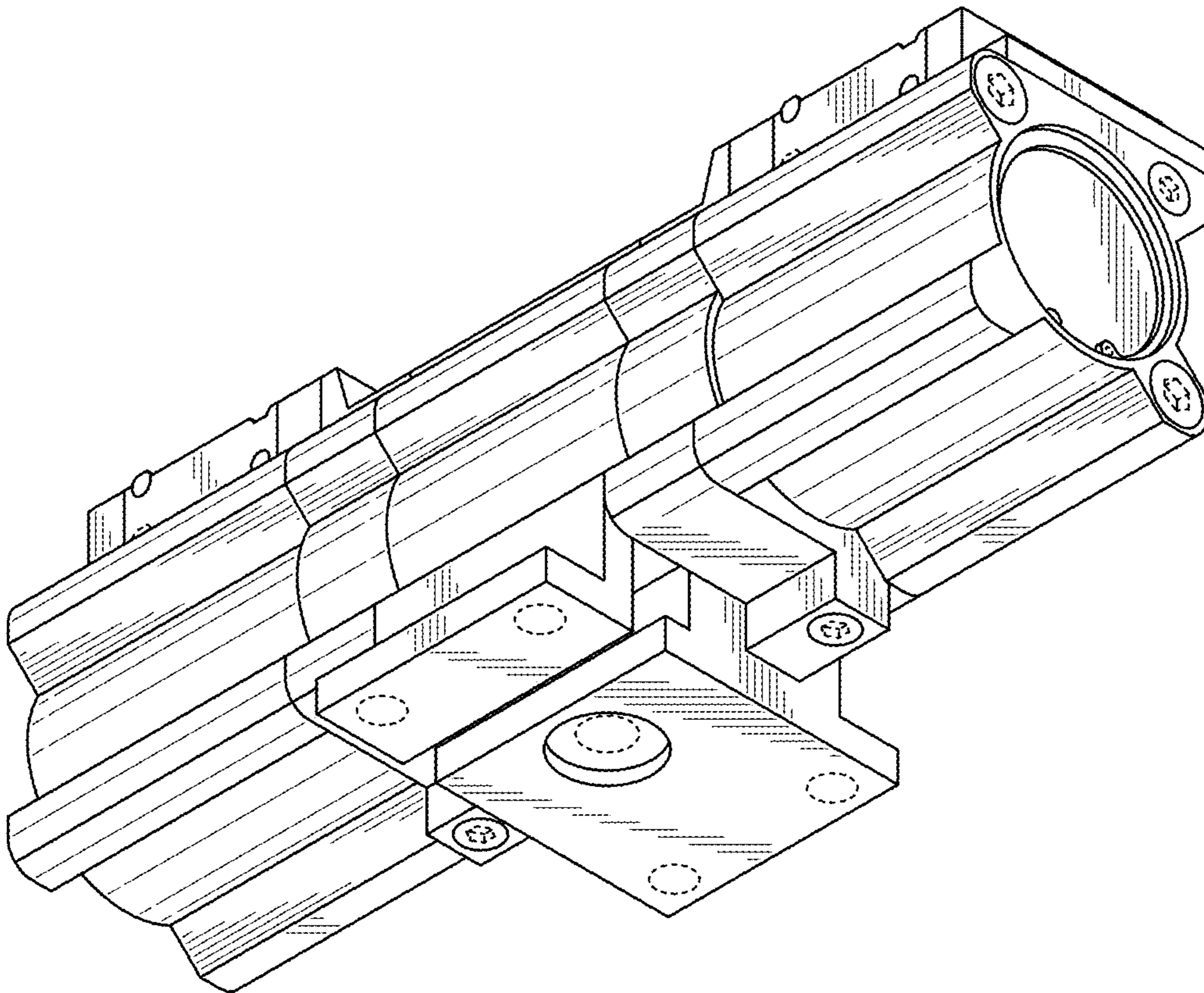


FIG. 13

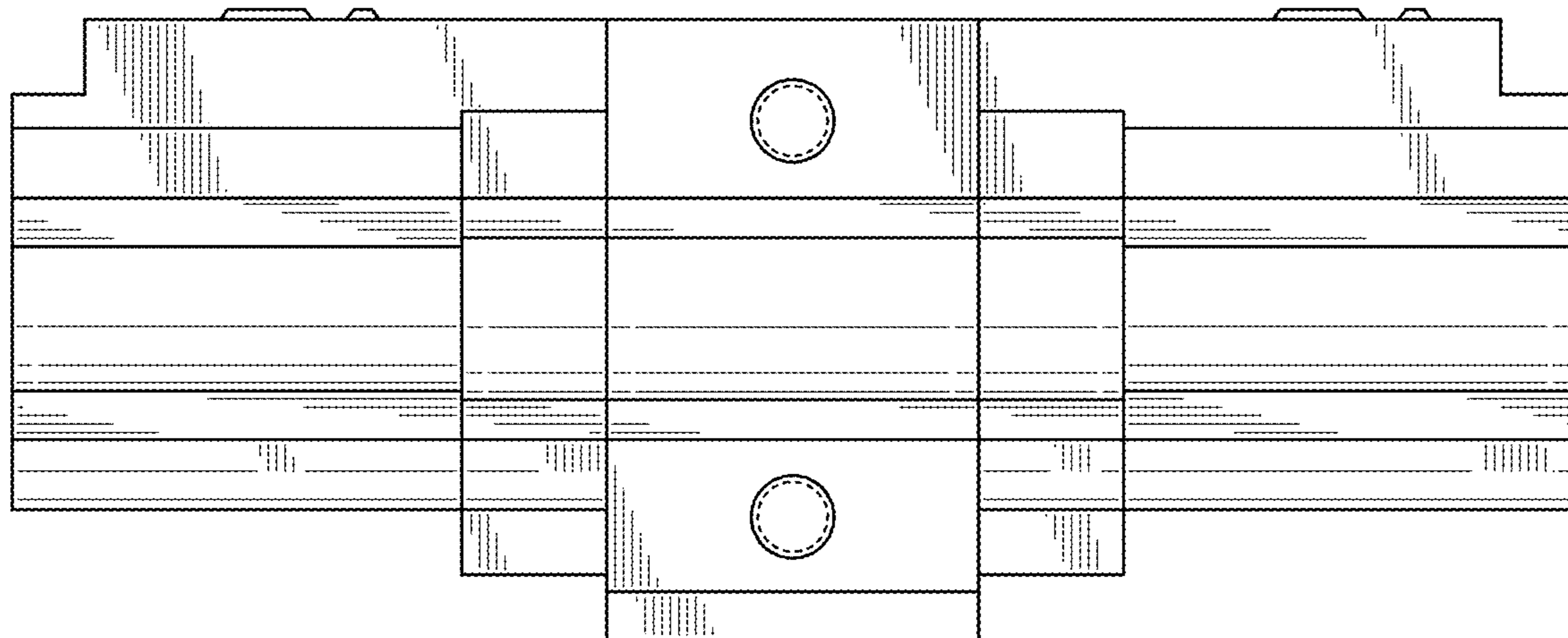


FIG. 14

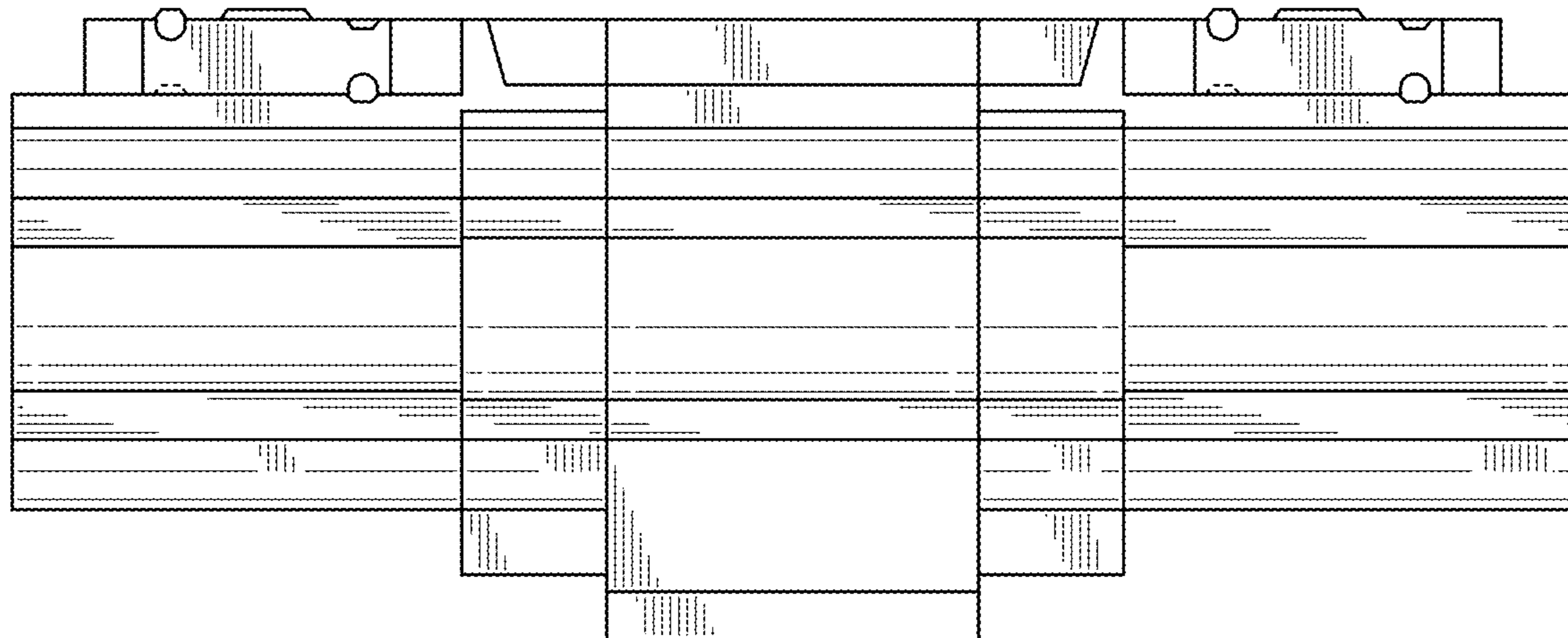


FIG. 15

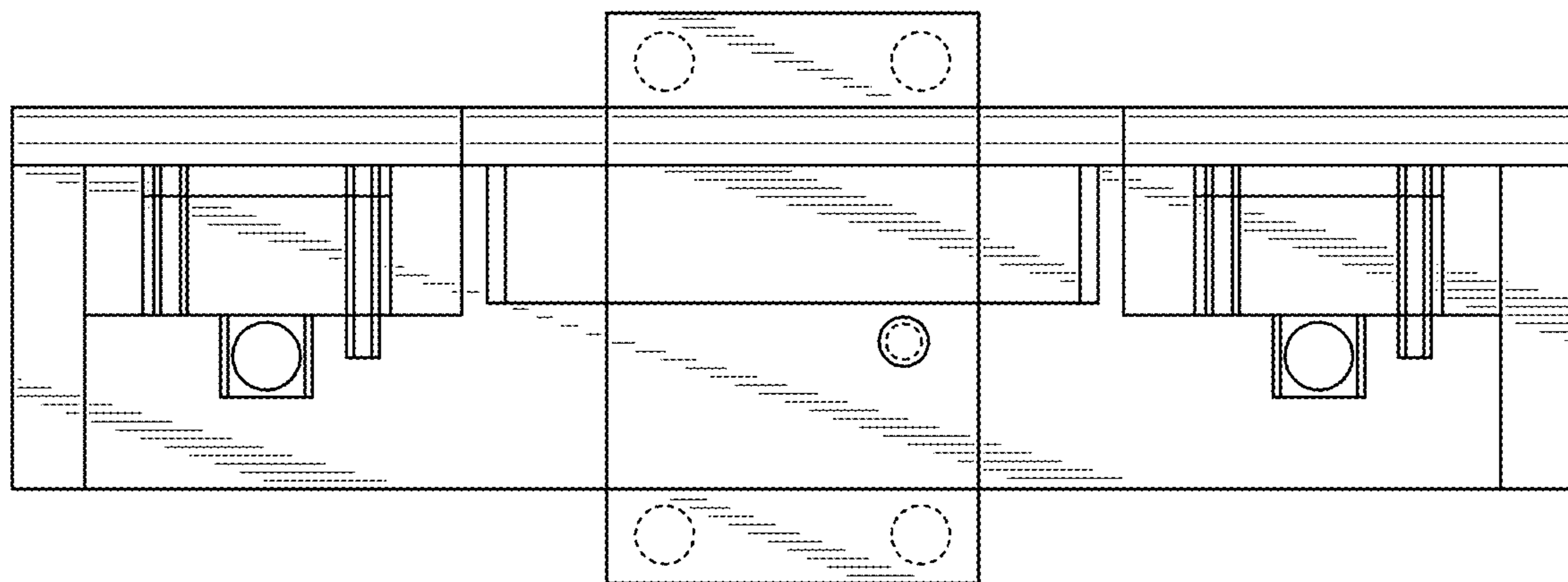


FIG. 16

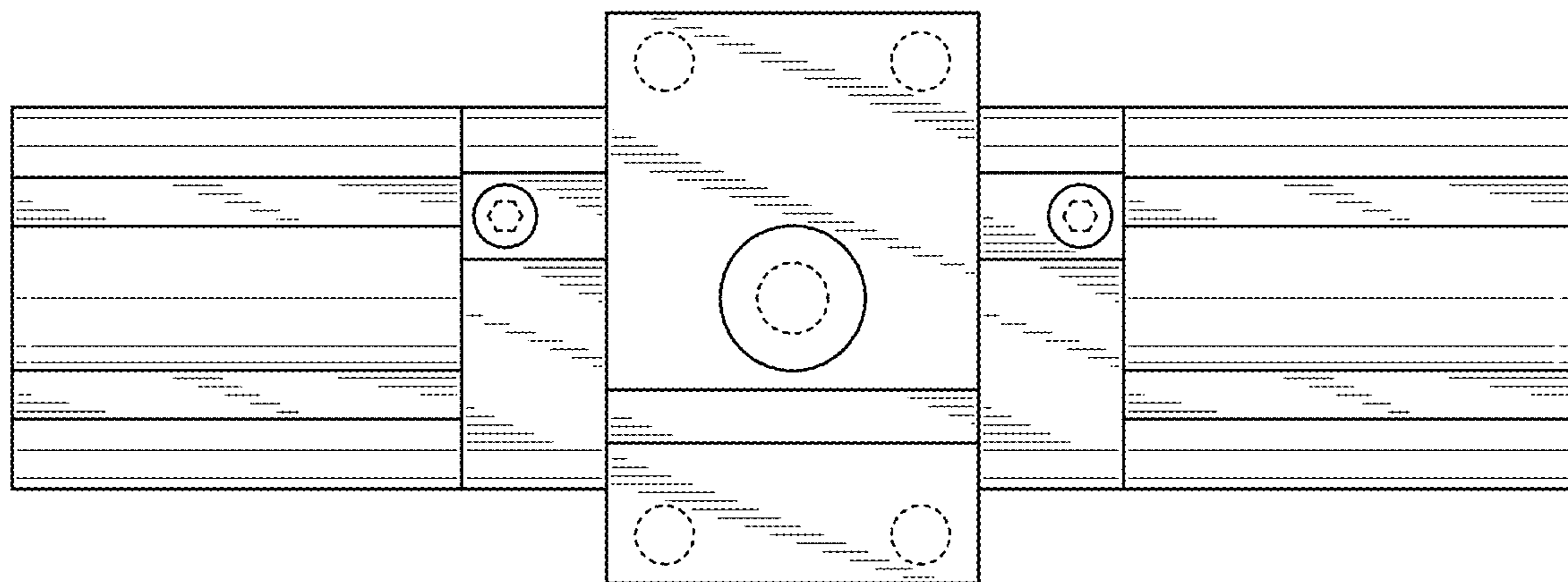


FIG. 17

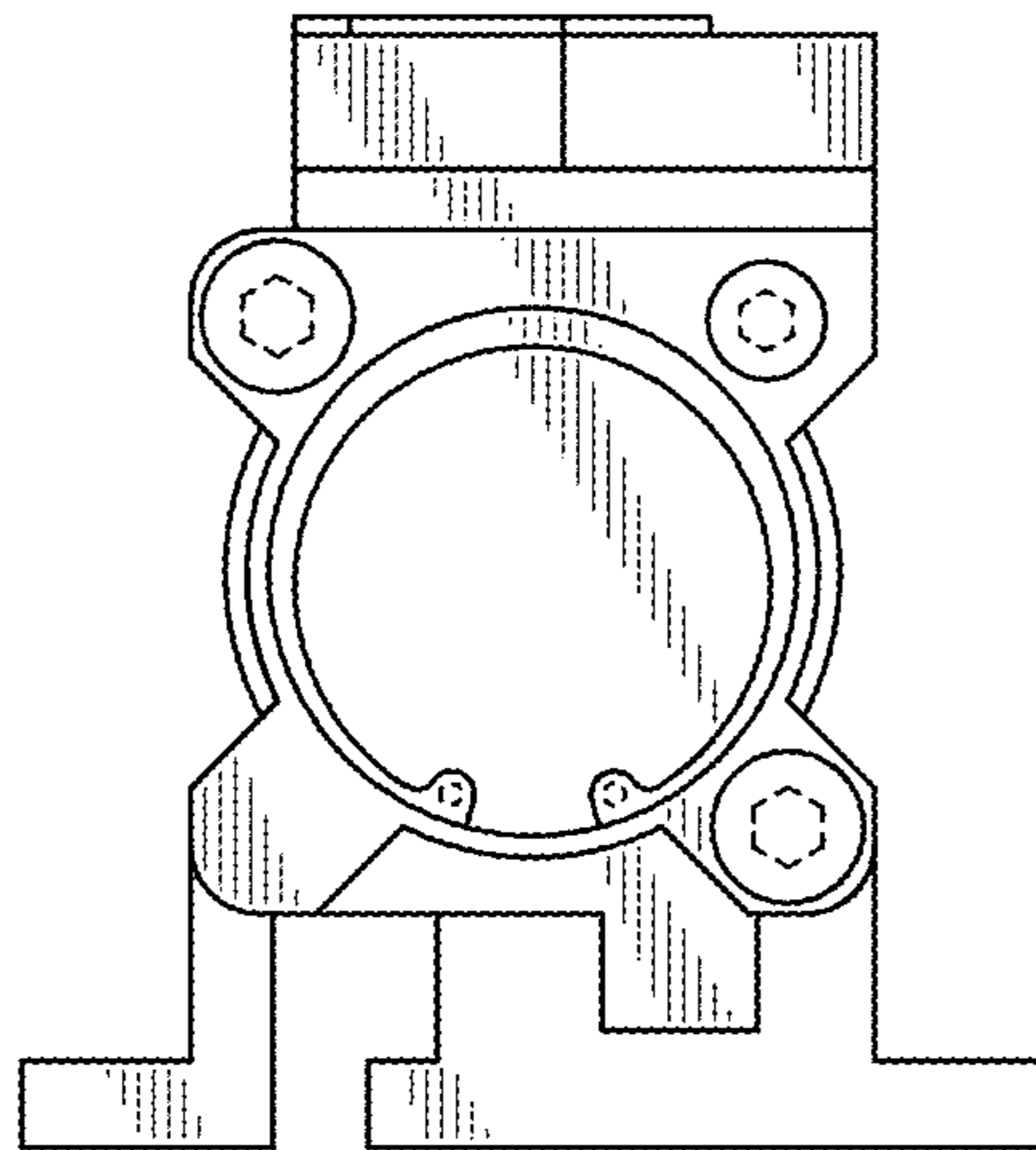


FIG. 18

