



US00D898772S

(12) **United States Design Patent** (10) **Patent No.:** **US D898,772 S**
McGinley et al. (45) **Date of Patent:** **** Oct. 13, 2020**

(54) **ENGINE COMPONENT**

2013/0461; F01M 13/04; F02F 7/0068;
F02F 2007/0075; F02M 35/0201

(71) Applicant: **Harley-Davidson Motor Company Group, LLC**, Milwaukee, WI (US)

See application file for complete search history.

(72) Inventors: **Ben McGinley**, Glendale, WI (US); **Frank Savage**, Fox Point, WI (US); **Brad Richards**, Grafton, WI (US); **Chetan Shedjale**, Wauwatosa, WI (US); **Nathan Abplanalp**, Milwaukee, WI (US); **Stephen R. Collins**, Fond du Lac, WI (US); **Richard W. Elchert**, Mequon, WI (US); **Dane Schwegman**, Wauwatosa, WI (US); **Michael DeCaluwe**, Jackson, WI (US); **Brian Saiia**, Milwaukee, WI (US); **Scott Matthews**, Franklin, WI (US)

(56) **References Cited**

U.S. PATENT DOCUMENTS

D331,410 S 12/1992 Binversie et al.
D437,262 S * 2/2001 Robb D12/110
D438,825 S * 3/2001 Tsuboi D12/111

(Continued)

FOREIGN PATENT DOCUMENTS

JP 1584158 8/2017

OTHER PUBLICATIONS

Office Action and its English Translation for Japanese Application No. 2019-027346, dated Jul. 13, 2020, 3 pages.

Primary Examiner — Ania Aman

(74) *Attorney, Agent, or Firm* — Foley & Lardner LLP

(73) Assignee: **Harley-Davidson Motor Company Group, LLC**, Milwaukee, WI (US)

(**) Term: **15 Years**

(21) Appl. No.: **29/728,411**

(22) Filed: **Mar. 18, 2020**

Related U.S. Application Data

(62) Division of application No. 29/658,347, filed on Jul. 30, 2018.

(51) **LOC (12) Cl.** **15-01**

(52) **U.S. Cl.**
USPC **D15/5**

(58) **Field of Classification Search**
USPC D15/1-6, 14; D12/110, 114, 126
CPC F02B 75/007; F02B 61/02; F02B 75/005;
F02B 2075/022; F02B 75/16; F02B 2075/1808; F02B 75/34; F02B 77/02;
F02B 2700/03; F02B 2710/03; F02B 2730/011; F02B 63/02; F02B 2075/027;
F02B 2075/1816; F02B 2075/1824; F02B 2063/045; F01M 13/022; F01M

(57) **CLAIM**

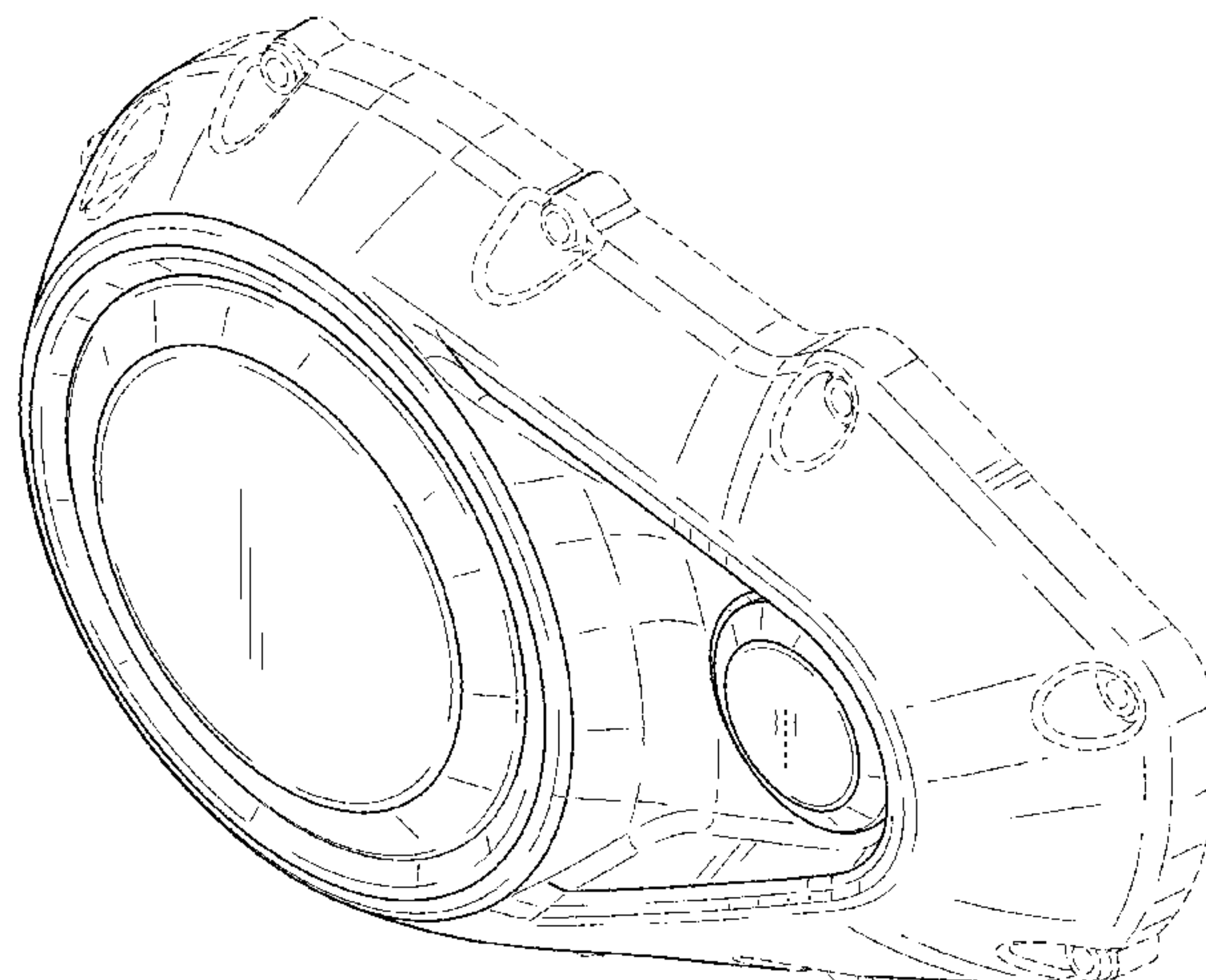
We claim the ornamental design for an engine component, as shown and described.

DESCRIPTION

FIG. 1 is a top, front, right perspective view of the claimed design;
FIG. 2 is a front elevation view thereof;
FIG. 3 is a left side elevation view thereof;
FIG. 4 is a right side elevation view thereof;
FIG. 5 is a top plan view thereof;
FIG. 6 is a bottom plan view thereof; and,
FIG. 7 is a rear elevation view thereof.

The claimed design is shown in solid lines in the drawings. The broken lines formed by equal length dashes shown in

(Continued)



the drawings are for the purpose of illustrating portions of the engine component that form no part of the claimed design.

1 Claim, 5 Drawing Sheets

(56)

References Cited

U.S. PATENT DOCUMENTS

6,382,169 B1 5/2002 Gausman
 D462,301 S * 9/2002 Capriglione D12/110
 D498,906 S 11/2004 Gebhardt
 7,096,846 B1 * 8/2006 Dondlinger F01M 11/02
 123/195 R
 D541,300 S 4/2007 Geisheker et al.
 D541,303 S 4/2007 Drew et al.
 D553,645 S 10/2007 Drew et al.
 D567,715 S * 4/2008 Brew D12/110
 D582,317 S * 12/2008 Takigawa D12/110
 D584,318 S 1/2009 Olsen et al.
 D594,479 S 6/2009 Greuel et al.
 D596,199 S 7/2009 Drysdale

D626,894 S * 11/2010 Holcomb D12/126
 D776,018 S * 1/2017 Kiska D12/126
 D784,413 S 4/2017 Thorn et al.
 D787,558 S 5/2017 Thorn et al.
 D799,552 S * 10/2017 McGinley D15/5
 D800,783 S 10/2017 Savage et al.
 D800,784 S * 10/2017 Collins D15/5
 10,384,738 B1 * 8/2019 Toler B62J 23/00
 2002/0011222 A1 1/2002 Bilek et al.
 2003/0070649 A1 4/2003 Okano et al.
 2008/0083398 A1 * 4/2008 Reichardt F01M 13/0416
 123/572
 2009/0223731 A1 * 9/2009 Arnold B62K 25/283
 180/231
 2012/0073537 A1 * 3/2012 Oltmans F01M 1/06
 123/195 R
 2015/0083513 A1 * 3/2015 Ito F02B 61/02
 180/229
 2015/0129342 A1 * 5/2015 O'Rourke F16M 13/02
 180/219
 2015/0345451 A1 * 12/2015 Garrison F02B 75/22
 123/294
 2017/0114686 A1 * 4/2017 Tsukamoto F01M 1/02
 2017/0114860 A1 * 4/2017 Yamauchi F01M 5/002
 2019/0136721 A1 * 5/2019 Wenger F01L 1/3442

* cited by examiner

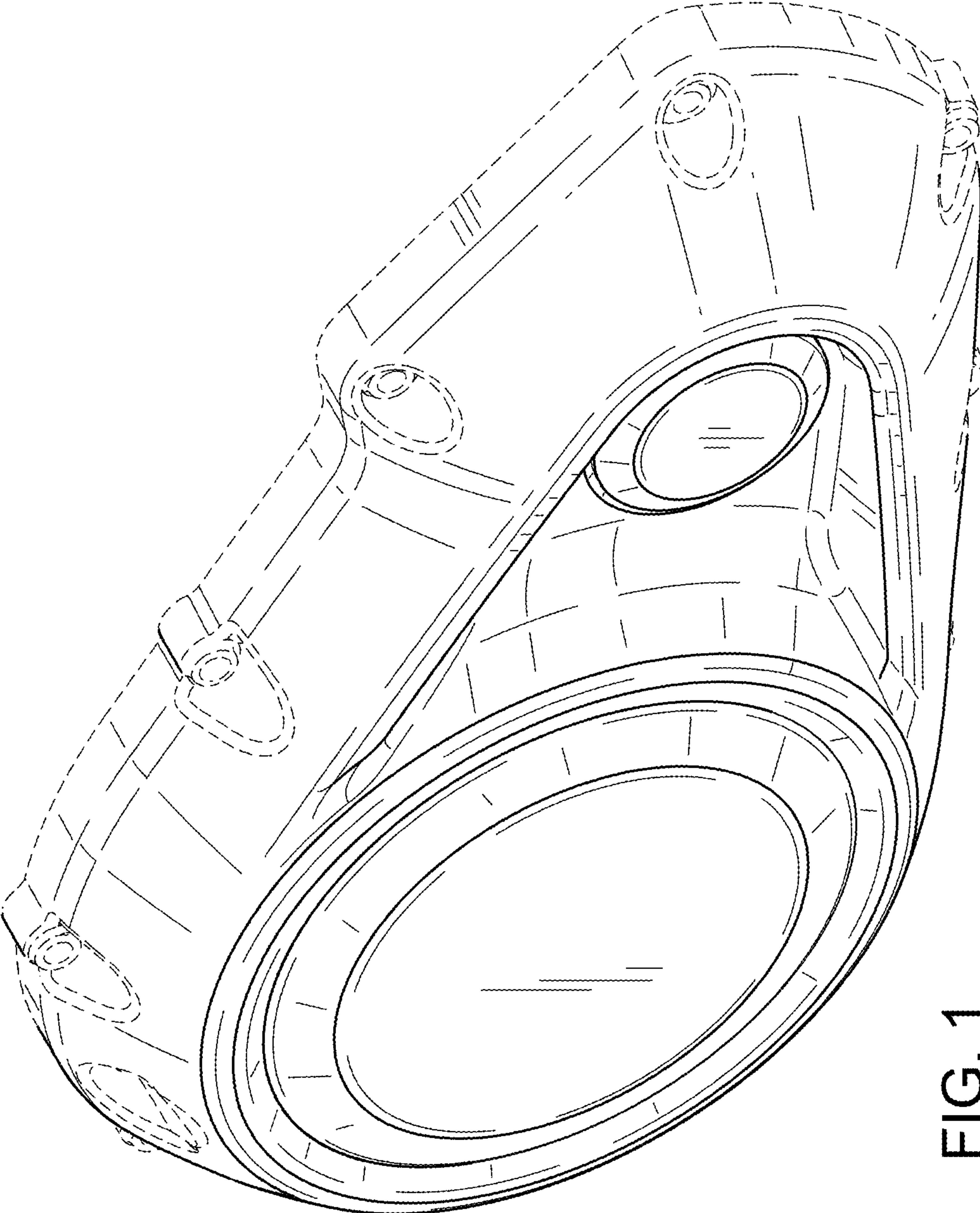


FIG. 1

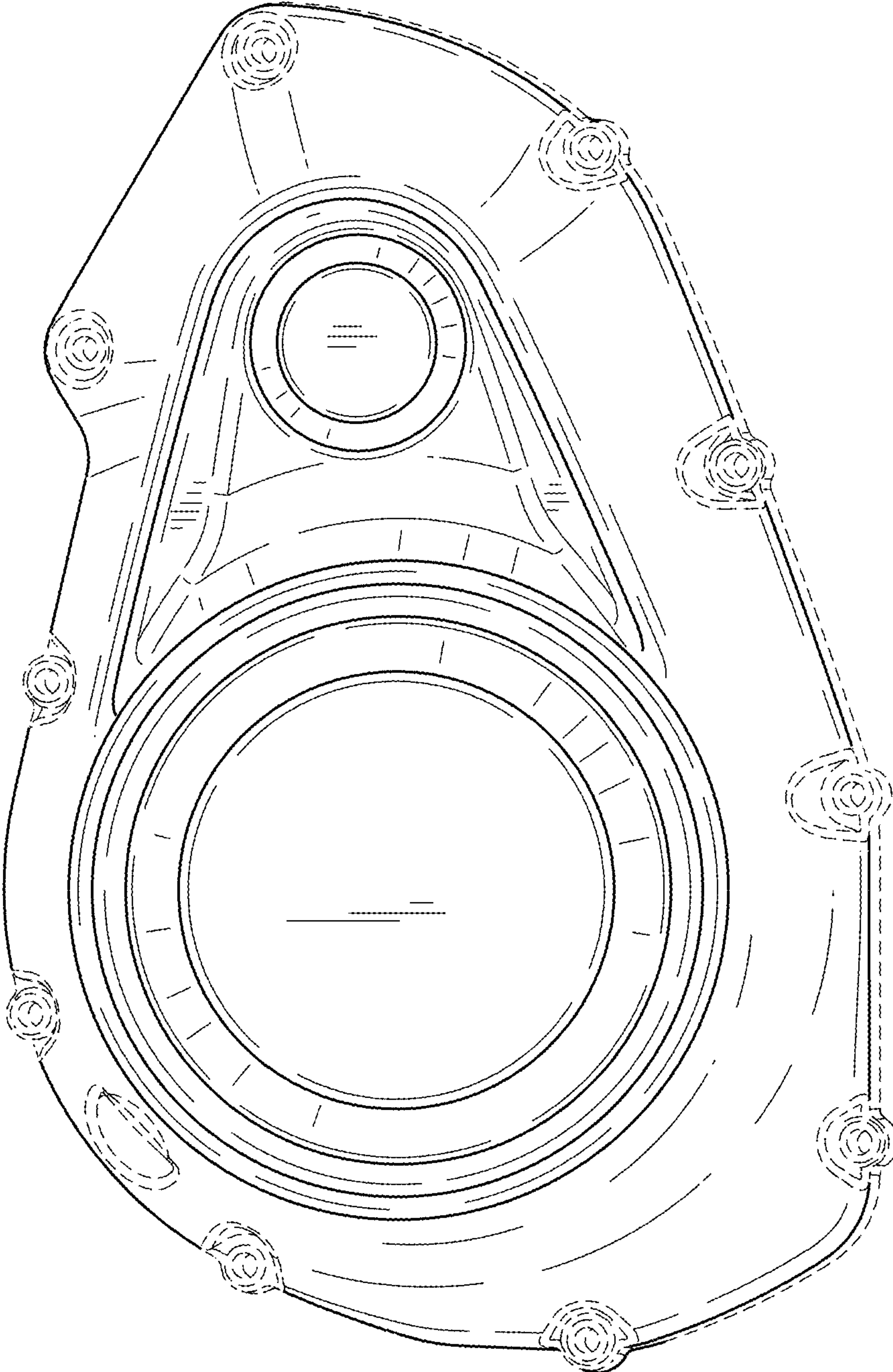


FIG. 2

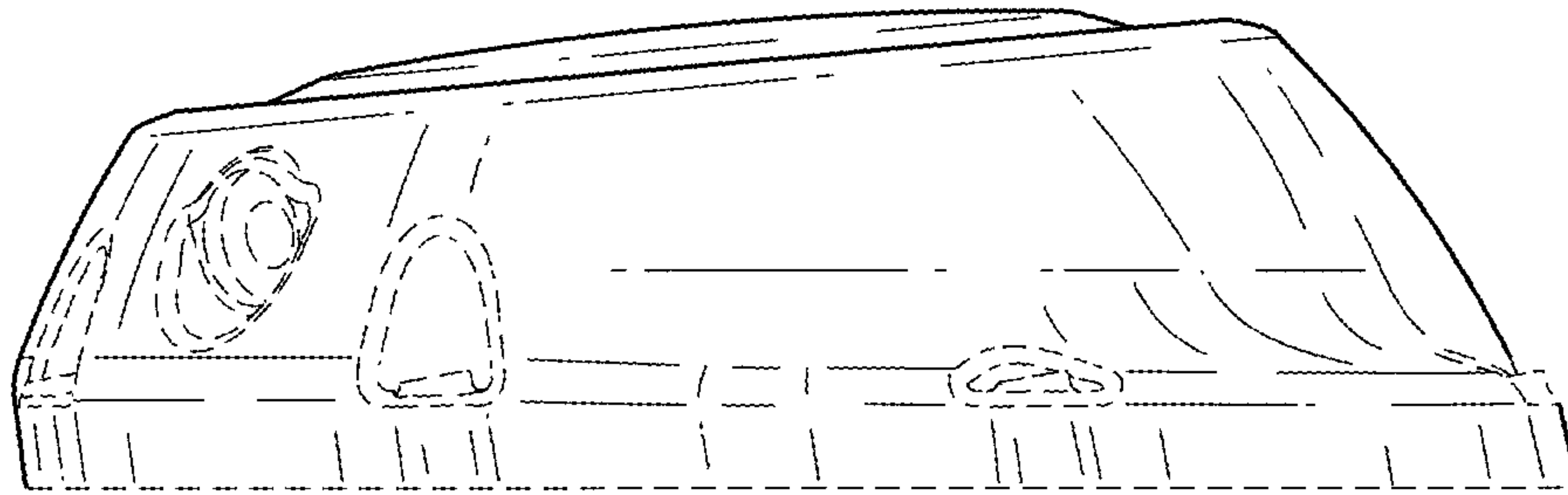


FIG. 4

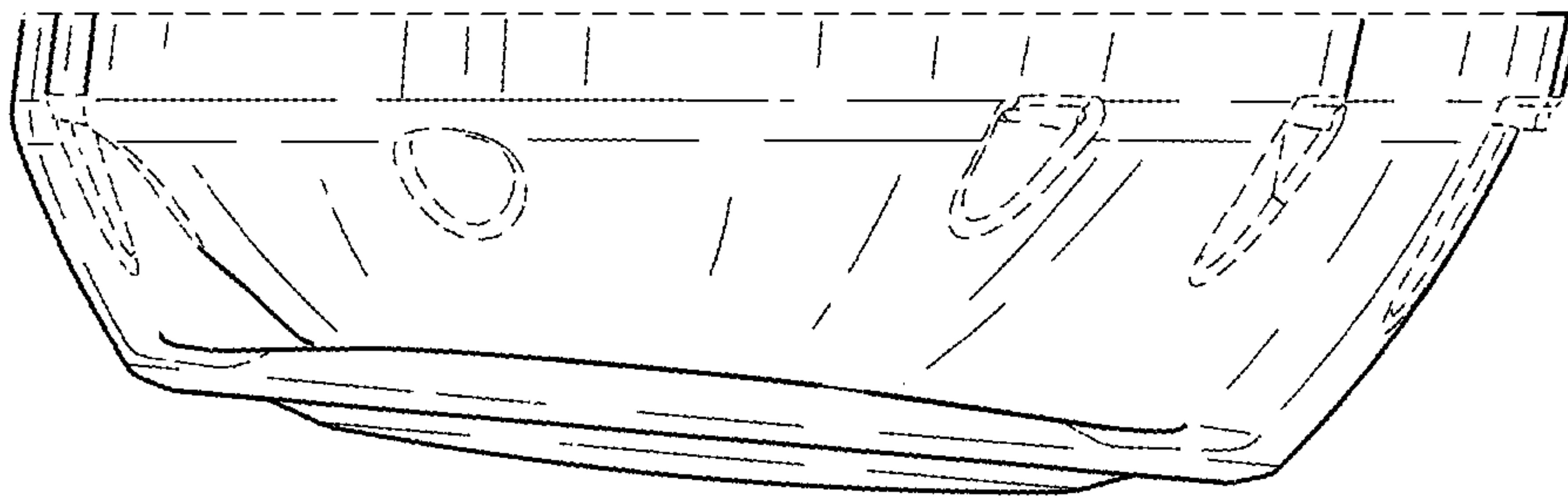


FIG. 3

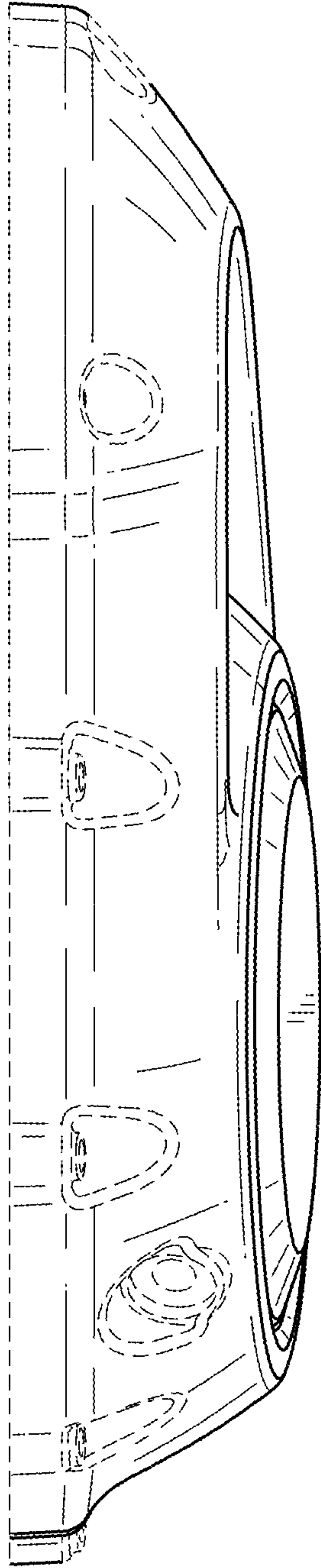


FIG. 5

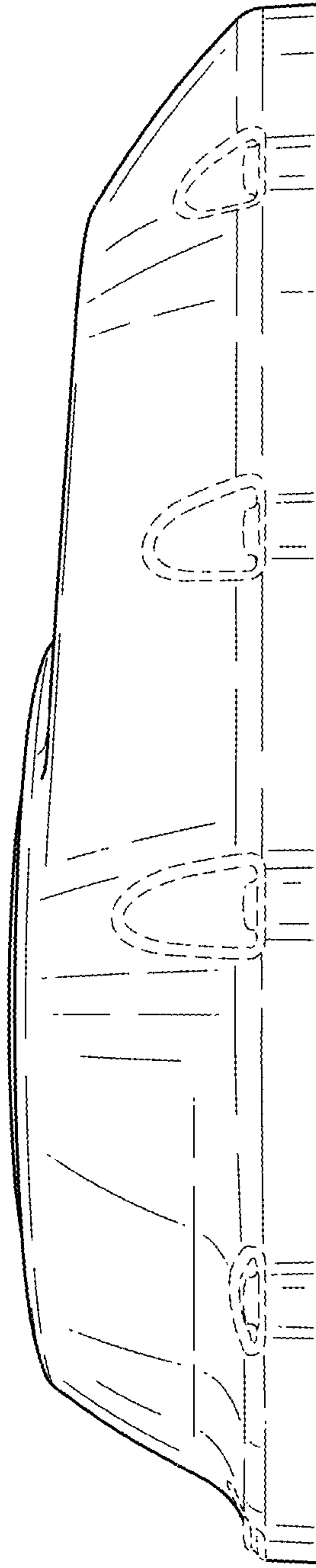


FIG. 6

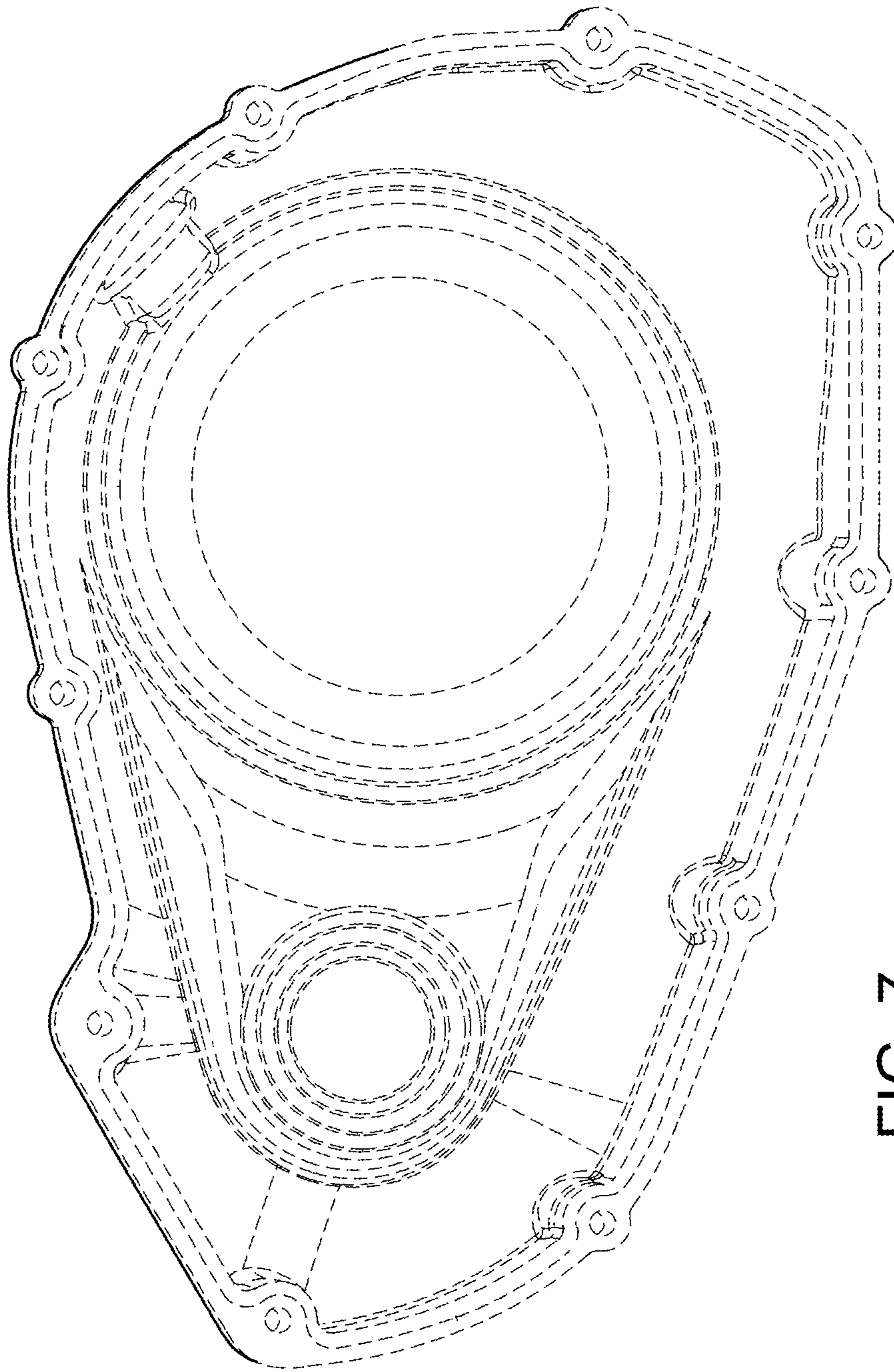


FIG. 7