



US00D898771S

(12) **United States Design Patent**
You

(10) **Patent No.:** **US D898,771 S**
(45) **Date of Patent:** **** Oct. 13, 2020**

(54) **KARAOKE DEVICE**

DESCRIPTION

- (71) Applicant: **Shenzhen Teana Technology Co., Ltd.**, Shenzhen (CN)
- (72) Inventor: **Guangguo You**, Guangdong (CN)
- (73) Assignee: **SHENZHEN TEANA TECHNOLOGY CO., LTD.**, Shenzhen (CN)
- (**) Term: **15 Years**
- (21) Appl. No.: **29/623,499**
- (22) Filed: **Oct. 25, 2017**
- (51) **LOC (12) Cl.** **14-03**
- (52) **U.S. Cl.**
USPC **D14/497; D14/225**
- (58) **Field of Classification Search**
USPC ... D14/497, 225–229, 172, 203.1, 217, 496;
D17/99; D21/483, 513
(Continued)

FIG. 1 is a perspective view of a karaoke device showing my new design;
 FIG. 2 is another perspective view thereof;
 FIG. 3 is a front elevational view thereof;
 FIG. 4 is a back elevational view thereof;
 FIG. 5 is a left side elevational view thereof;
 FIG. 6 is a right side elevational view thereof;
 FIG. 7 is a top plan view thereof;
 FIG. 8 is a bottom plan view thereof;
 FIG. 9 is a perspective view of a karaoke device according to another of my new designs;
 FIG. 10 is another perspective view of the embodiment of FIG. 9;
 FIG. 11 is a front elevational view of the embodiment of FIG. 9;
 FIG. 12 is a back elevational view of the embodiment of FIG. 9;
 FIG. 13 is a left side elevational view of the embodiment of FIG. 9;
 FIG. 14 is a right side elevational view of the embodiment of FIG. 9;
 FIG. 15 is a top plan view of the embodiment of FIG. 9;
 FIG. 16 is a bottom plan view of the embodiment of FIG. 9;
 FIG. 17 is a perspective view of a karaoke device according to another of my new designs;
 FIG. 18 is another perspective view of the embodiment of FIG. 17;
 FIG. 19 is a front elevational view of the embodiment of FIG. 17;
 FIG. 20 is a back elevational view of the embodiment of FIG. 17;
 FIG. 21 is a left side elevational view of the embodiment of FIG. 17;
 FIG. 22 is a right side elevational view of the embodiment of FIG. 17;
 FIG. 23 is a top plan view of the embodiment of FIG. 17;
 FIG. 24 is a bottom plan view of the embodiment of FIG. 17;
 FIG. 25 is a perspective view of a karaoke device according to another of my new designs;
 FIG. 26 is another perspective view of the embodiment of FIG. 25;

(56) **References Cited**

U.S. PATENT DOCUMENTS

- D247,706 S * 4/1978 Armstrong D14/228
 - D247,707 S * 4/1978 Armstrong D14/228
- (Continued)

OTHER PUBLICATIONS

“Top 15 Best Karaoke Microphones in 2020,” online, post date May 25, 2020, URL: <https://www.techsounded.com/best-karaoke-microphones/>, retrieved Jun. 5, 2020.*
(Continued)

Primary Examiner — Jeffrey D Asch
Assistant Examiner — Rebekah A Caruso
 (74) *Attorney, Agent, or Firm* — Sheridan Ross P.C.

(57) **CLAIM**

The ornamental design for a karaoke device, as shown and described.

(Continued)

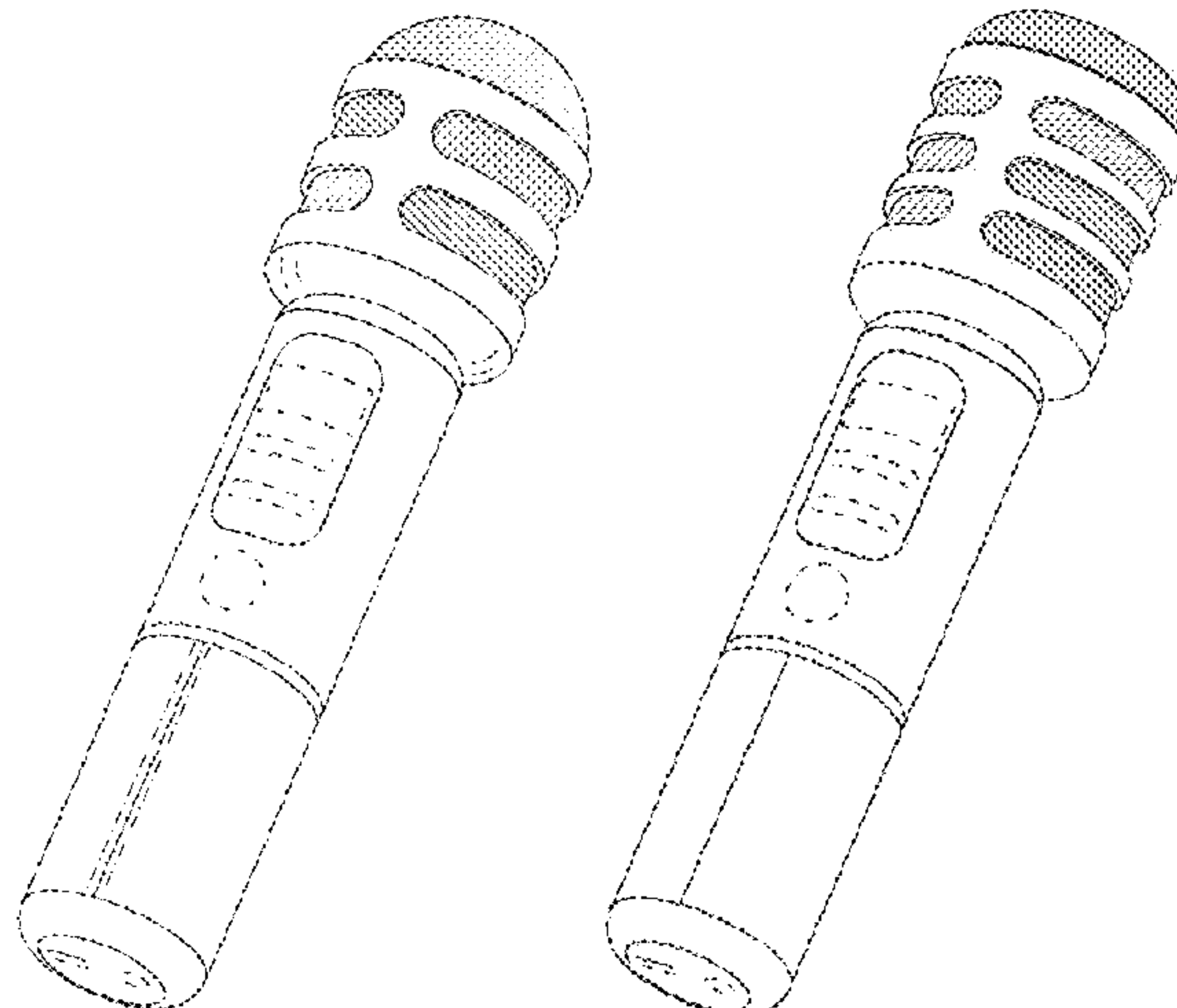


FIG. 27 is a front elevational view of the embodiment of FIG. 25;
 FIG. 28 is a back elevational view of the embodiment of FIG. 25;
 FIG. 29 is a left side elevational view of the embodiment of FIG. 25;
 FIG. 30 is a right side elevational view of the embodiment of FIG. 25;
 FIG. 31 is a top plan view of the embodiment of FIG. 25; and,
 FIG. 32 is a bottom plan view of the embodiment of FIG. 25. The broken lines having alternating long and short dashes show stitching. The broken lines having dashes of approximately equal length show portions of the karaoke device which form no part of the claimed design.

1 Claim, 28 Drawing Sheets

(58) **Field of Classification Search**

CPC ... H04R 1/02; H04R 1/04; H04R 1/08; H04R 5/00; H04R 5/027; H04R 9/08
 See application file for complete search history.

(56) **References Cited**

U.S. PATENT DOCUMENTS

D295,224	S	*	4/1988	Miyamoto	D14/228
D296,100	S	*	6/1988	Kubota	D14/228
D302,819	S	*	8/1989	Kubota	D14/228
D310,368	S	*	9/1990	Derhaag	D14/225
D435,037	S	*	12/2000	Liu	D14/228
D444,782	S	*	7/2001	Chung	D14/228
D446,205	S	*	8/2001	Ming-Cheng	D14/228
D462,947	S	*	9/2002	Kung	D14/228

D475,699	S	*	6/2003	Thornton	D14/228
D479,836	S	*	9/2003	Thornton	D14/228
6,671,382	B2	*	12/2003	Chen	H01R 35/02 381/189
D507,262	S	*	7/2005	Liu	D14/228
D557,690	S	*	12/2007	Lee	D14/228
D585,434	S	*	1/2009	Ganley	D14/225
D589,033	S	*	3/2009	Thusbass	D14/228
D594,856	S	*	6/2009	Marshall	D14/228
D598,011	S	*	8/2009	Thusbass	D14/225
D619,619	S	*	7/2010	Lee	D14/228
D620,954	S	*	8/2010	Lee	D14/228
D682,812	S	*	5/2013	Park	D14/225
D713,390	S	*	9/2014	Ibuki	D14/228
D713,391	S	*	9/2014	Ibuki	D14/228
D751,533	S	*	3/2016	Godfrey	D14/228
D820,356	S	*	6/2018	Mantis	D19/189
D834,563	S	*	11/2018	Ohashi	D14/225
D836,615	S	*	12/2018	Su	D14/226
D843,355	S	*	3/2019	Sunwoo	D14/225
D863,775	S	*	10/2019	Courtney	D4/101
D863,777	S	*	10/2019	Courtney	D4/101
D881,169	S	*	4/2020	Renwick	D14/228
2018/0376250	A1	*	12/2018	Chiang	H04R 9/08

OTHER PUBLICATIONS

3-in-1 Bluetooth Karaoke Microphone by Hype, YouTube online, post date Oct. 21, 2019, URL: <https://www.techsounded.com/best-karaoke-microphones/>, retrieved Jun. 5, 2020.*
 F6 Mobile PC Live Broadcast Singing Microphone bluetooth Wireless Karaoke Mic with Sound Card, online, no post date, URL: https://www.banggood.com/F6-Mobile-PC-Live-Broadcast-Singing-Microphone-Bluetooth-Wireless-Karaoke-Mic-with-Sound-Card-p-1446265.html?ID=232&cur_warehouse=CN, retrieved Jun. 5, 2020.*
 Mini Kareoka—Karaoke Microphone, Stereo Mic With Earphone for Voice Recording, online, no post date, URL: <https://div-kareoka.myshopify.com/products/mini-kareoka-karaoke-microphone-stereo-mic-with-earphone-for-voice-recording>, retrieved Jun. 5, 2020.*

* cited by examiner

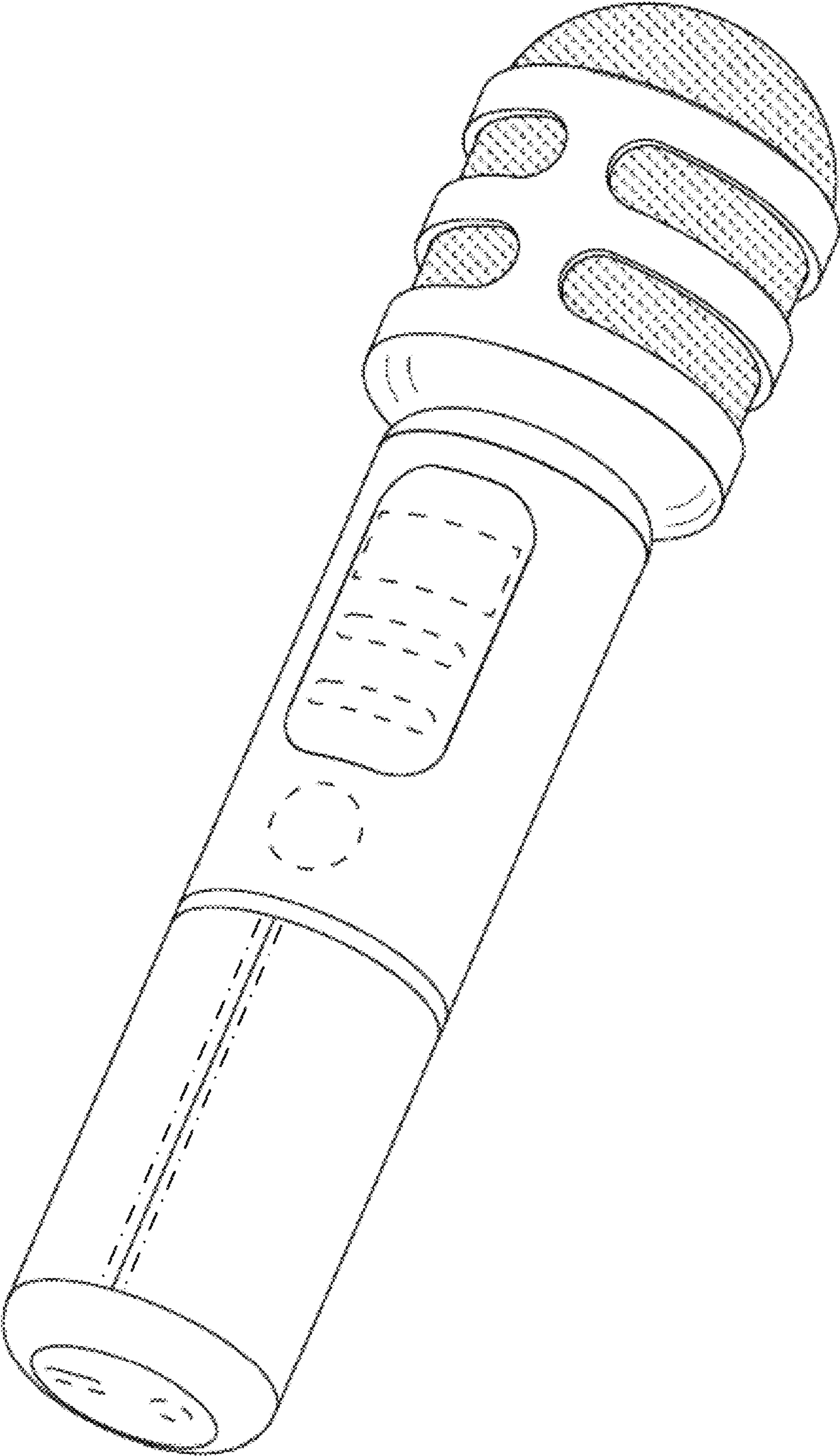


Fig. 1

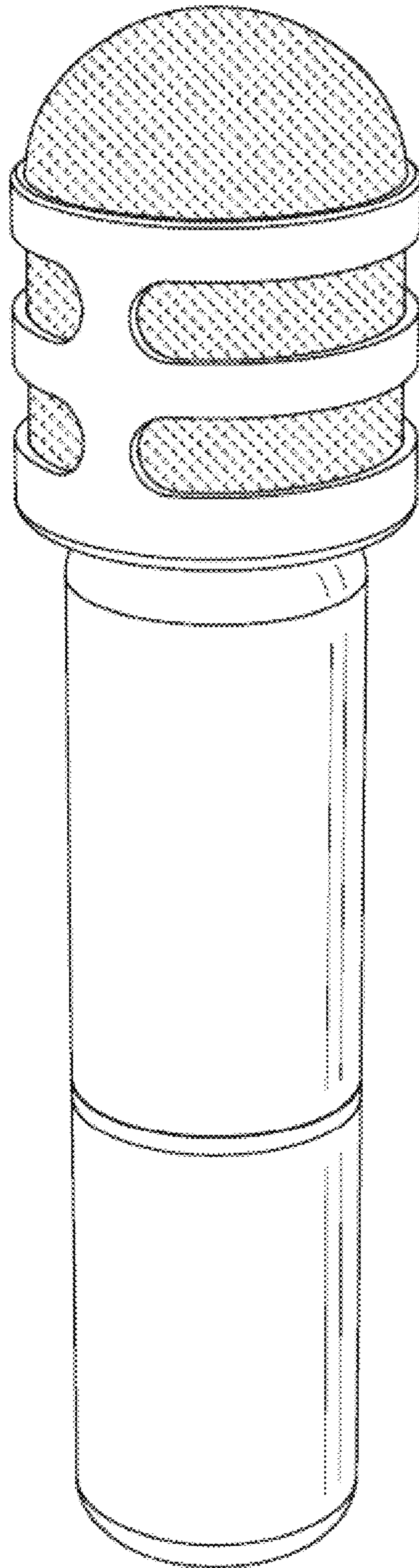


Fig. 2

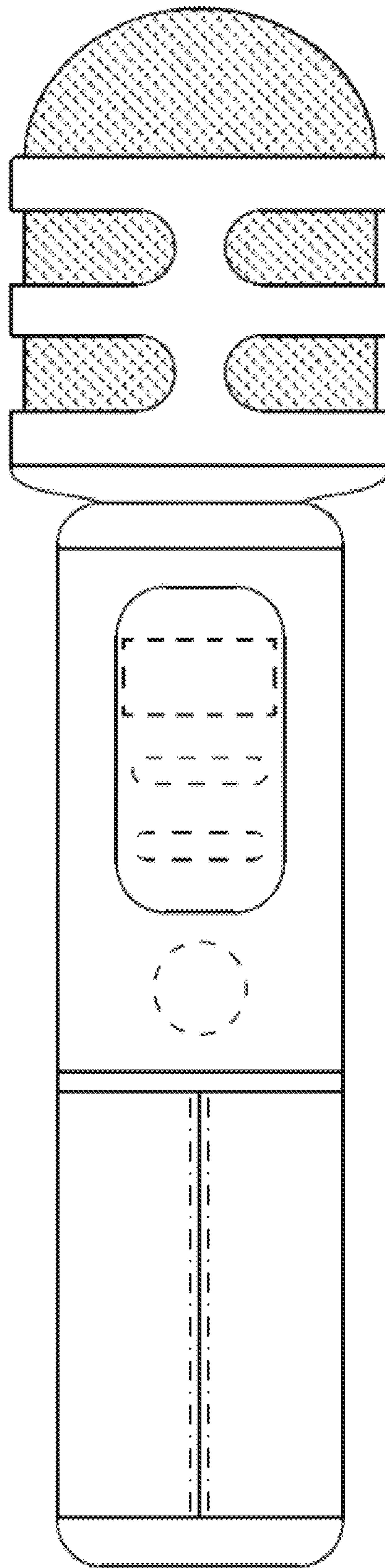


Fig. 3

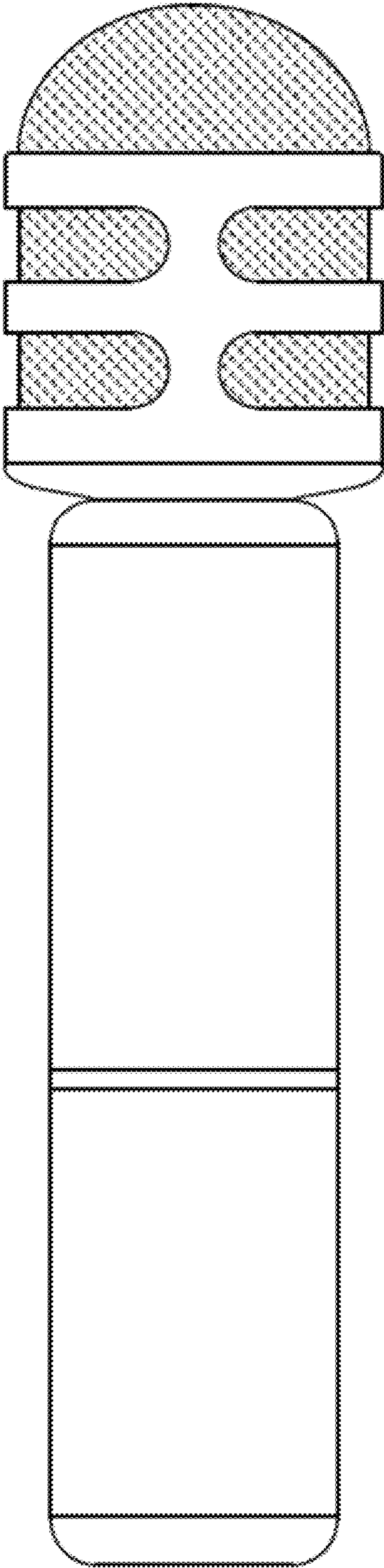


Fig. 4

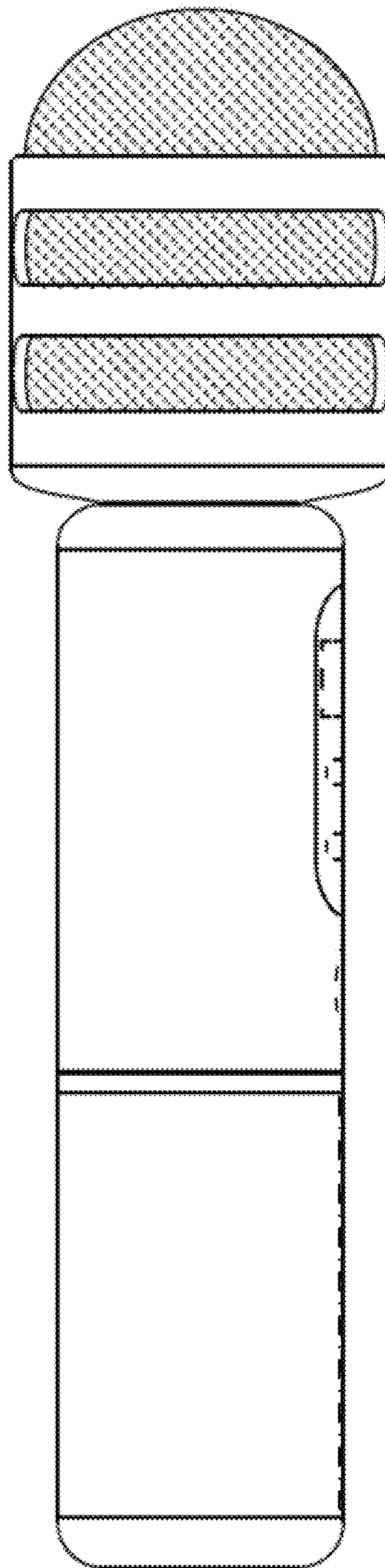


Fig. 5

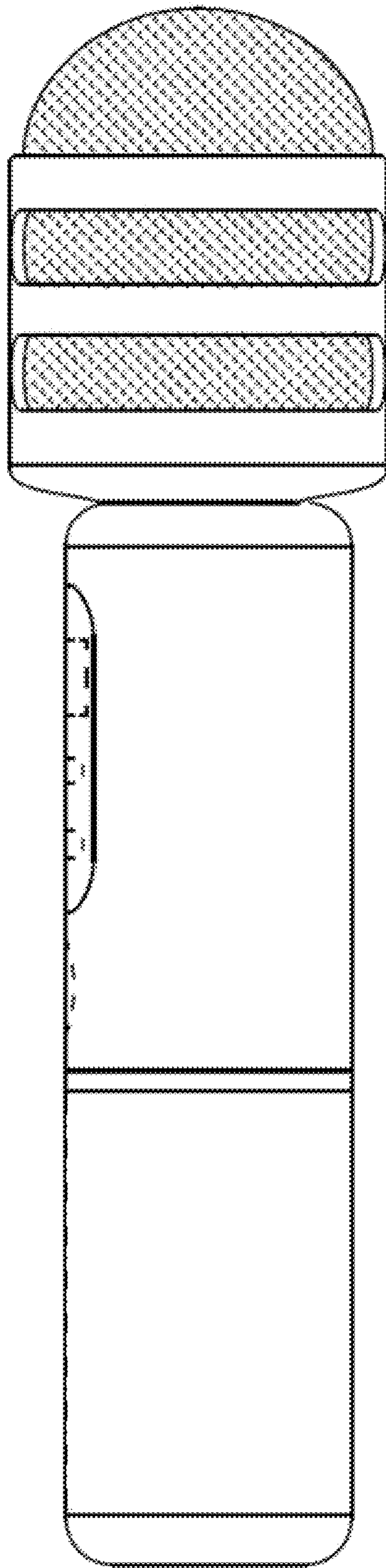


Fig. 6

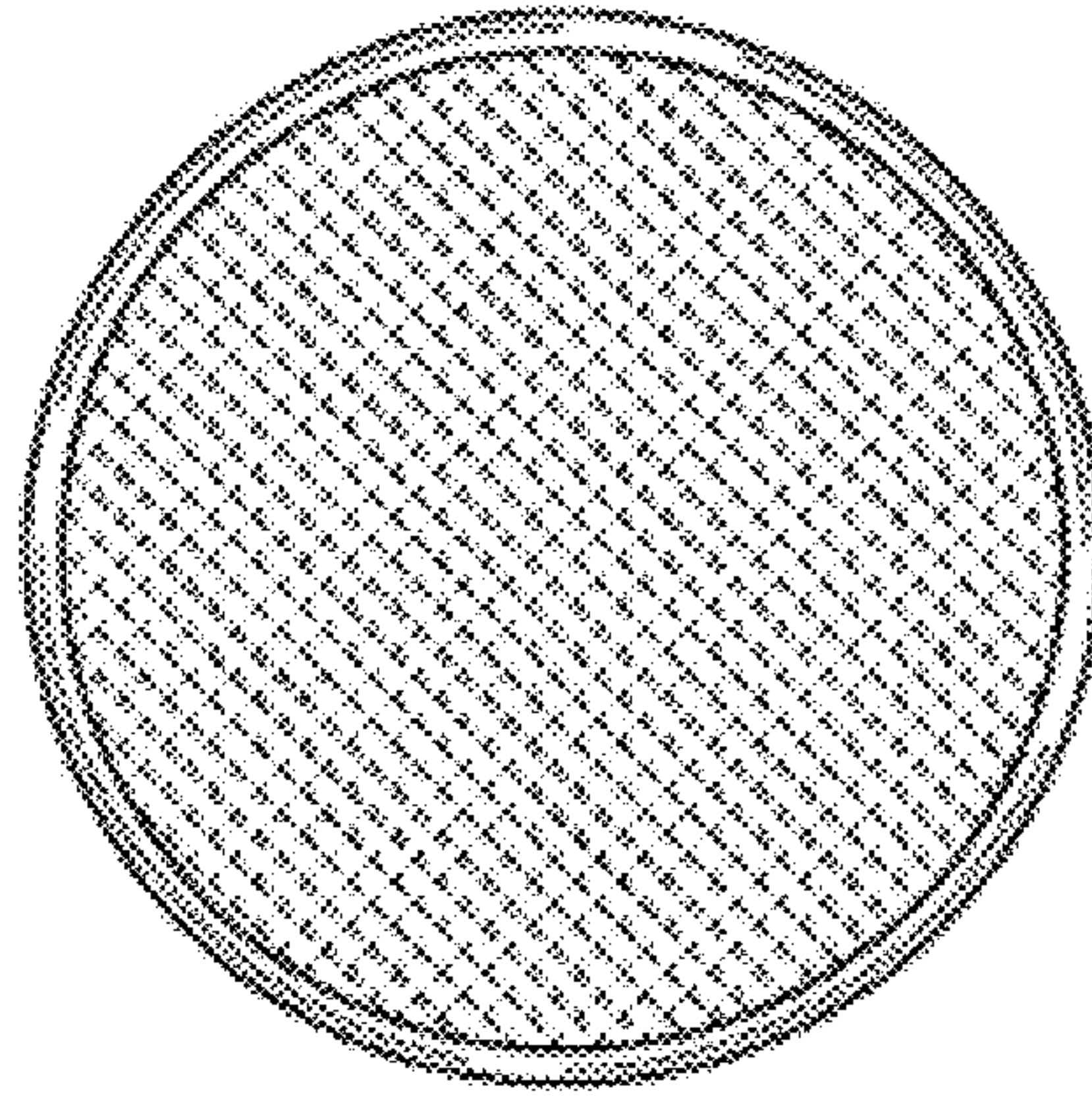


Fig. 7

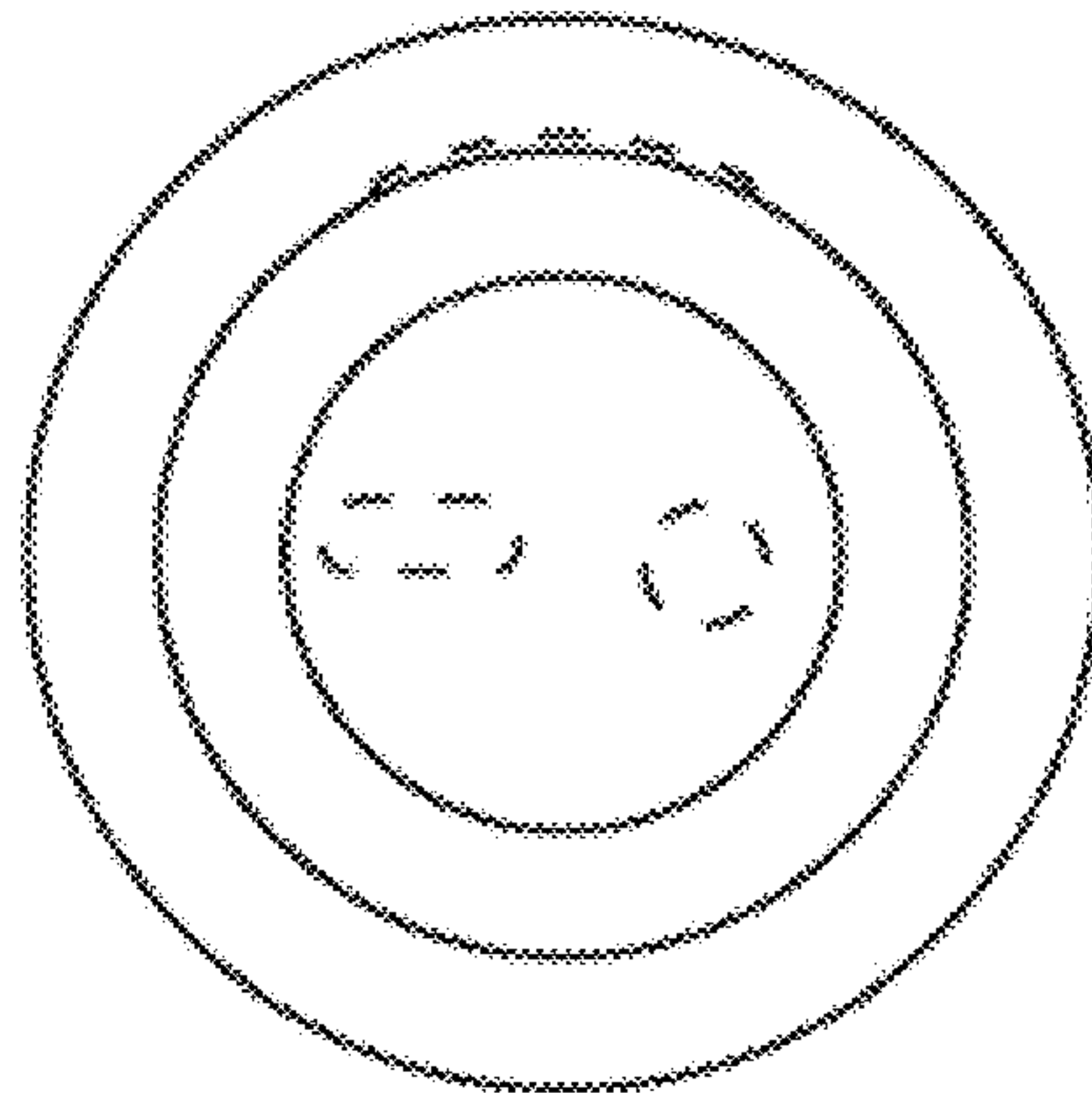


Fig. 8

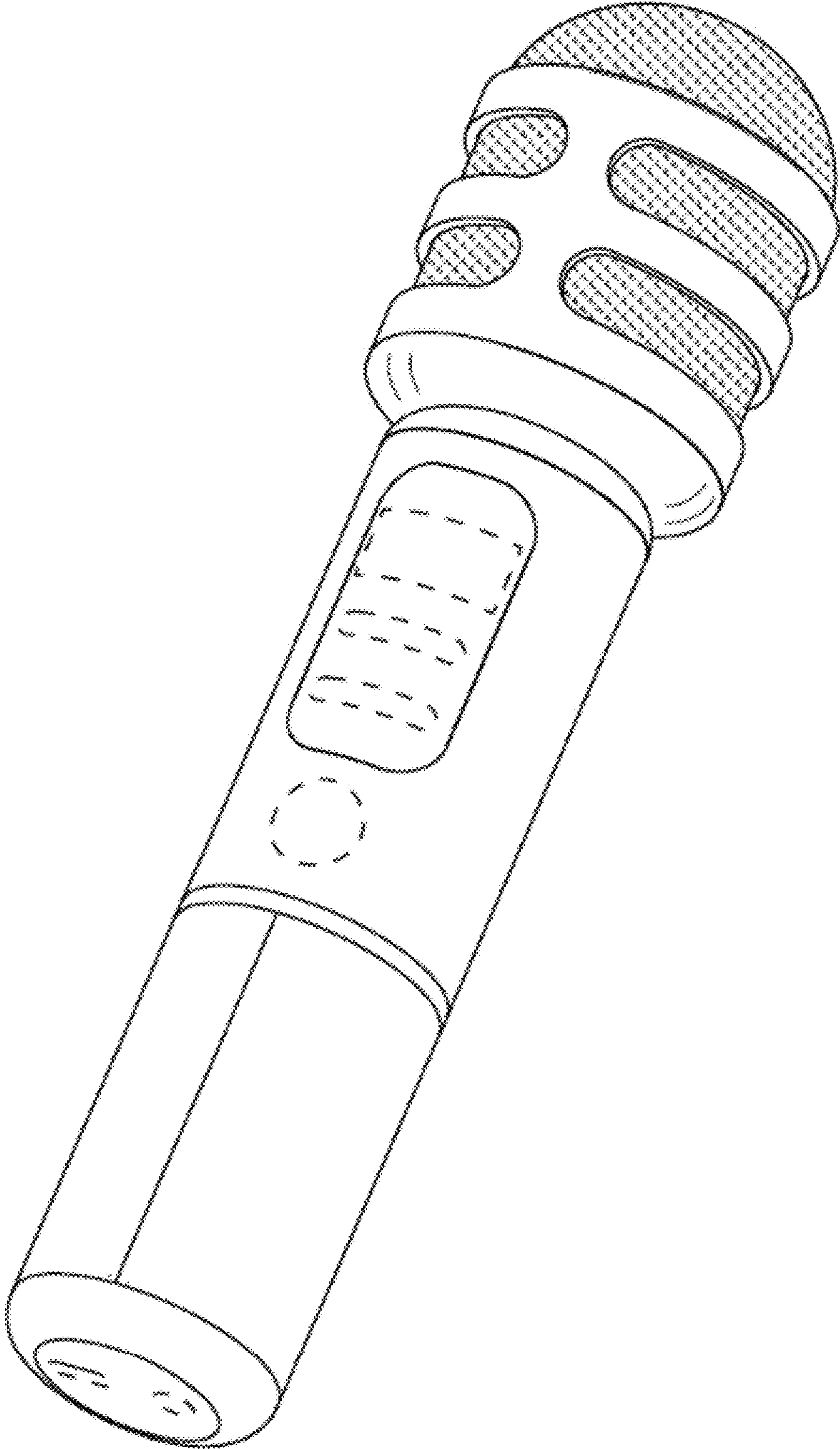


Fig. 9

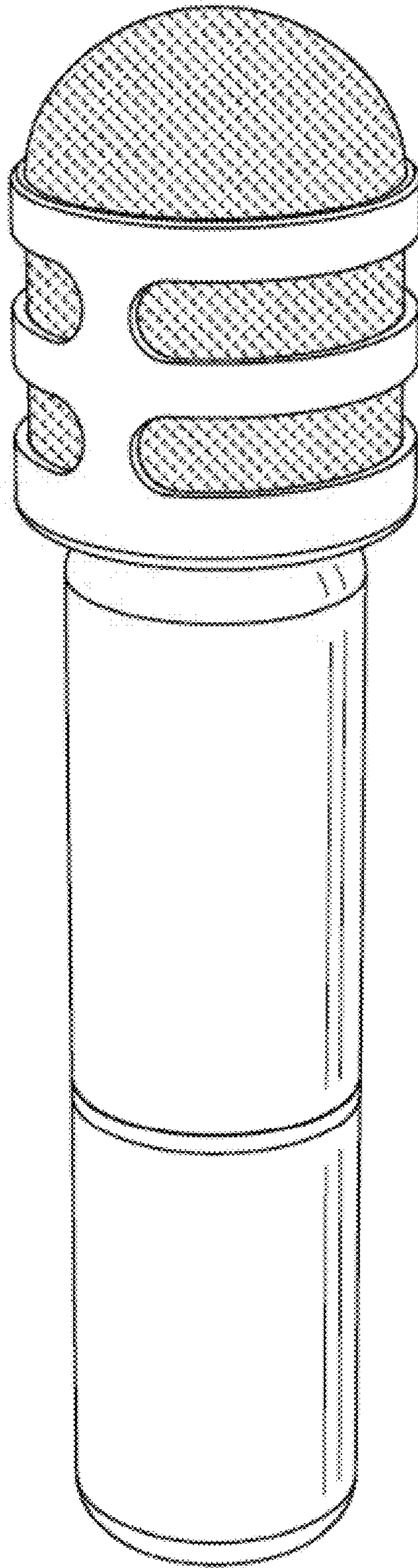


Fig. 10

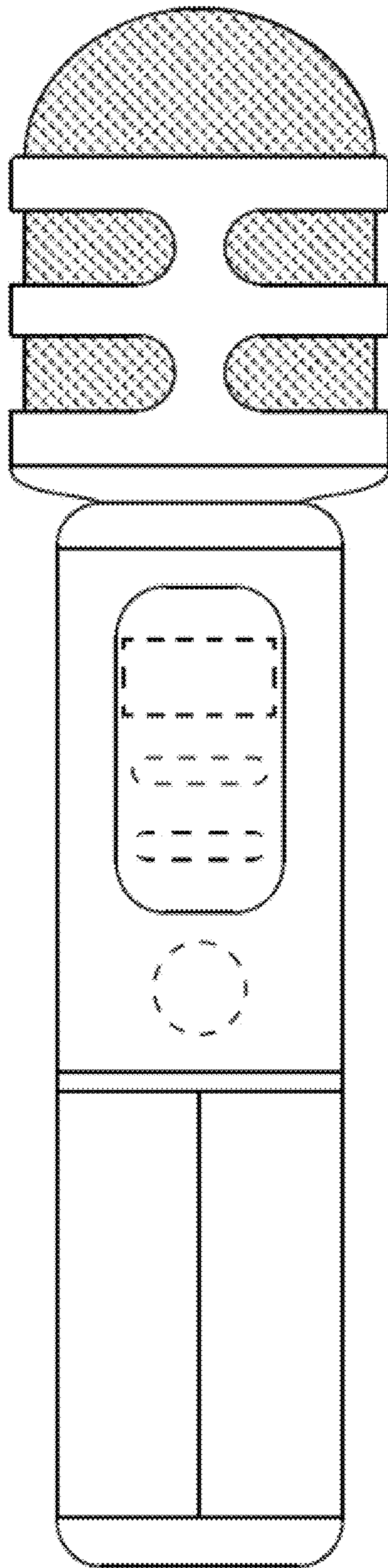


Fig. 11

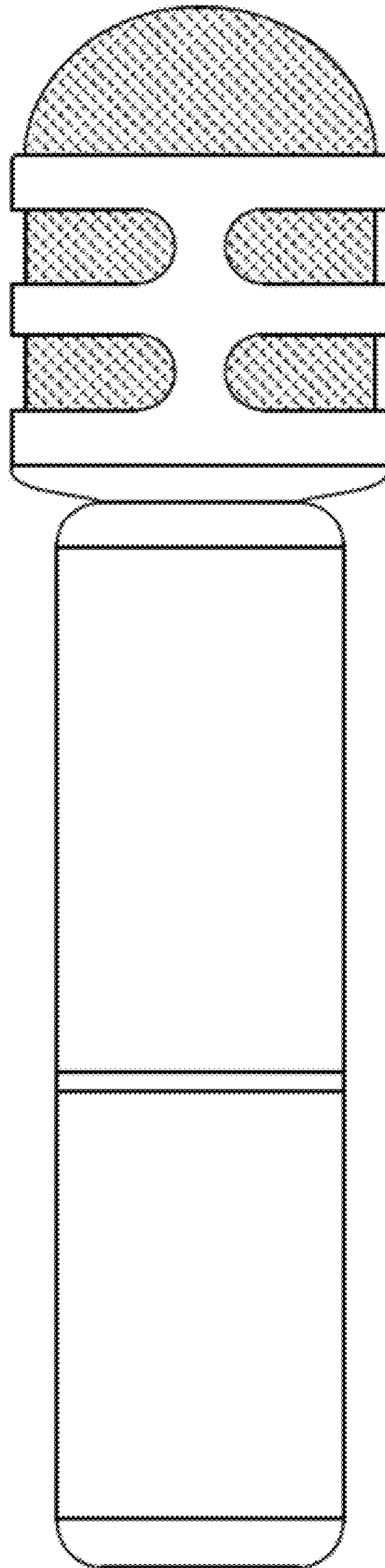


Fig. 12

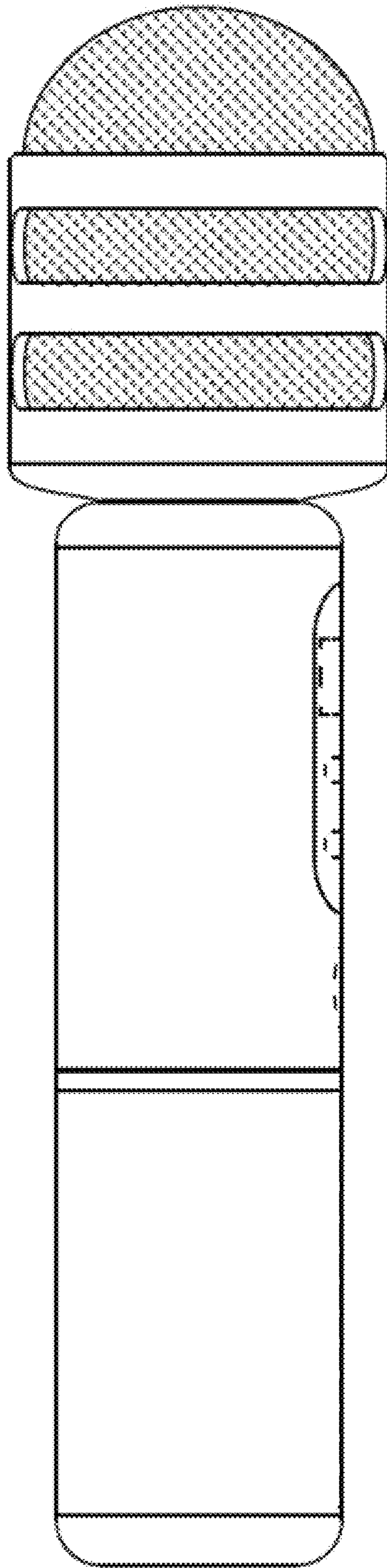


Fig. 13

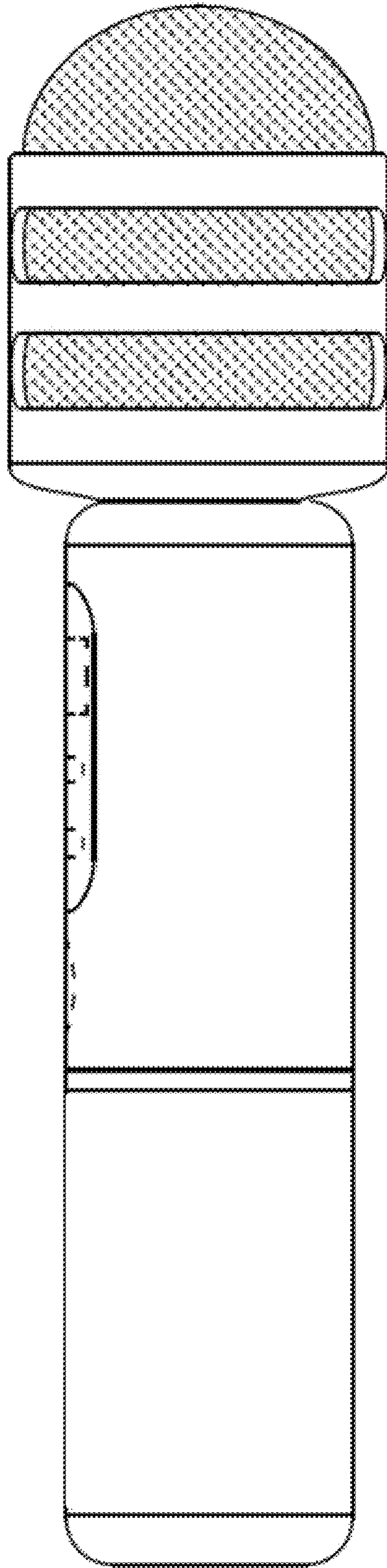


Fig. 14

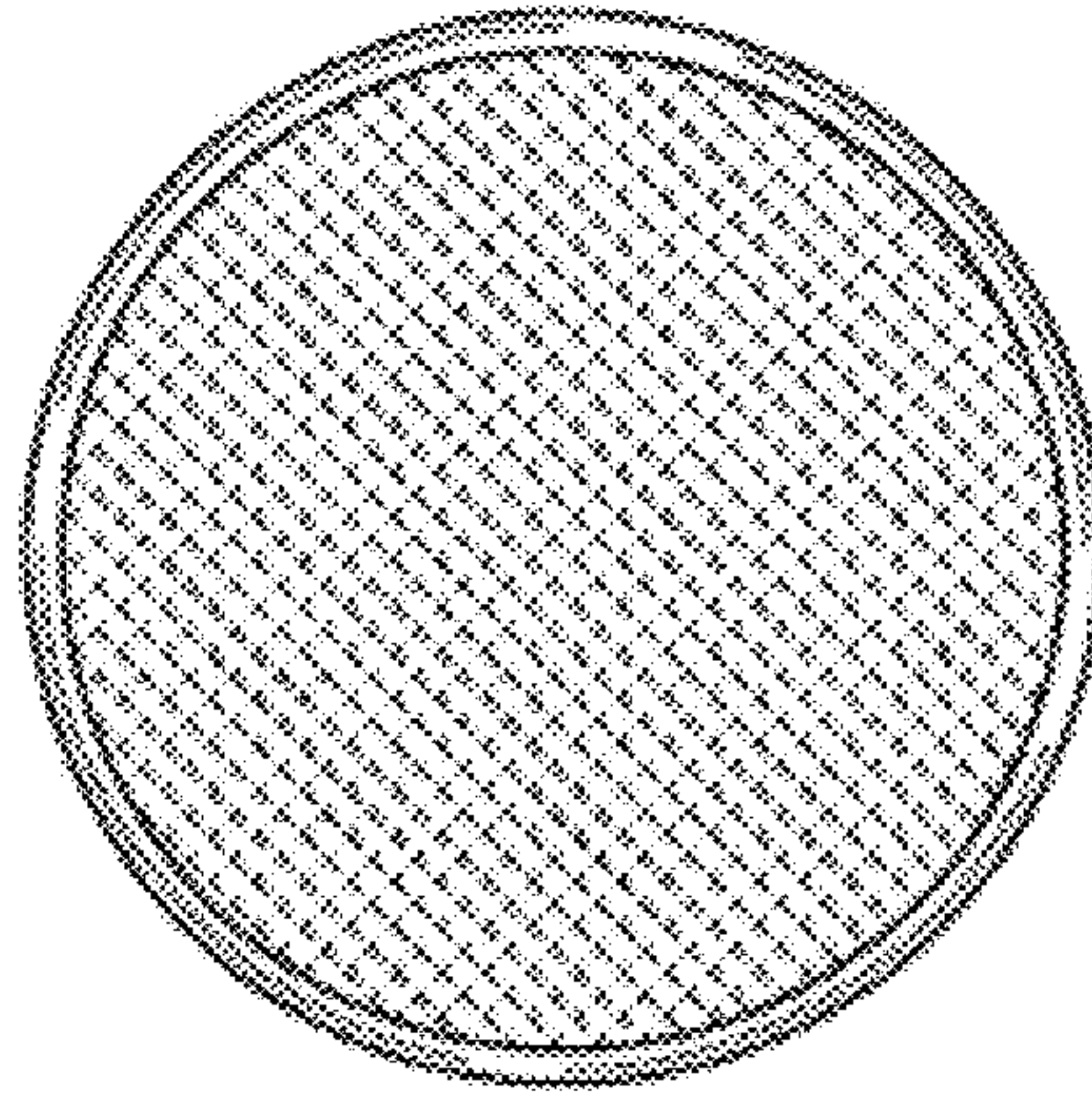


Fig. 15

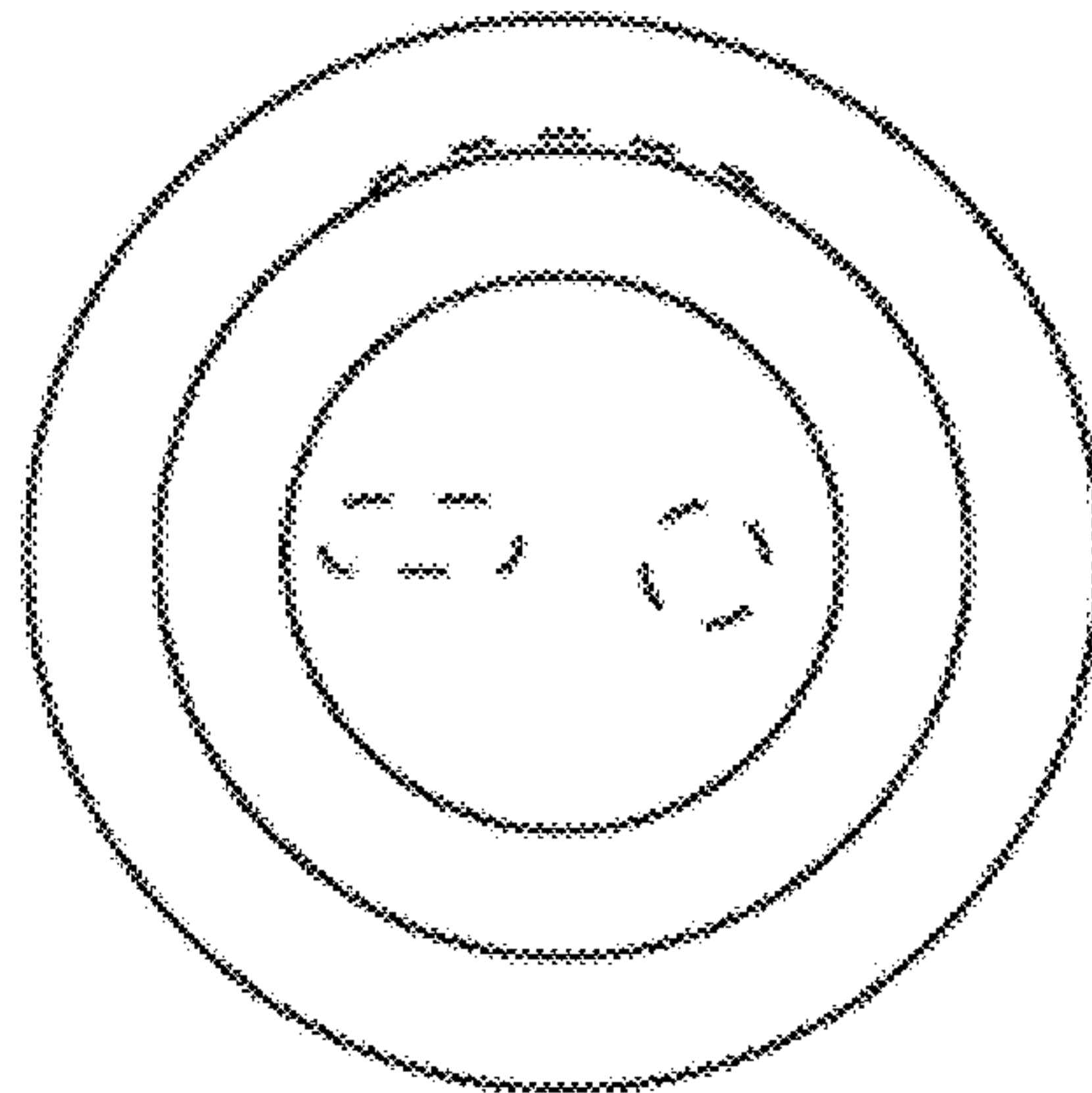


Fig. 16

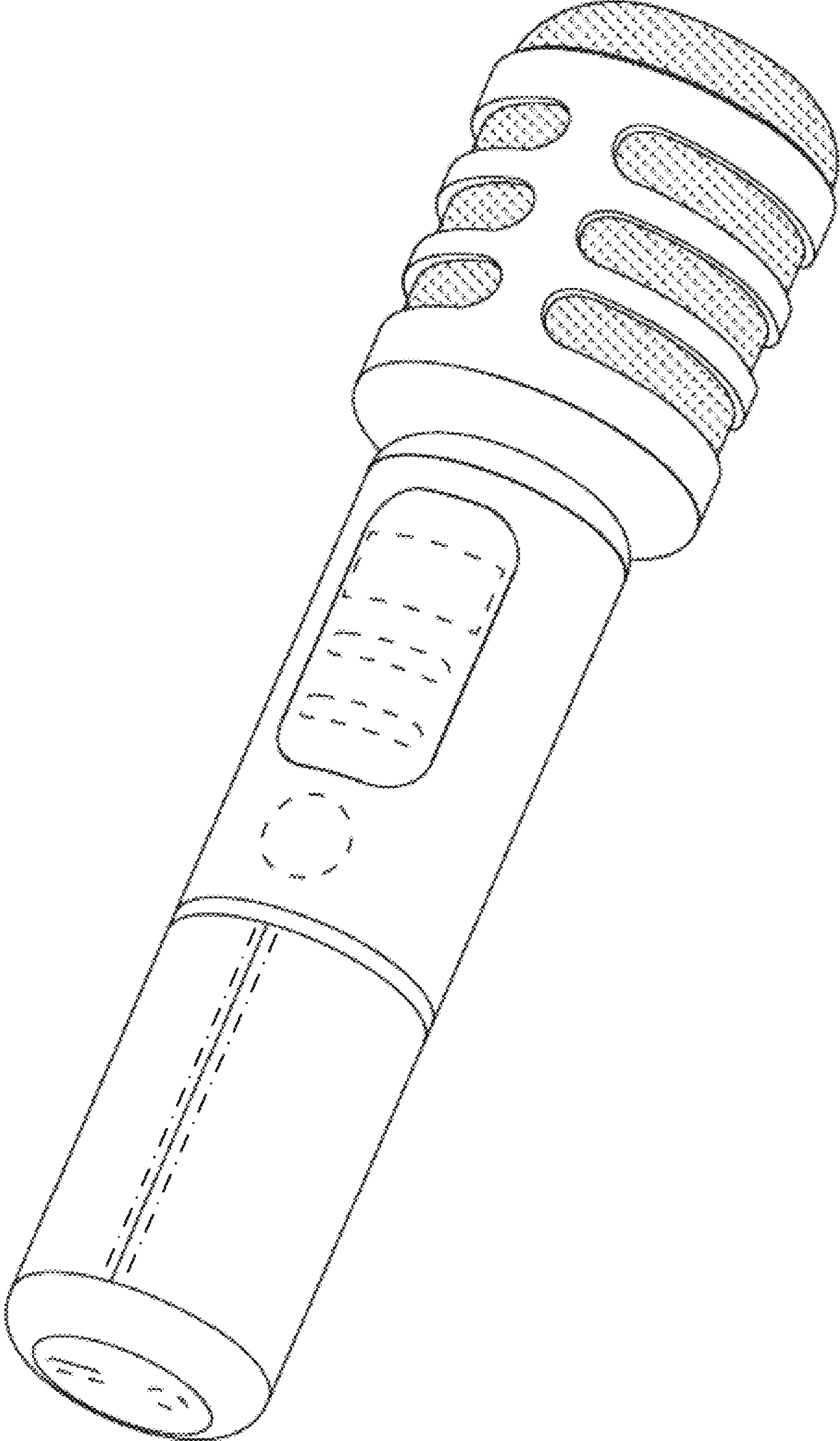


Fig. 17

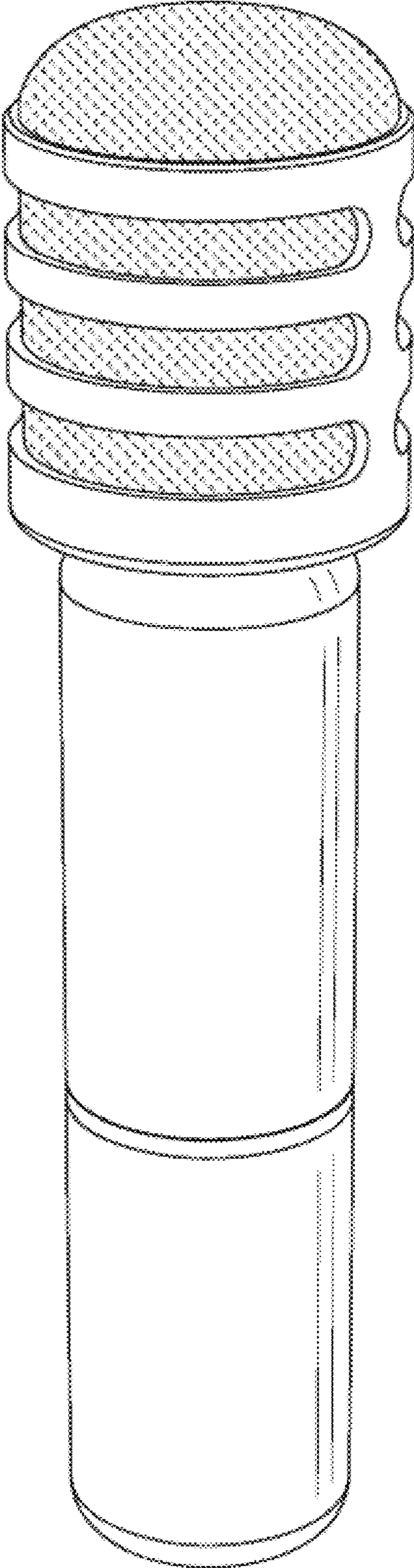


Fig. 18

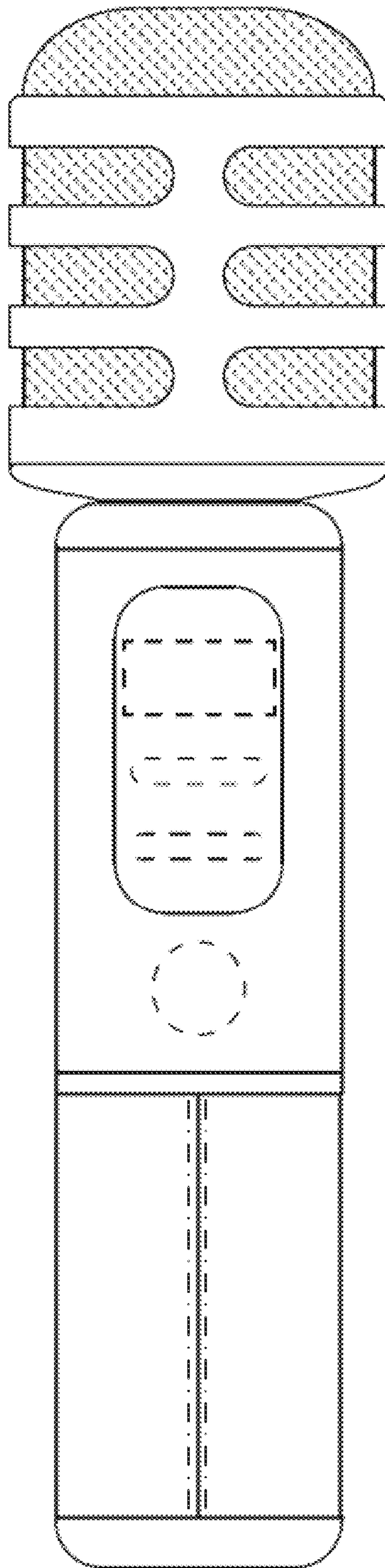


Fig. 19

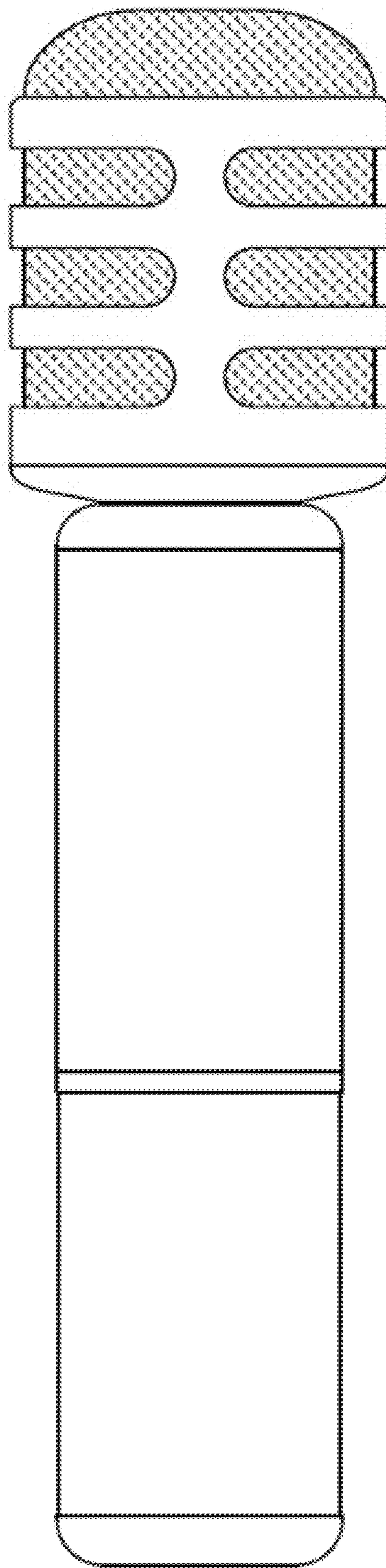


Fig. 20

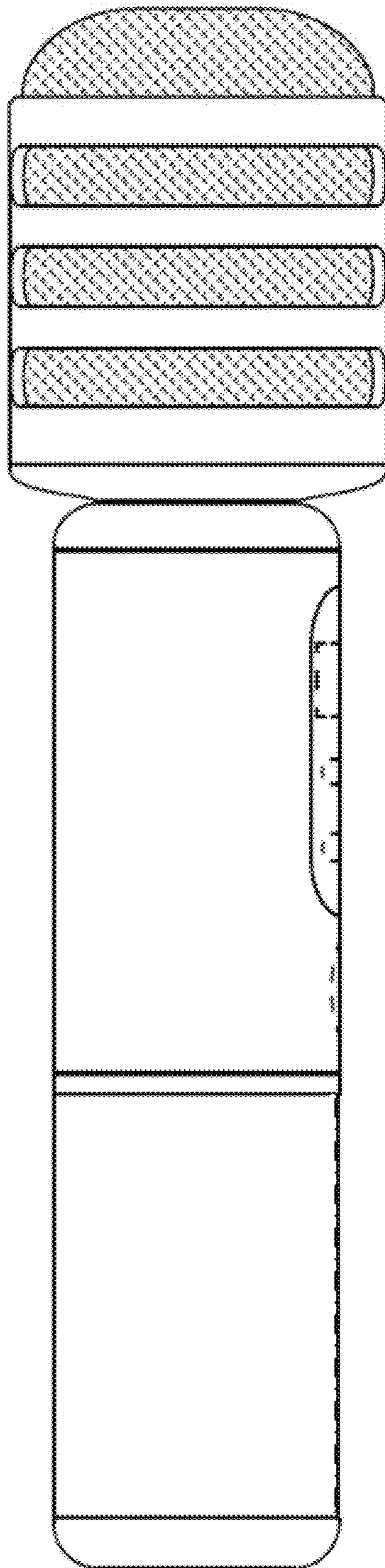


Fig. 21

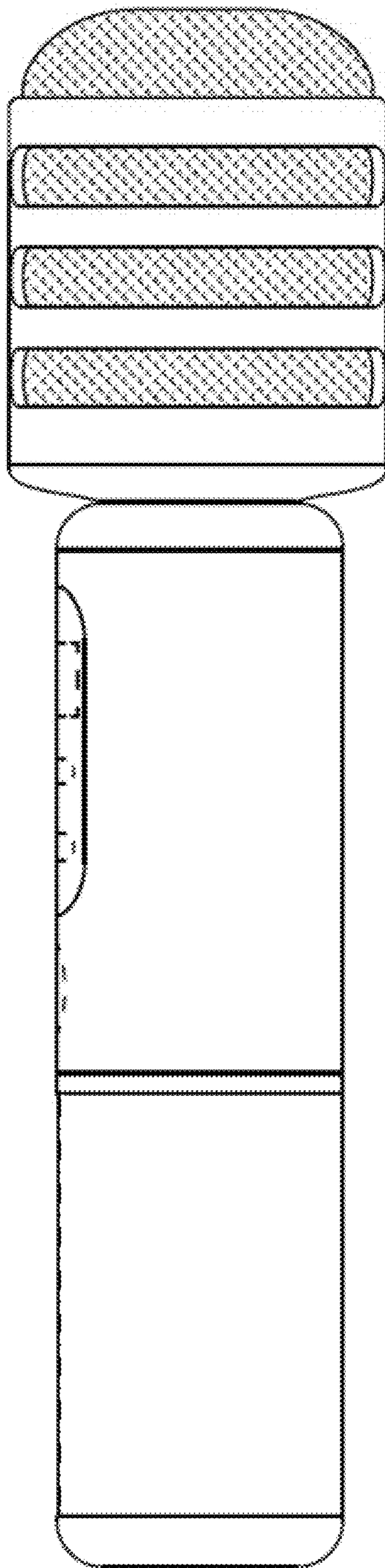


Fig. 22

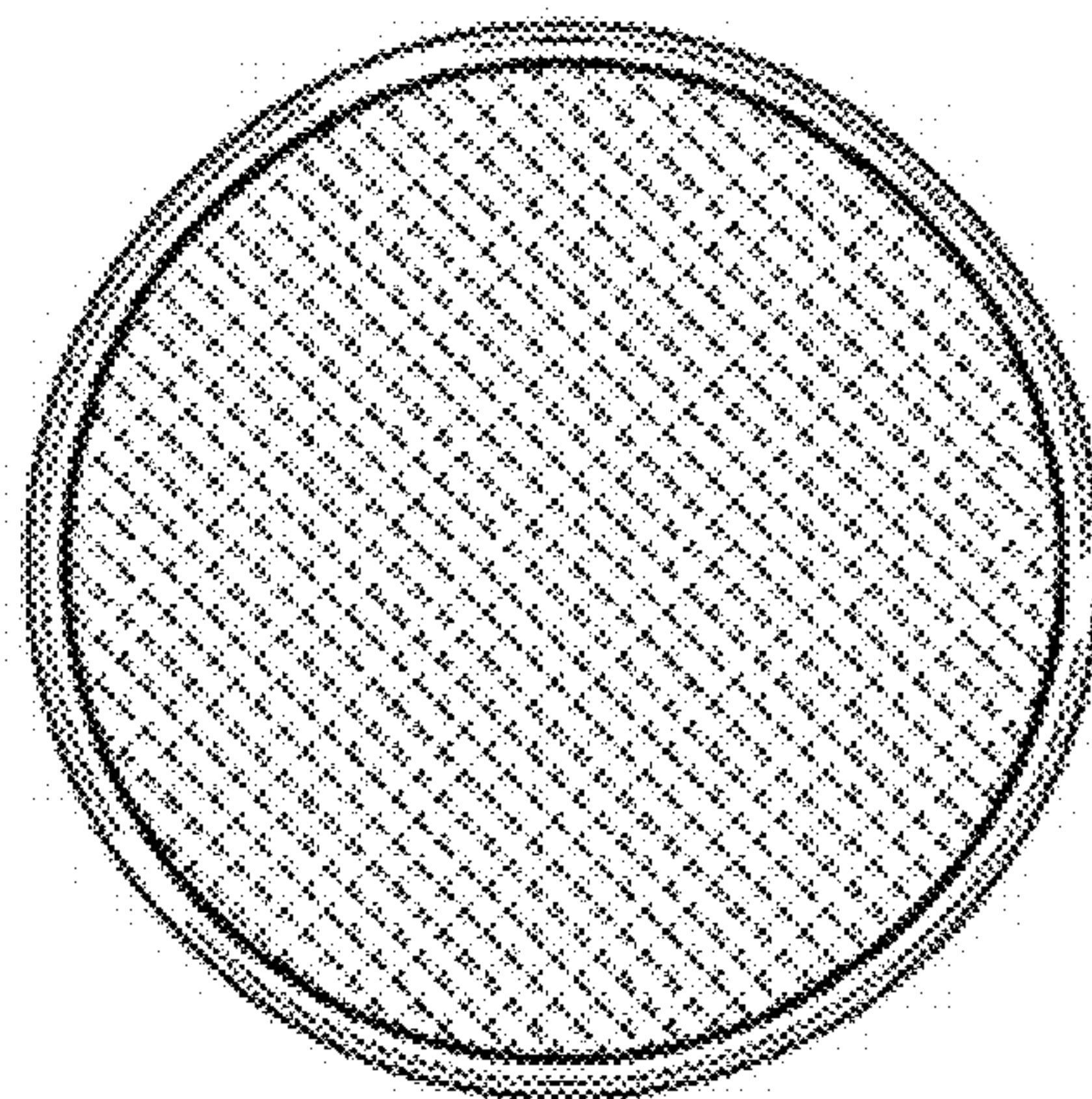


Fig. 23

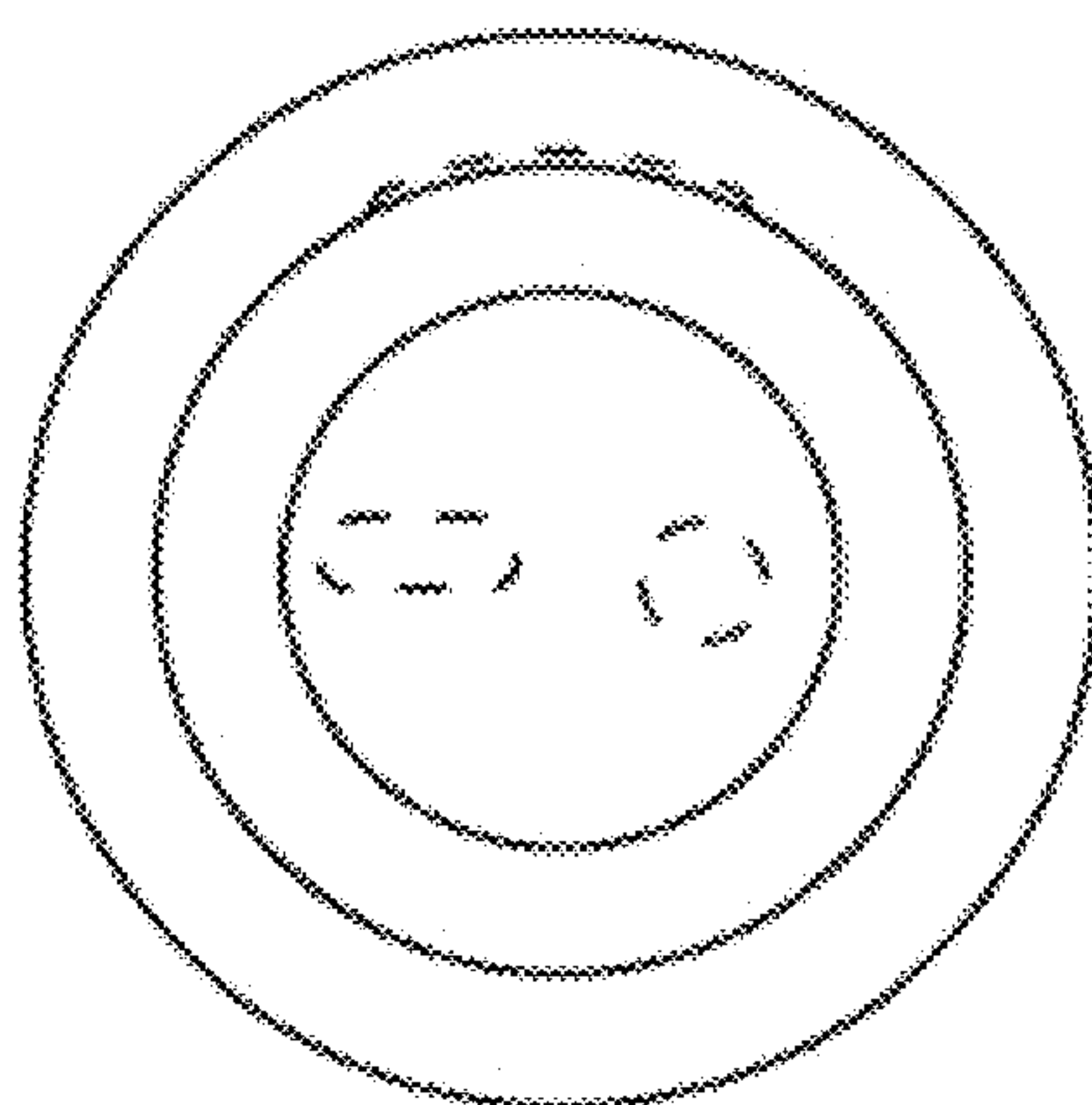


Fig. 24

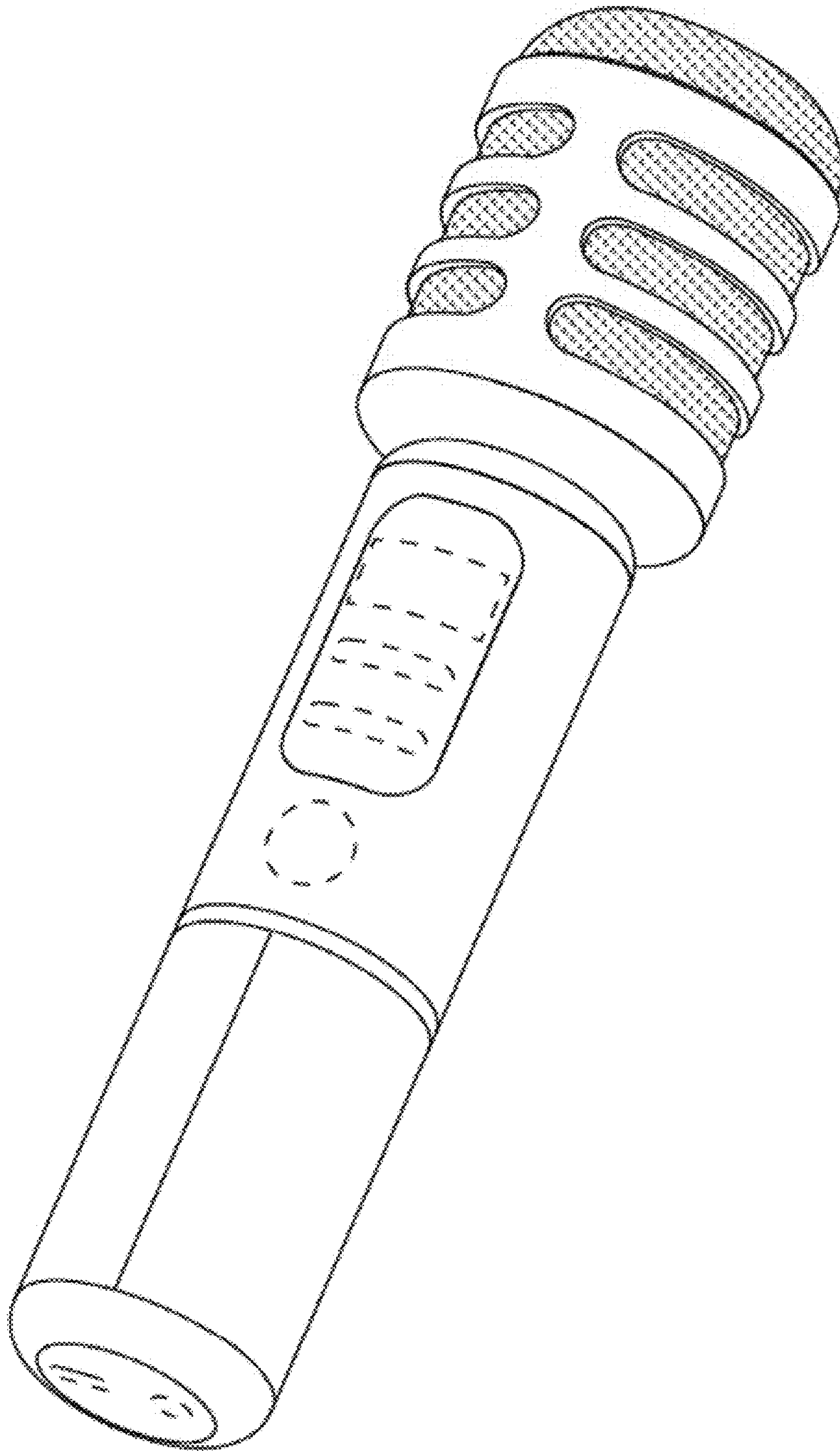


Fig. 25

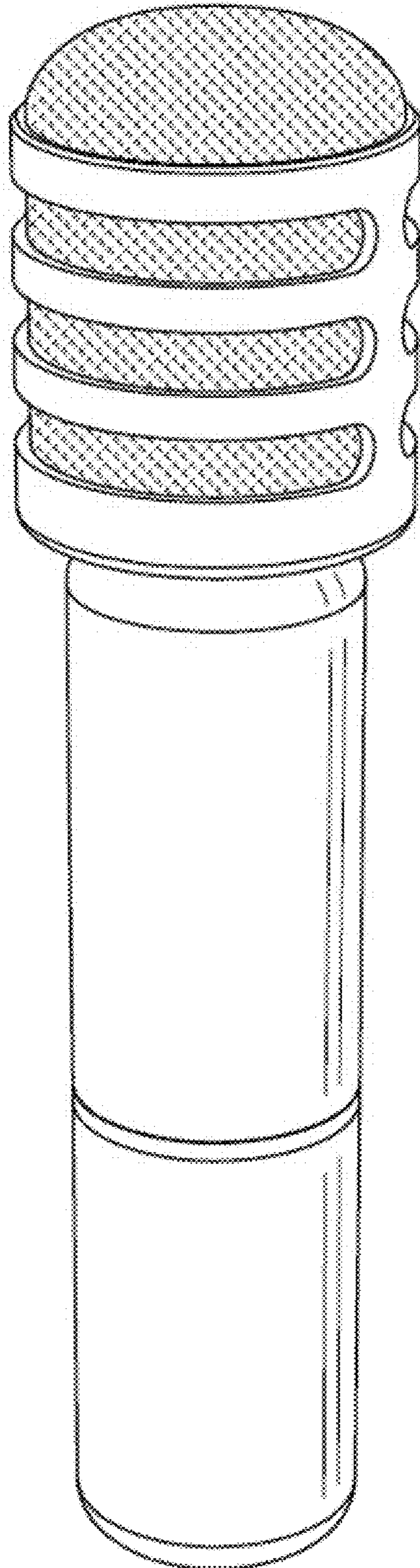


Fig. 26

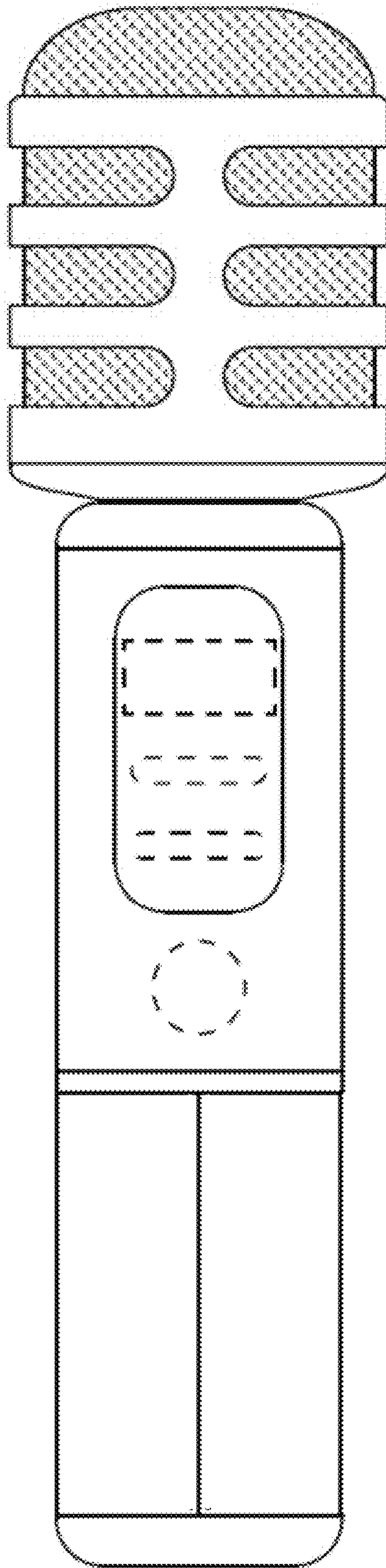


Fig. 27

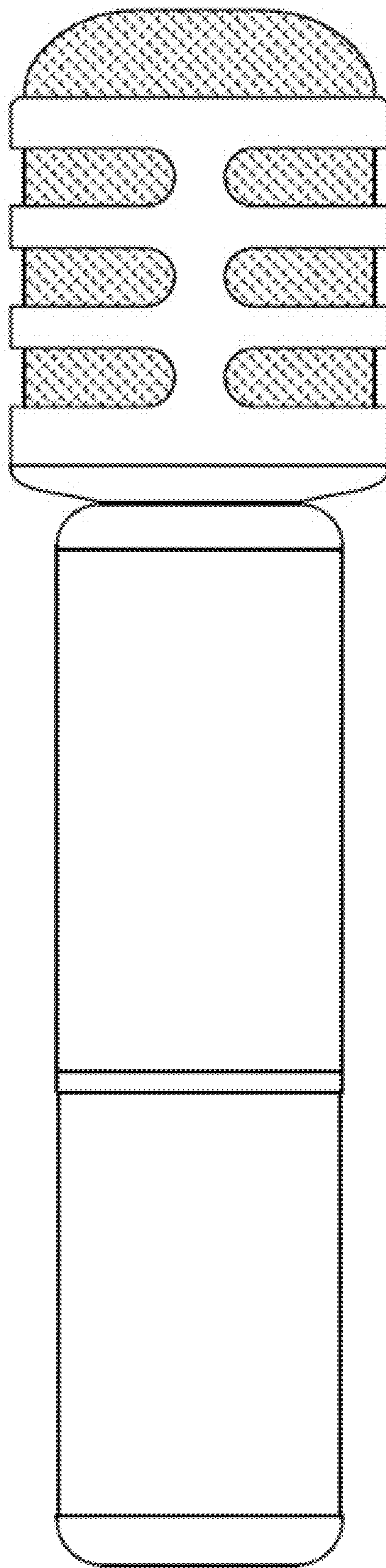


Fig. 28

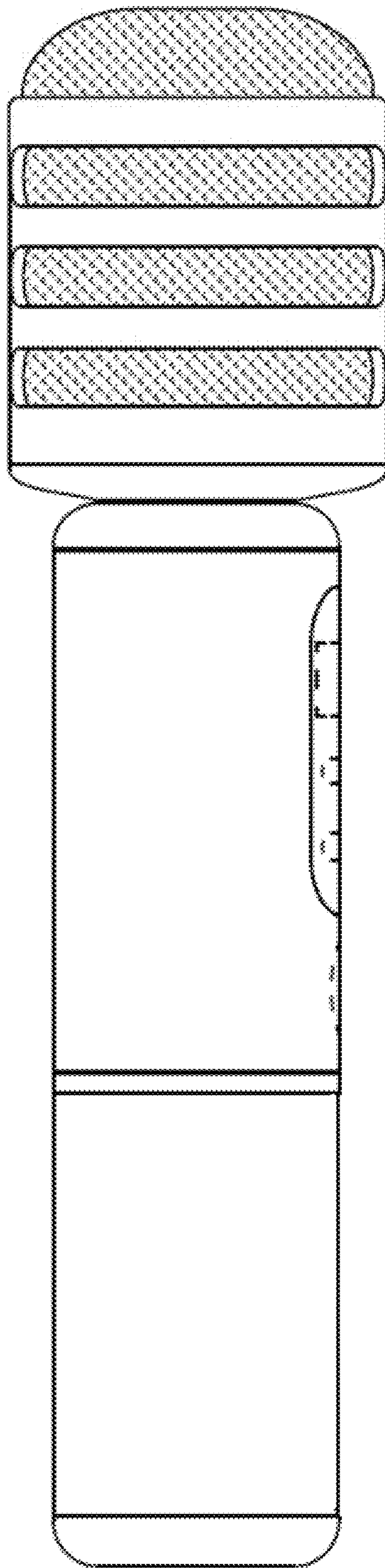


Fig. 29

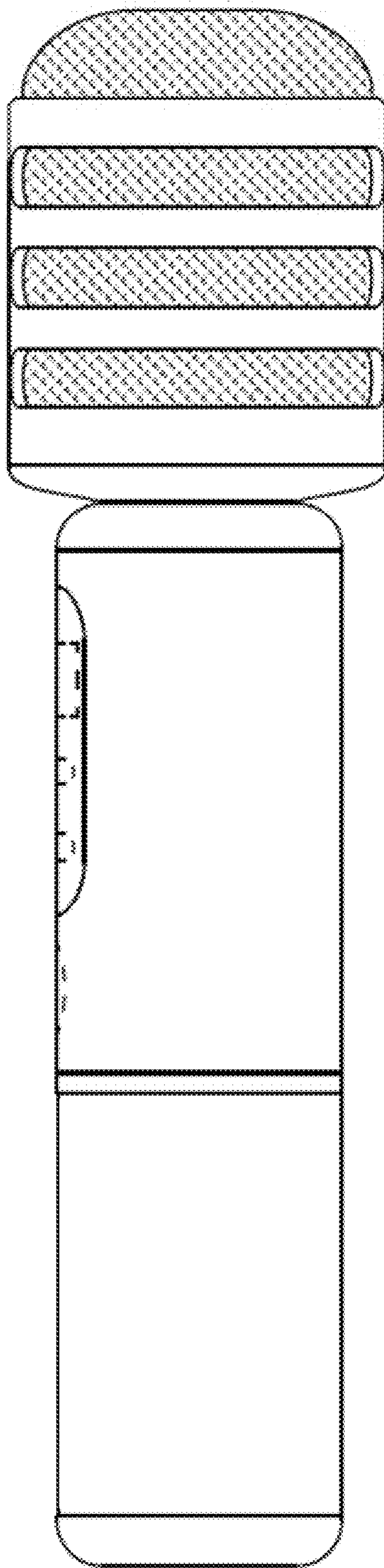


Fig. 30

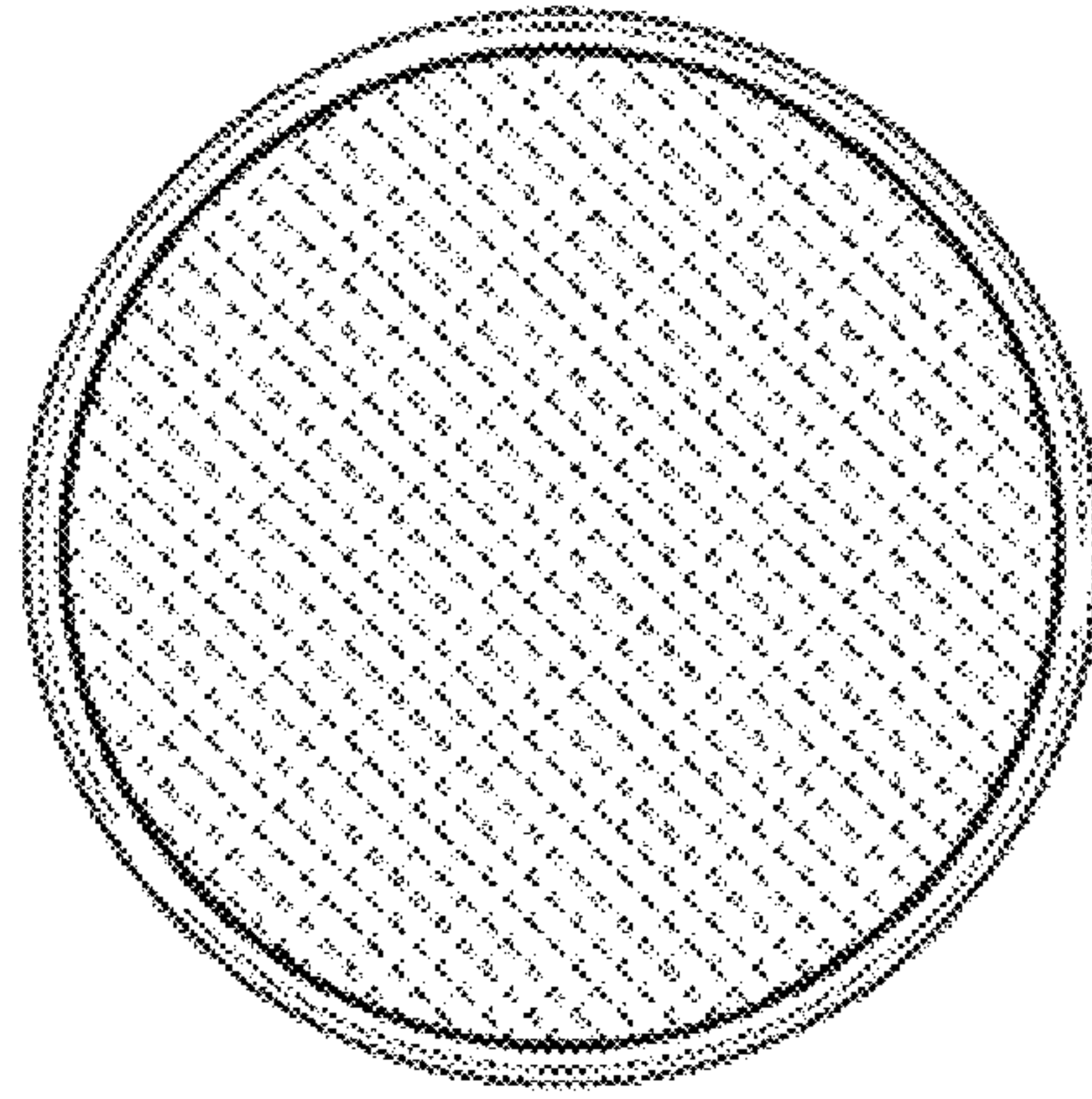


Fig. 31

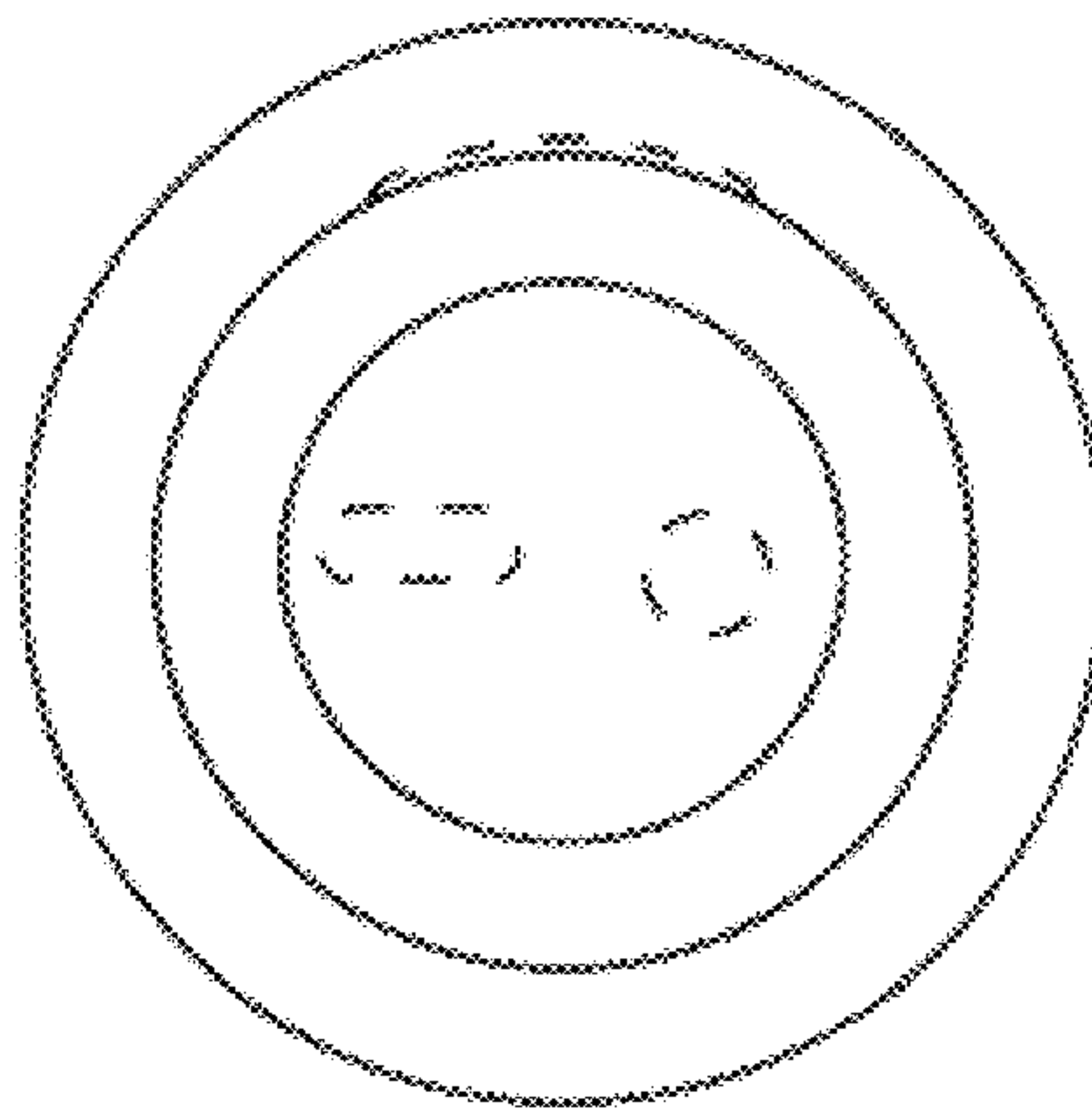


Fig. 32