

US00D898765S

(12) **United States Design Patent**  
**Xu et al.**

(10) **Patent No.:** **US D898,765 S**  
(45) **Date of Patent:** **\*\* Oct. 13, 2020**

(54) **DISPLAY SCREEN OR PORTION THEREOF WITH GRAPHICAL USER INTERFACE**

(71) Applicant: **Citrix Systems, Inc.**, Fort Lauderdale, FL (US)

(72) Inventors: **Sai Xu**, Nanjing (CN); **Rui Zhang**, Nanjing (CN); **Sujie Li**, Nanjing (CN)

(73) Assignee: **Citrix Systems, Inc.**, Fort Lauderdale, FL (US)

(\*\*) Term: **15 Years**

(21) Appl. No.: **29/678,587**

(22) Filed: **Jan. 30, 2019**

(51) **LOC (12) Cl.** ..... **14-04**

(52) **U.S. Cl.**  
USPC ..... **D14/488**

(58) **Field of Classification Search**  
USPC ..... D14/485-495; D20/11; D21/324, 325  
CPC ..... G06F 3/0219; G06F 3/048; G06F 3/0481; G06F 3/04817; G06F 3/0482; G06F 3/0483; G06F 3/04842; G06F 3/0485; G06F 3/0486; G06F 3/0488; G06F 3/04855; G06F 3/04886; G06F 9/4443; G06F 17/211; G06F 17/212; G09B 5/00  
See application file for complete search history.

(56) **References Cited**

**U.S. PATENT DOCUMENTS**

6,445,380 B1 \* 9/2002 Klein ..... G06F 3/0219  
235/145 R  
D640,281 S \* 6/2011 Davis ..... D14/487  
D701,232 S \* 3/2014 Na ..... D14/486

D717,825 S \* 11/2014 Pasquero ..... D14/487  
D734,355 S \* 7/2015 Kim ..... D14/487  
D775,168 S \* 12/2016 Gottlieb ..... D14/486  
D780,800 S \* 3/2017 Bi ..... D14/487  
D791,156 S \* 7/2017 Chen ..... D14/486  
D791,783 S \* 7/2017 Bratland ..... D14/485  
D820,281 S \* 6/2018 Yao ..... D14/485  
2008/0259039 A1 \* 10/2008 Kocienda ..... G06F 3/04886  
345/173  
2011/0082808 A1 \* 4/2011 Beykpour ..... G09B 5/00  
705/327

**OTHER PUBLICATIONS**

“G2Quick Tip: How to Activate One-handed Operation for Left / Right Keyboard on LG G2” Feb. 5, 2014, posted at androidadvice.com, [site visited Jun. 3, 2020]. <http://androidadvice.com/activate-one-handed-operation-keyboard-lg-g2> (Year: 2014).\*

(Continued)

*Primary Examiner* — Jack Reickel

*Assistant Examiner* — John M Otte

(74) *Attorney, Agent, or Firm* — Banner & Witcoff, Ltd.

(57) **CLAIM**

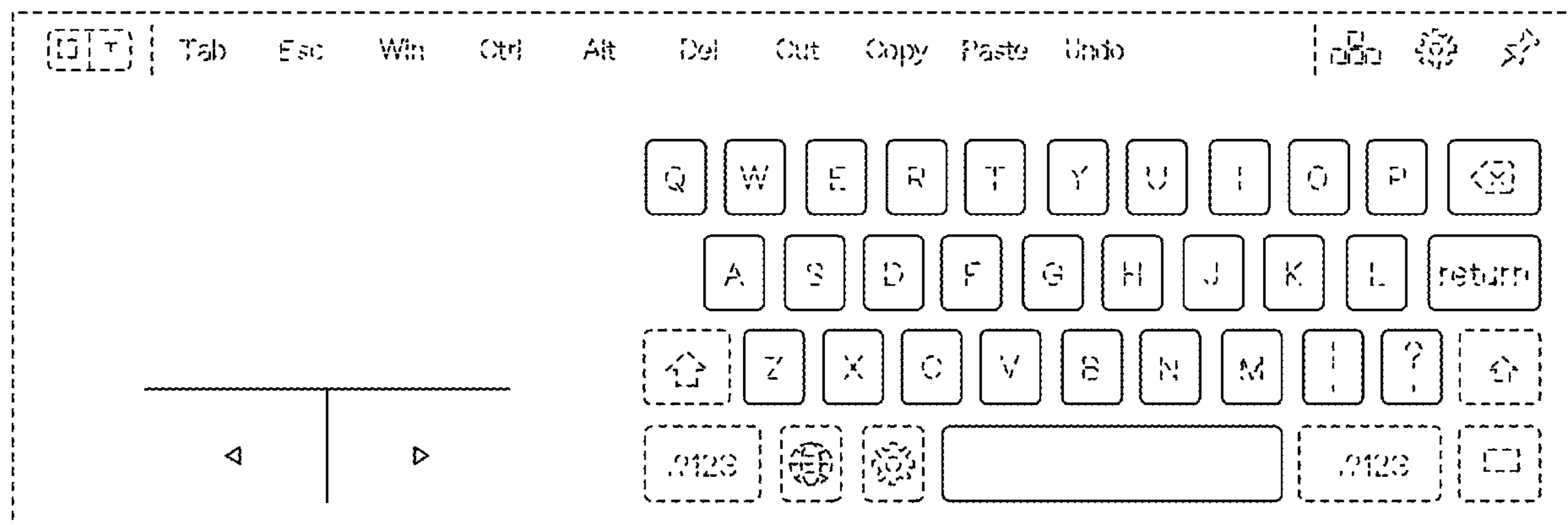
The ornamental design for a display screen or portion thereof with graphical user interface, as shown and described.

**DESCRIPTION**

FIG. 1 is a front view of a display screen or portion thereof with graphical user interface showing our new design; and, FIG. 2 is a front view of a display screen or portion thereof with graphical user interface showing an alternative embodiment of our new design.

The broken lines depicting the text, various symbols, display screen, and the remainder of the graphical user interface show features that form no part of the claimed design.

**1 Claim, 2 Drawing Sheets**



(56)

**References Cited**

OTHER PUBLICATIONS

“Best Keyboard for Android” Nov. 1, 2016, AIVA net [site visited Jun. 3, 2020] <https://www.aivanet.com/2016/11/best-keyboard-for-android> (Year: 2016).\*

“Keyboard covering screen” May 26, 2016, posted at discussions.citrix.com, [site visited Jun. 2, 2020]. <https://discussions.citrix.com/topic/378283-keybord-covering-screen> (Year: 2016).\*

“Windows 8: Bildschirm-Tastatur aktivieren and deaktivieren” Aug. 24, 2014, posted at techfrage.de, [site visited Jun. 2, 2020]. <http://techfrage.de/question/409/windows-8-bildschirm-tastatur-aktivieren-und-deaktivieren/?answer=410> (Year: 2014).\*

\* cited by examiner

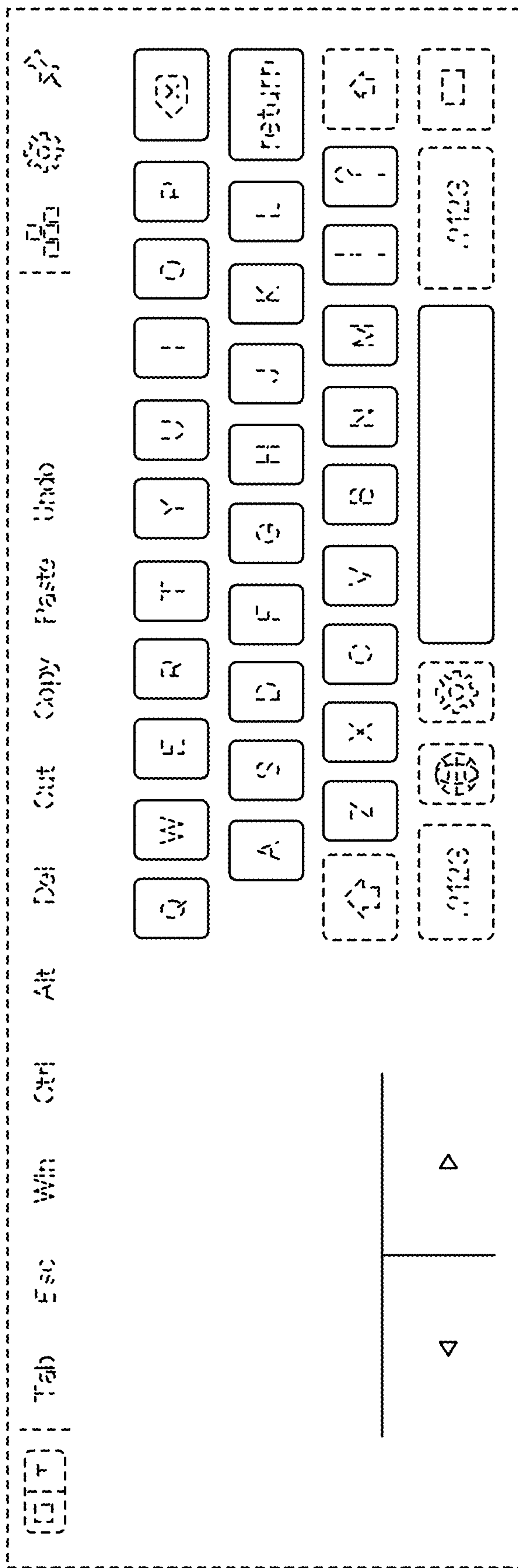


FIG. 1

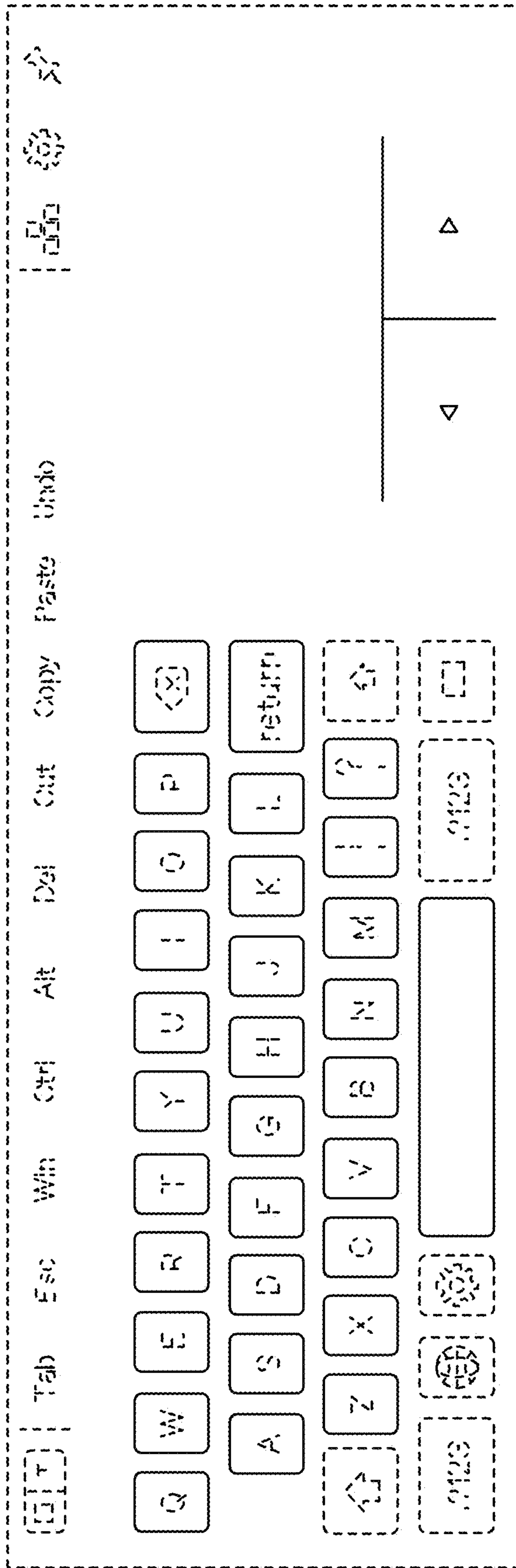


FIG. 2