



US00D898748S

(12) **United States Design Patent**
Ma

(10) **Patent No.:** **US D898,748 S**

(45) **Date of Patent:** **** Oct. 13, 2020**

(54) **LAPTOP STAND**

(71) Applicant: **Yonghong Ma**, Puning (CN)

(72) Inventor: **Yonghong Ma**, Puning (CN)

(**) Term: **15 Years**

(21) Appl. No.: **29/728,671**

(22) Filed: **Mar. 20, 2020**

(51) **LOC (12) Cl.** **08-07**

(52) **U.S. Cl.**
USPC **D14/447**

(58) **Field of Classification Search**
USPC D14/447, 432, 434, 439, 440, 451, 452,
D14/457, 239, 253; D8/363, 373, 380;
D6/406.3, 406.4, 406.5, 406.6; D12/415
CPC A47B 21/04; A47B 2097/006; A47B
2097/005; A47B 2023/049; A45C
2011/002; A45C 2011/003; F16M
2200/00; F16M 13/00

See application file for complete search history.

(56) **References Cited**

U.S. PATENT DOCUMENTS

D469,277 S	1/2003	Vlaar	
D475,057 S	5/2003	Lord	
D558,773 S	1/2008	Derry et al.	
D659,147 S *	5/2012	Hu	D14/447
D672,782 S *	12/2012	Gross	D14/447
D689,500 S *	9/2013	Faulk	D14/447
D757,019 S	5/2016	Pitteri	
D764,478 S *	8/2016	Radmard	H04M 1/185 D14/250
D783,628 S *	4/2017	Pitteri	D14/447
D792,417 S *	7/2017	Xiang	D14/447
D800,135 S *	10/2017	Ramey, III	D14/451

D820,846 S *	6/2018	Lee	D14/451
D825,573 S	8/2018	Belitz et al.	
D827,652 S *	9/2018	Jacques	D14/447
D829,216 S	9/2018	Belitz et al.	
D833,450 S *	11/2018	Oakley	D14/451
D835,115 S	12/2018	Westergard et al.	
D838,724 S *	1/2019	Olander	A47B 23/04 D14/447
D847,127 S *	4/2019	Ostensen	D14/239
D847,822 S	5/2019	Lye	
D861,701 S *	10/2019	Benoni	D14/447
D867,370 S	11/2019	Taylor	

* cited by examiner

Primary Examiner — Angela J Lee

(74) *Attorney, Agent, or Firm* — Law Offices of Steven W. Weinrieb

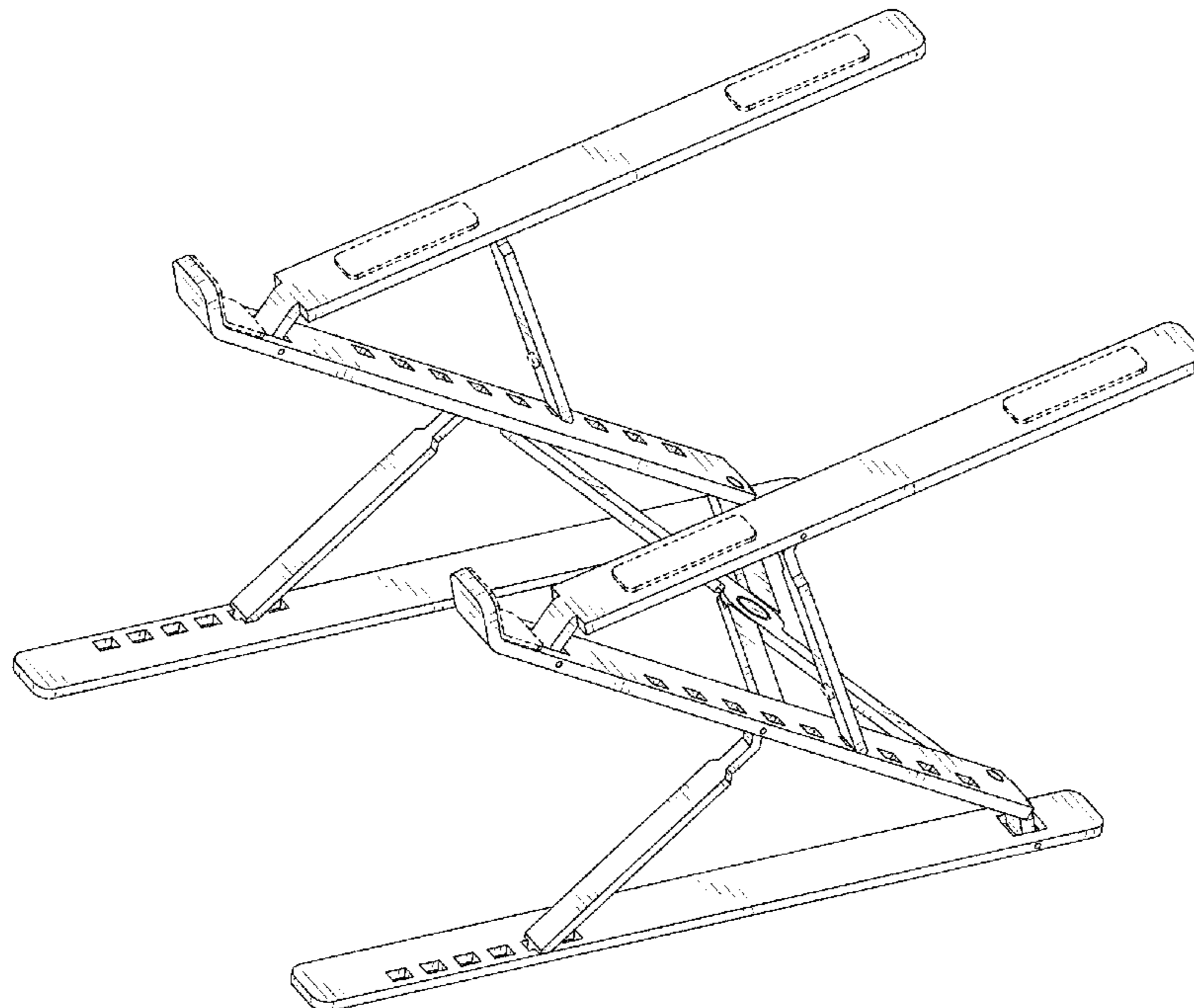
(57) **CLAIM**

The ornamental design for a laptop stand, as shown and described.

DESCRIPTION

FIG. 1 is a front, right side, top perspective view of a laptop stand showing my new design;
FIG. 2 is a rear, left side, bottom perspective view thereof;
FIG. 3 is a front elevational view thereof
FIG. 4 is a rear elevational view thereof;
FIG. 5 is a left side elevational view thereof;
FIG. 6 is a right side elevational view thereof;
FIG. 7 is a top plan view thereof;
FIG. 8 is a bottom plan view thereof; and,
FIG. 9 is a front, right side, top perspective view of the laptop stand shown in its collapsed state.
The broken lines depict portions of the laptop stand that form no part of the claimed design.

1 Claim, 9 Drawing Sheets



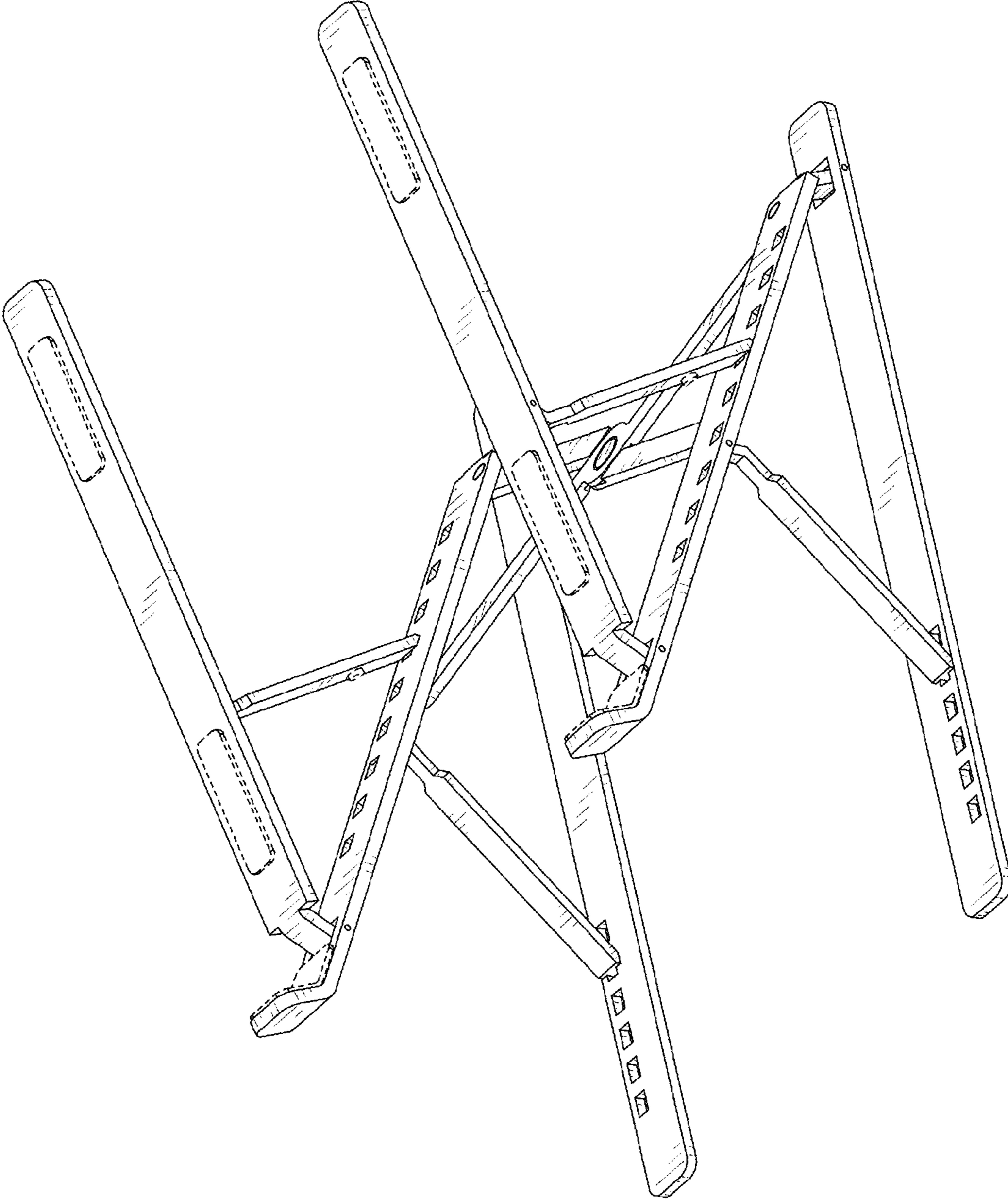


FIG. 1

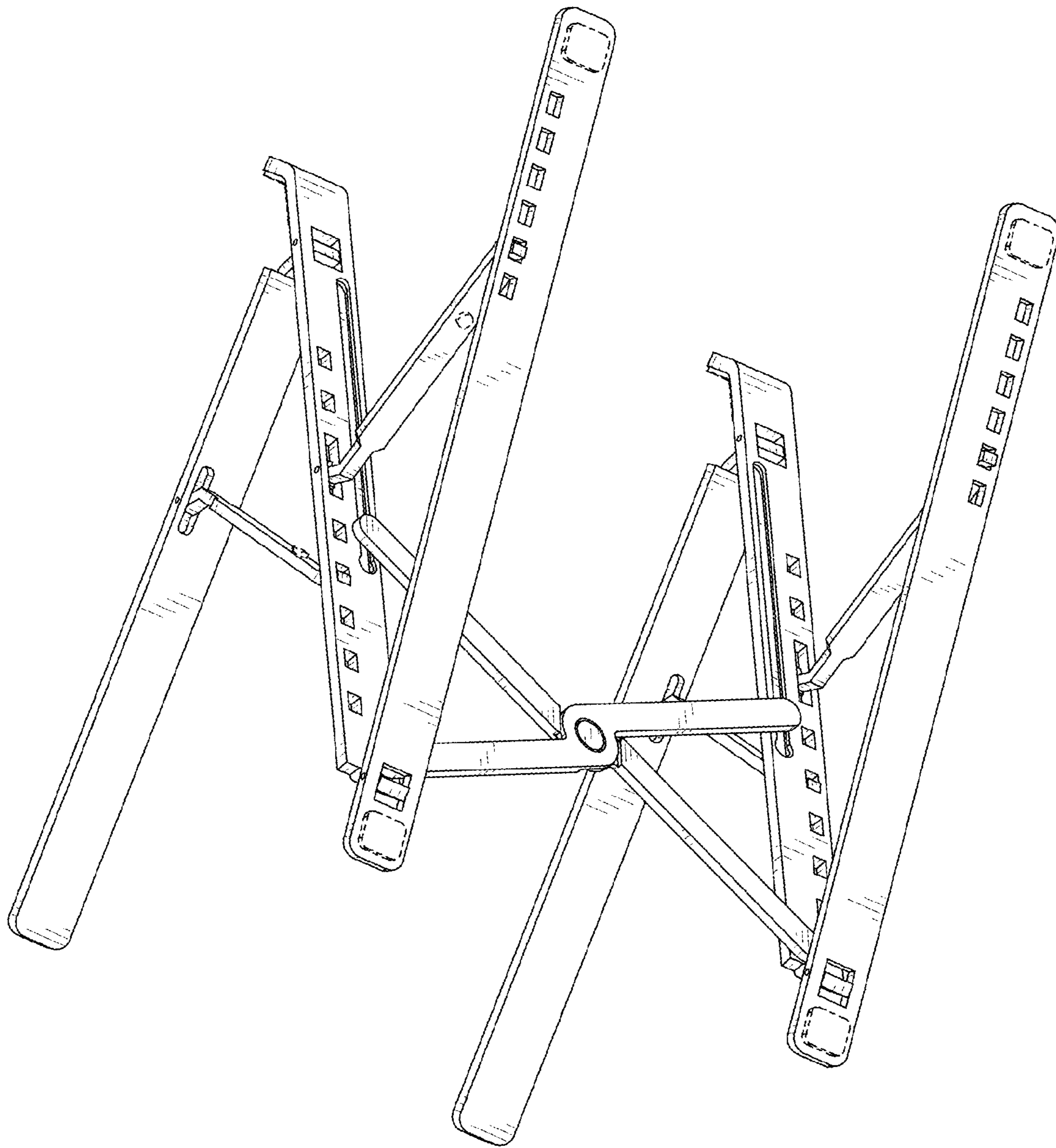


FIG. 2

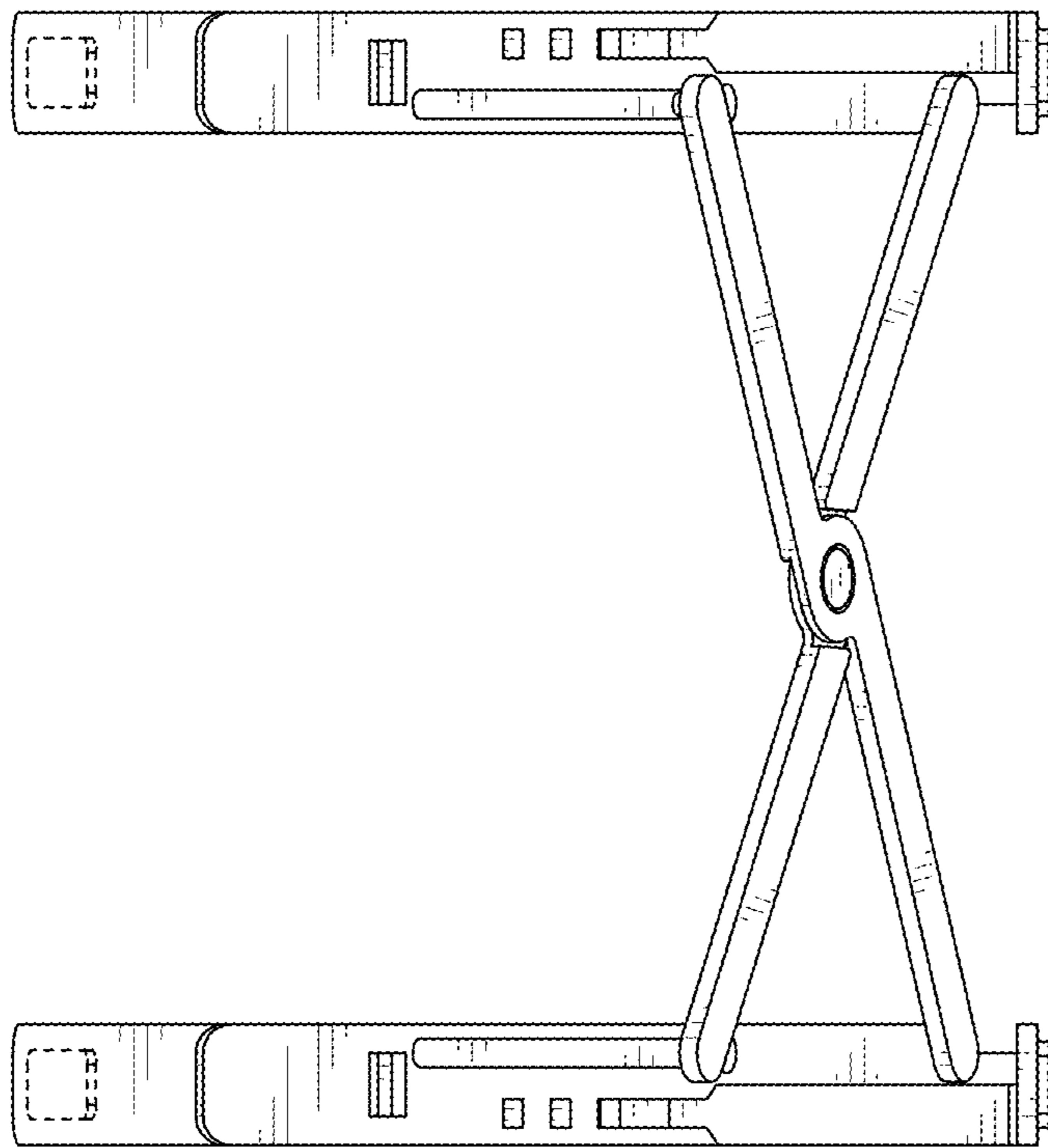


FIG. 3

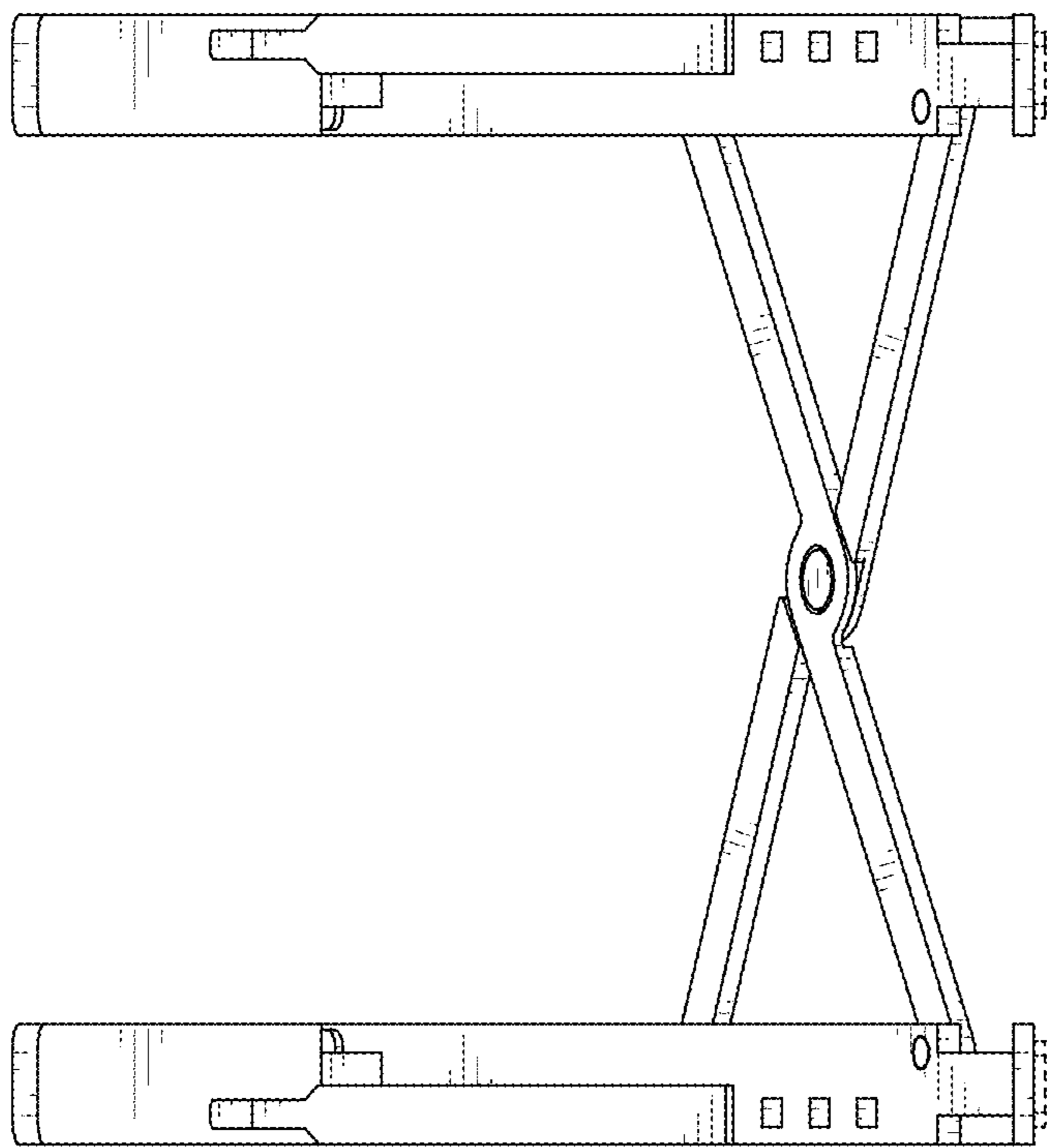


FIG. 4

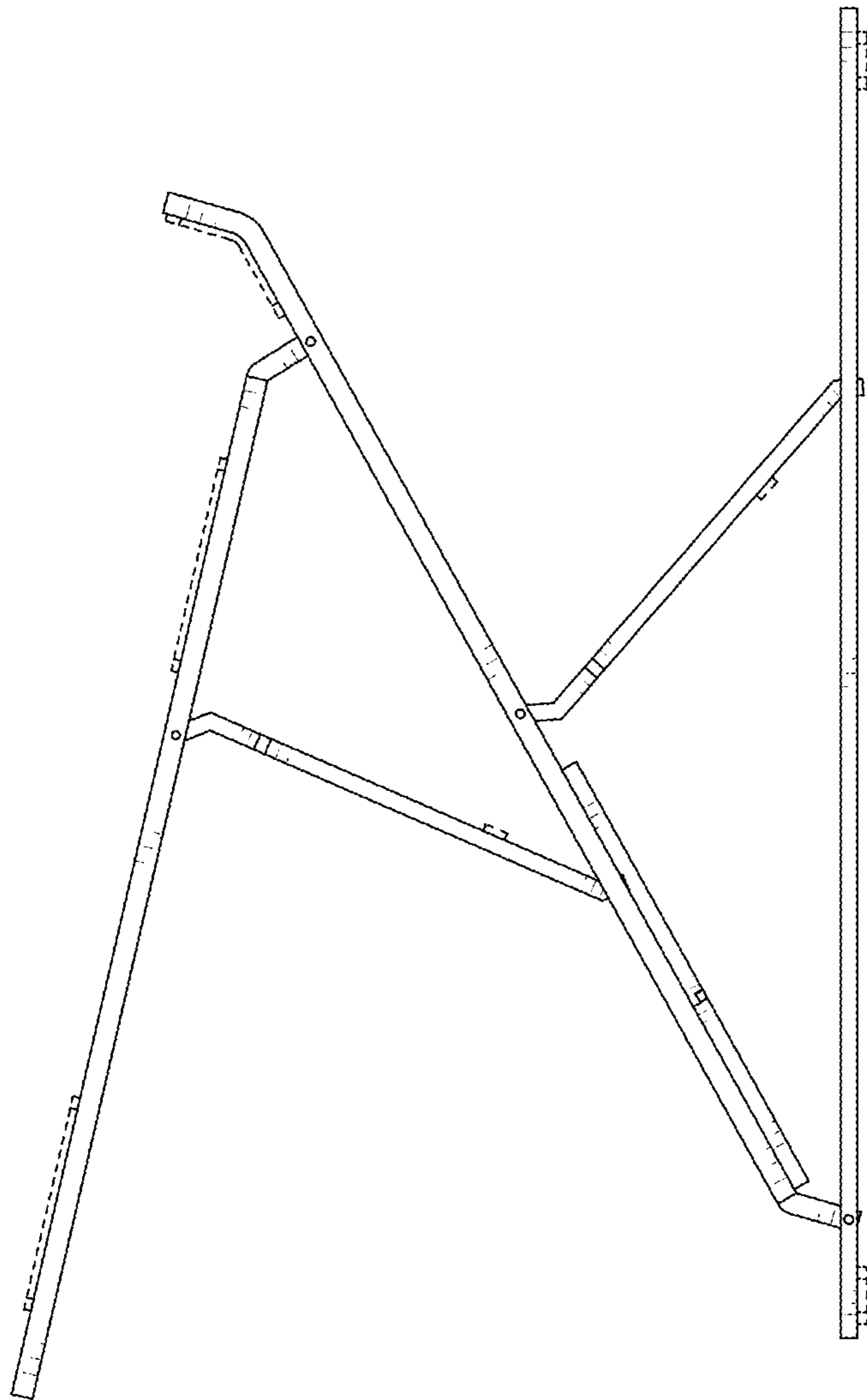


FIG. 5

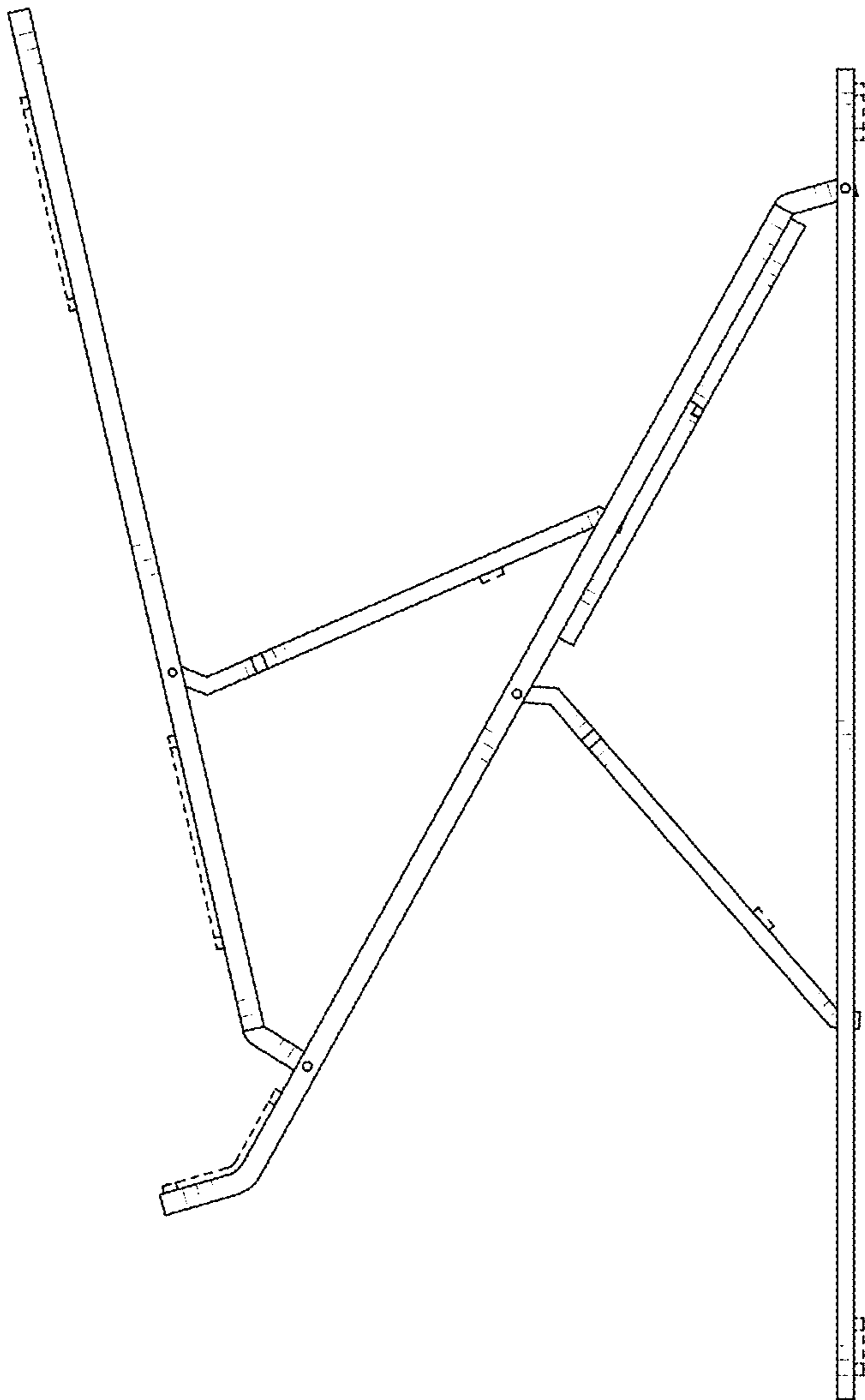


FIG. 6

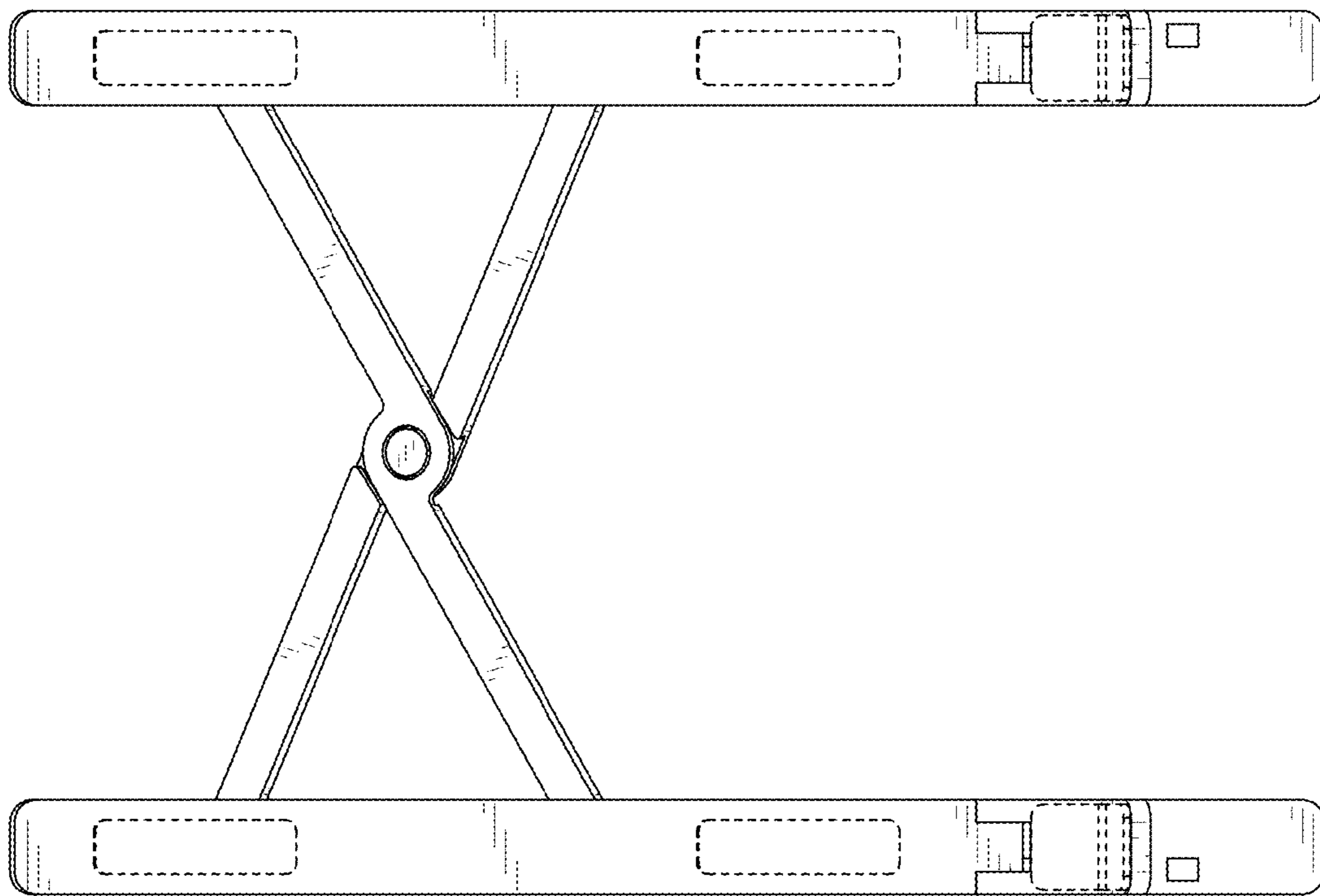


FIG. 7

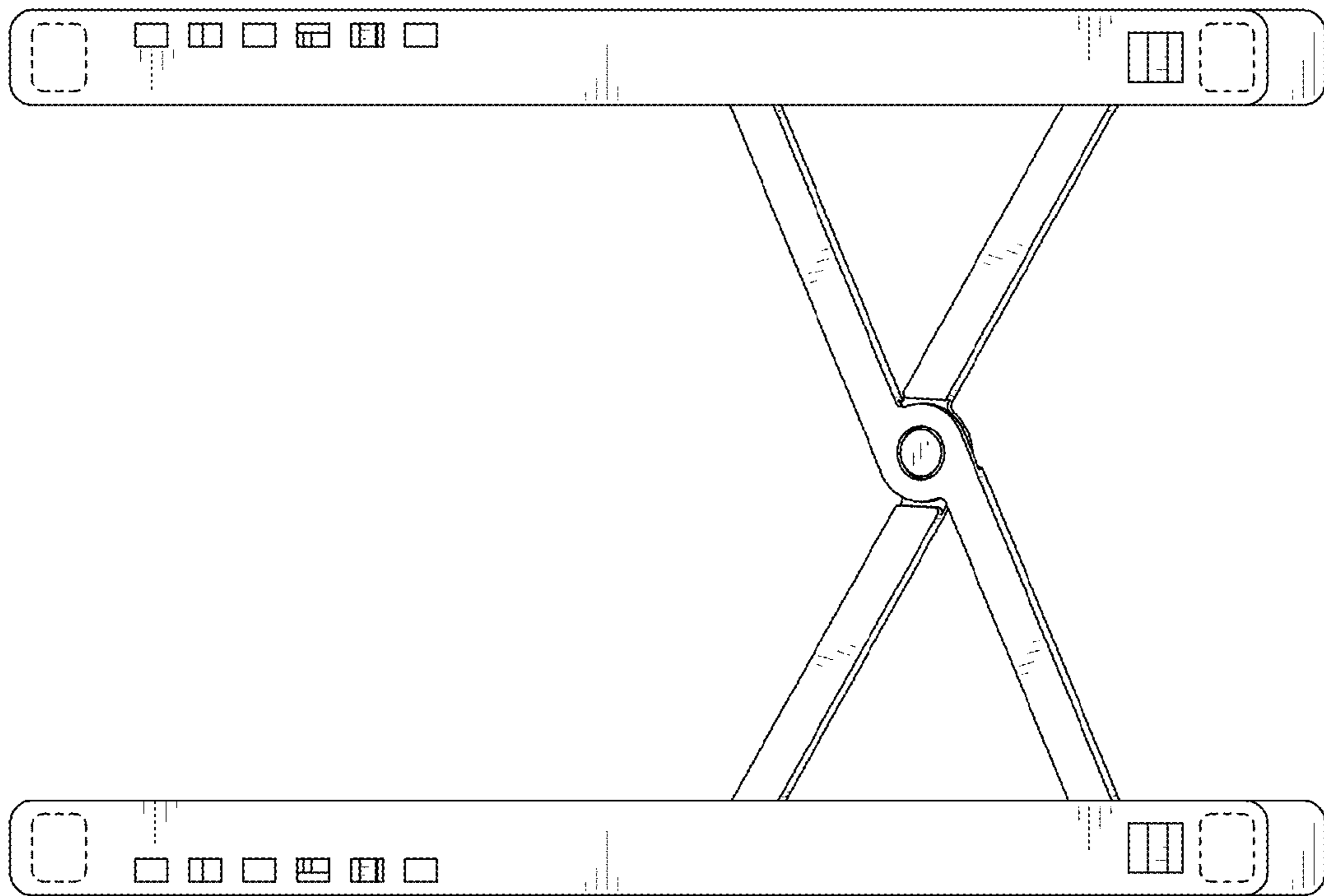


FIG. 8

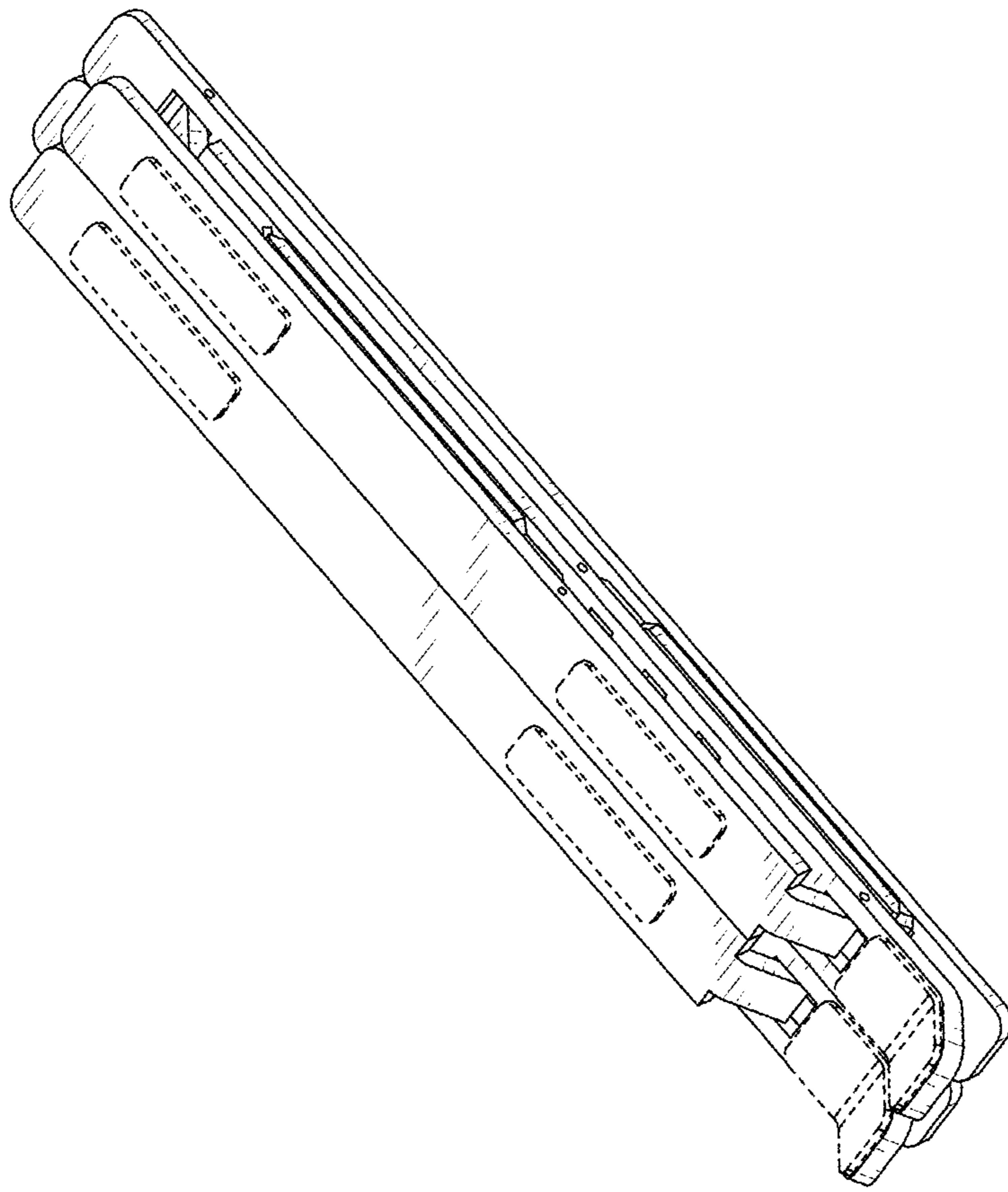


FIG. 9