



US00D898747S

(12) **United States Design Patent**  
**Deng**

(10) **Patent No.:** **US D898,747 S**

(45) **Date of Patent:** **\*\* Oct. 13, 2020**

(54) **PROTECTIVE CASE FOR TABLET PC**

(71) Applicant: **Shenzhen Chuangweilai Trading Co., LTD.**, Shenzhen, Guangdong (CN)

(72) Inventor: **Jiandi Deng**, Guangdong (CN)

(\*\*) Term: **15 Years**

(21) Appl. No.: **29/726,520**

(22) Filed: **Mar. 3, 2020**

(51) **LOC (12) Cl.** ..... **14-02**

(52) **U.S. Cl.**  
USPC ..... **D14/440**

(58) **Field of Classification Search**  
USPC ..... D14/440, 447, 250; 206/45.23, 320,  
206/45.2; 361/679.55; 294/25; 224/218  
CPC ... G06F 1/1628; G06F 1/1626; A47B 23/044;  
H04B 1/3888  
See application file for complete search history.

(56) **References Cited**

**U.S. PATENT DOCUMENTS**

D689,056 S *	9/2013	Li	.....	D14/440
D690,704 S *	10/2013	Padilla	.....	D14/440
D709,510 S	7/2014	Soare		
D727,917 S *	4/2015	Yeo	.....	D14/440
D733,154 S *	6/2015	Armstrong	.....	D14/440
D752,052 S *	3/2016	Park	.....	D14/440
D763,853 S *	8/2016	Pearce	.....	D14/440
D766,249 S *	9/2016	Veltz	.....	D14/440
D784,350 S *	4/2017	Li	.....	D14/440
D790,550 S *	6/2017	Chen	.....	D14/440
D803,221 S *	11/2017	Guo	.....	D14/440
D806,080 S *	12/2017	Chen	.....	D14/440
D807,366 S *	1/2018	Chen	.....	D14/440
D807,369 S *	1/2018	Chen	.....	D14/440

D808,973 S *	1/2018	Chen	.....	D14/440
D811,412 S *	2/2018	McCurdy	.....	D14/440
D812,620 S *	3/2018	Cheng	.....	D14/440
D821,405 S *	6/2018	Chen	.....	D14/440
D852,200 S *	6/2019	Chan	.....	D14/440
D854,022 S *	7/2019	Chen	.....	D14/440
D860,212 S *	9/2019	Ahn	.....	D14/440
D862,442 S *	10/2019	Wei	.....	D14/250
D862,478 S *	10/2019	Ahn	.....	D14/440
D862,479 S *	10/2019	Ahn	.....	D14/440
D862,480 S *	10/2019	Chan	.....	D14/440
D884,709 S *	5/2020	Cheng	.....	D14/440
2012/0075799 A1 *	3/2012	Pollex	.....	F16M 11/041 361/679.56
2017/0045920 A1 *	2/2017	Armstrong	.....	G06F 1/1669

\* cited by examiner

*Primary Examiner* — Cynthia R Underwood

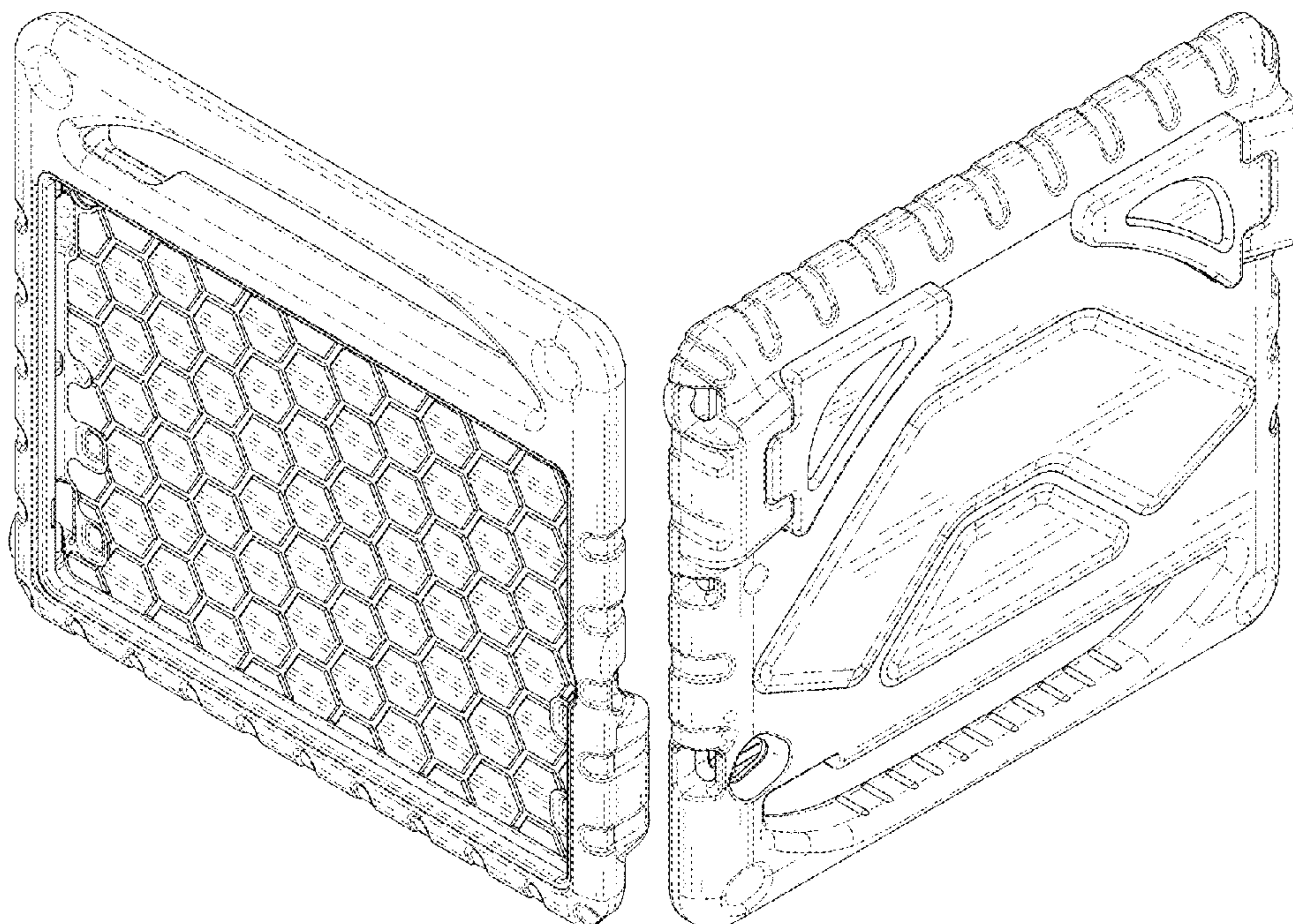
(57) **CLAIM**

The ornamental design for a protective case for tablet PC, as shown and described.

**DESCRIPTION**

FIG. 1 is a front perspective view of a protective case for tablet PC, showing my new design;  
FIG. 2 is a rear perspective view thereof;  
FIG. 3 is a front elevational view thereof;  
FIG. 4 is a rear elevational view thereof;  
FIG. 5 is a left side elevational view thereof;  
FIG. 6 is a right side elevational view thereof;  
FIG. 7 is a top plan view thereof; and,  
FIG. 8 is a bottom plan view thereof.  
The broken lines in the figures illustrate portions of the protective case for tablet PC that form no part of the claimed design.

**1 Claim, 8 Drawing Sheets**





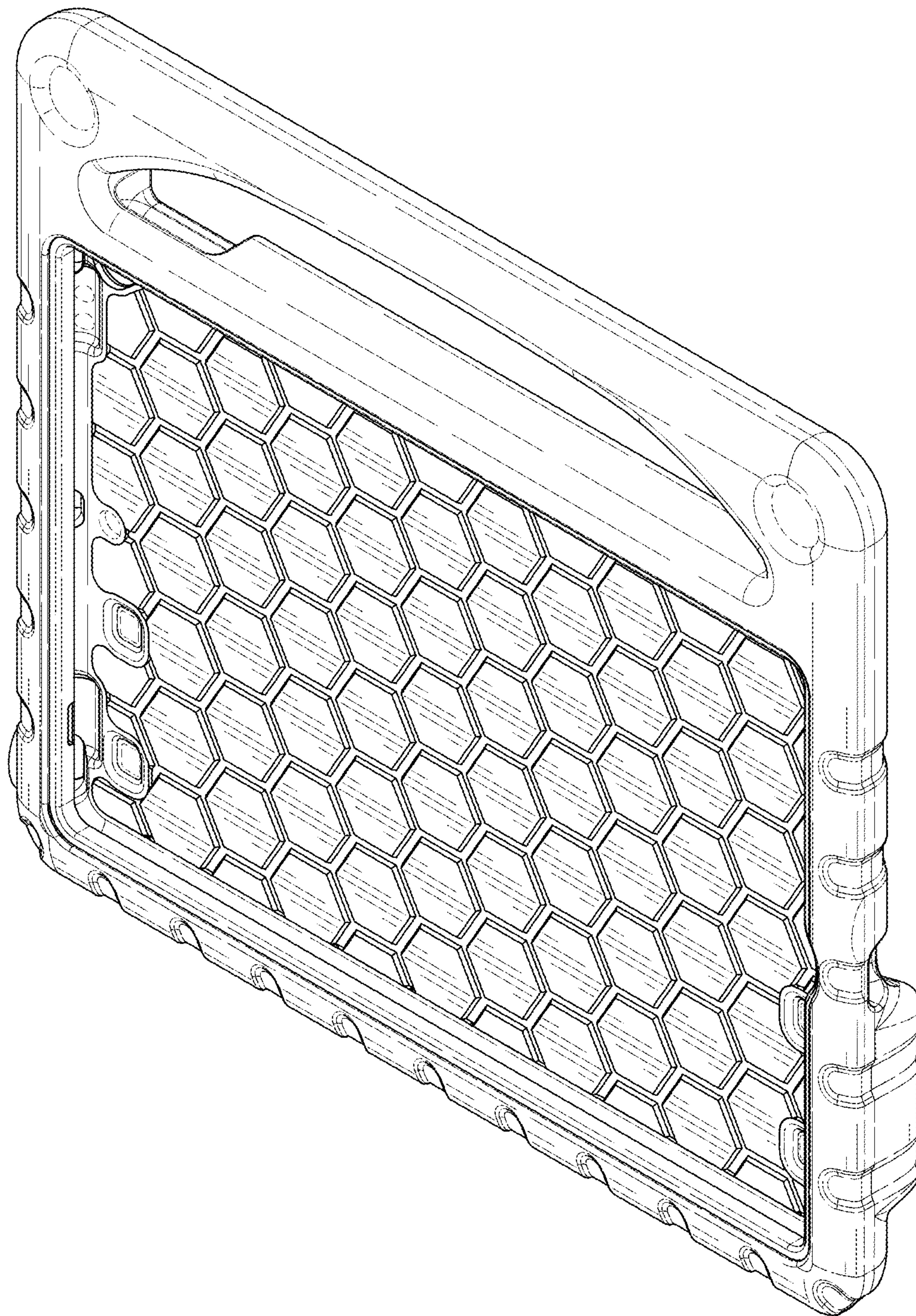


FIG. 1

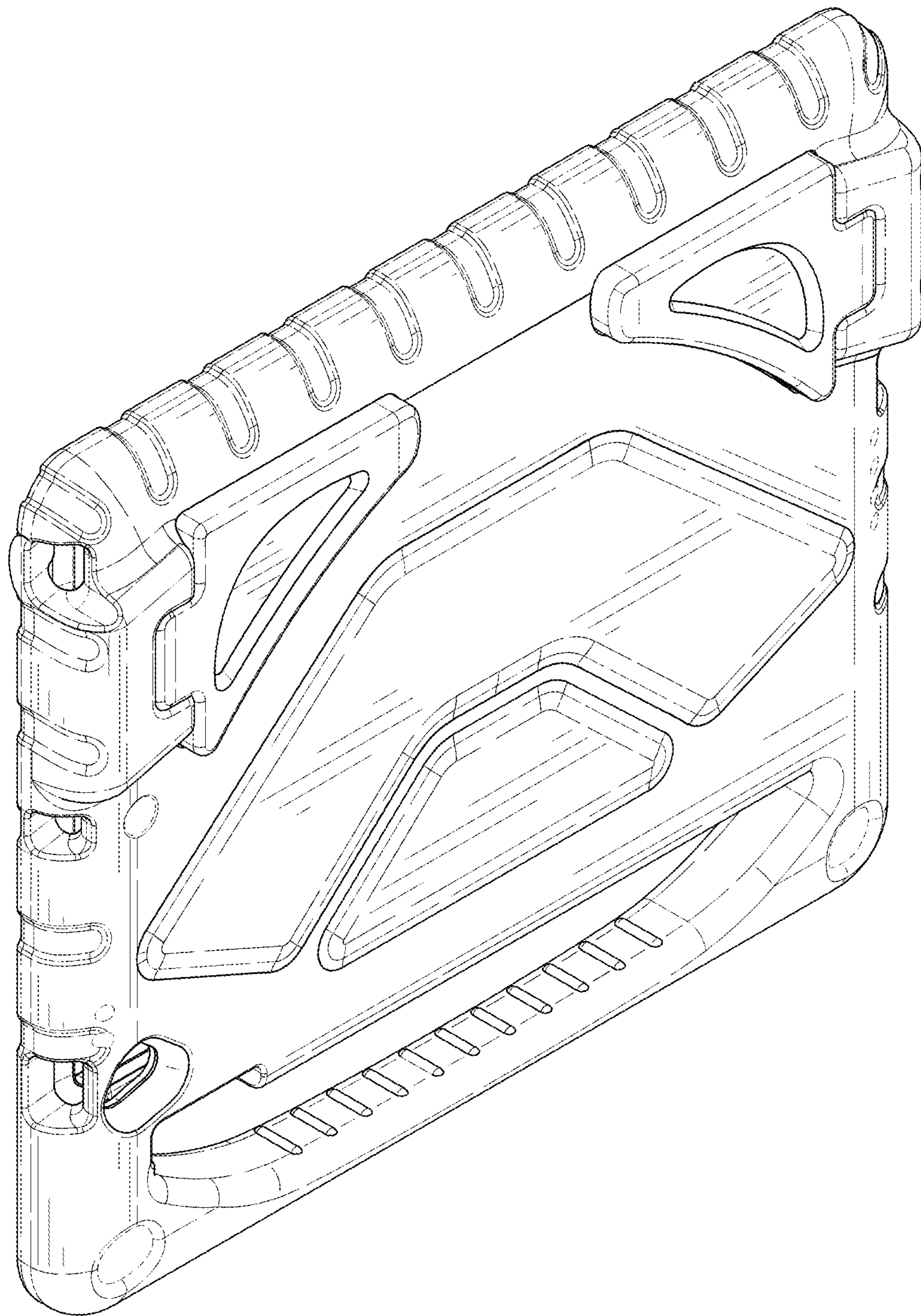


FIG. 2



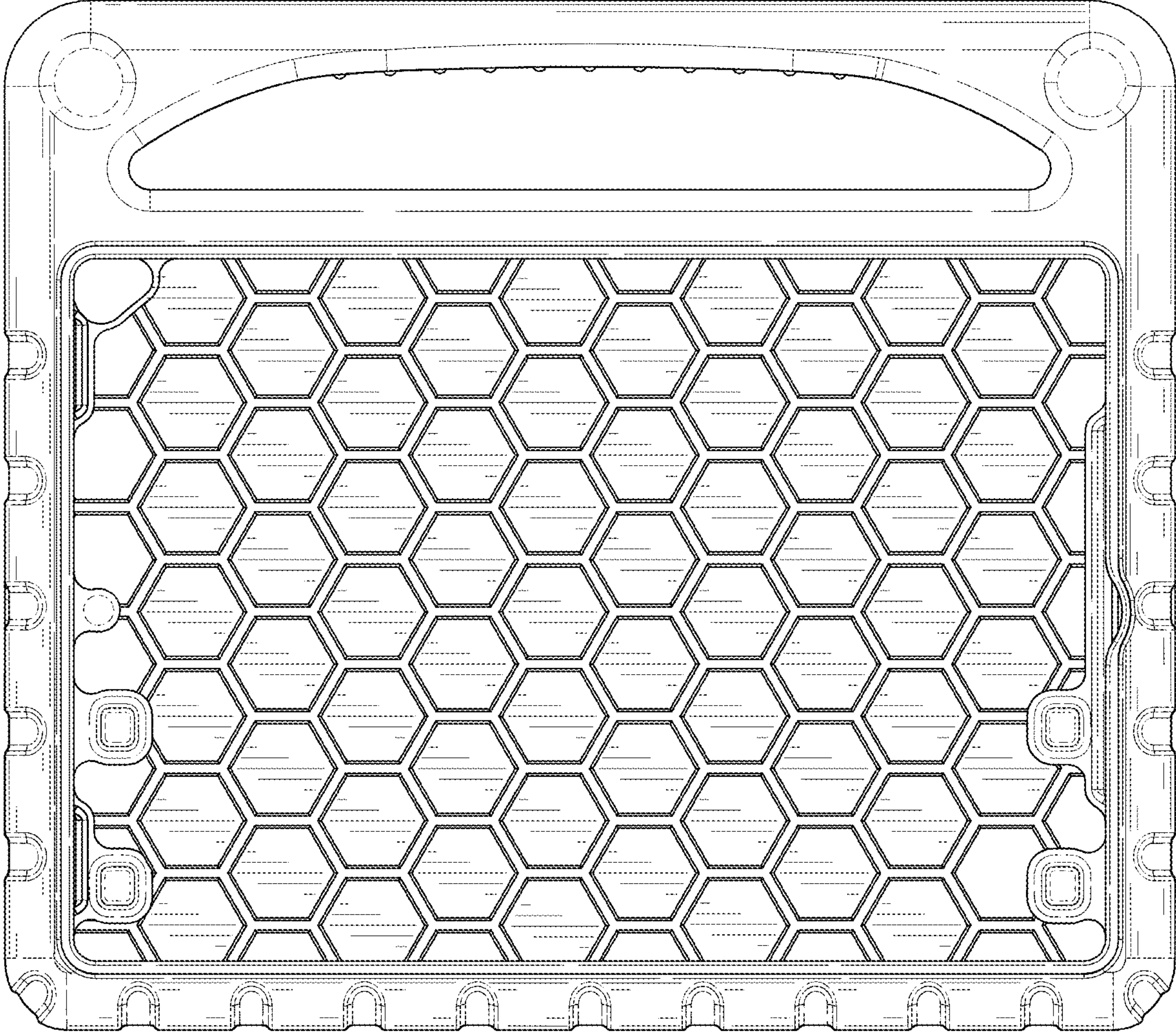


FIG. 3

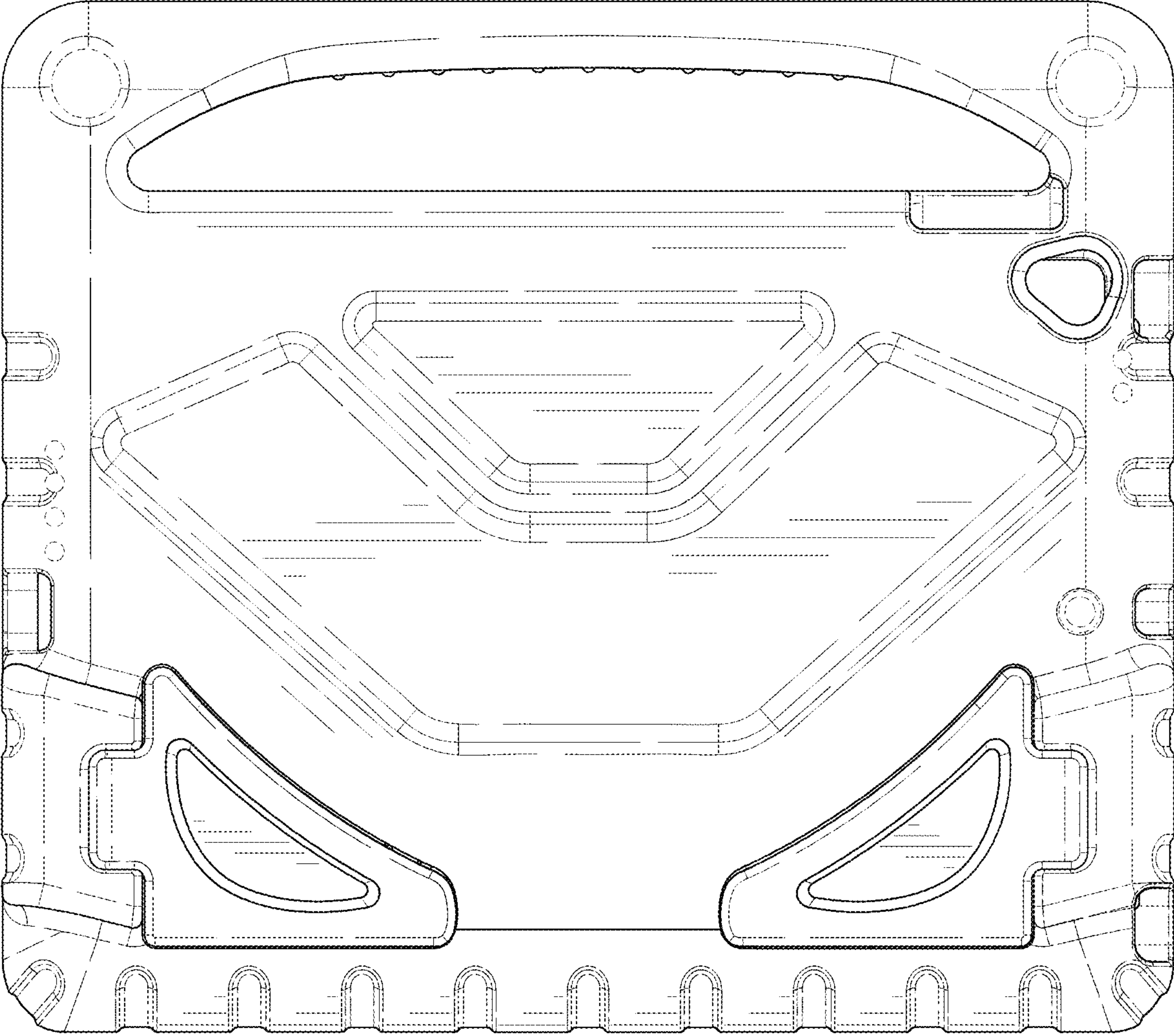


FIG. 4

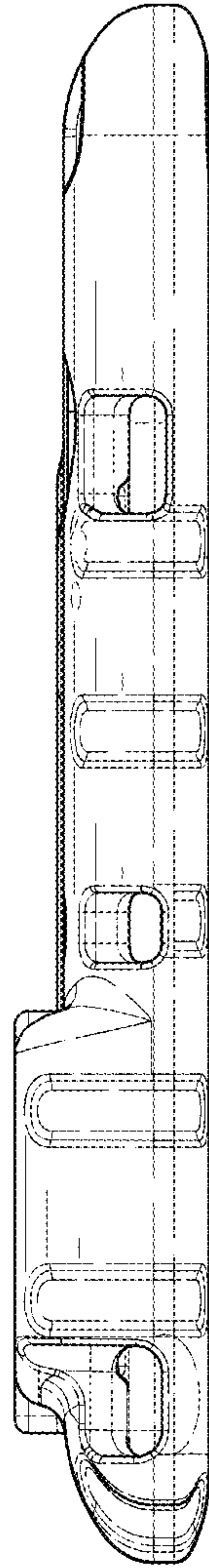


FIG. 5

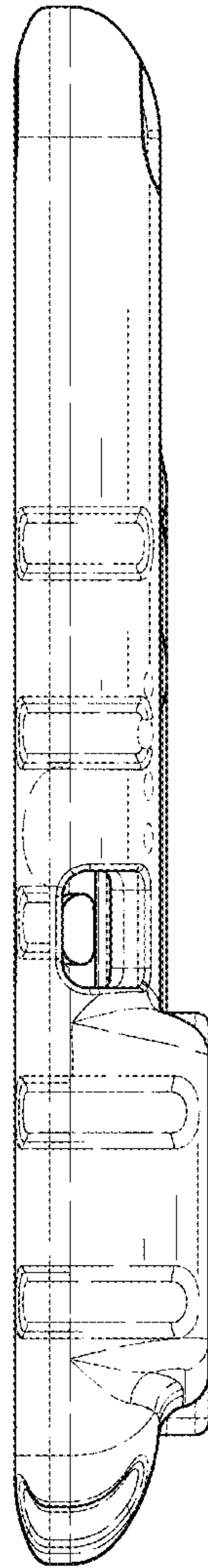


FIG. 6

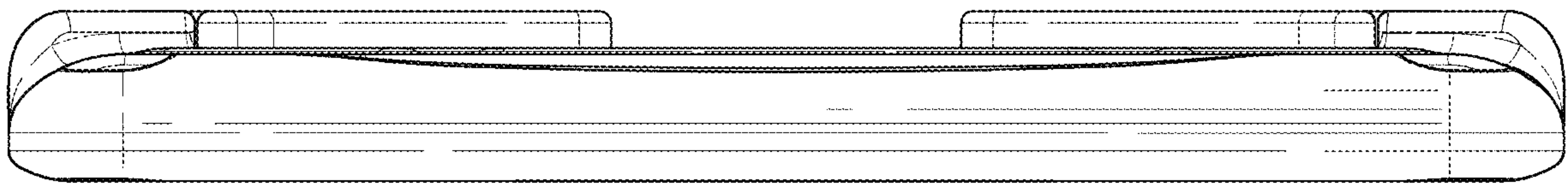


FIG. 7



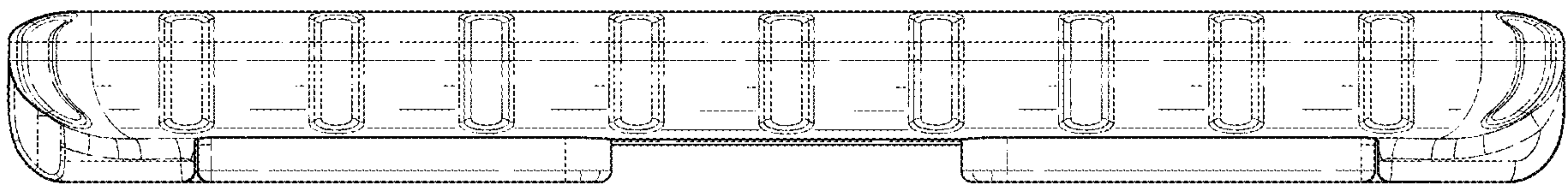


FIG. 8