



US00D898745S

(12) **United States Design Patent** (10) **Patent No.:** **US D898,745 S**
Ye (45) **Date of Patent:** **** Oct. 13, 2020**

(54) **PROTECTIVE CASE FOR SMARTWATCH**

(71) Applicant: **Hongyong Ye, Jiangxi (CN)**

(72) Inventor: **Hongyong Ye, Jiangxi (CN)**

(**) Term: **15 Years**

(21) Appl. No.: **29/667,510**

(22) Filed: **Oct. 23, 2018**

(51) **LOC (12) Cl.** **14-02**

(52) **U.S. Cl.**
USPC **D14/440**

(58) **Field of Classification Search**
USPC .. D10/30-41, 65, 70, 97-98, 128, 131-132;
D11/3, 5, 94; D14/344, 345, 440;
D24/167, 186
CPC G04B 19/18; G04B 19/23; G04B 19/283;
G04B 37/05; G04B 37/081-087; A44C
5/00; A44C 5/0053; A44C 5/14; A44C
5/147; A44C 5/22; A44C 5/24; A45C
11/10; A45C 11/12; A45C 13/002; A45C
2011/001-003

See application file for complete search history.

(56) **References Cited**

U.S. PATENT DOCUMENTS

7,594,576 B2 * 9/2009 Chen G06F 1/1628
206/305
D703,210 S * 4/2014 Gelsomini D14/440
D766,904 S * 9/2016 Jung D14/440
D766,906 S * 9/2016 Kim D14/440
D767,573 S * 9/2016 Kim D14/440
D769,879 S * 10/2016 Kim D14/440

D771,504 S * 11/2016 Lai D10/30
D780,740 S * 3/2017 Kim D14/250
D799,344 S * 10/2017 Wright D10/30
D853,878 S * 7/2019 Wright D10/128
D877,153 S * 3/2020 Peng D14/440
D885,230 S * 5/2020 Kim D10/132

OTHER PUBLICATIONS

Mapuce Compatilble with Apple Watch Case | posted at amazon.com Oct. 26, 2018 [online]. © 1996-2020, Amazon.com, Inc [retrieved Jun. 2, 2020] from Internet: <<https://www.amazon.com/Mapuce-Compatible-Shock-Proof-Shatter-Resistant-Replacement/dp/B07JRFWQ8W>> (Year: 2018).*

* cited by examiner

Primary Examiner — Sandra S Snapp
Assistant Examiner — Katherine Glennon

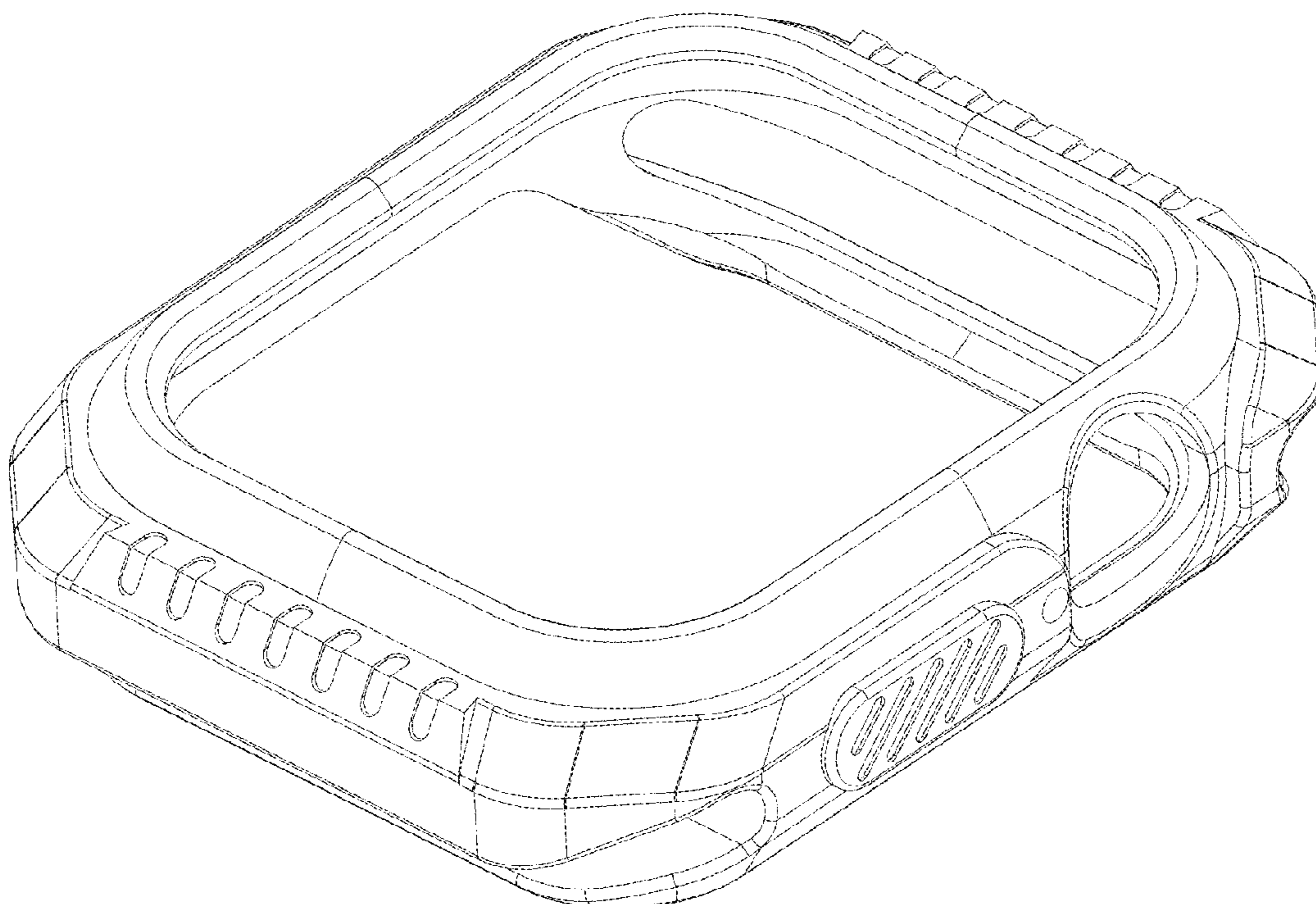
(57) **CLAIM**

The ornamental design for a protective case for smartwatch, as shown.

DESCRIPTION

FIG. 1 is a front elevational view of a protective case for smartwatch showing my new design;
FIG. 2 is a rear elevational view thereof;
FIG. 3 is a left side view thereof;
FIG. 4 is a right side view thereof;
FIG. 5 is a top plan view thereof;
FIG. 6 is a bottom plan view thereof;
FIG. 7 is a perspective view thereof; and,
FIG. 8 is another perspective view thereof.

1 Claim, 7 Drawing Sheets



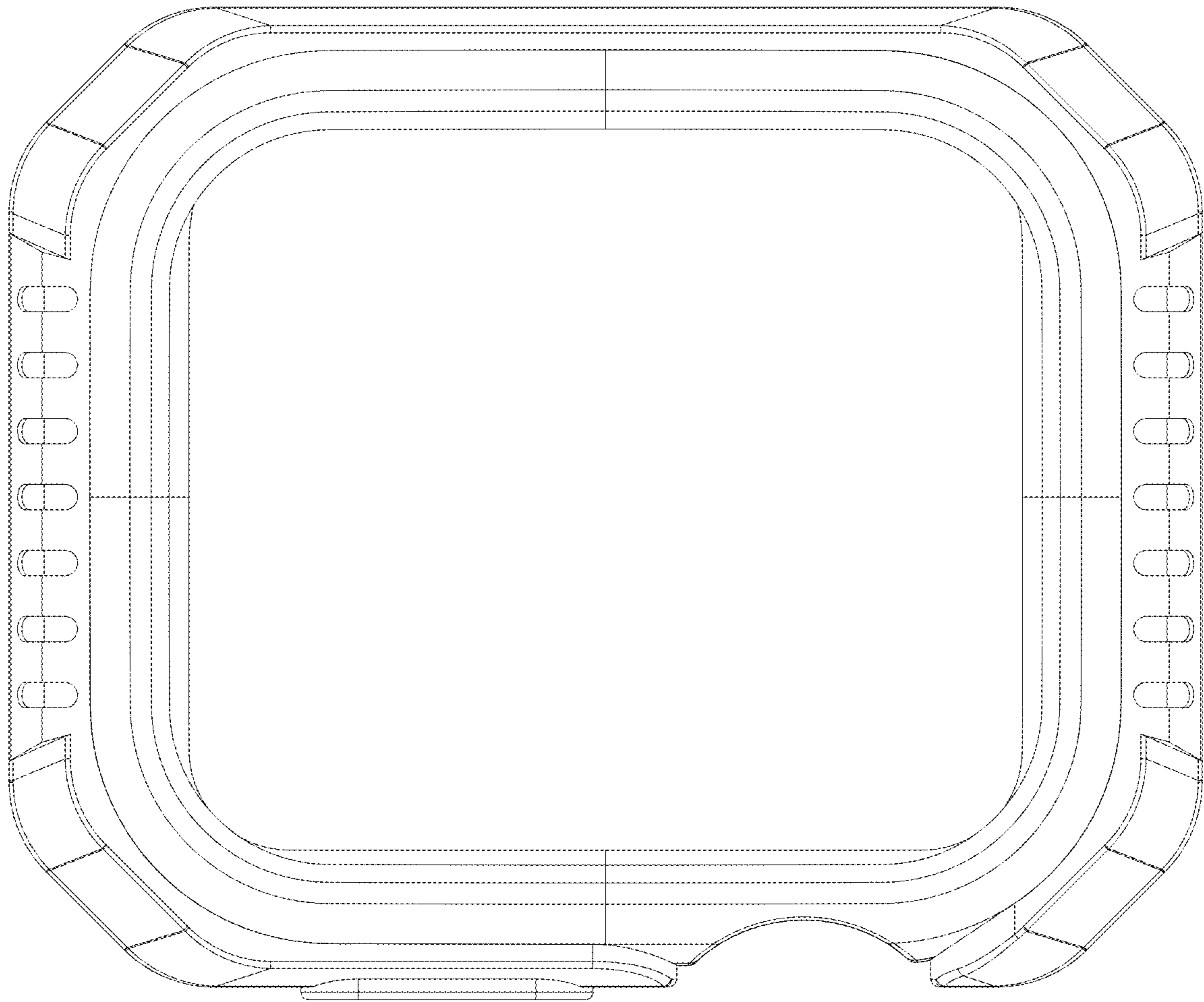


Fig. 1

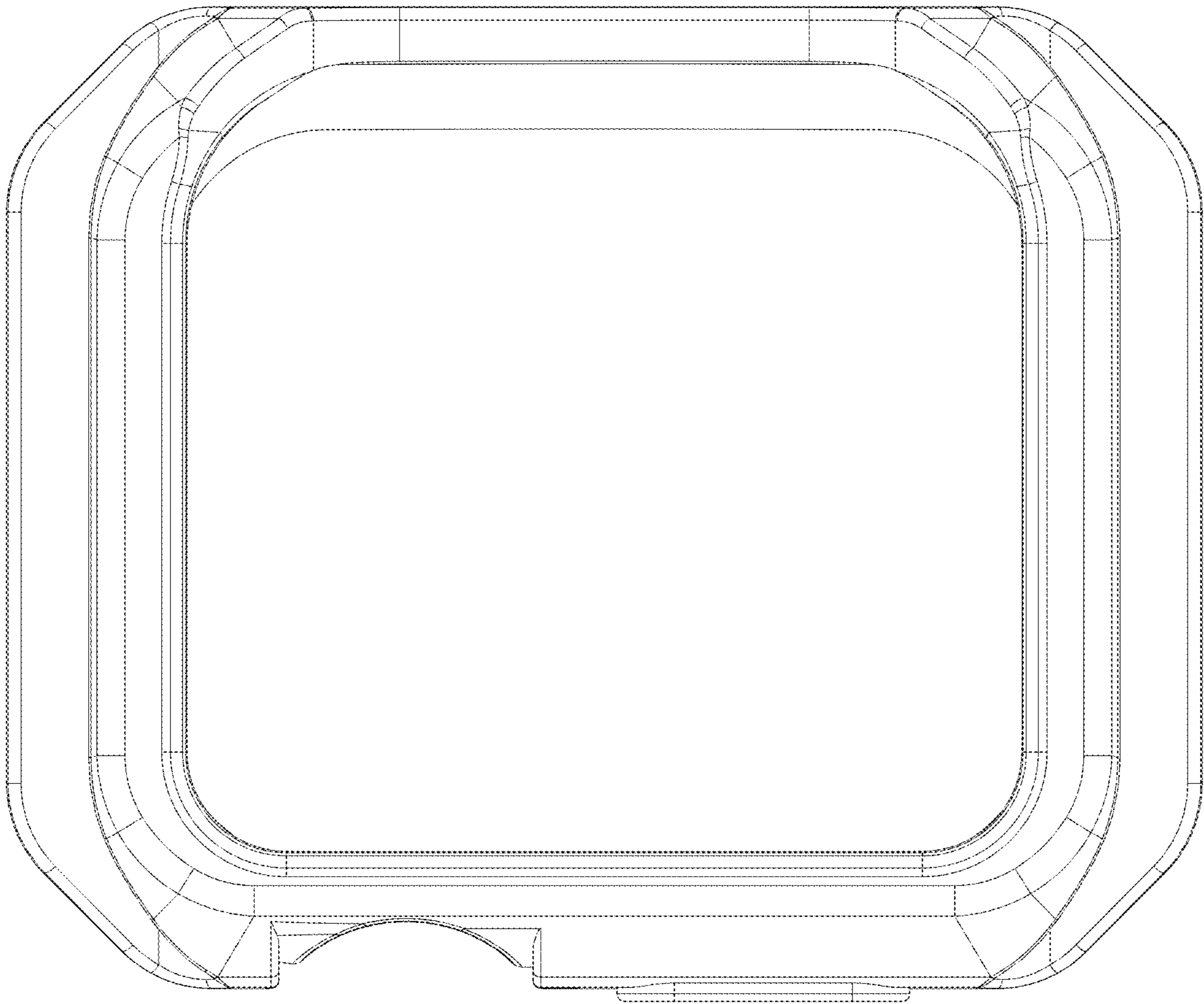


Fig. 2

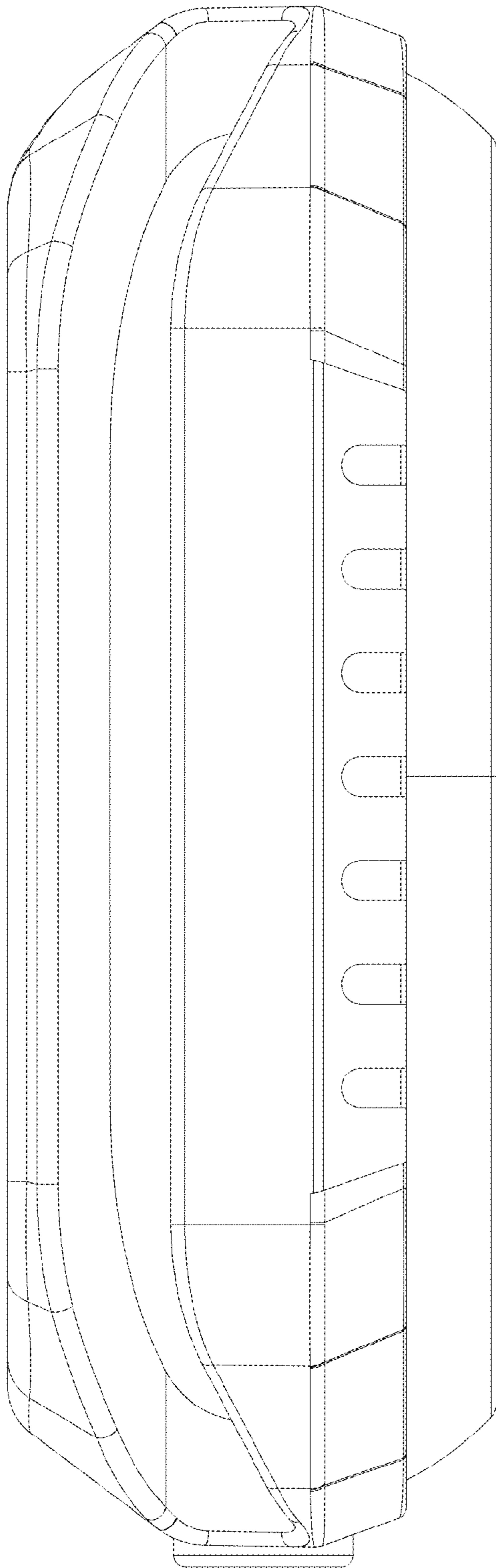


Fig. 3

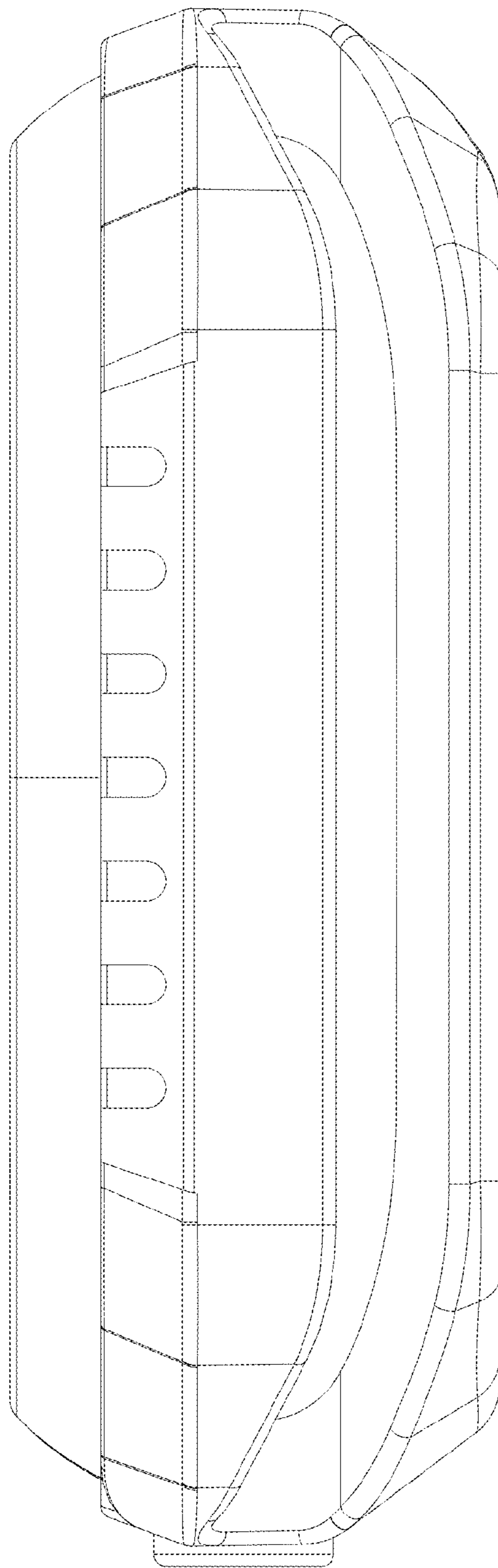


Fig. 4

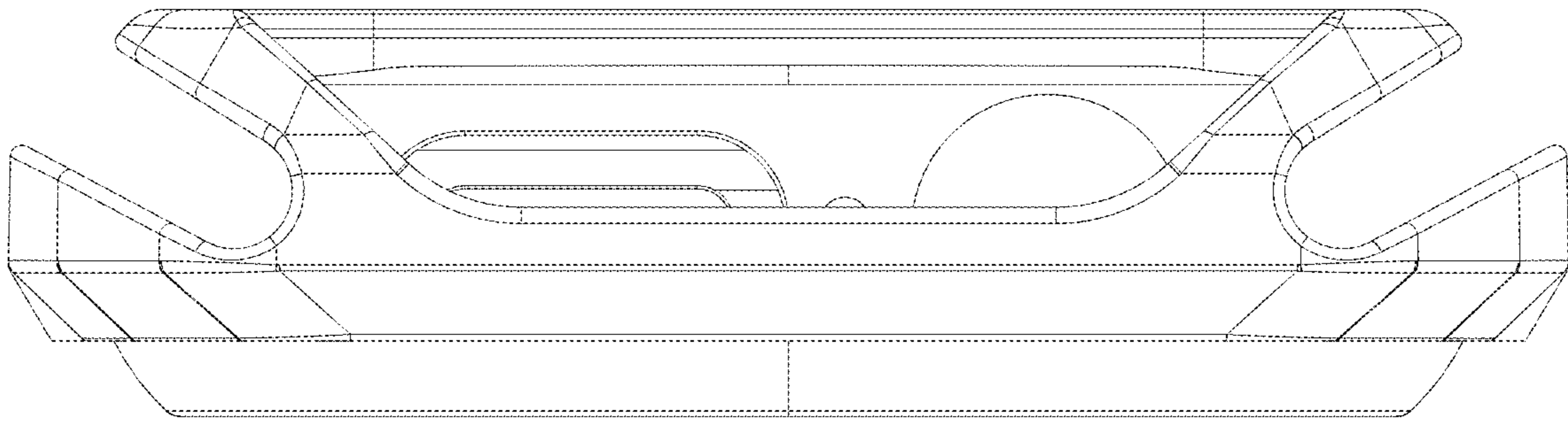


Fig. 5

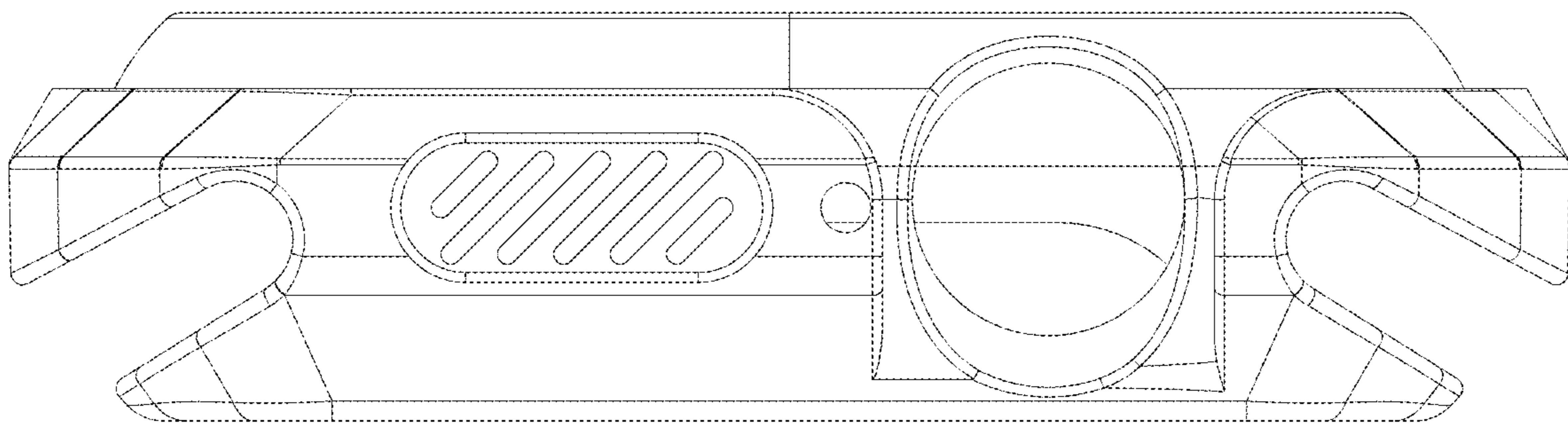


Fig. 6

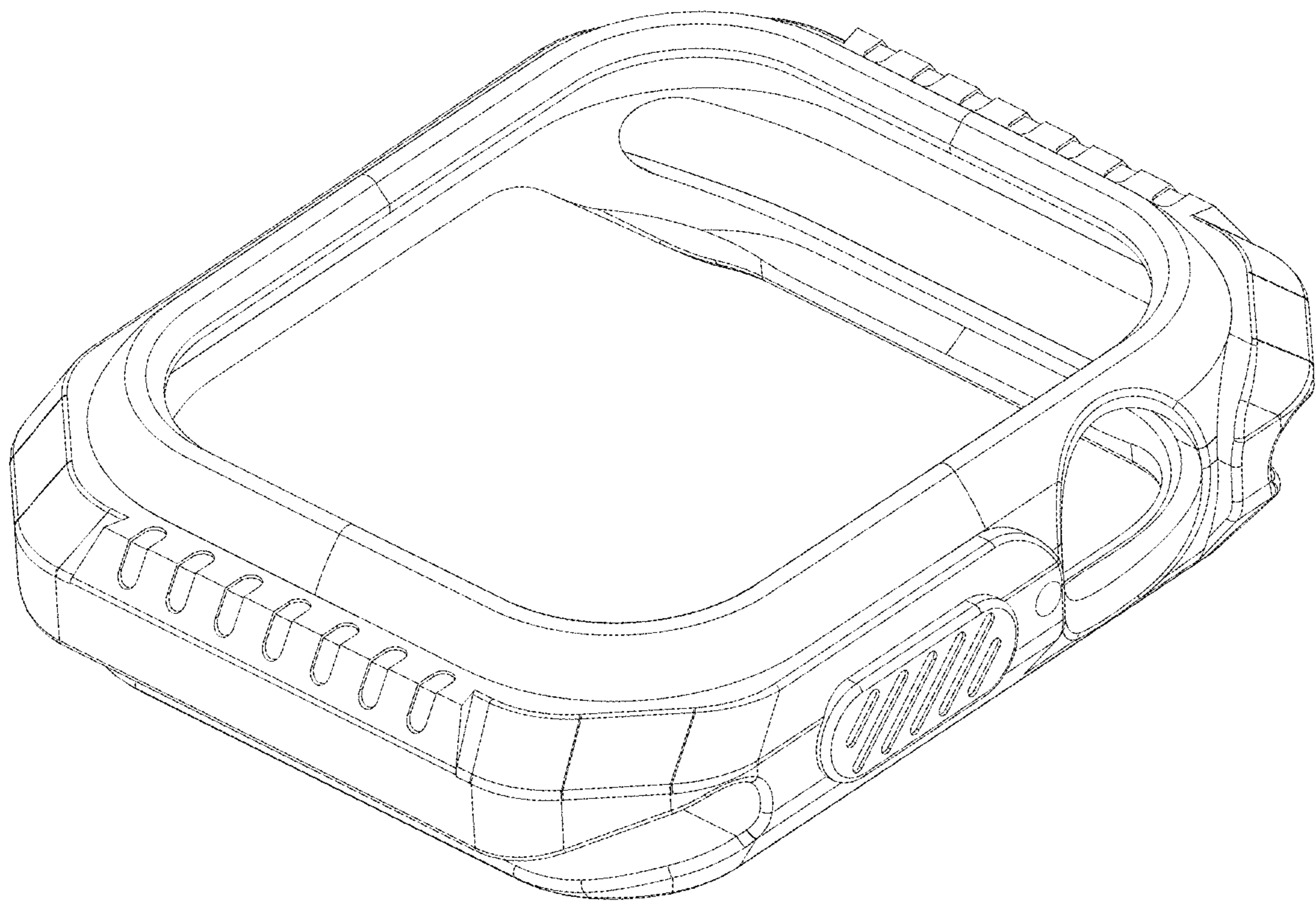


Fig. 7

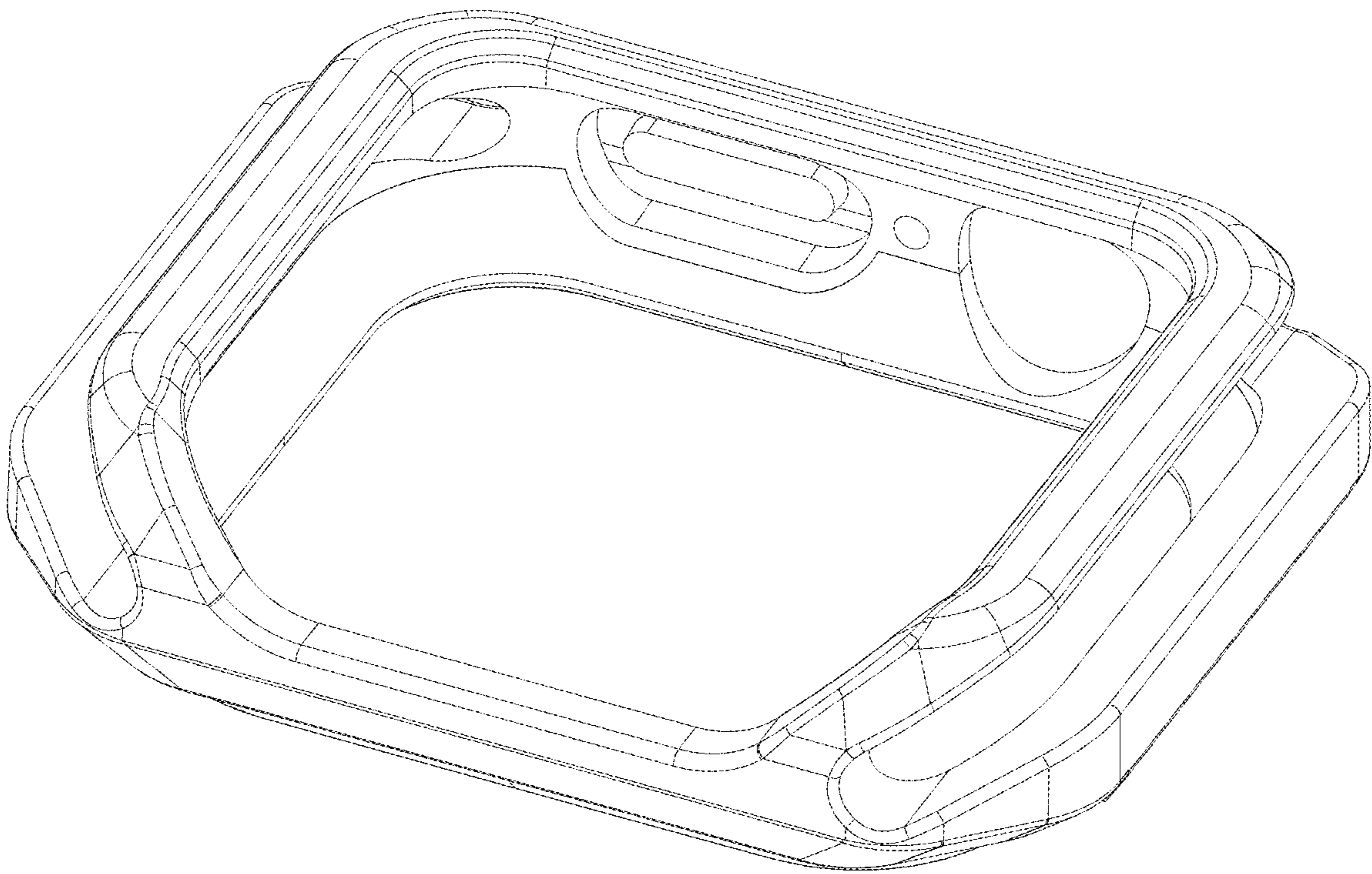


Fig. 8