



US00D898744S

(12) **United States Design Patent**
Lu

(10) **Patent No.:** **US D898,744 S**
(45) **Date of Patent:** **** Oct. 13, 2020**

- (54) **HANDLE CONNECTOR**
- (71) Applicant: **Getac Technology Corporation**,
Hsinchu County (TW)
- (72) Inventor: **Wei-Sen Lu**, Taipei (TW)
- (73) Assignee: **GETAC TECHNOLOGY CORPORATION**, Hsinchu County
(TW)
- (**) Term: **15 Years**
- (21) Appl. No.: **29/655,599**
- (22) Filed: **Jul. 5, 2018**
- (51) **LOC (12) Cl.** **14-03**
- (52) **U.S. Cl.**
USPC **D14/439; D14/251**
- (58) **Field of Classification Search**
USPC D14/137, 147, 203, 217, 230, 238, 240,
D14/248, 251, 252, 253, 344, 345, 432,
D14/433, 439, 447, 451; D16/202, 206,
D16/208, 219; 294/25; 455/575.1,
455/575.3, 575.6
CPC H04B 1/3888; H04B 1/385; A45F 5/00;
A45F 5/004; A45F 5/021; H04M 1/04
See application file for complete search history.

- (56) **References Cited**
U.S. PATENT DOCUMENTS
D424,035 S * 5/2000 Steiner D14/344
D614,305 S * 4/2010 Al-Ali D24/187
D685,798 S * 7/2013 Weiss D14/439
D693,818 S * 11/2013 Webber D14/439

- D693,819 S * 11/2013 Cocquyt D14/439
- D719,515 S * 12/2014 Huang D13/147
- D727,906 S * 4/2015 Neumann D14/358
- D733,147 S * 6/2015 Stevens D14/439
- D765,662 S * 9/2016 Kang D14/251
- D801,791 S * 11/2017 DePietro D8/376
- D831,589 S * 10/2018 Penn H01R 13/639
D13/173
- D840,935 S * 2/2019 Cai D13/133
- D870,544 S * 12/2019 Lai D8/382

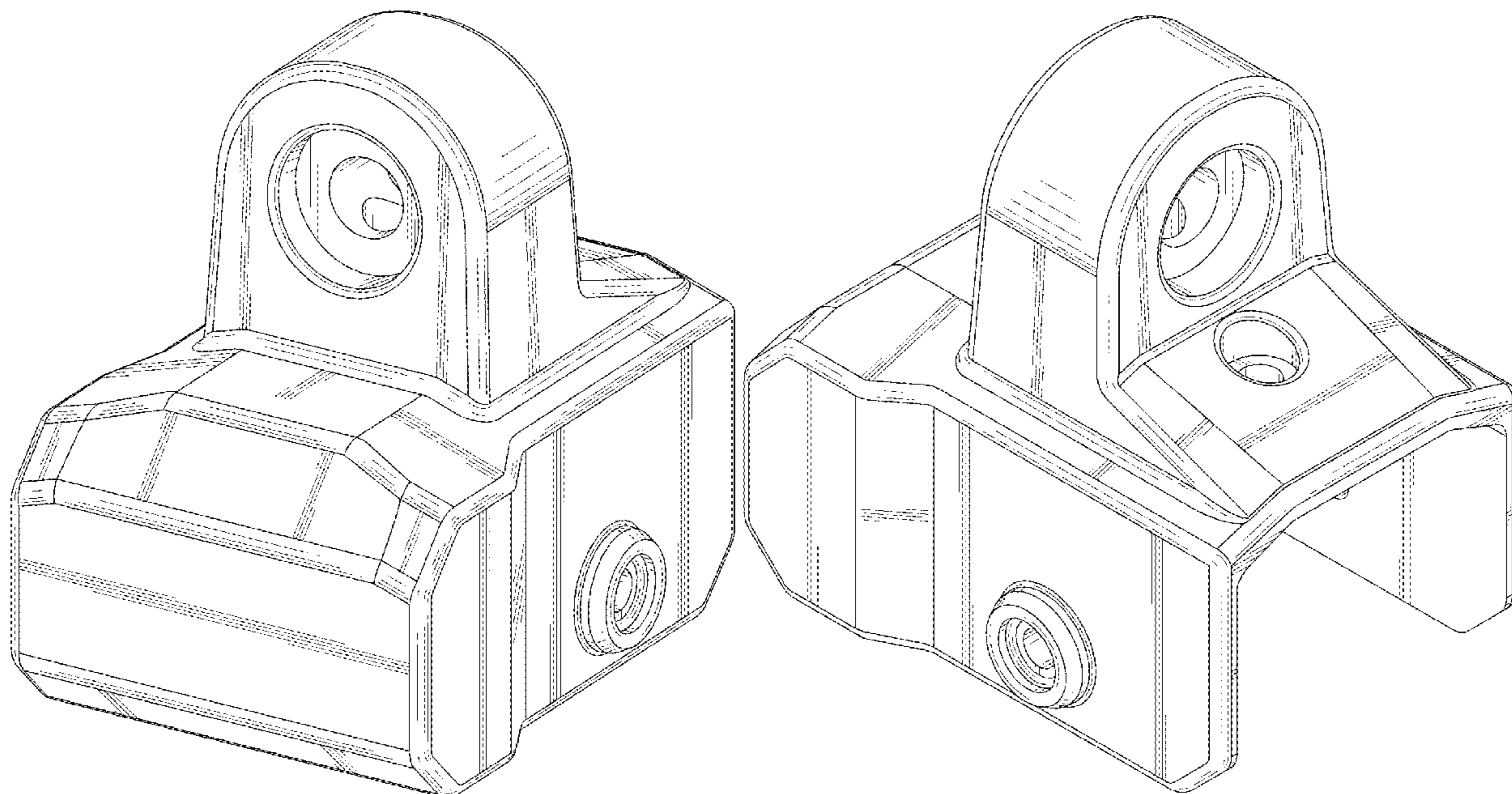
* cited by examiner

Primary Examiner — Austin Murphy
(74) *Attorney, Agent, or Firm* — Locke Lord LLP; Tim
Tingkang Xia, Esq.

(57) **CLAIM**
The ornamental design for a handle connector, as shown and
described.

DESCRIPTION
FIG. 1 is a top front right perspective view showing first
embodiment of my new design;
FIG. 2 is a top front left perspective view thereof;
FIG. 3 is a bottom rear left perspective view thereof;
FIG. 4 is a front view thereof;
FIG. 5 is a rear view thereof;
FIG. 6 is a left side view thereof;
FIG. 7 is a right side view thereof;
FIG. 8 is a top view thereof;
FIG. 9 is a bottom view thereof; and,
FIG. 10 is a front view thereof with a mobile computer.
The broken lines are directed to environment and are for
illustrative purposes only. The broken lines form no part of
the claimed design.

1 Claim, 10 Drawing Sheets



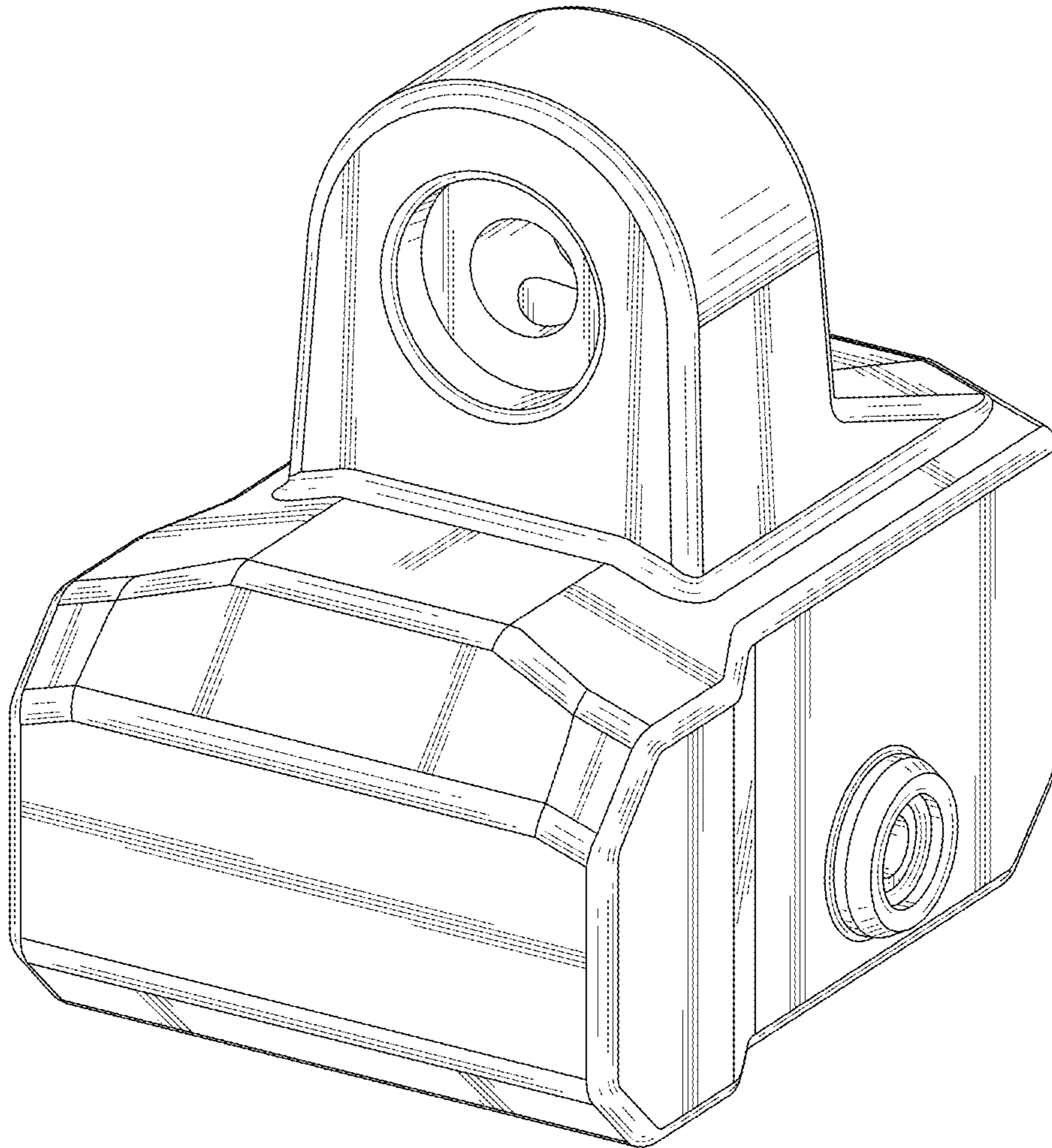


FIG. 1

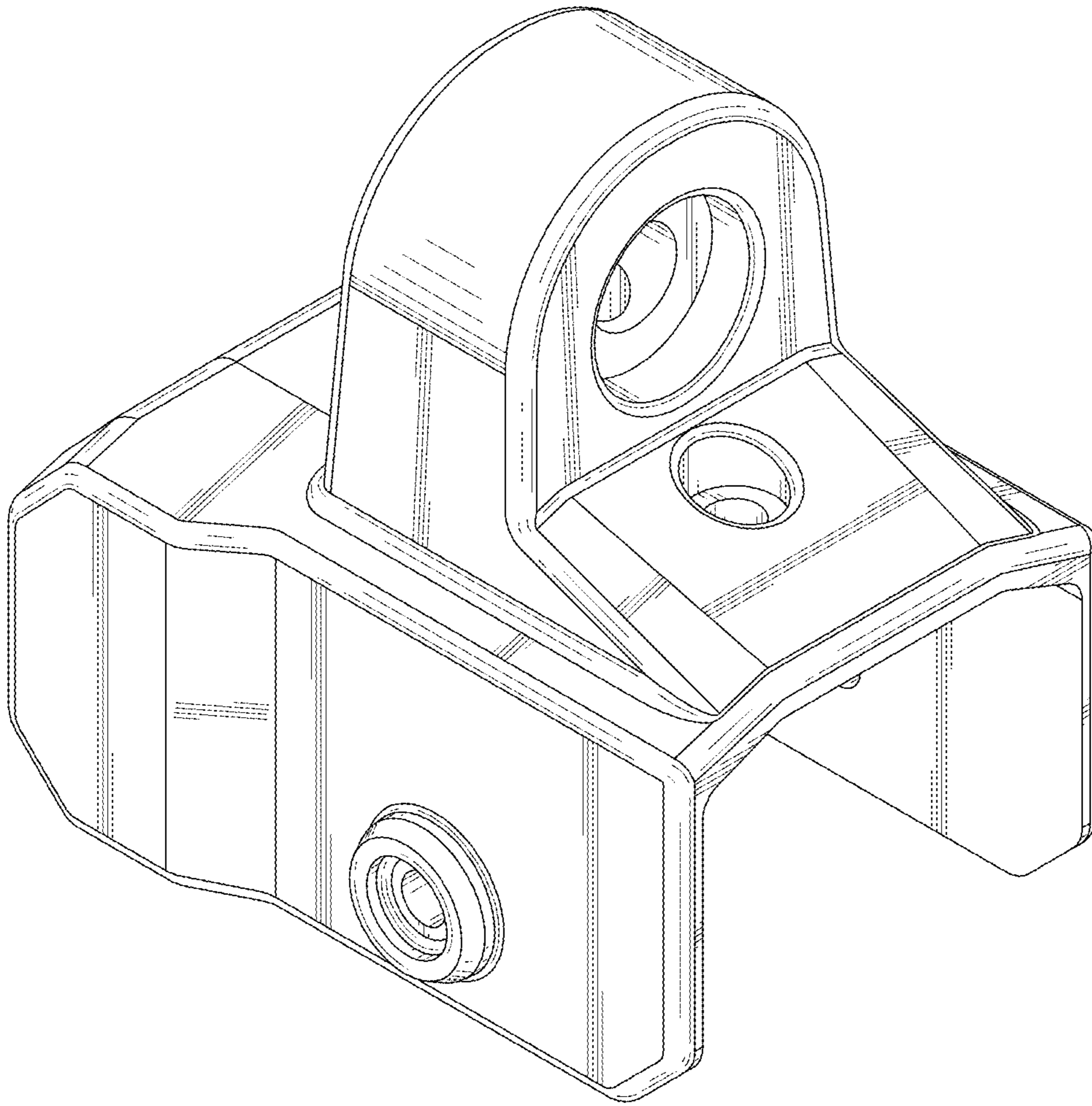


FIG. 2

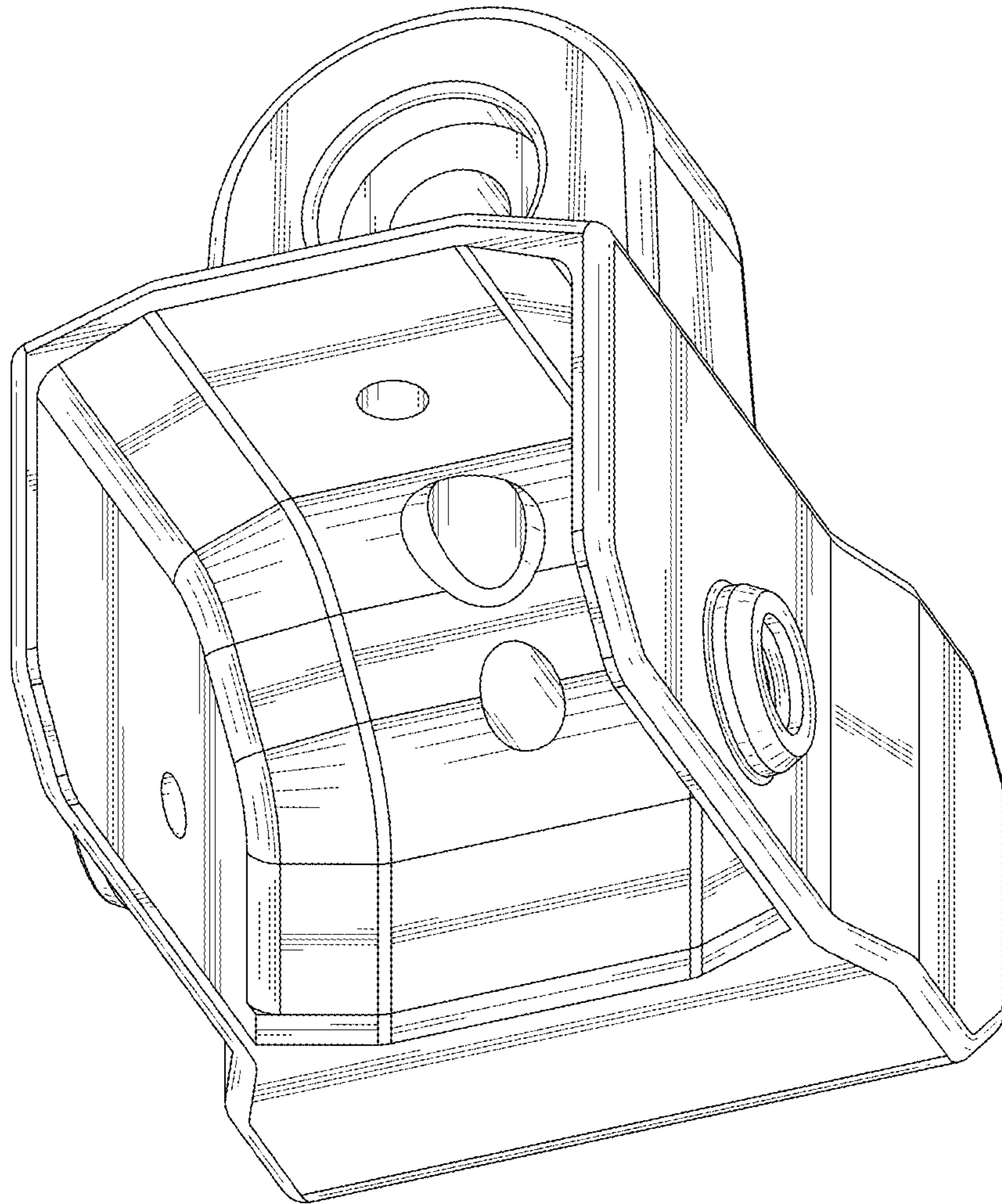


FIG. 3

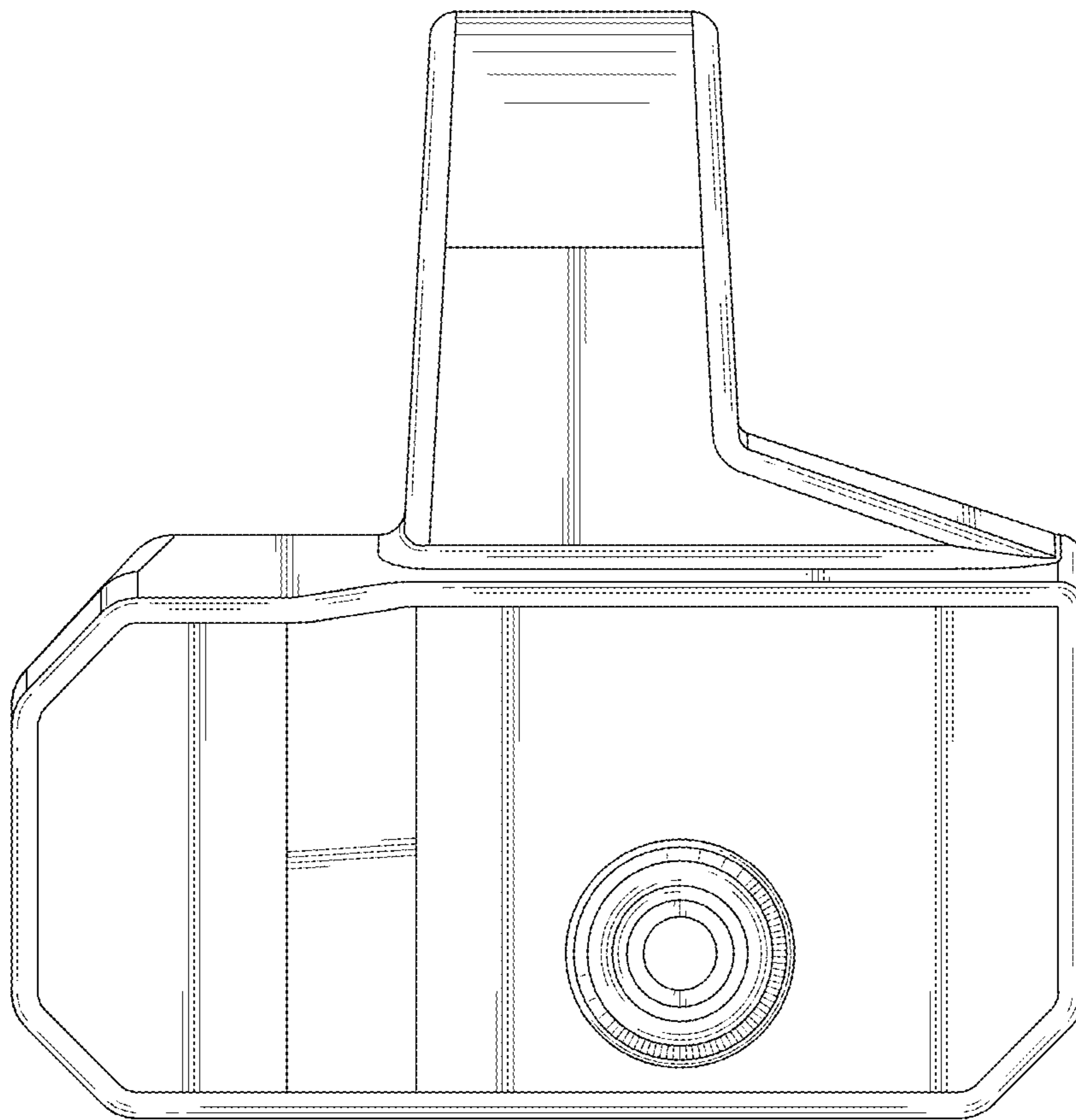


FIG. 4

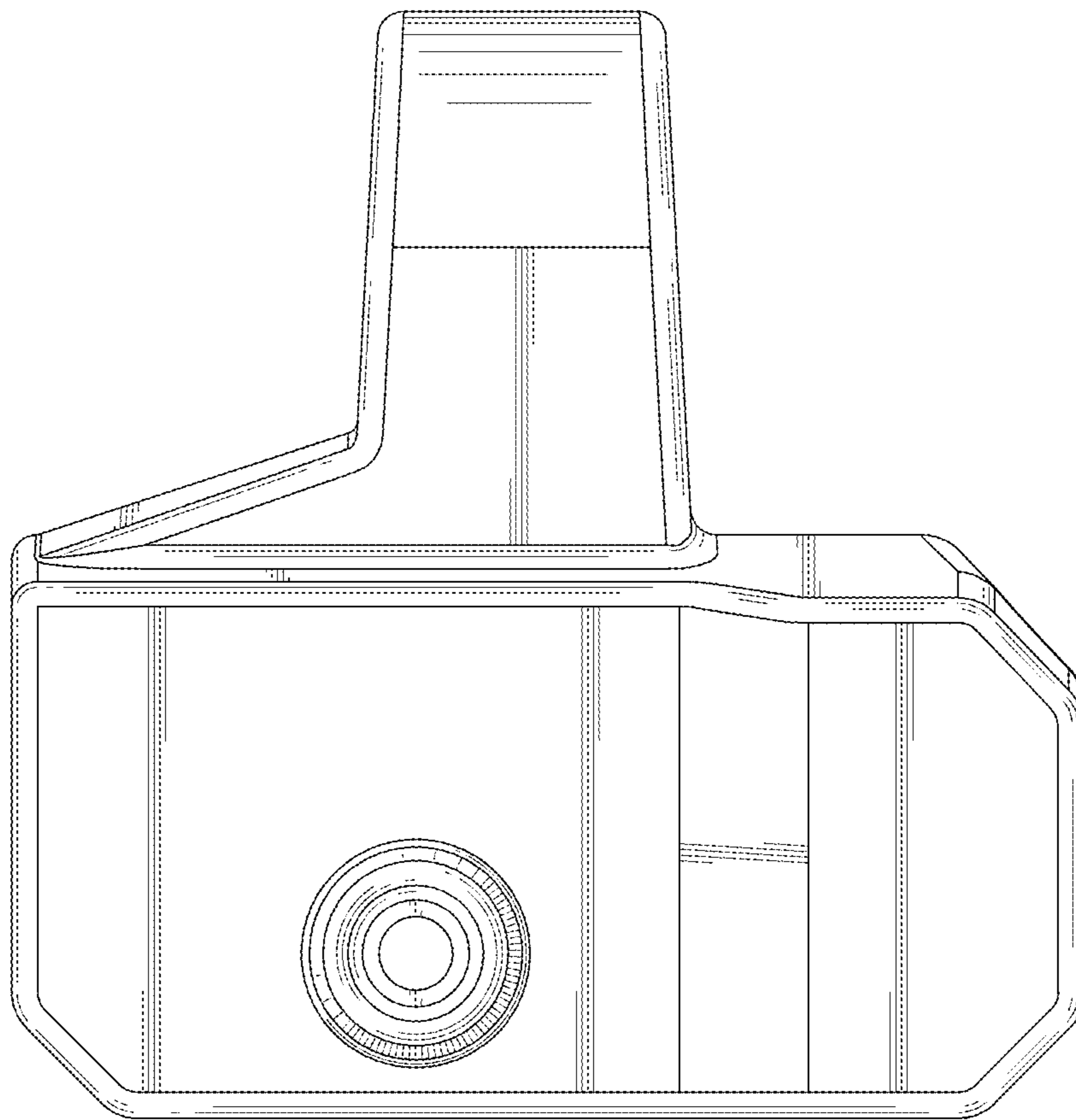


FIG. 5

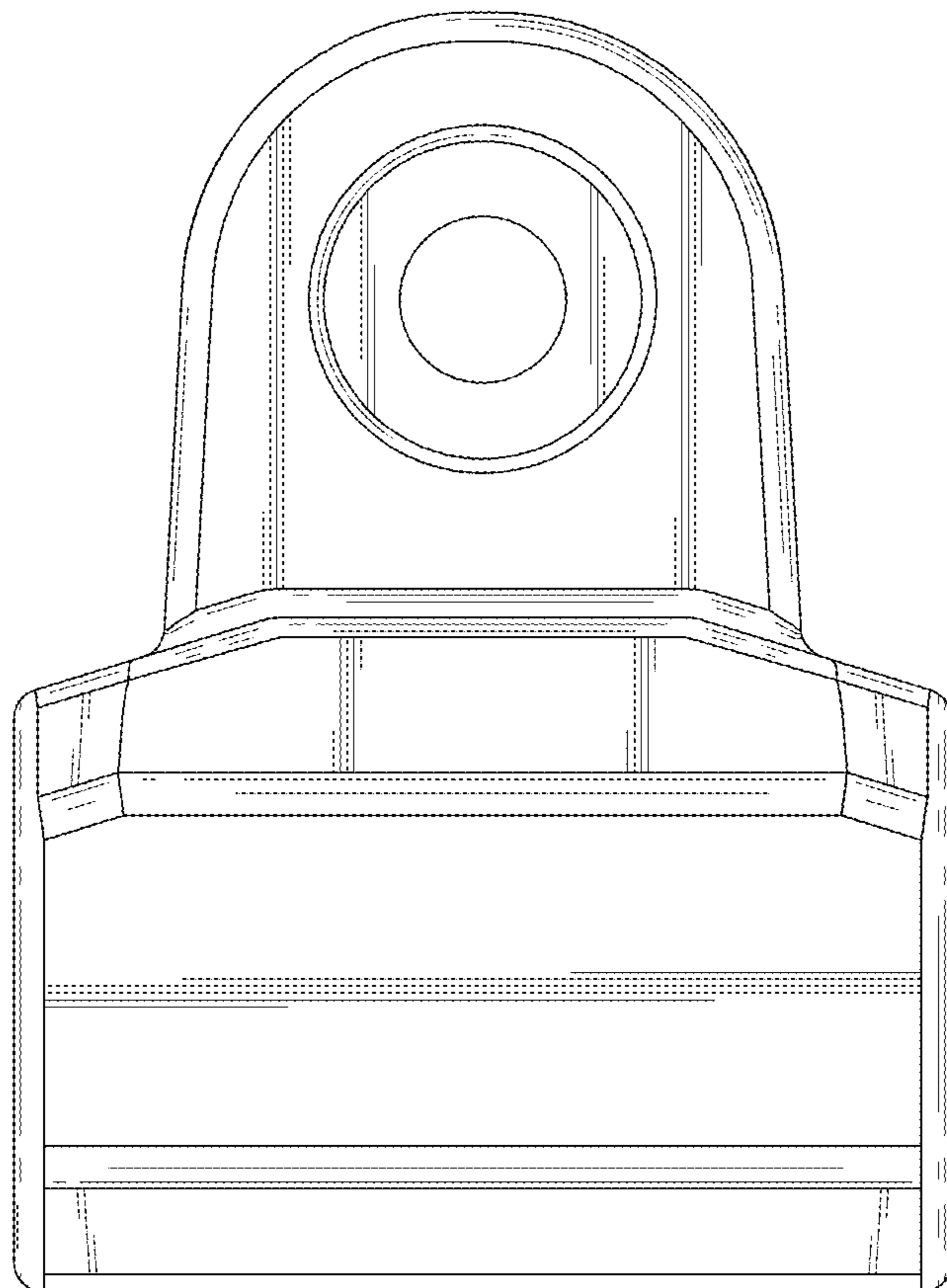


FIG. 6

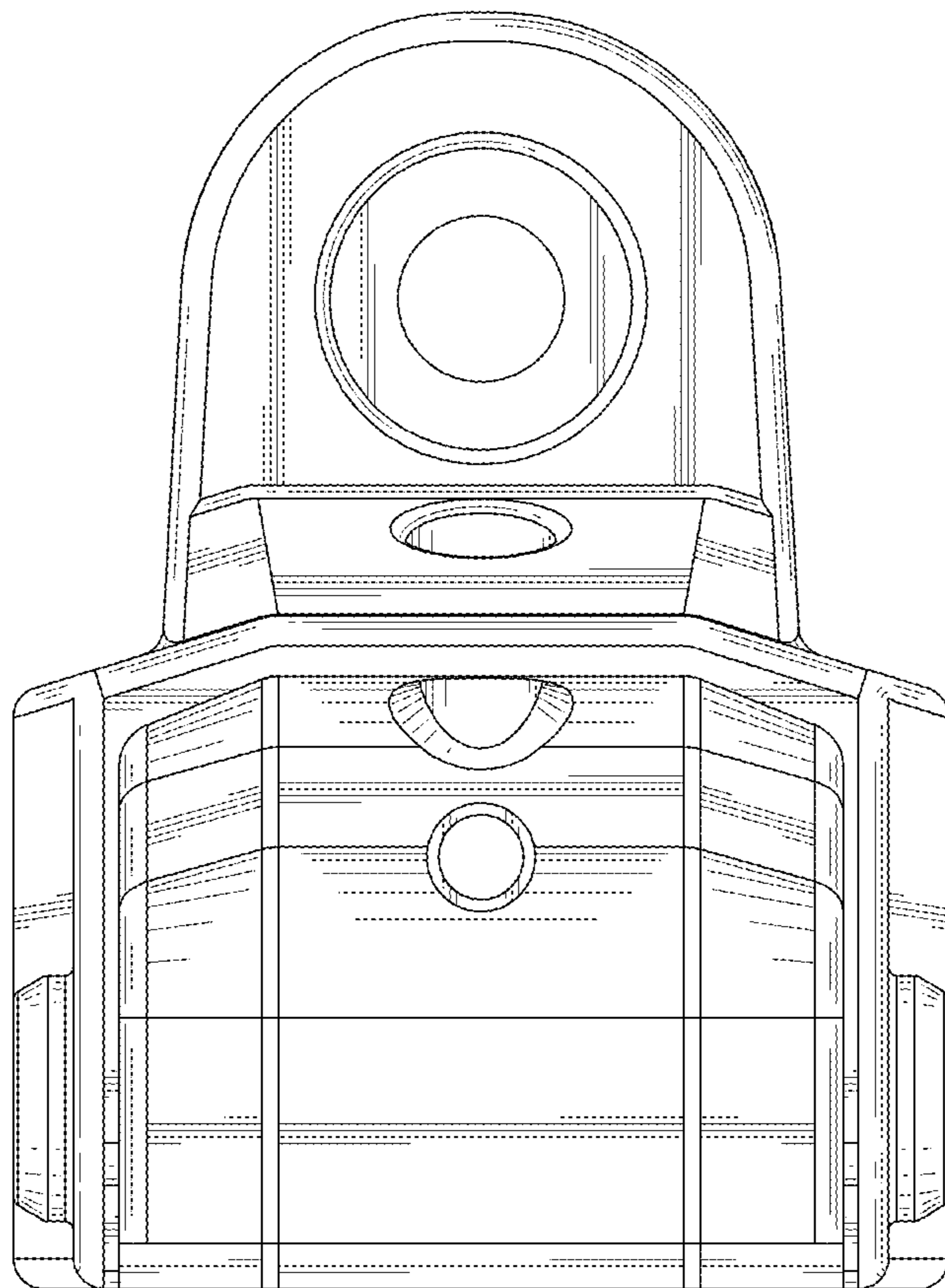


FIG. 7

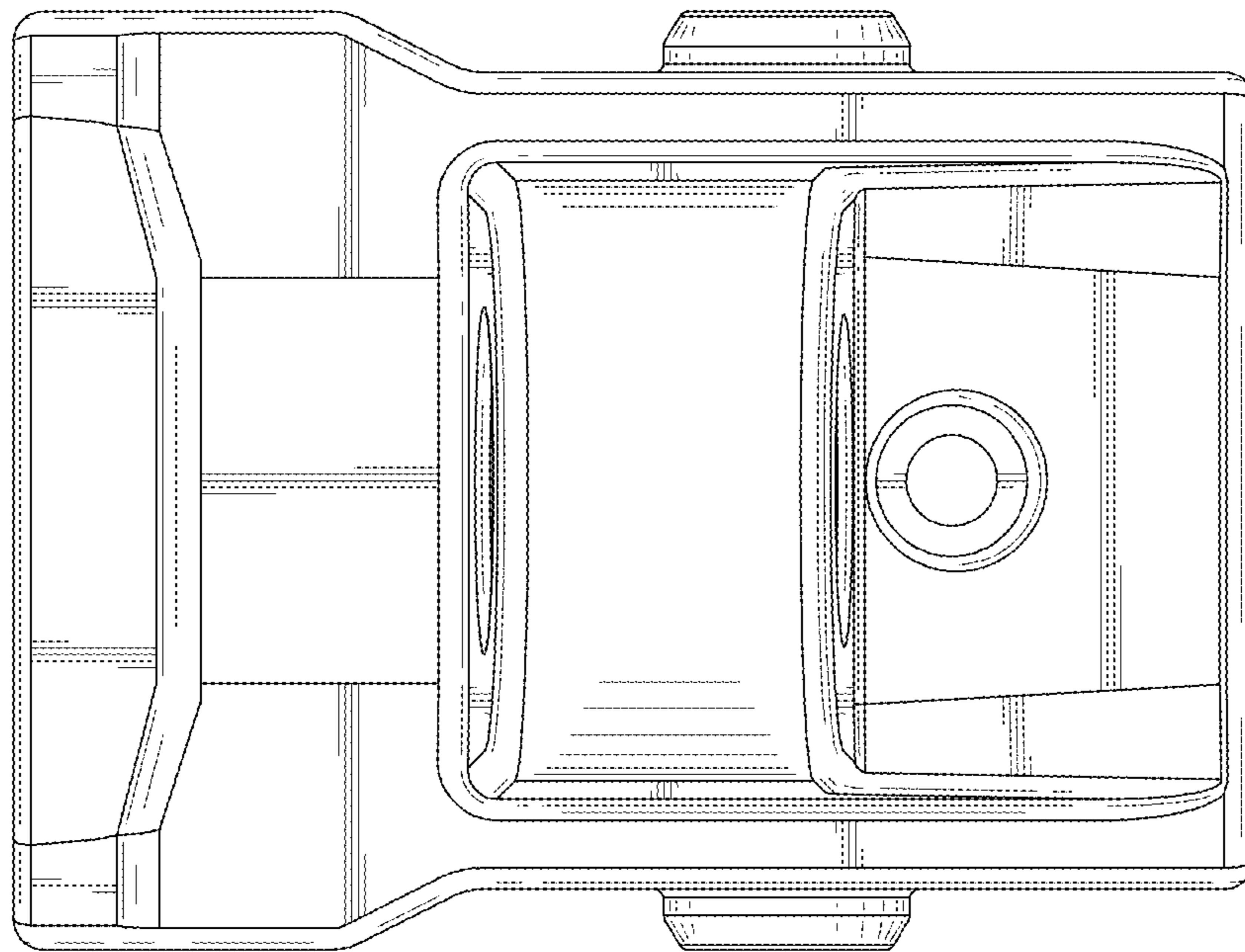


FIG. 8

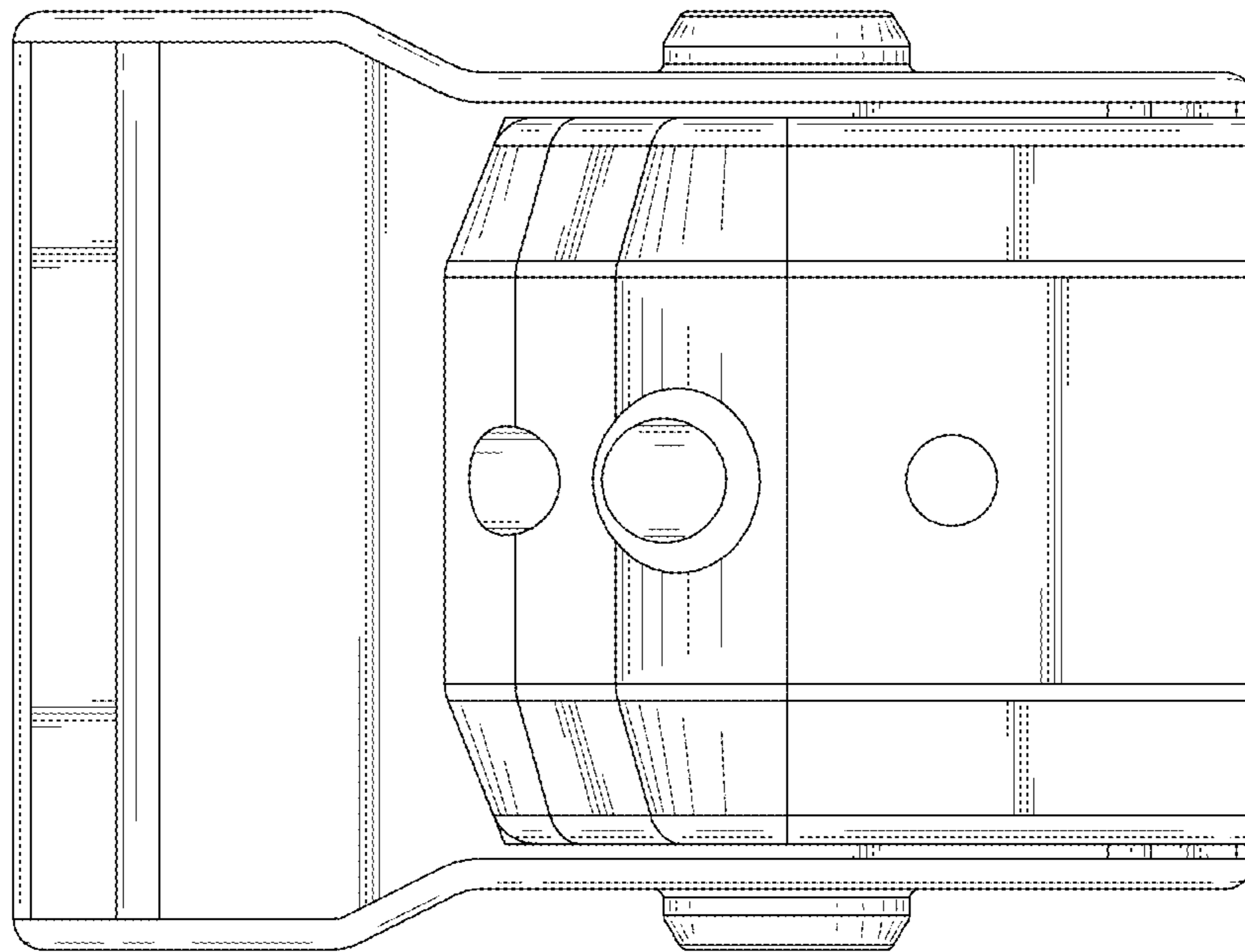


FIG. 9

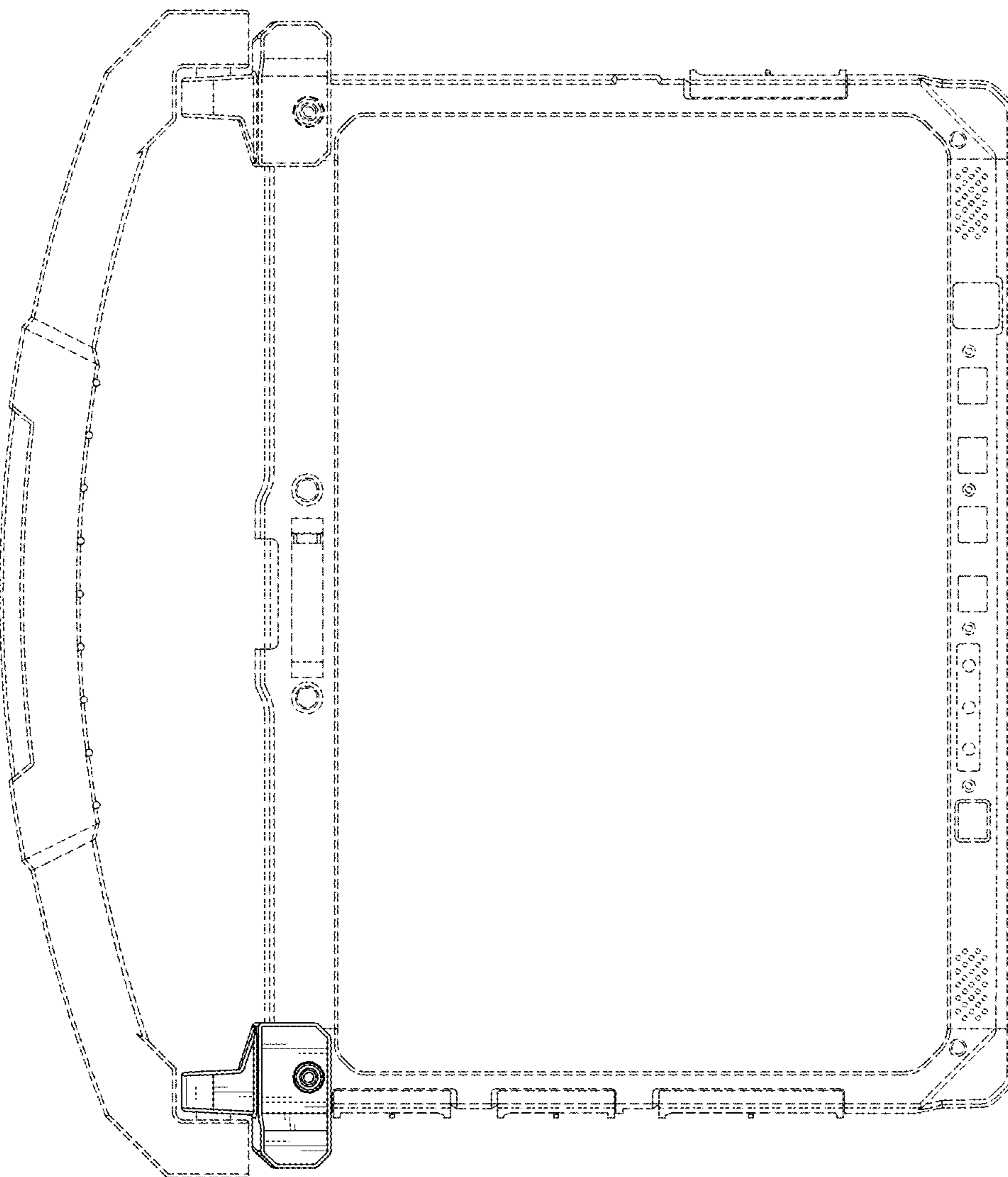


FIG. 10