



US00D898741S

(12) **United States Design Patent**
Wolfson

(10) **Patent No.:** **US D898,741 S**

(45) **Date of Patent:** **** Oct. 13, 2020**

(54) **INPUT DEVICE**

(71) Applicant: **Logitech Europe S.A.**, Lausanne (CH)

(72) Inventor: **Paul Benjamin Wolfson**, Lausanne (CH)

(73) Assignee: **Logitech Europe S.A.**, Lausanne (CH)

(**) Term: **15 Years**

(21) Appl. No.: **29/689,114**

(22) Filed: **Apr. 26, 2019**

(51) **LOC (12) Cl.** **14-02**

(52) **U.S. Cl.**
USPC **D14/408**

(58) **Field of Classification Search**

USPC D14/402-411, 356, 388, 389, 383-385,
D14/417, 426; 345/156-167; 463/36-38;
358/471, 473; 273/148 B
CPC G06F 3/03543; G06F 2203/0333; G06F
3/039; G06F 3/038; G06F 2203/0384
See application file for complete search history.

(56) **References Cited**

U.S. PATENT DOCUMENTS

D483,765 S * 12/2003 Ma D14/408
D513,258 S * 12/2005 Huang D14/408
D621,838 S * 8/2010 Hoehn D14/408
D629,804 S * 12/2010 Hoehn D14/408

D725,111 S * 3/2015 Jeong D14/408
D737,274 S * 8/2015 Kuo D14/408
D738,884 S * 9/2015 Zheng D14/408
D863,302 S * 10/2019 Cheung D14/408
D872,088 S * 1/2020 Turksu D14/408
D872,089 S * 1/2020 Park D14/408
D881,885 S * 4/2020 Zhan D14/408
D882,574 S * 4/2020 Zhan D14/408

* cited by examiner

Primary Examiner — Austin Murphy

(74) *Attorney, Agent, or Firm* — Kilpatrick Townsend & Stockton LLP

(57) **CLAIM**

The ornamental design for input device, as shown and described.

DESCRIPTION

FIG. 1 is a top perspective view of our input device showing our design;

FIG. 2 is a bottom perspective view thereof;

FIG. 3 is a top plan view thereof;

FIG. 4 is a bottom plan view thereof;

FIG. 5 is a front elevation view thereof;

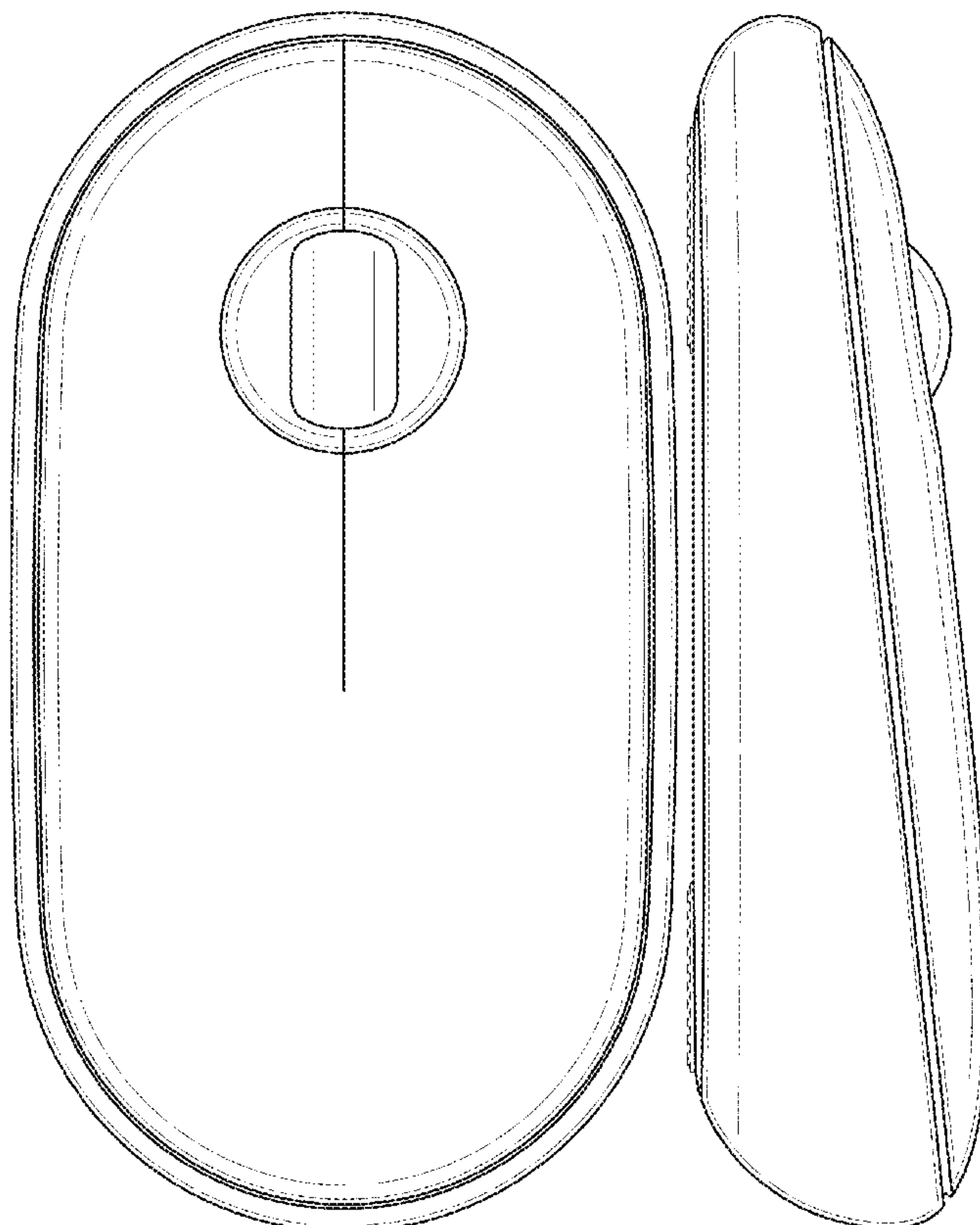
FIG. 6 is rear elevation view thereof;

FIG. 7 is a left elevation view thereof; and,

FIG. 8 is a right elevation view thereof.

The broken lines depict portions of the input device in which the design is embodied but form no part of the claimed design.

1 Claim, 6 Drawing Sheets



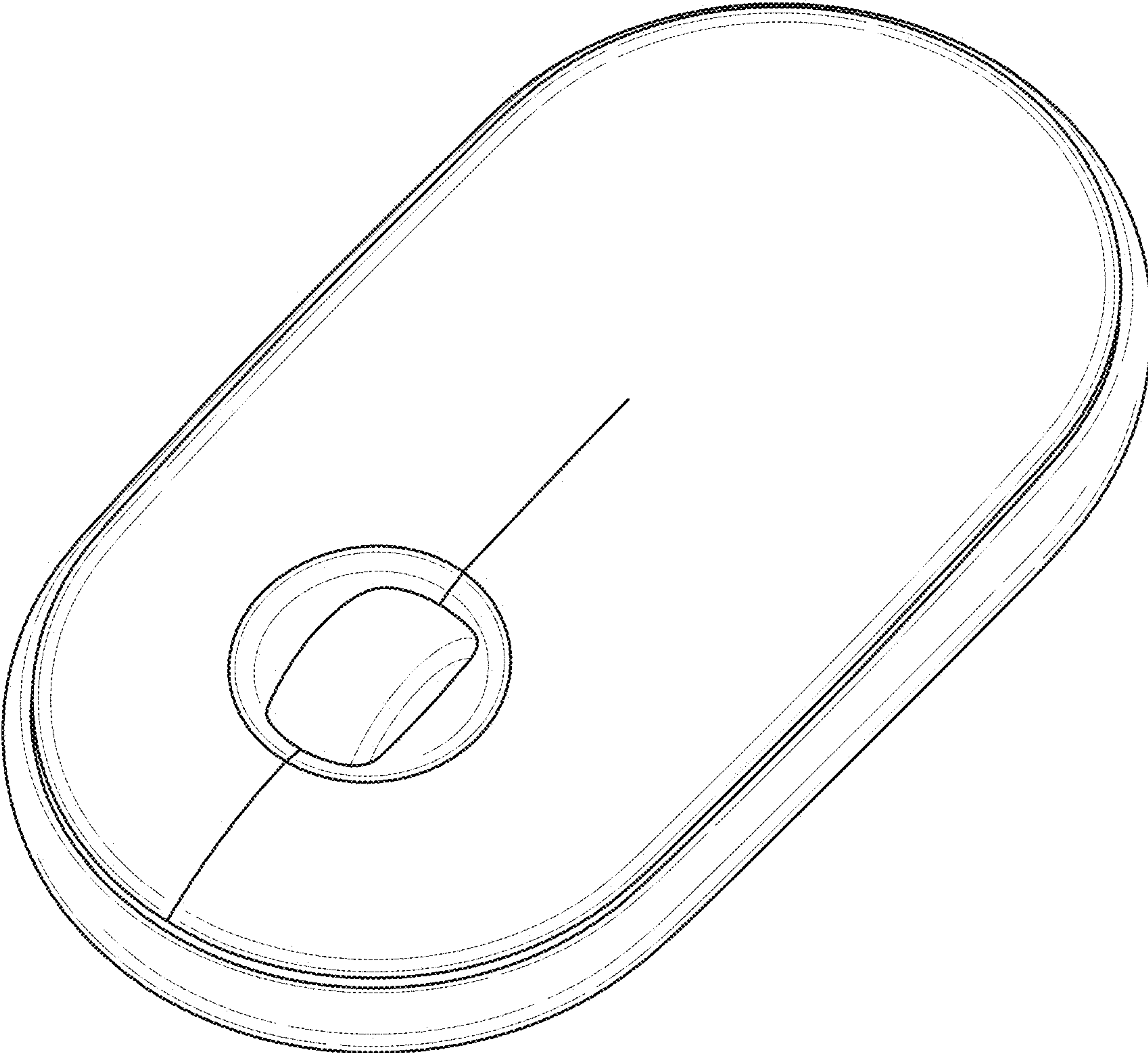


FIG. 1

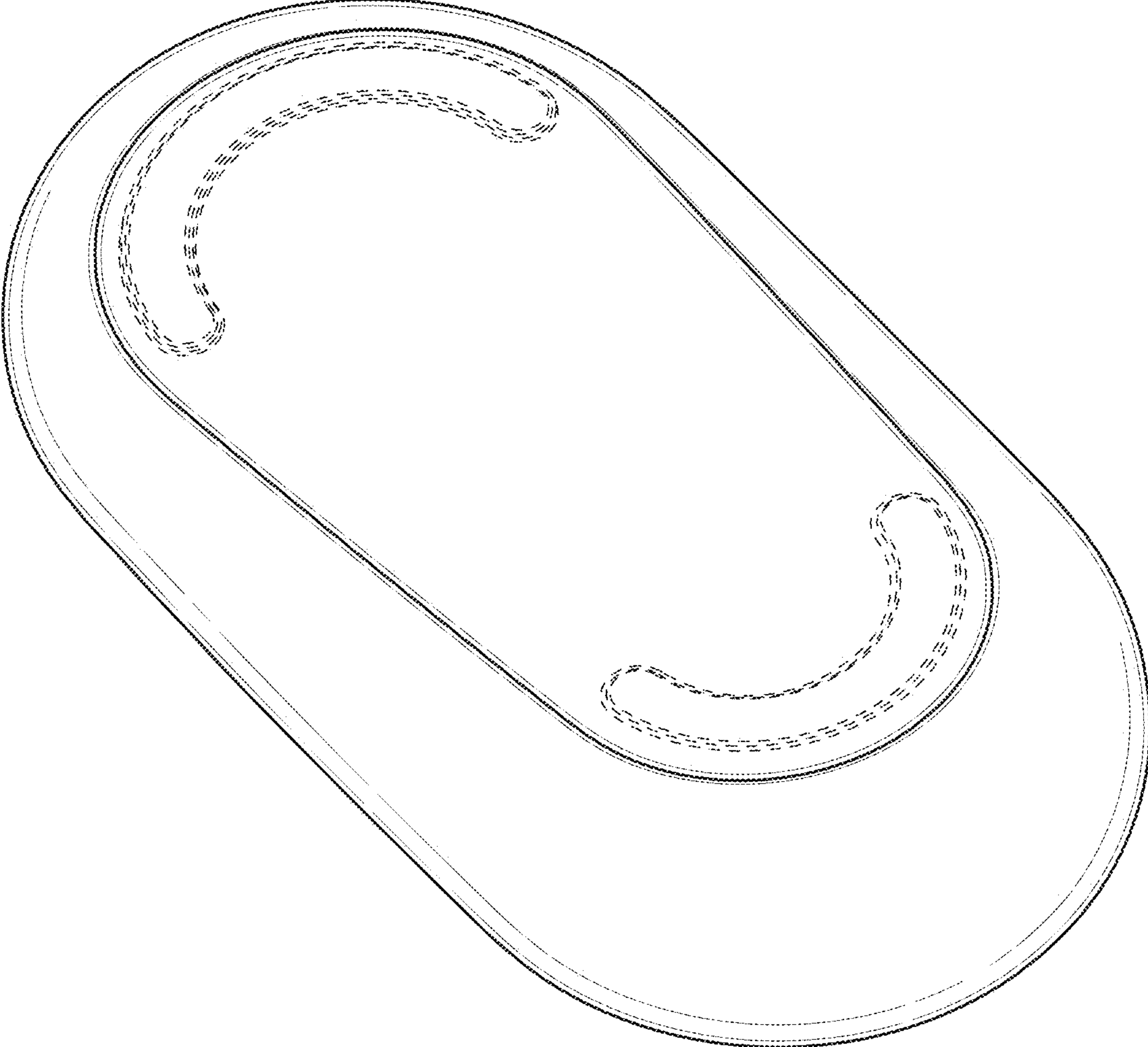


FIG. 2

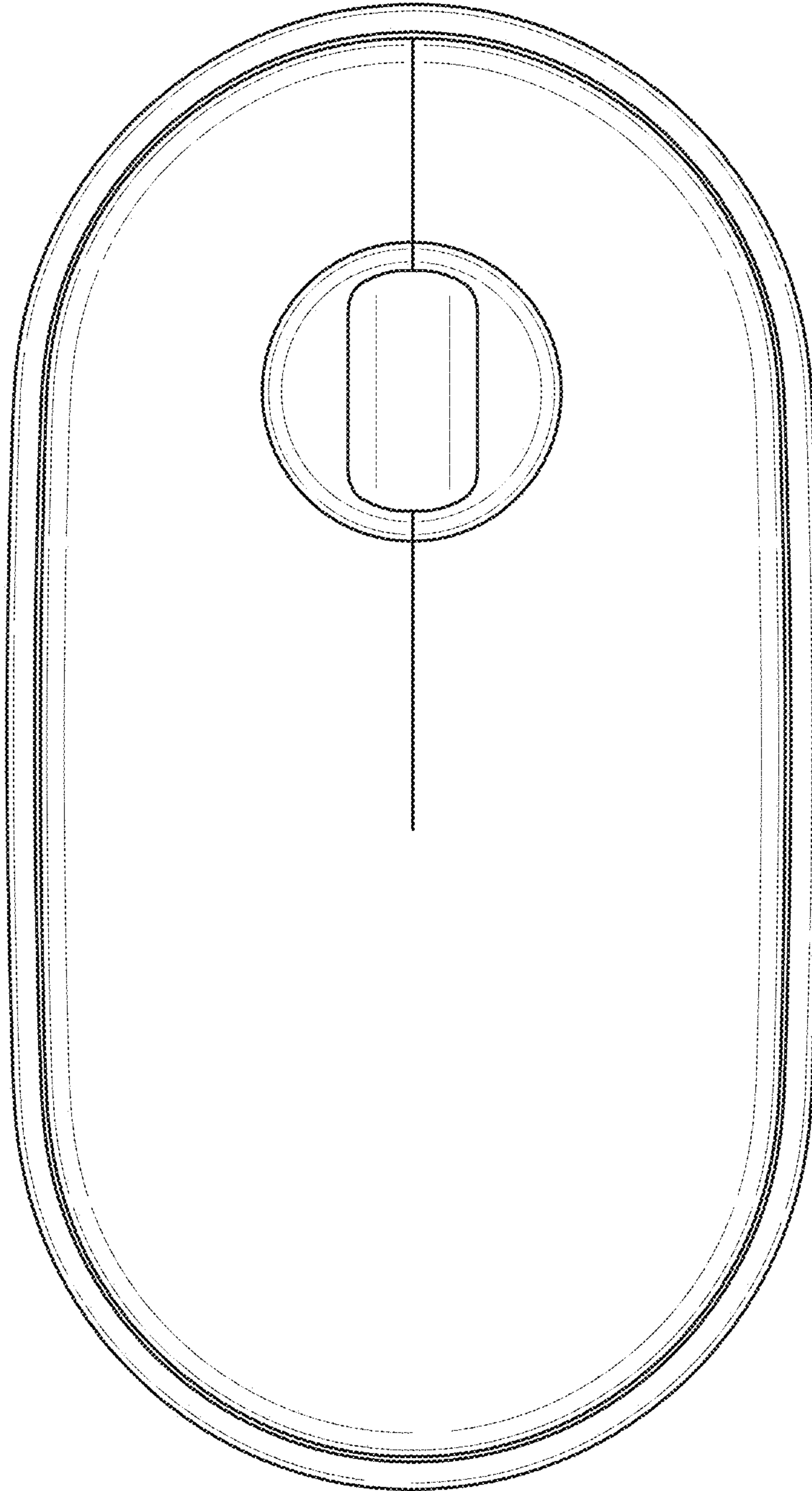


FIG. 3

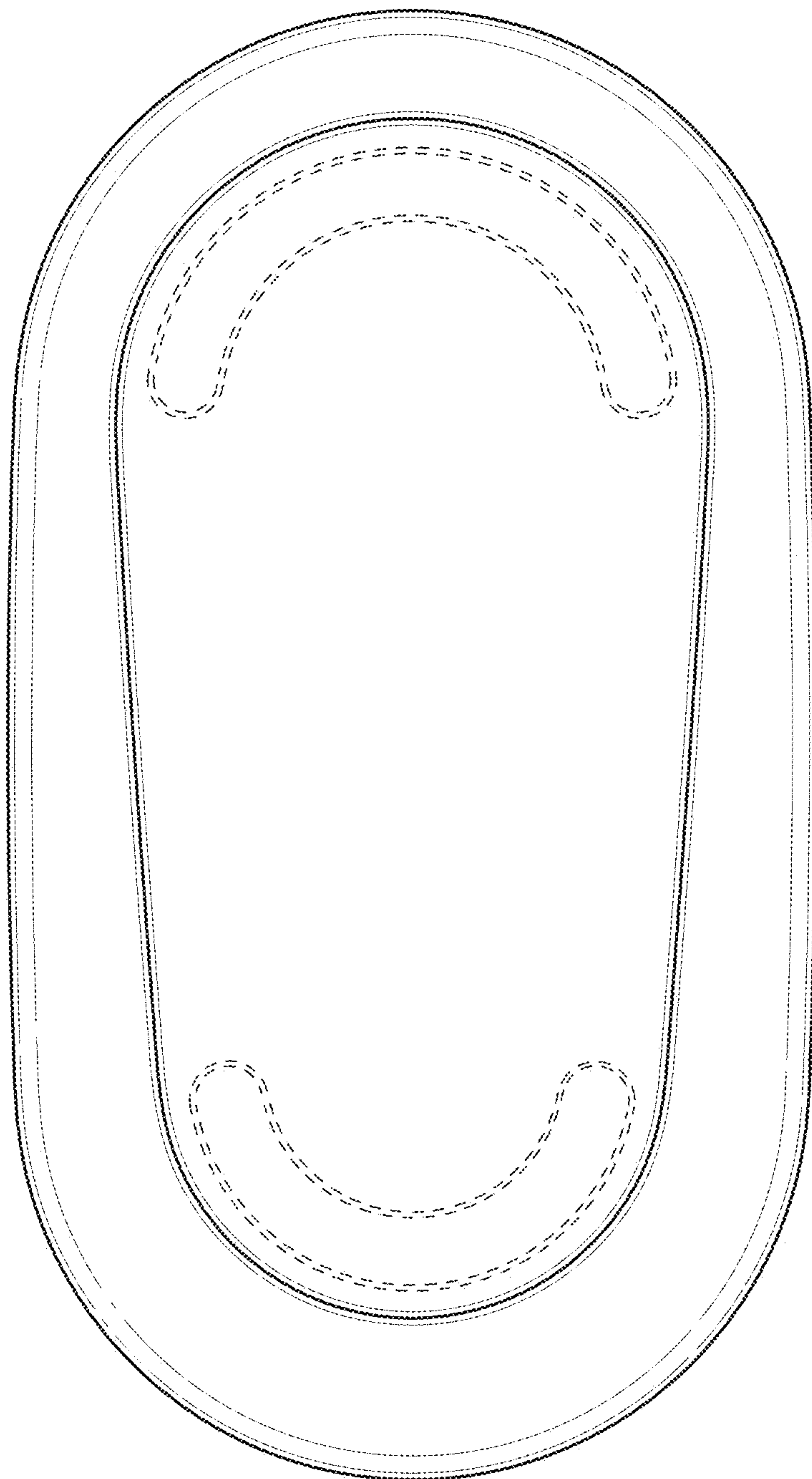


FIG. 4

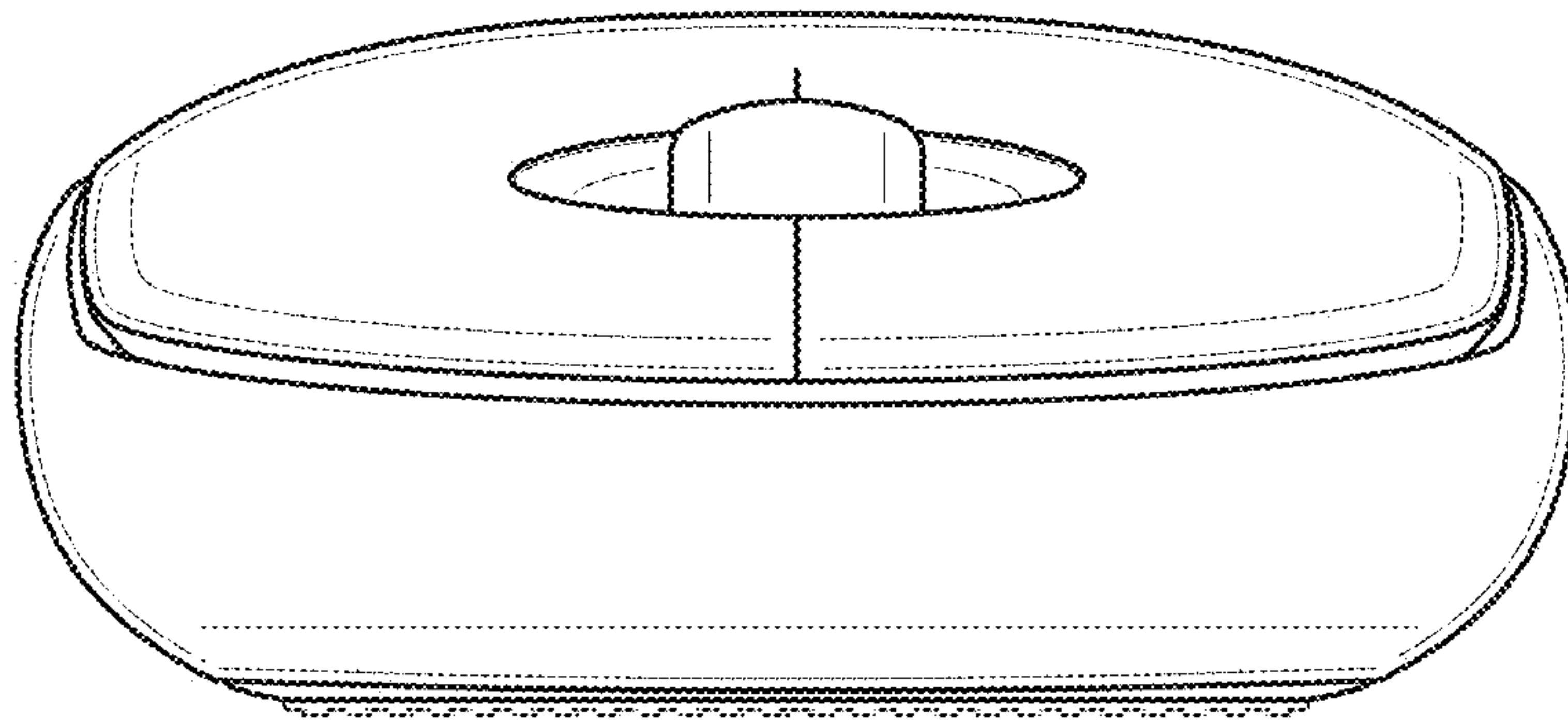


FIG. 5

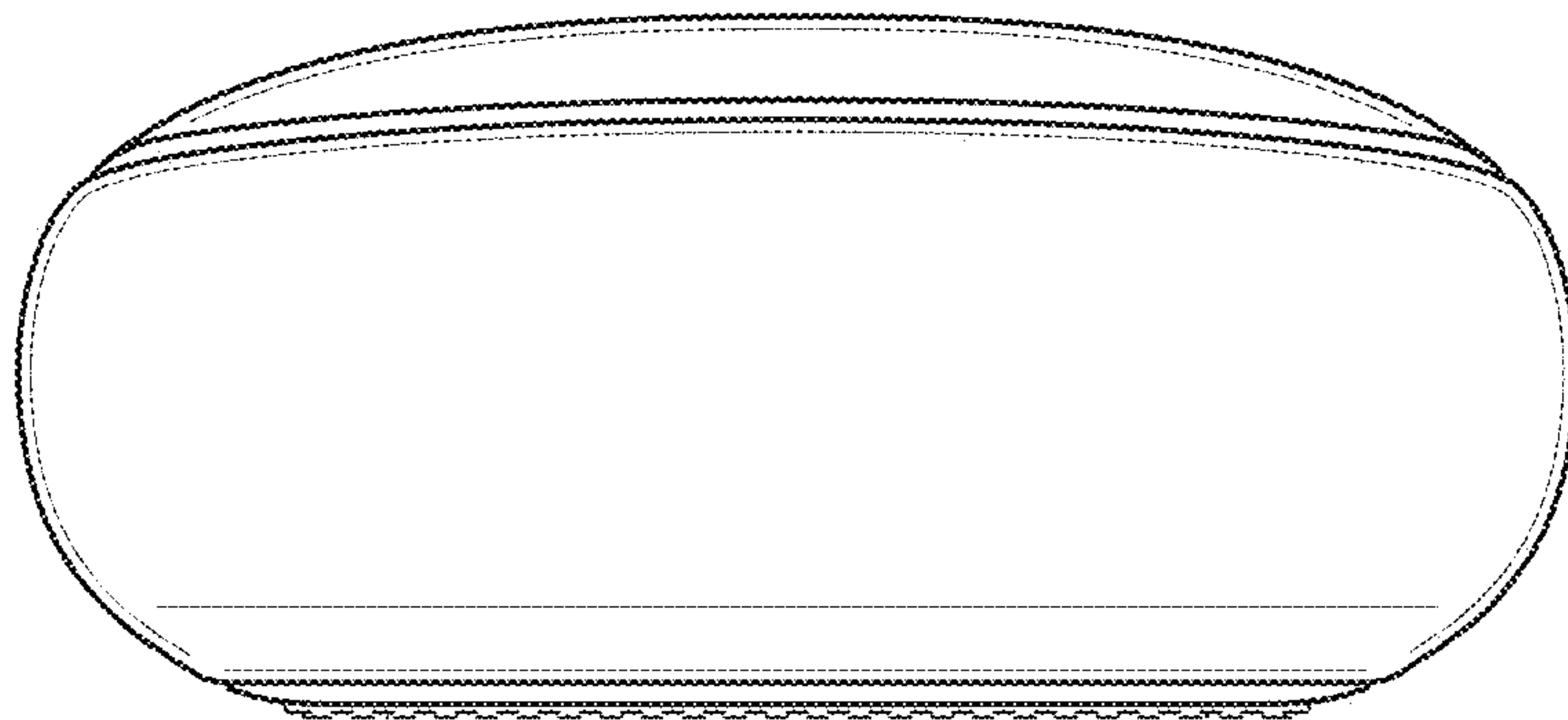


FIG. 6

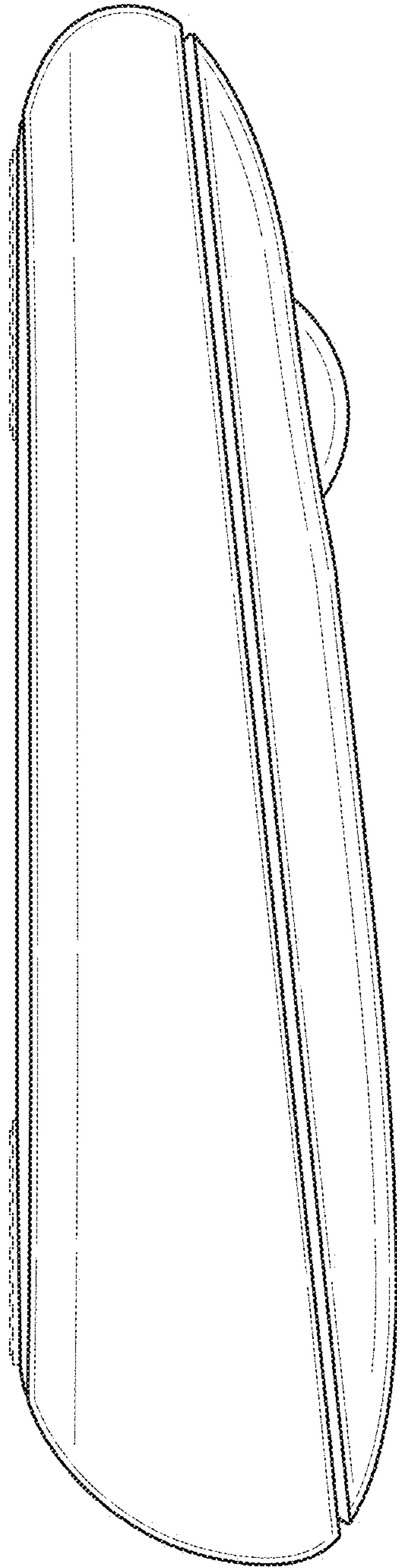


FIG. 7

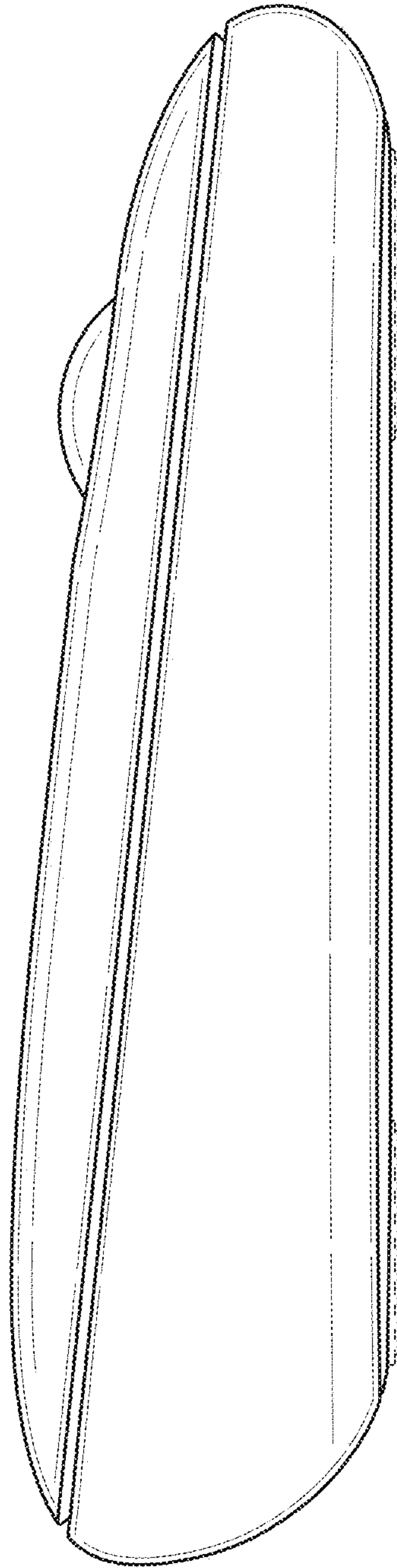


FIG. 8