



US00D898737S

(12) **United States Design Patent**
Chen

(10) **Patent No.:** **US D898,737 S**

(45) **Date of Patent:** **** Oct. 13, 2020**

(54) **PORTABLE DISPLAY**

(71) Applicant: **Shenzhen Weichensi Technology Co., Ltd.**, Shenzhen, Guangdong (CN)

(72) Inventor: **Yihua Chen**, Guangdong (CN)

(73) Assignee: **Shenzhen Weichensi Technology Co., Ltd.**, Shenzhen (CN)

(**) Term: **15 Years**

(21) Appl. No.: **29/691,063**

(22) Filed: **May 14, 2019**

(30) **Foreign Application Priority Data**

Mar. 14, 2019 (CN) 2019 3 0104454

(51) **LOC (12) Cl.** **14-02**

(52) **U.S. Cl.**
USPC **D14/345; D14/341**

(58) **Field of Classification Search**
USPC D14/341-346, 203.3, 138 R, 138 AC,
D14/126-128; D10/65
CPC G06F 1/16; G06F 1/1601; G06F 1/1637;
H04N 5/64; H05K 5/0204; H05K 5/0017;
H05K 5/0217

See application file for complete search history.

(56) **References Cited**

U.S. PATENT DOCUMENTS

D706,773 S * 6/2014 Lu D14/341
D712,399 S * 9/2014 Sohn D14/336
D713,841 S * 9/2014 Lim D14/341
D715,290 S * 10/2014 Bryan D14/341
D717,295 S * 11/2014 Jensen D14/315
D749,564 S * 2/2016 Cho D14/341

(Continued)

FOREIGN PATENT DOCUMENTS

CN 201430540561 * 10/2015
CN 201530569452 * 6/2016

(Continued)

OTHER PUBLICATIONS

ASUS MB168B, (c) 2013 [online], [retrieved Jul. 21, 2020], Retrieved from Internet, URL: <https://www.amazon.com/ASUS-MB168B-1366x768-Portable-Monitor/dp/B00FE690DI/ref=asc_df_B00FE690DI/?tag=hyprod-20&linkCode=dfO&hvad%E2%80%A6> (Year: 2013).*

(Continued)

Primary Examiner — Barbara Fox
Assistant Examiner — Aram Kwon

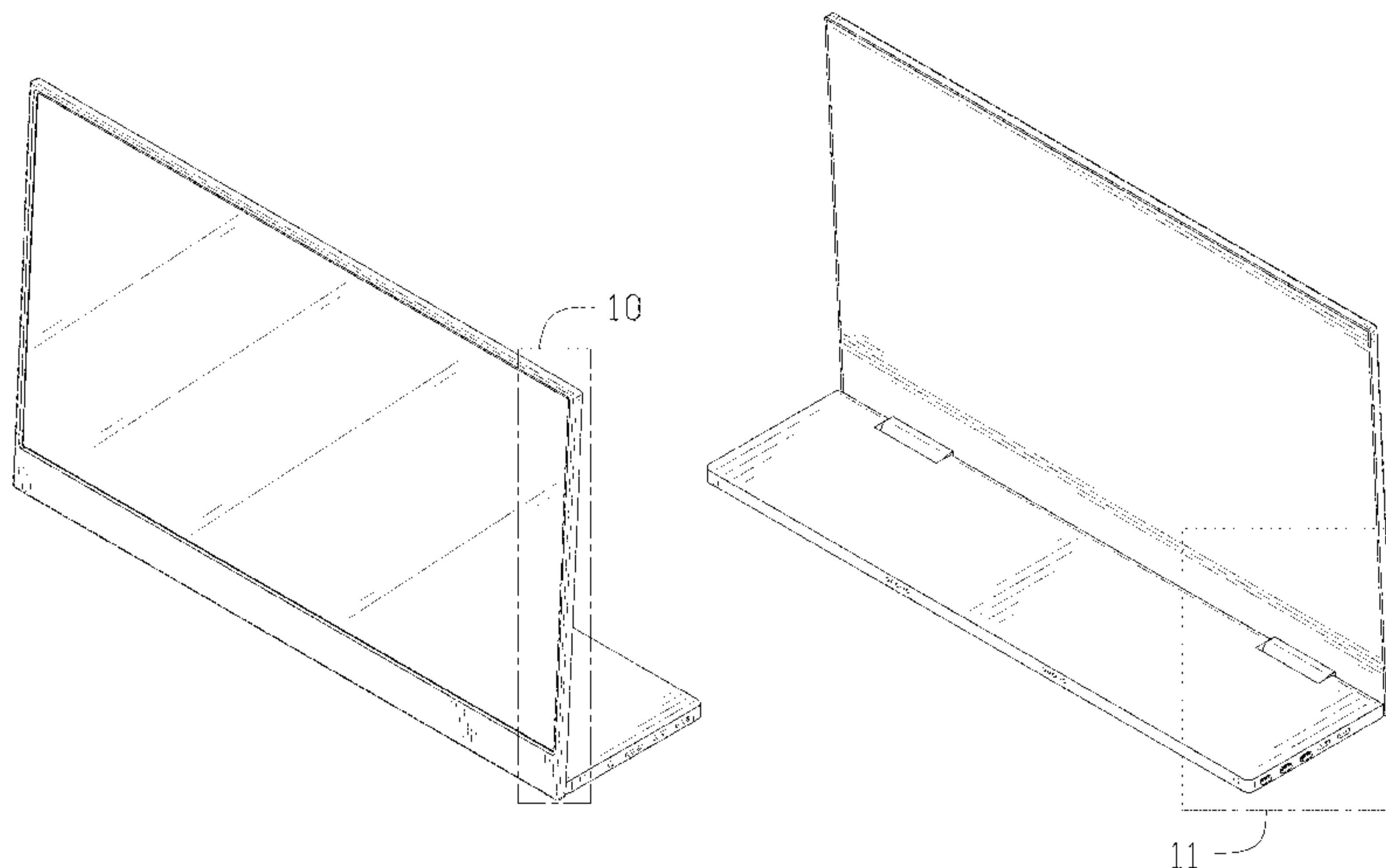
(57) **CLAIM**

The ornamental design for a portable display, as shown and described.

DESCRIPTION

FIG. 1 is a top, front and right side perspective view of a portable display showing my new design; FIG. 2 is a top, rear and left side perspective view thereof; FIG. 3 is a front elevational view thereof; FIG. 4 is a rear elevational view thereof; FIG. 5 is a left side view thereof; FIG. 6 is a right side view thereof; FIG. 7 is a top plan view thereof; FIG. 8 is a bottom plan view thereof; FIG. 9 is a bottom, rear and left side perspective view showing the portable display in a folded state; FIG. 10 is an enlarged view of portion 10 in FIG. 1; FIG. 11 is an enlarged view of portion 11 in FIG. 2; FIG. 12 is an enlarged view of portion 12 in FIG. 4; and, FIG. 13 is an enlarged view of portion 13 in FIG. 9. The oblique shade lines in the drawings represent a reflective surface. The broken lines in the drawings illustrate portions of the portable display which form no part of the claimed design.

1 Claim, 13 Drawing Sheets



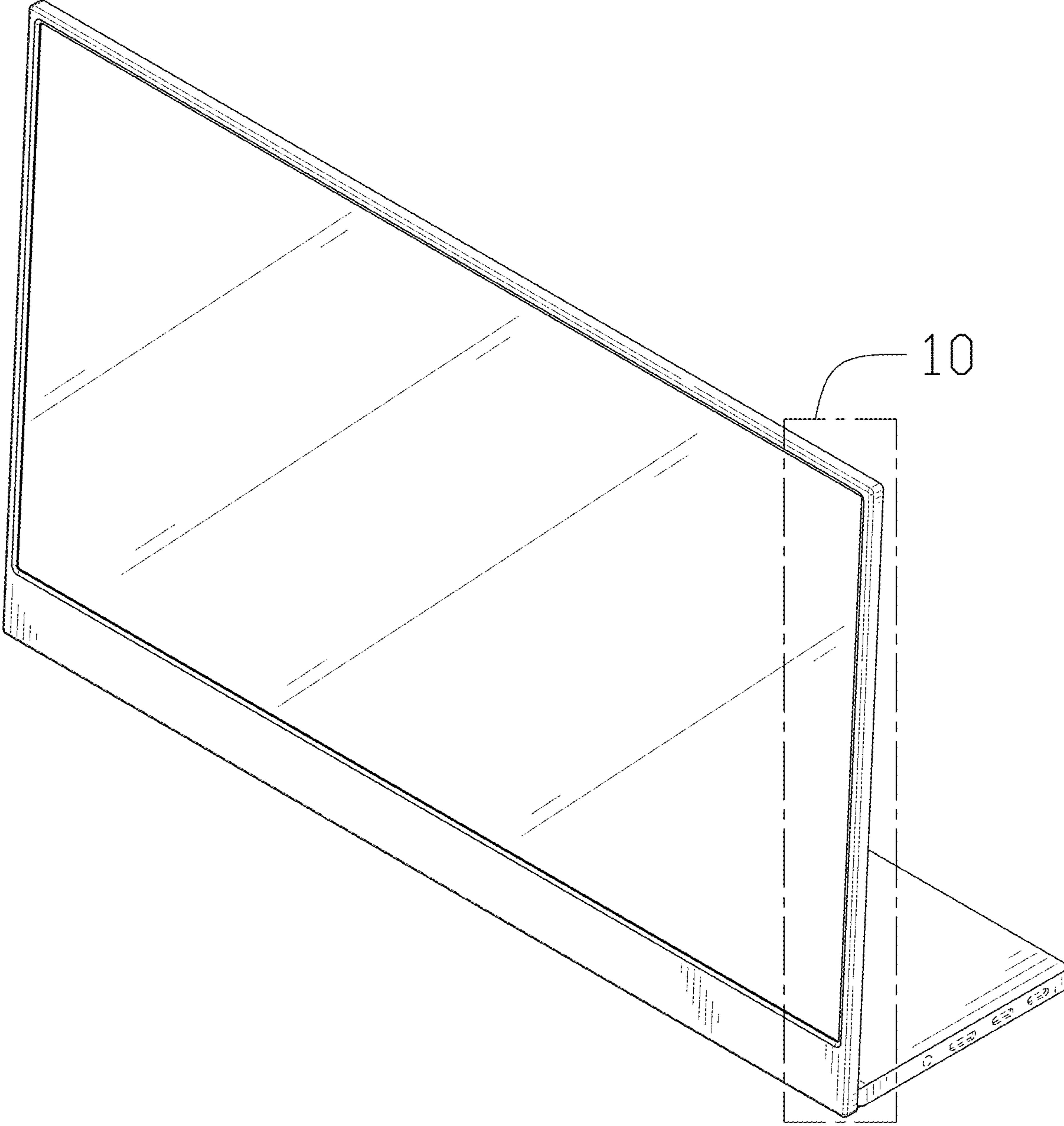


FIG. 1

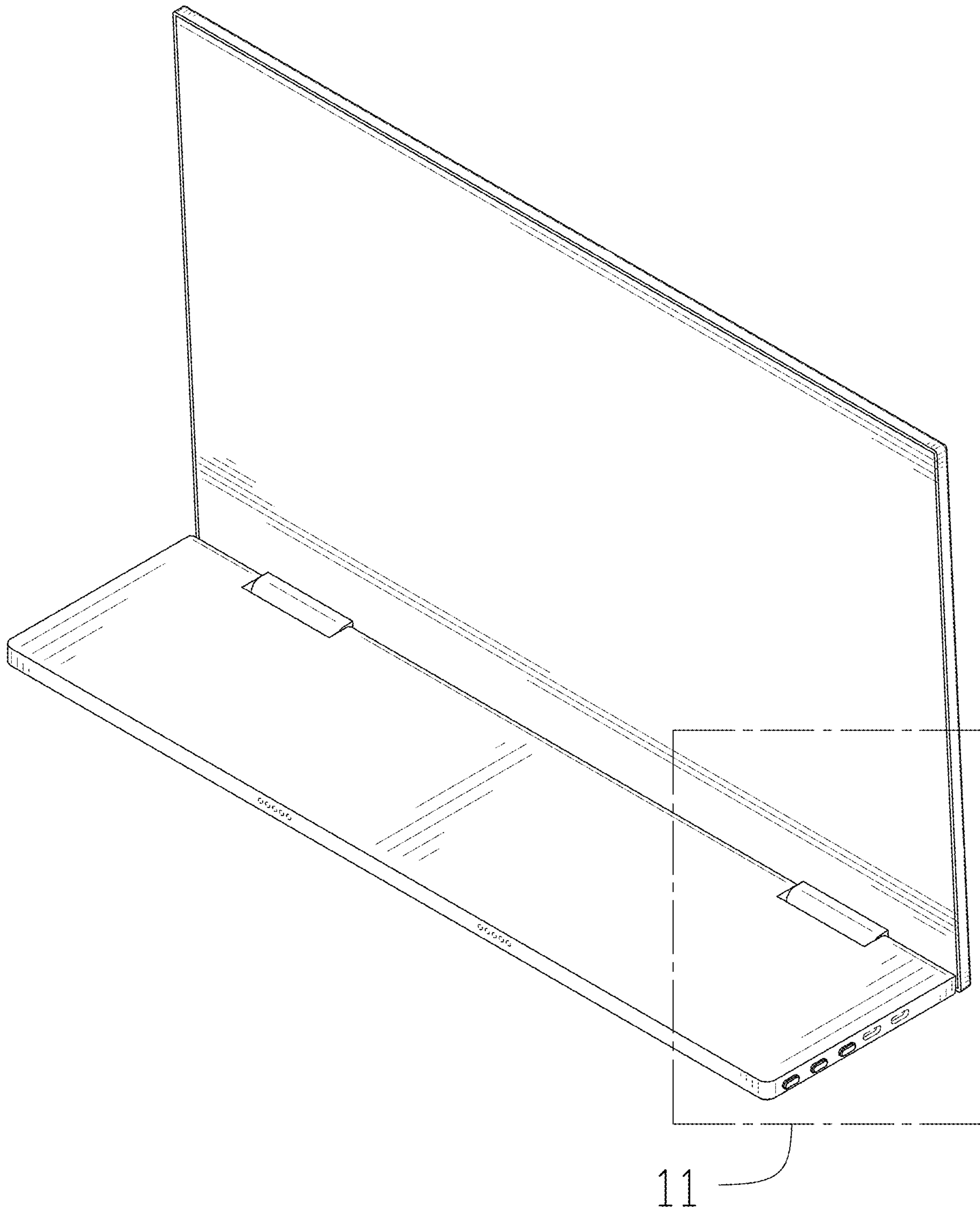


FIG. 2

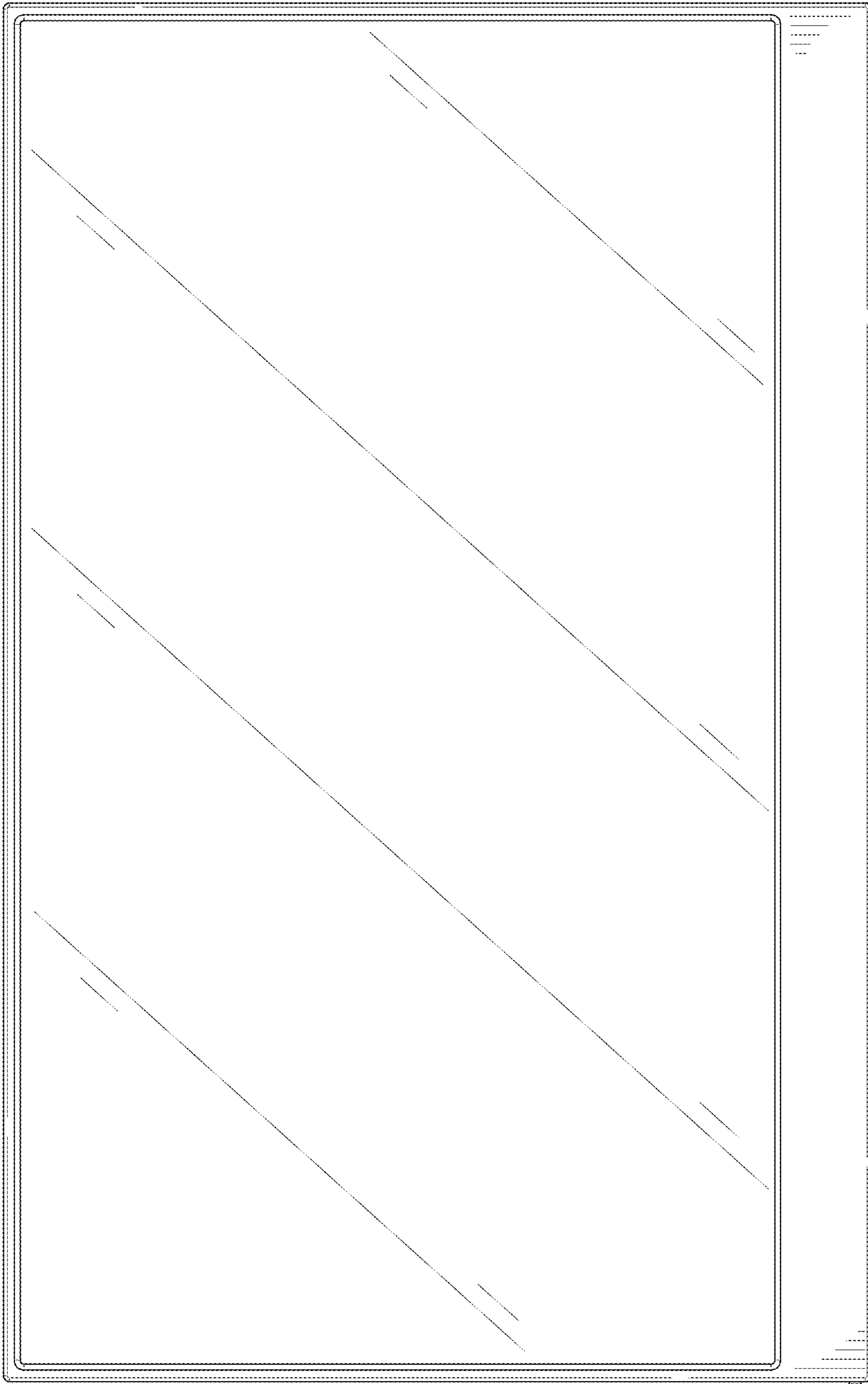


FIG. 3

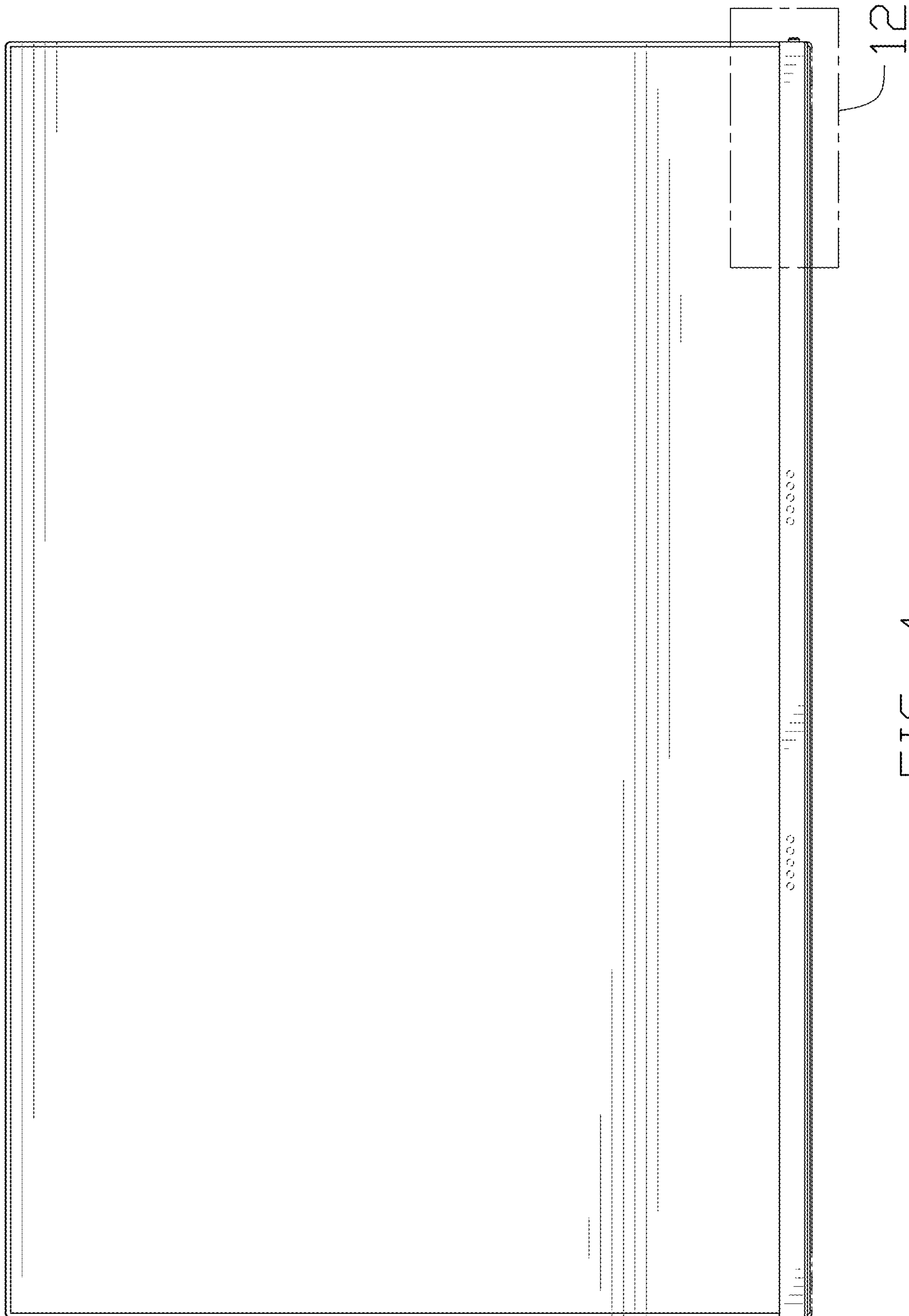


FIG. 4

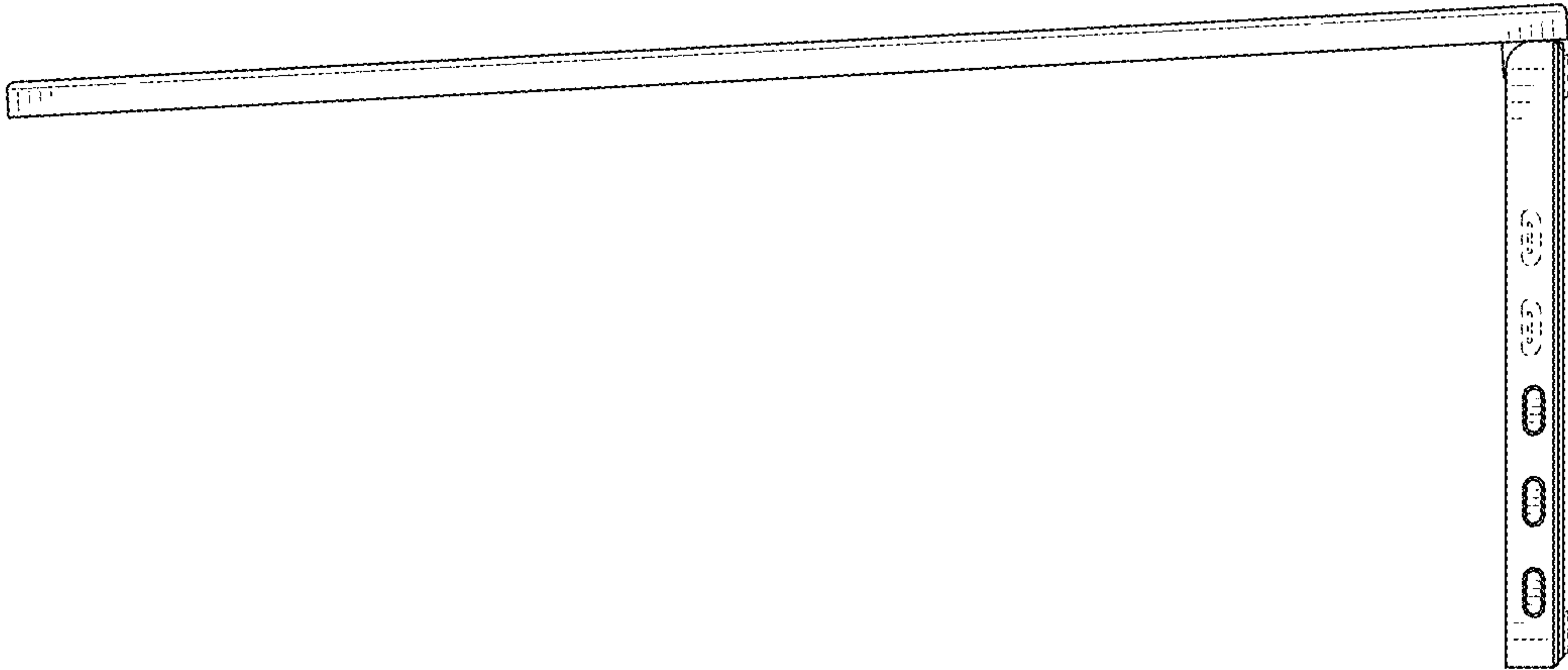


FIG. 5

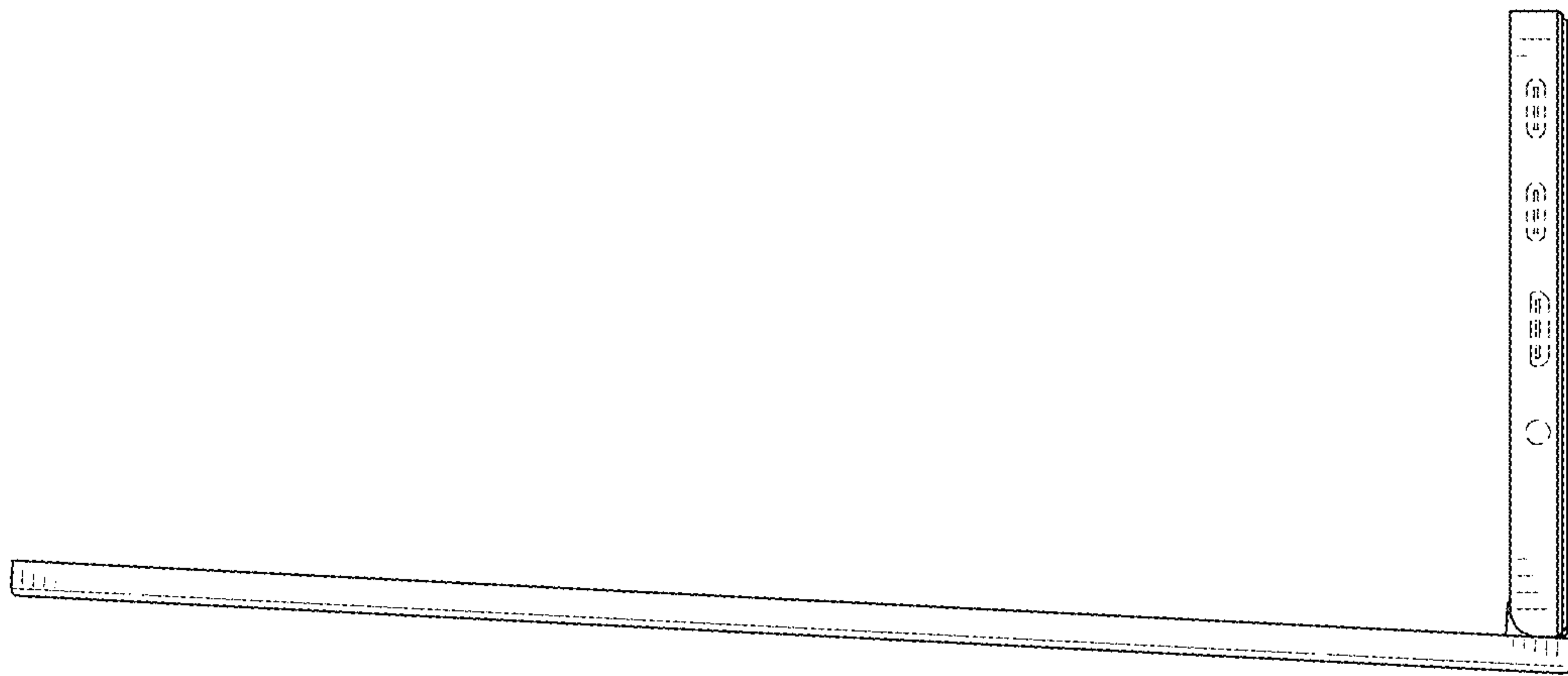


FIG. 6

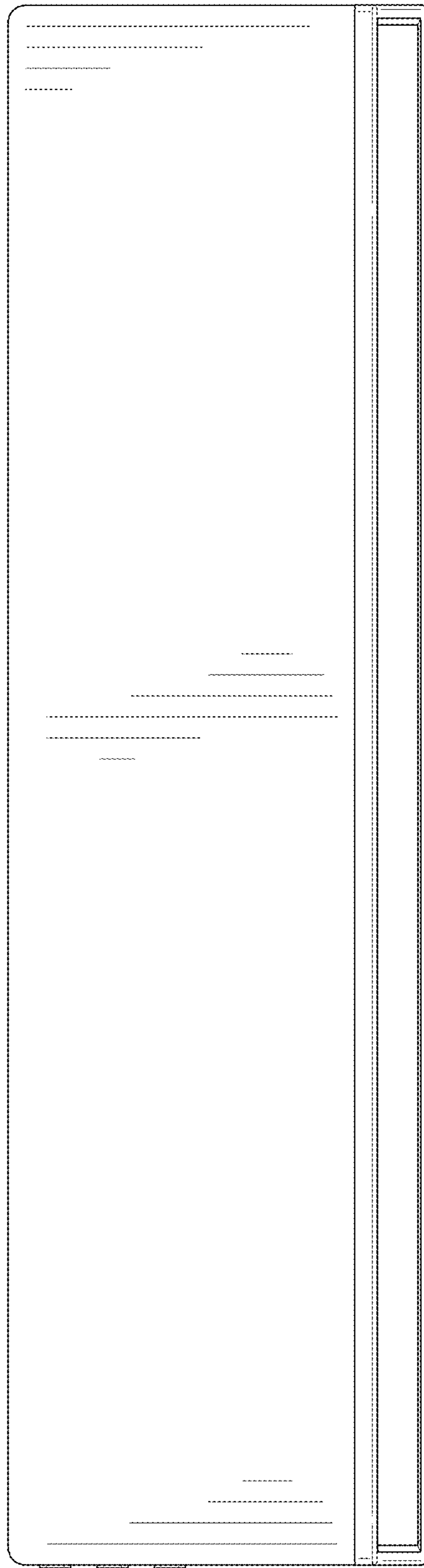


FIG. 7

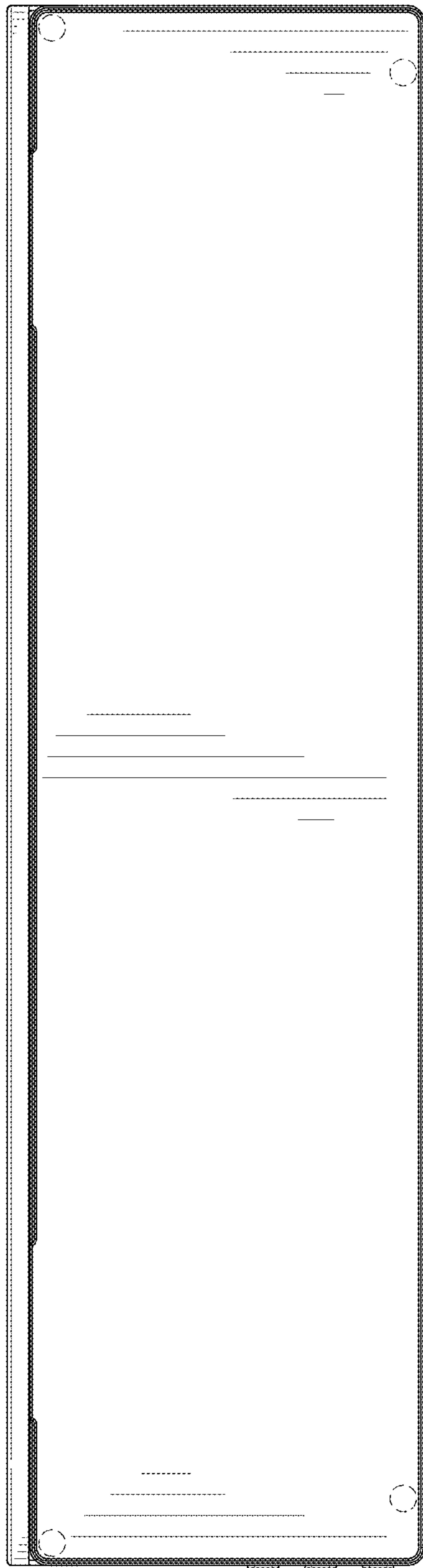


FIG. 8

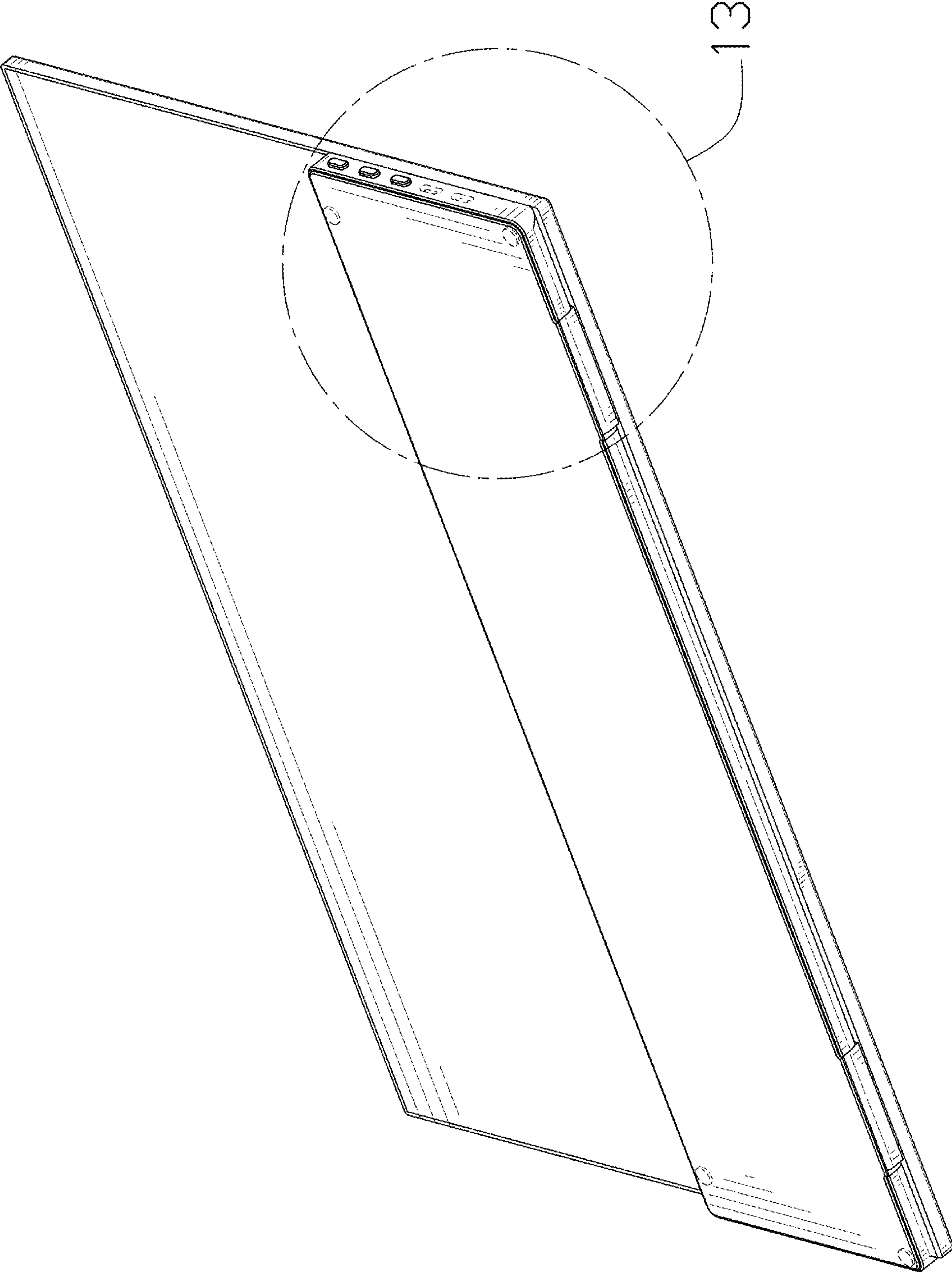


FIG. 9

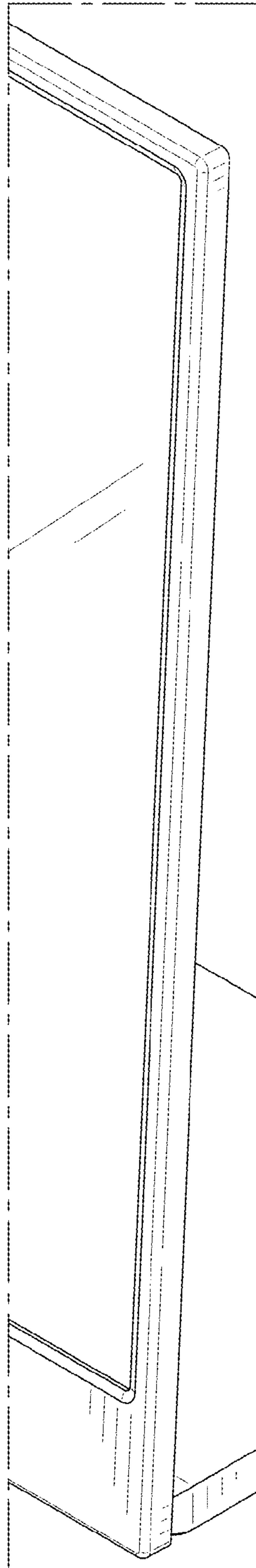


FIG. 10

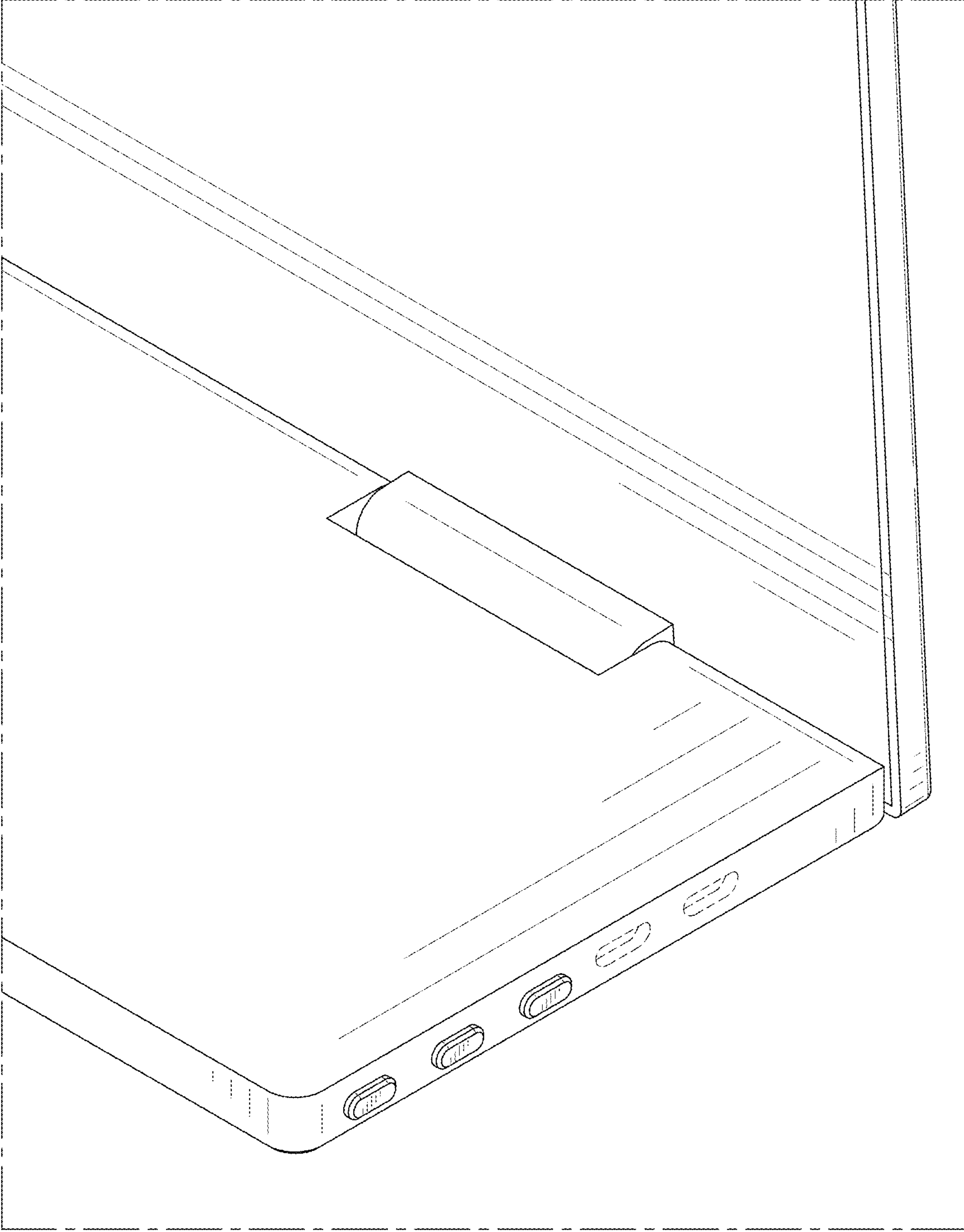


FIG. 11

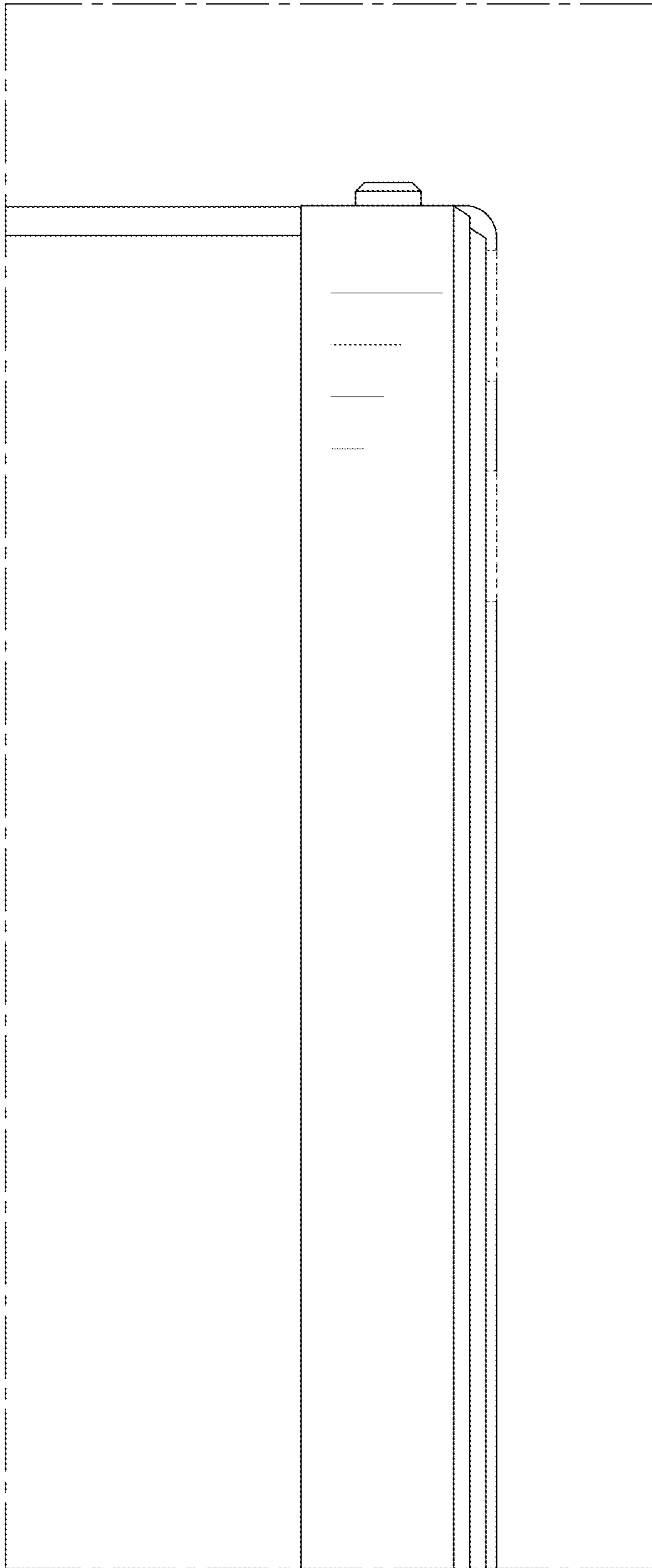


FIG. 12

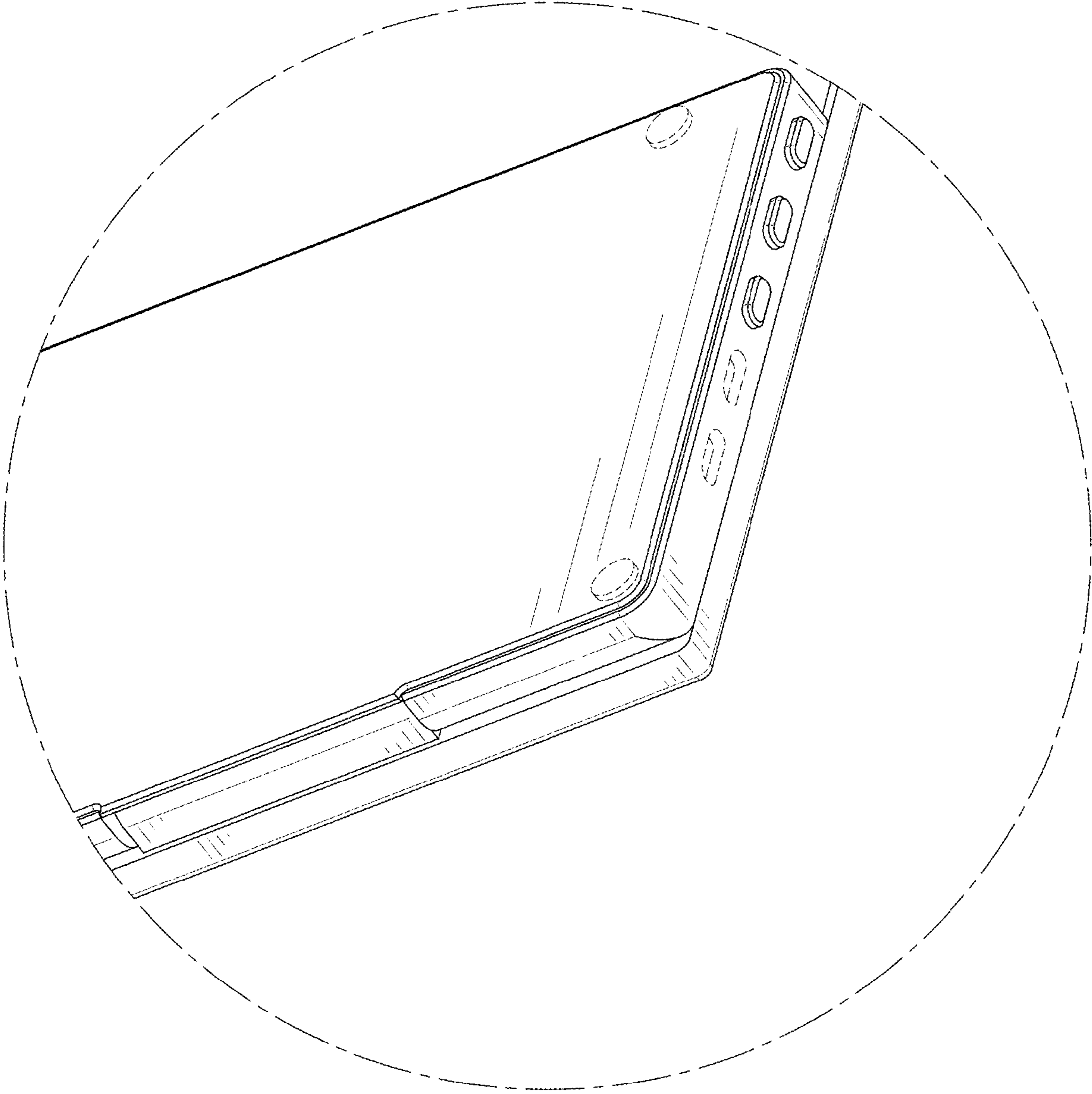


FIG. 13