



US00D898734S

(12) **United States Design Patent** (10) **Patent No.:** **US D898,734 S**
Birkenseer et al. (45) **Date of Patent:** **** Oct. 13, 2020**

(54) **TOUCHSCREEN MONITOR WITH OPERATION ELEMENT**
 (71) Applicant: **KRONES AG**, Neutraubling (DE)
 (72) Inventors: **Thomas Birkenseer**, Lappersdorf (DE);
Reiner Anders, Neutraubling (DE);
Stefan Schmidt, Regensburg (DE);
Thomas Stauber, Obertraubling (DE);
Timo Pronold, Wiesent (DE)

7,299,580 B2 * 11/2007 Wang F16M 11/10
 248/461
 D561,126 S * 2/2008 Hoehn D14/126
 D588,560 S * 3/2009 Mellingen D14/126
 D620,905 S * 8/2010 Honda D14/126
 D629,372 S * 12/2010 Lim D14/126
 D643,391 S * 8/2011 Honda D14/126
 D708,158 S * 7/2014 Minyard D14/127
 9,225,916 B2 * 12/2015 Friel H04N 5/33
 D788,725 S * 6/2017 Tompkin D14/127
 D877,106 S * 3/2020 Peng D14/126

(73) Assignee: **KRONES AG** (DE)

(**) Term: **15 Years**

(21) Appl. No.: **29/625,487**

(22) Filed: **Nov. 9, 2017**

(30) **Foreign Application Priority Data**

May 9, 2017 (EM) 003992411-0001
 May 9, 2017 (EM) 003992411-0002

(51) **LOC (12) Cl.** **14-02**

(52) **U.S. Cl.**
 USPC **D14/336**

(58) **Field of Classification Search**
 USPC D14/336, 341, 447-452, 371, 373, 374,
 D14/375, 376, 377, 126, 127, 128, 129
 CPC G06F 1/1601; G06F 1/1605; G06F 1/162;
 B65C 9/40; G05B 19/409
 See application file for complete search history.

(56) **References Cited**

U.S. PATENT DOCUMENTS

D460,056 S * 7/2002 Niitsu D14/126
 D489,340 S * 5/2004 Honda D14/126
 D491,935 S * 6/2004 Chin D14/336
 D540,275 S * 4/2007 Lewis D14/126
 D541,238 S * 4/2007 Smith D14/126

FOREIGN PATENT DOCUMENTS

EM 005947967-0001 * 1/2019
 JP 2002191561 A * 7/2002 G06F 1/1605
 JP 2014115654 A * 6/2014 H04N 5/2252

* cited by examiner

Primary Examiner — Lauren D McVey

(74) *Attorney, Agent, or Firm* — Hayes Soloway P.C.

(57) **CLAIM**

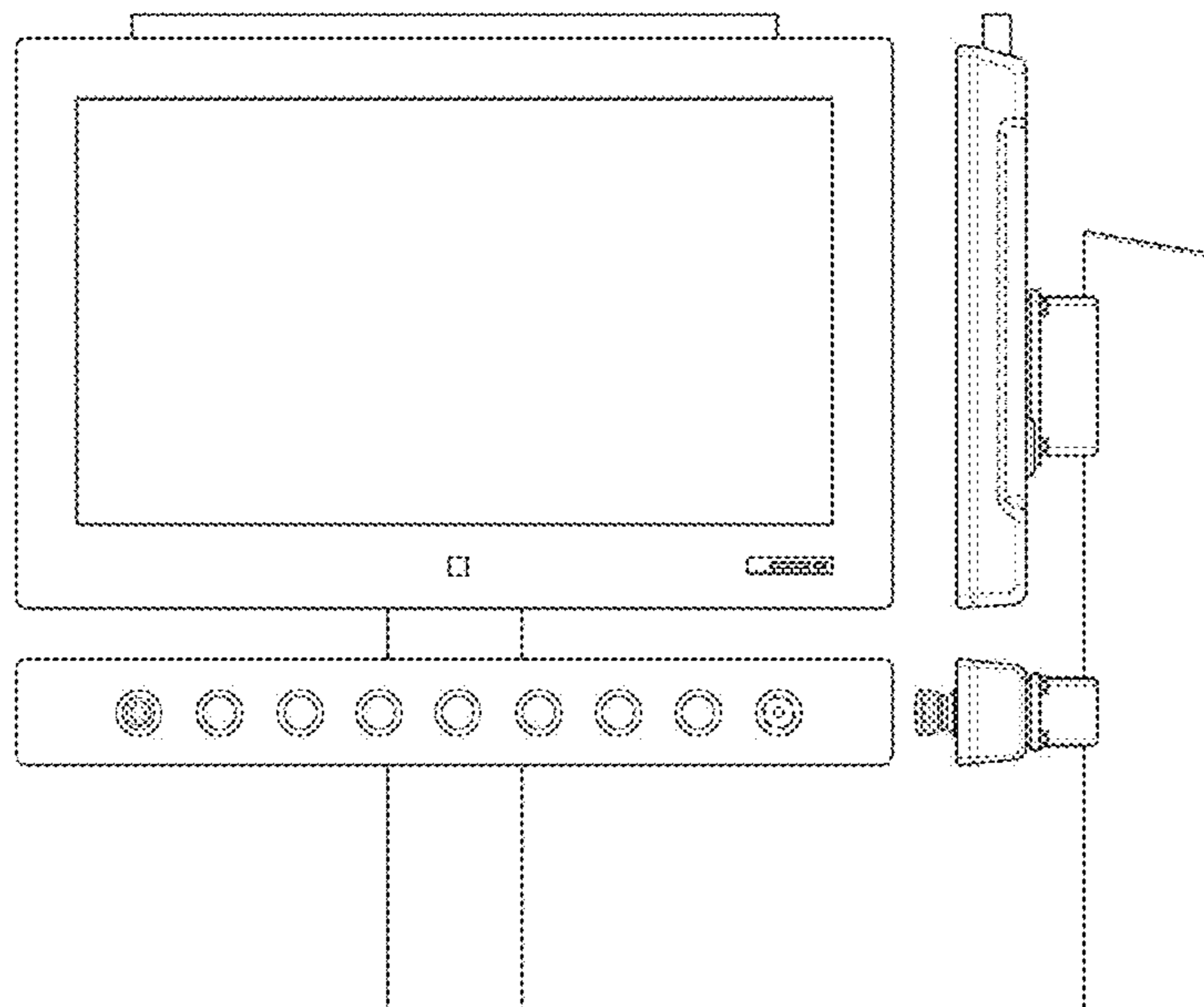
The ornamental design for a touchscreen monitor with operation element, as shown and described.

DESCRIPTION

FIG. 1 is a front view of a touchscreen monitor with operation element, of our new design;
 FIG. 2 is a rear view thereof;
 FIG. 3 is a right side view thereof;
 FIG. 4 is a left side view thereof;
 FIG. 5 is a top plan view thereof;
 FIG. 6 is a front perspective front view thereof; and,
 FIG. 7 is a rear perspective back view thereof.

The broken lines that are immediately adjacent to the claim depict the bounds of the claimed design, while all other broken lines are directed to environment. The broken lines form no part of the claimed design.

1 Claim, 7 Drawing Sheets



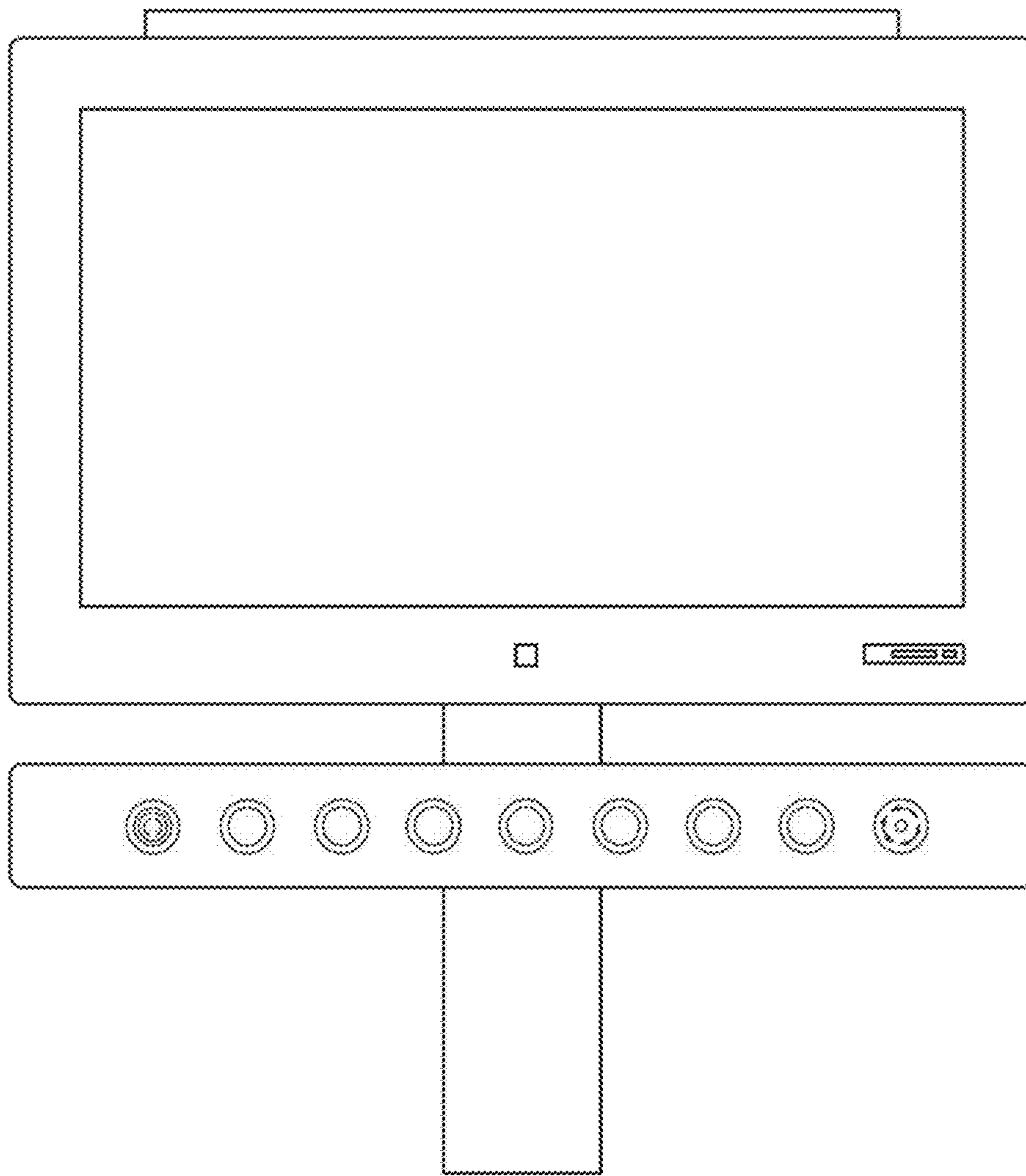


FIG. 1

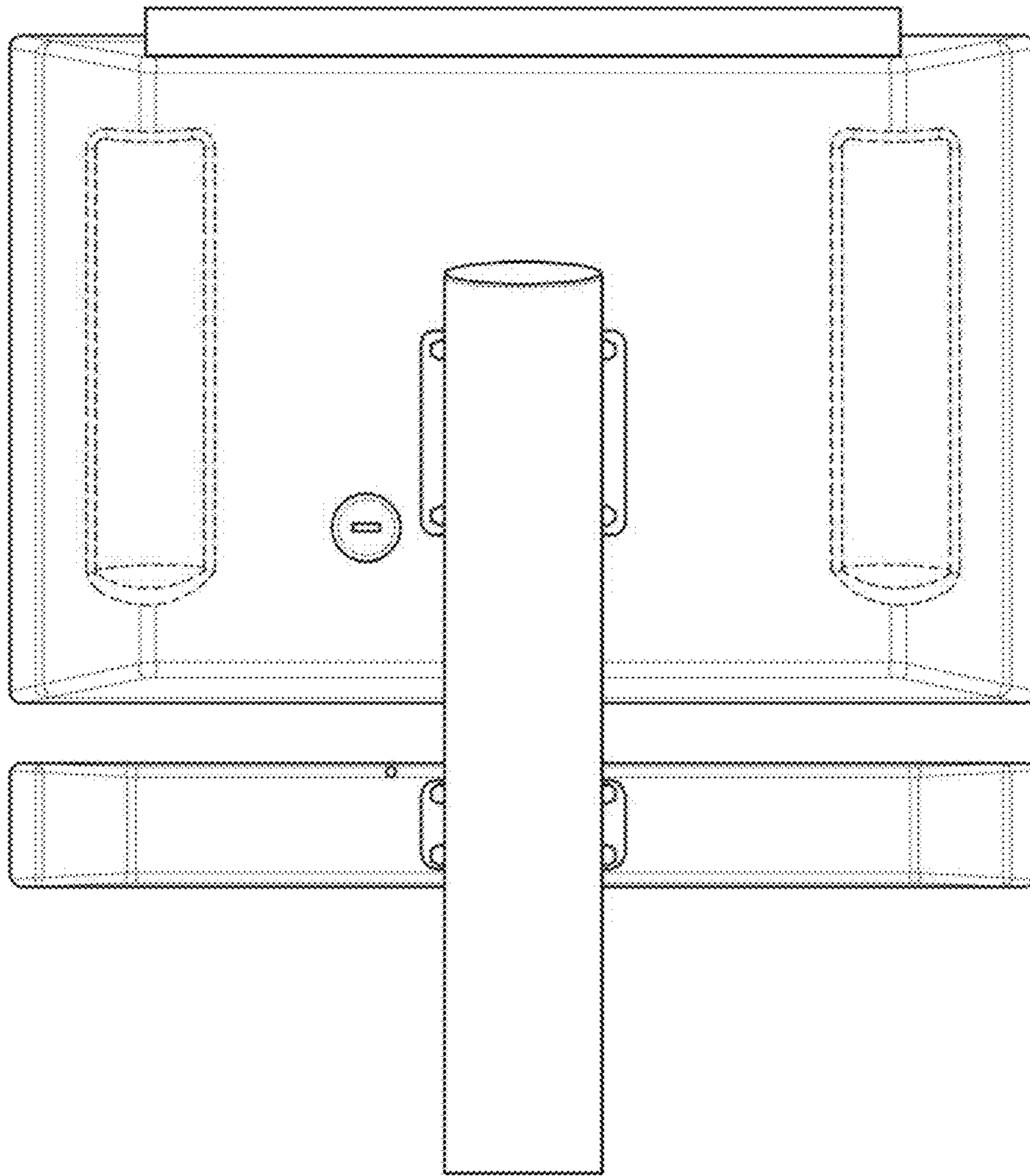


FIG. 2

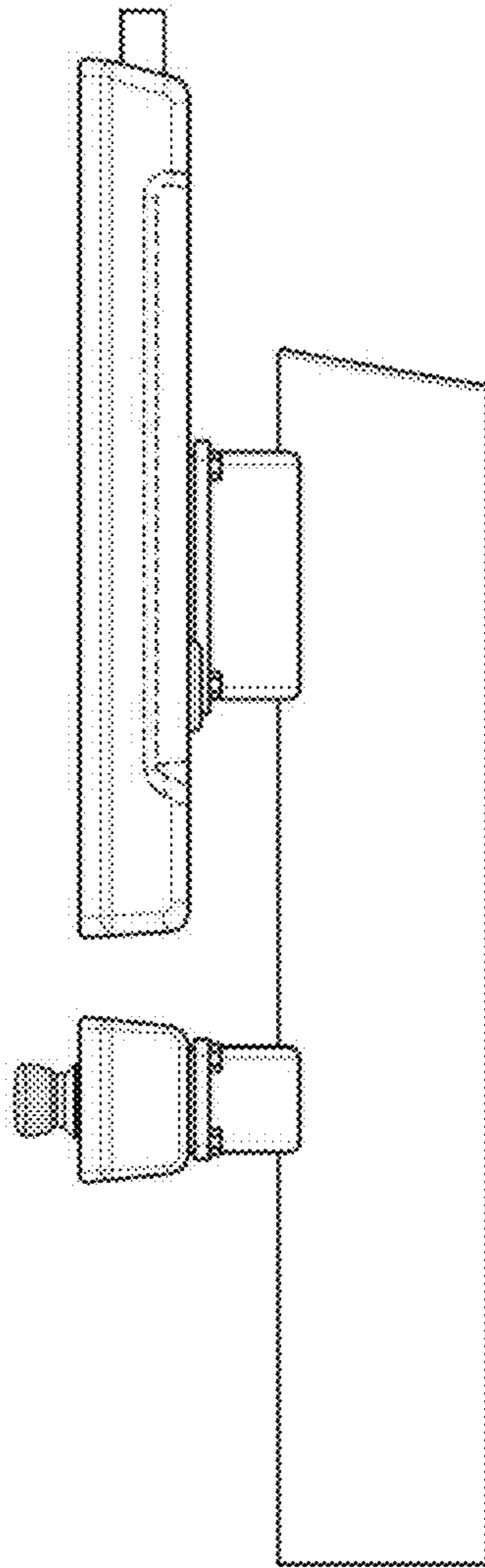


FIG. 3

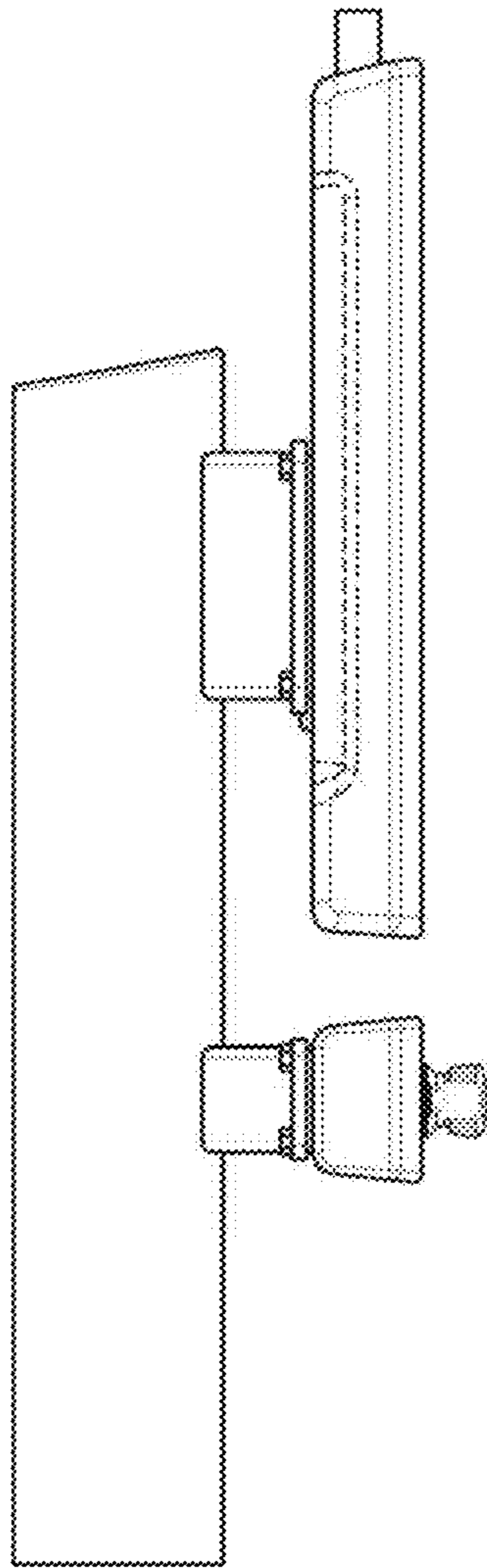


FIG. 4

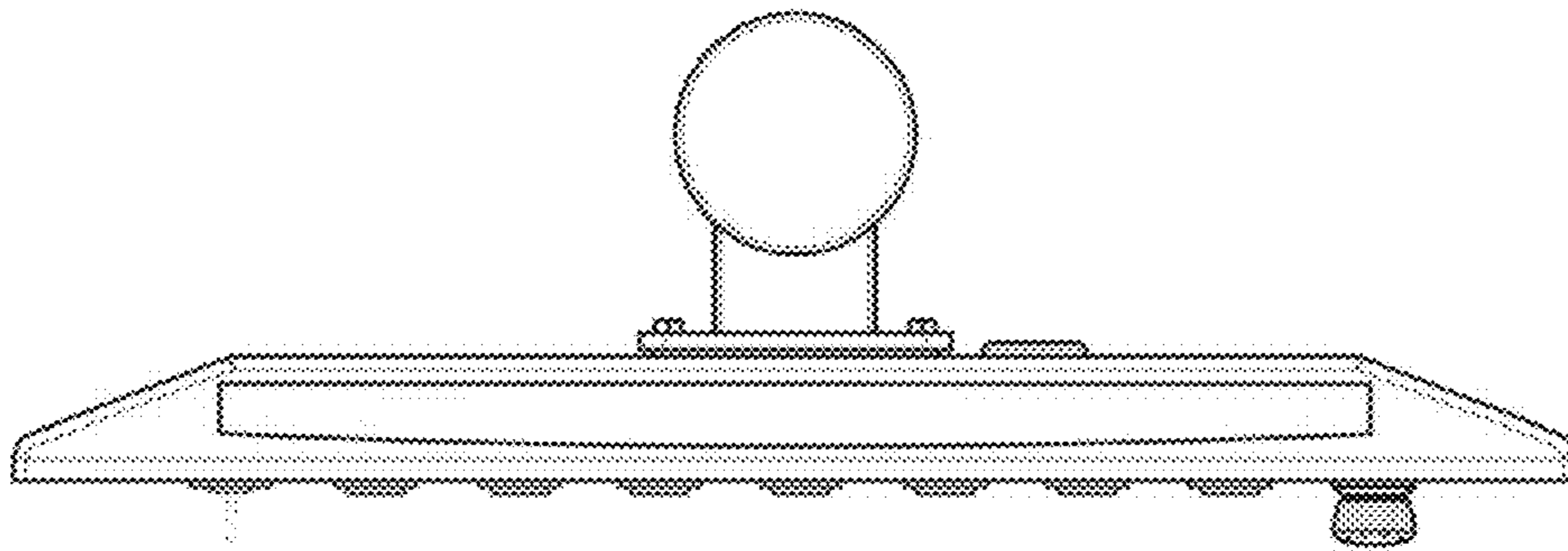


FIG. 5

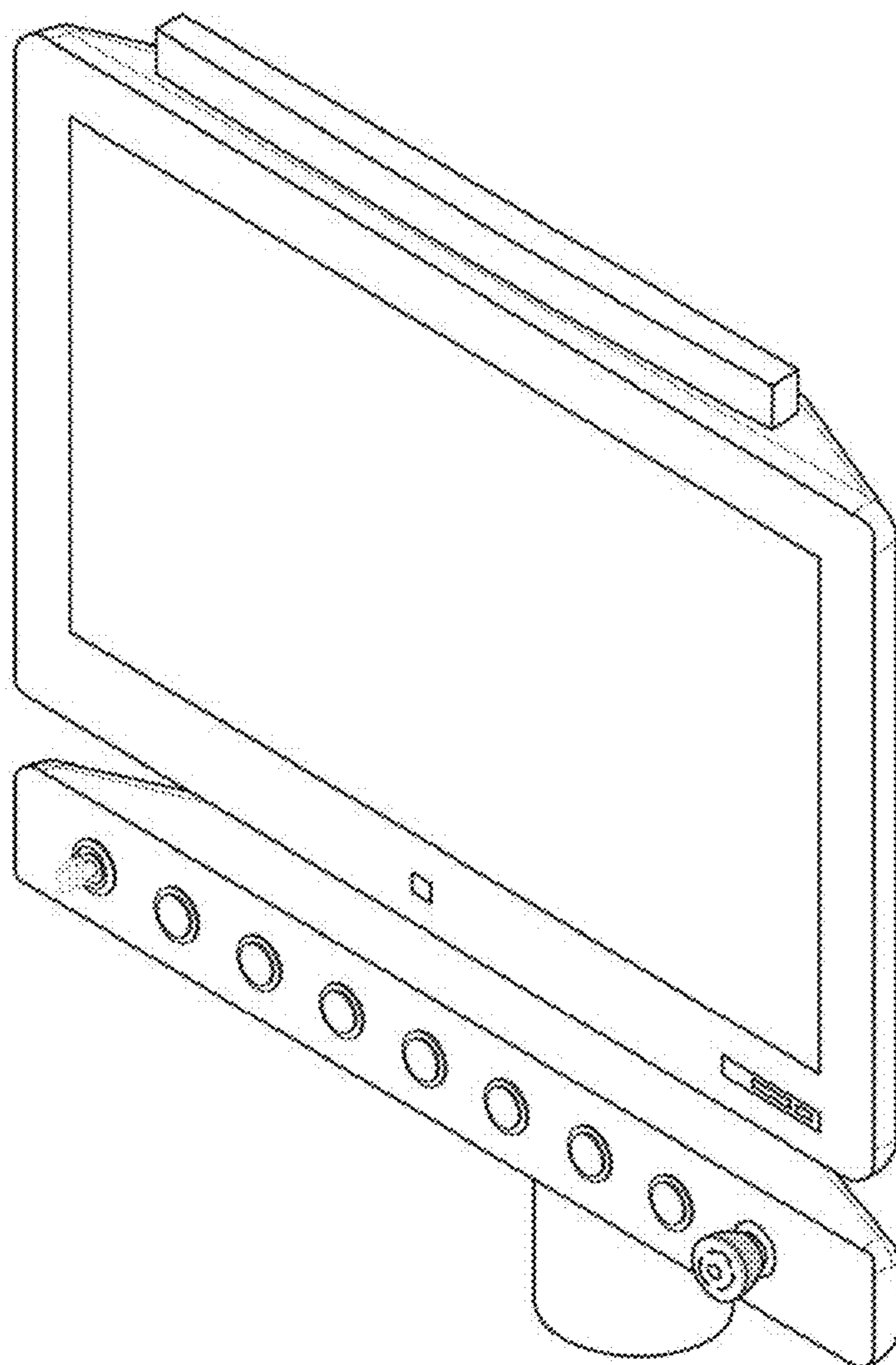


FIG. 6

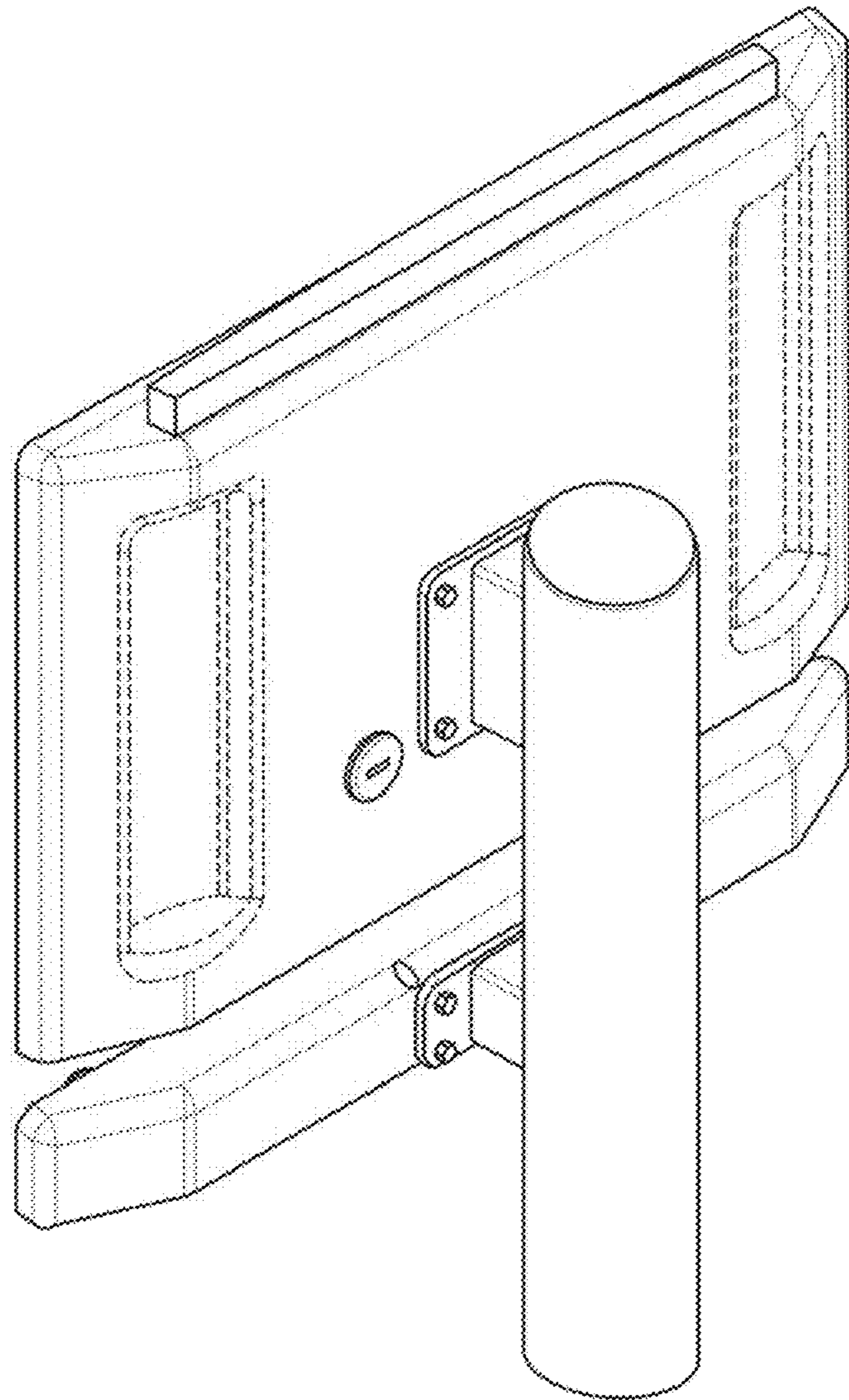


FIG. 7