



US00D898731S

(12) **United States Design Patent**  
**Moore et al.**

(10) **Patent No.:** **US D898,731 S**  
(45) **Date of Patent:** **\*\* Oct. 13, 2020**

- (54) **STAND FOR A DEVICE**
- (71) Applicant: **Amazon Technologies, Inc.**, Seattle, WA (US)
- (72) Inventors: **Jesse Wheeler Moore**, Oakland, CA (US); **Giles David Matthew McWilliam**, San Francisco, CA (US)
- (73) Assignee: **Amazon Technologies, Inc.**, Seattle, WA (US)
- (\*\*) Term: **15 Years**
- (21) Appl. No.: **29/719,741**
- (22) Filed: **Jan. 7, 2020**

**Related U.S. Application Data**

- (62) Division of application No. 29/684,846, filed on Mar. 25, 2019, now Pat. No. Des. 876,425.
- (51) **LOC (12) Cl.** ..... **14-03**
- (52) **U.S. Cl.**  
USPC ..... **D14/253**
- (58) **Field of Classification Search**  
USPC ..... D14/251–253, 358, 432, 434, 440, 447;  
D3/218; D16/242, 243; D12/415;  
D13/107, 108  
CPC ..... A45C 11/00; A45F 5/00; F16M 11/06  
See application file for complete search history.

**References Cited**

**U.S. PATENT DOCUMENTS**

- D589,964 S 4/2009 Heggland et al.
- D591,303 S 4/2009 Heggland et al.

- D602,913 S 10/2009 Han et al.
- D649,153 S 11/2011 Symons
- D687,441 S 8/2013 Janzen
- D687,832 S 8/2013 Edwards et al.
- D716,133 S 10/2014 Pan
- D719,146 S 12/2014 Herbst et al.
- D725,093 S 3/2015 Sun et al.
- D765,070 S 8/2016 Franklin
- D771,616 S 11/2016 Bo
- D784,978 S 4/2017 Hobbs et al.
- D799,468 S 10/2017 Chen
- D825,548 S 8/2018 Lebovitz
- D834,028 S 11/2018 Wu
- D876,425 S \* 2/2020 Moore ..... D14/253
- D879,106 S \* 3/2020 Mecchella ..... D14/447
- D879,107 S \* 3/2020 Moore ..... D14/447

\* cited by examiner

*Primary Examiner* — Janice Hallmark

(74) *Attorney, Agent, or Firm* — Lee & Hayes, P.C.

(57) **CLAIM**

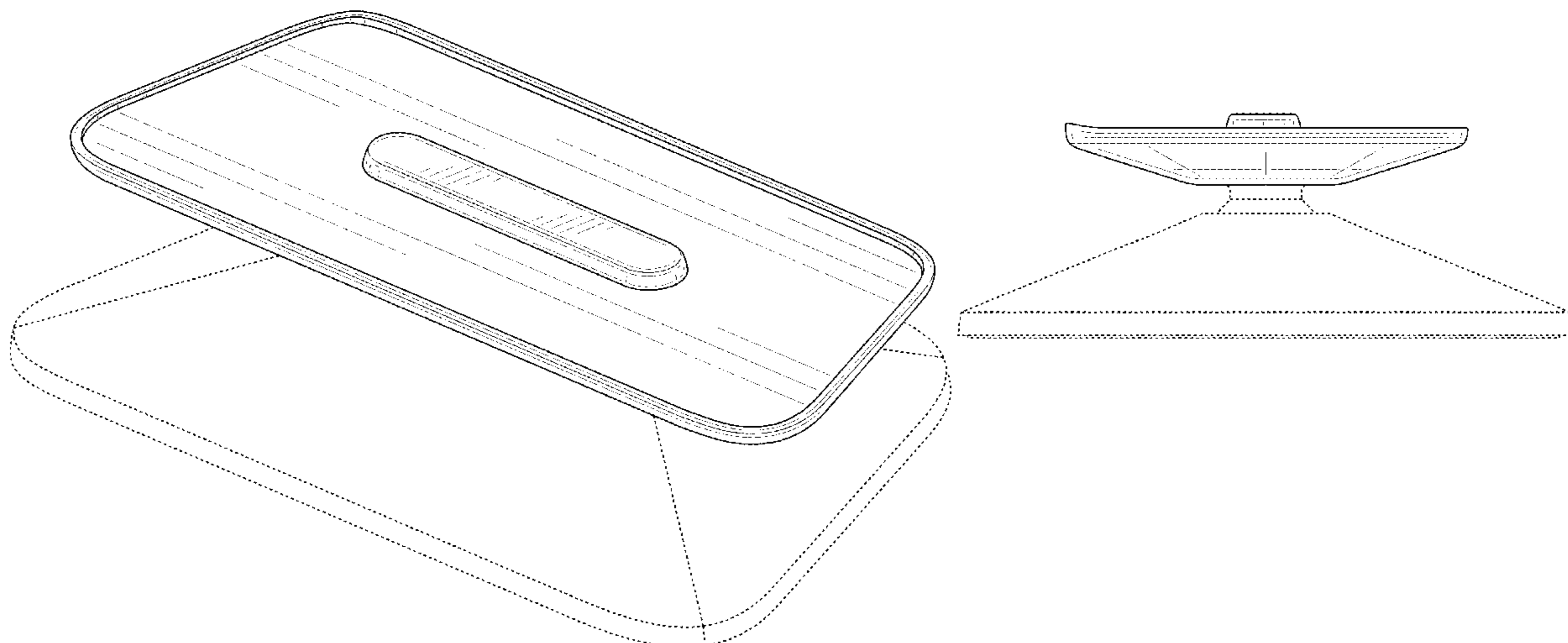
The ornamental design for a stand for a device, as shown and described.

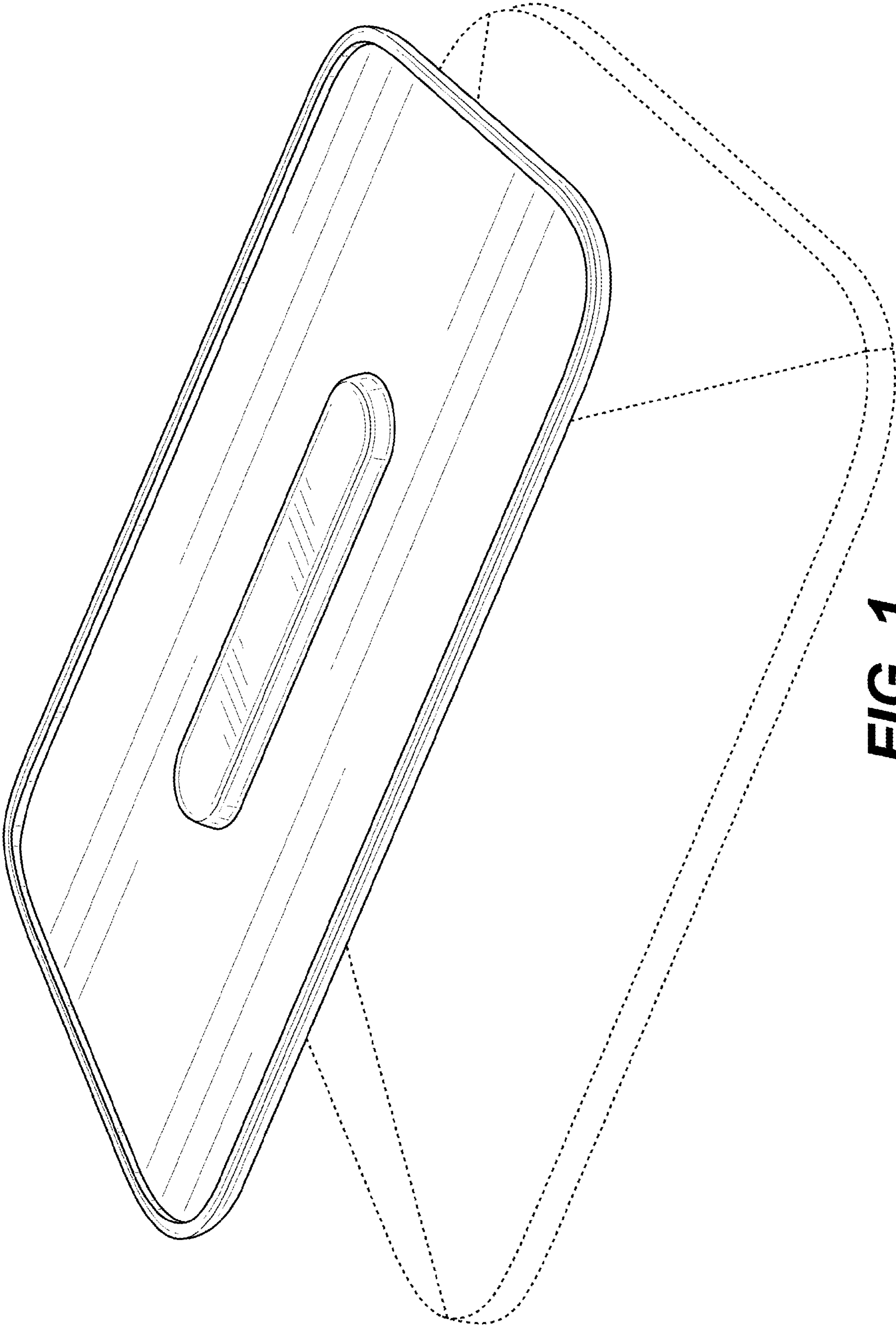
**DESCRIPTION**

FIG. 1 is a top perspective view of a stand for a device;  
 FIG. 2 is a front view thereof;  
 FIG. 3 is a back view thereof;  
 FIG. 4 is a left-side view thereof;  
 FIG. 5 is a right-side view thereof;  
 FIG. 6 is a top view thereof; and,  
 FIG. 7 is a bottom view thereof.

The broken lines depict portions of the stand for a device that form no part of the claimed design.

**1 Claim, 7 Drawing Sheets**





**FIG. 1**

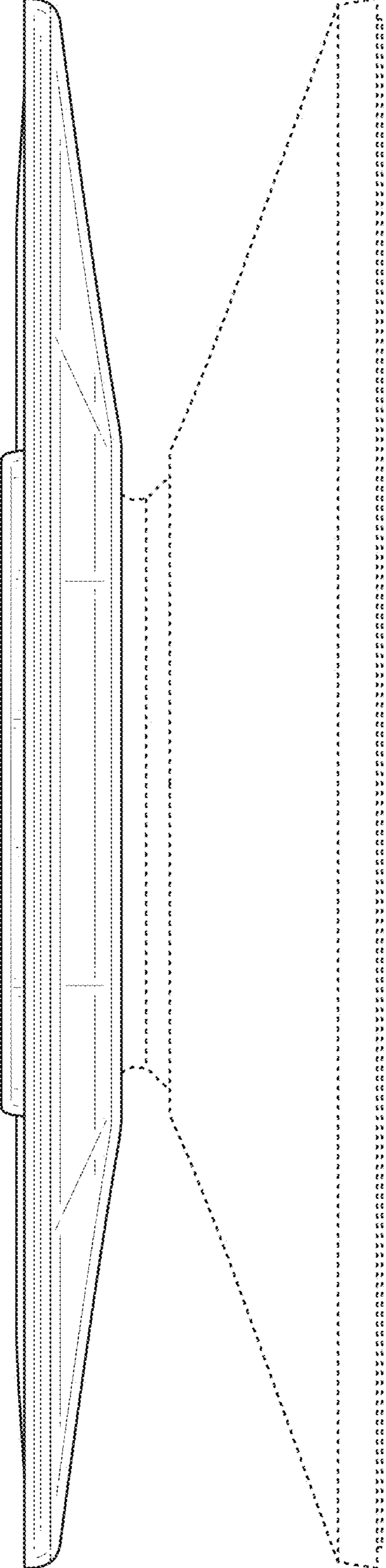
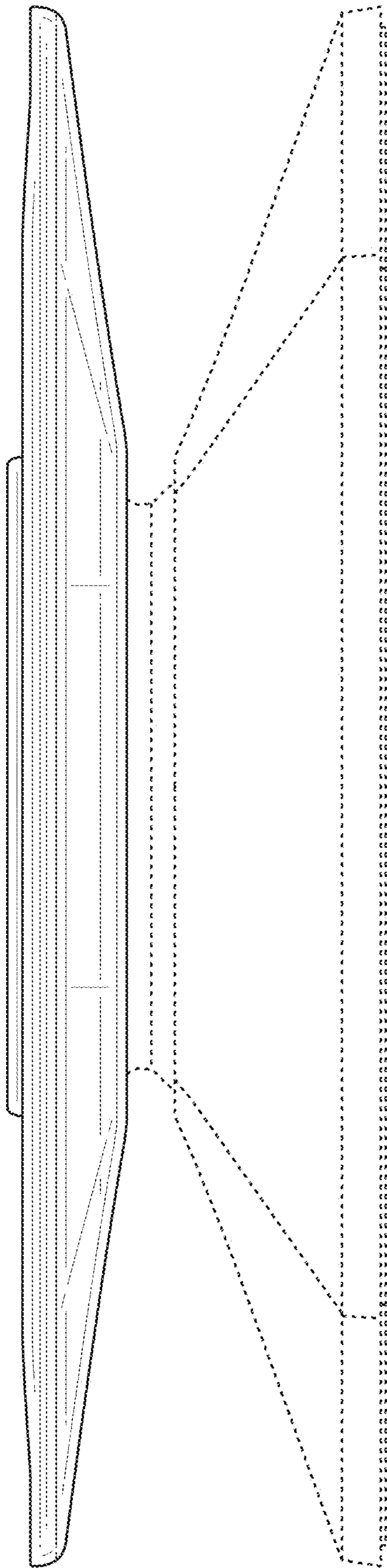
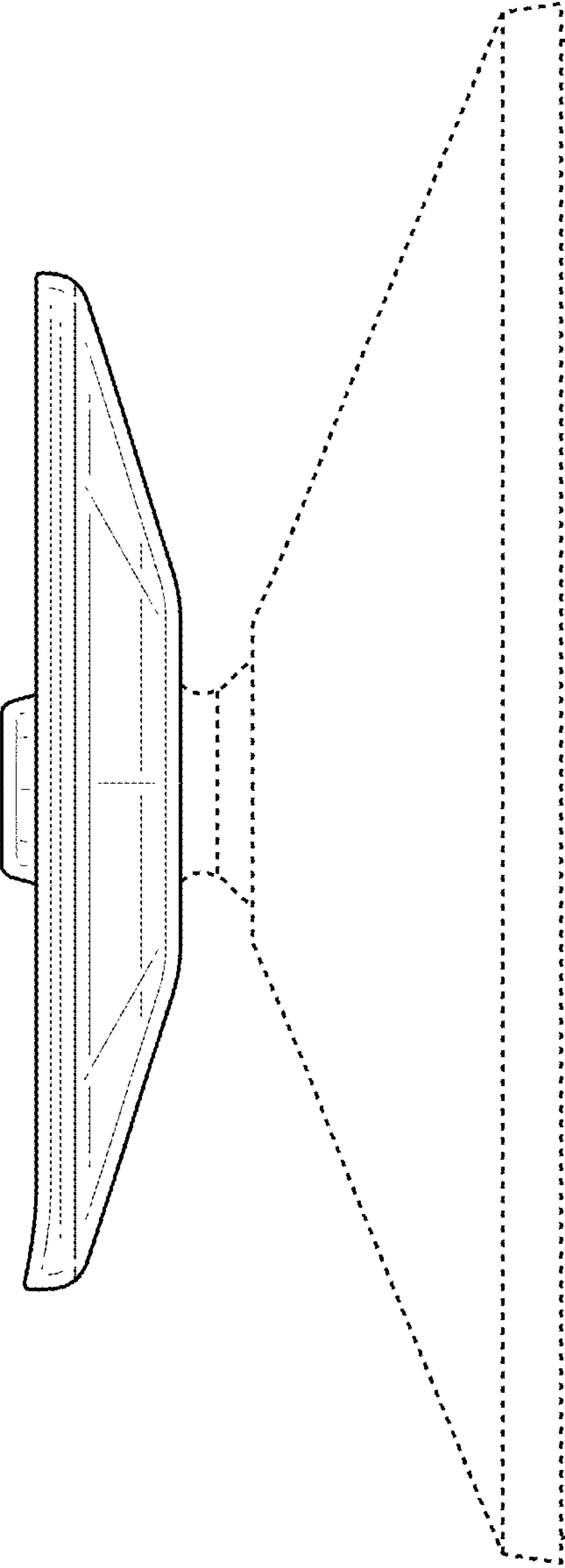


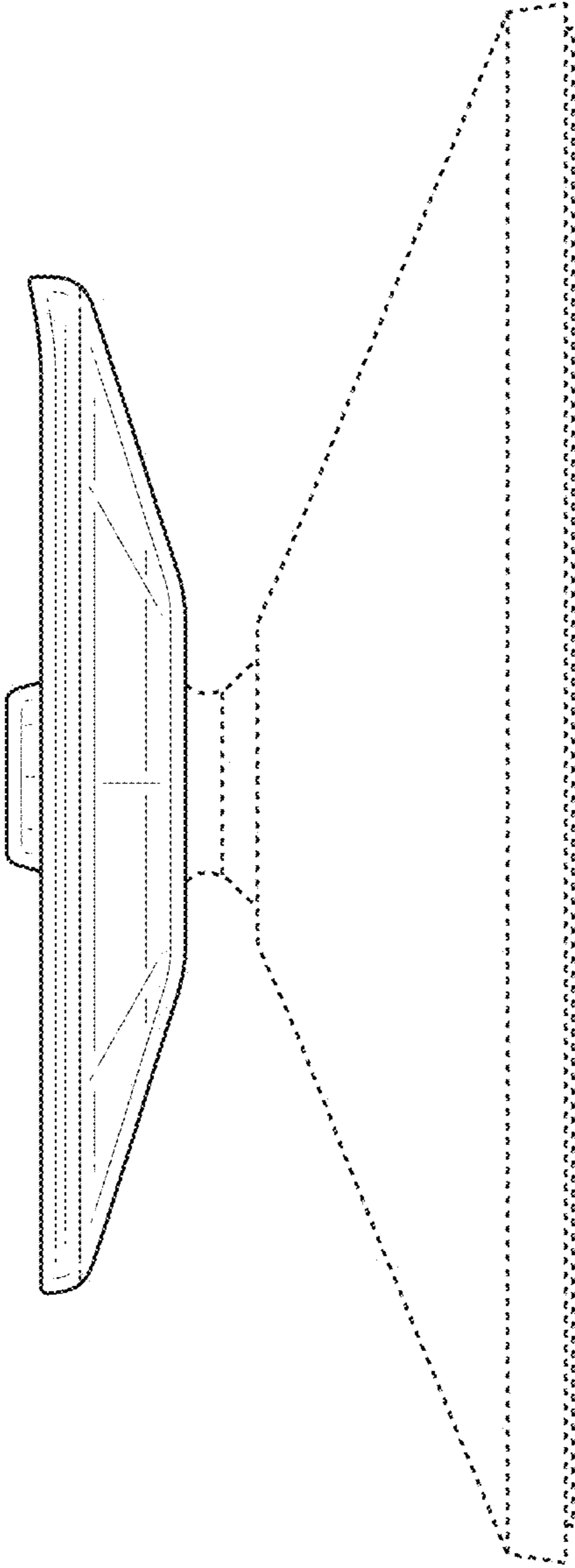
FIG. 2



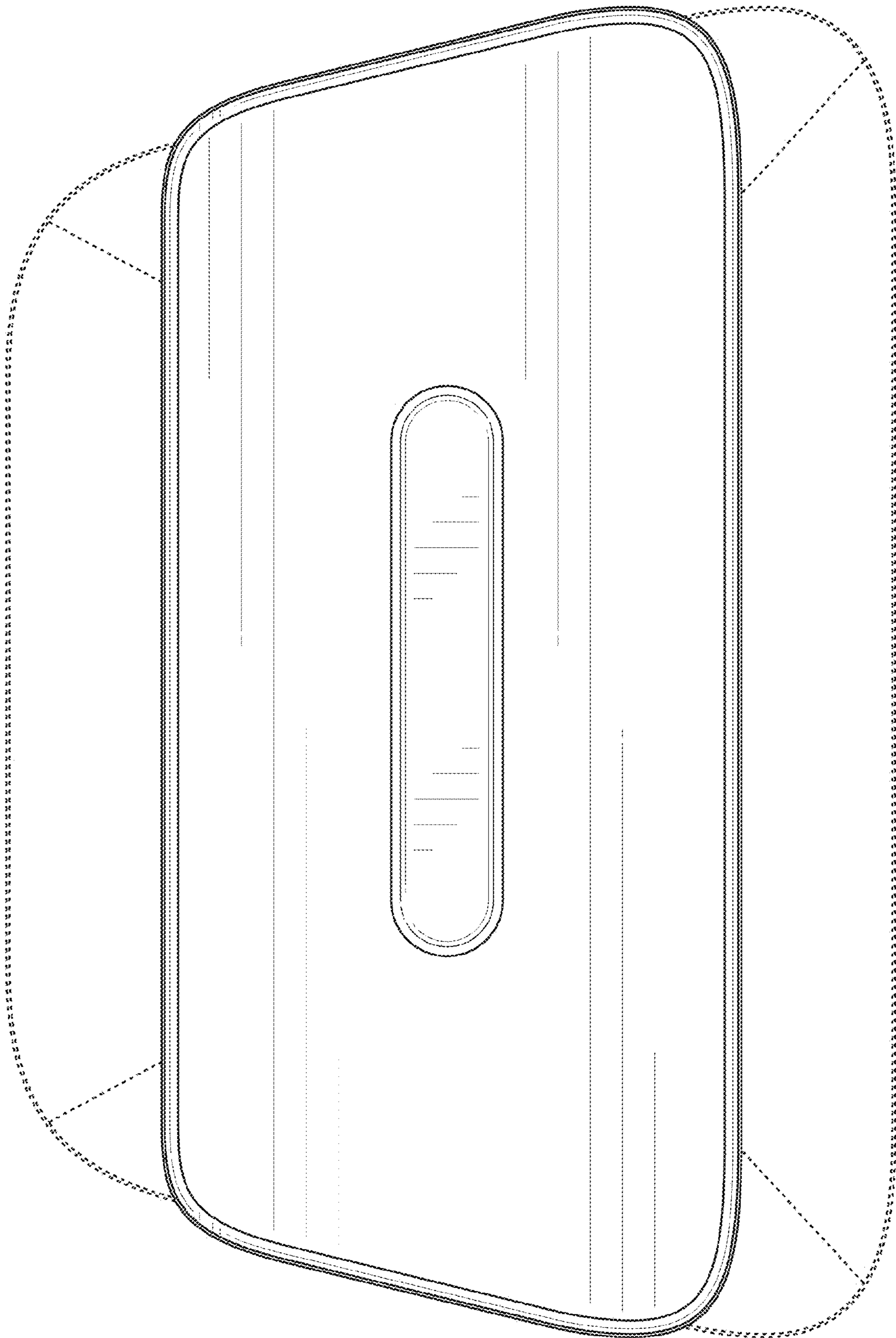
**FIG. 3**



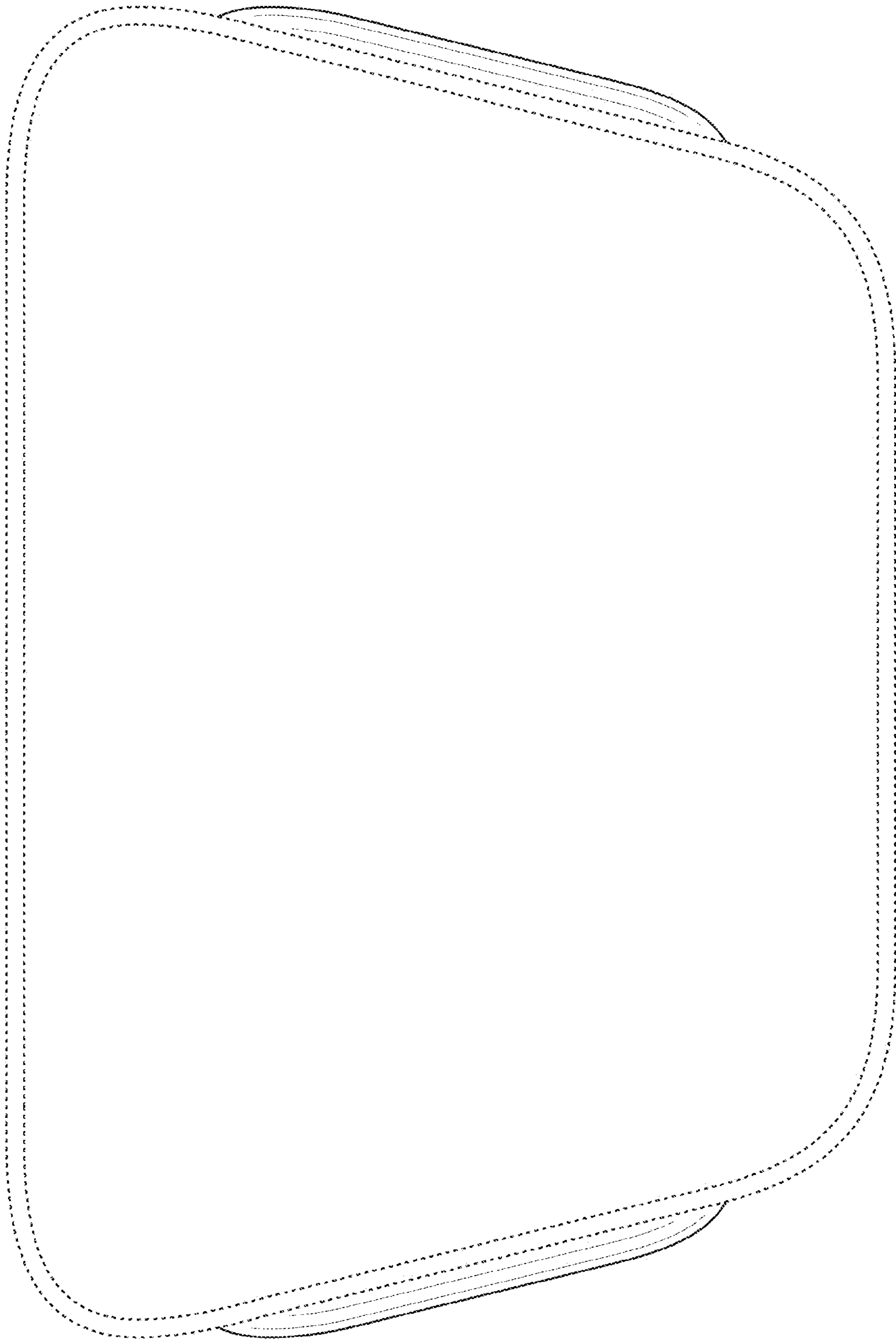
**FIG. 4**



**FIG. 5**



**FIG. 6**



**FIG. 7**