



US00D898730S

(12) **United States Design Patent**
Comelek

(10) **Patent No.:** **US D898,730 S**

(45) **Date of Patent:** **** Oct. 13, 2020**

(54) **PHONE HOLDER**

(71) Applicant: **Robert Comelek**, Crestview, FL (US)

(72) Inventor: **Robert Comelek**, Crestview, FL (US)

(**) Term: **15 Years**

(21) Appl. No.: **29/691,522**

(22) Filed: **May 16, 2019**

(51) **LOC (12) Cl.** **14-03**

(52) **U.S. Cl.**
USPC **D14/253**

(58) **Field of Classification Search**
USPC D14/251-253, 447, 452, 432-434, 440;
D12/415; D3/218
CPC H04M 1/02; H04M 1/04; B60R 11/02;
F16M 11/00; F16M 11/04; F16M 11/06;
F16M 13/02; F16M 13/00; H05K 7/00;
H05K 5/02; A47G 1/17
See application file for complete search history.

(56) **References Cited**

U.S. PATENT DOCUMENTS

D705,211 S *	5/2014	Huang	D14/253
D733,697 S *	7/2015	Palan	D14/253
D738,873 S *	9/2015	Kim	D14/253
D840,388 S *	2/2019	Wieth	D14/251
D840,994 S *	2/2019	Balmer	D14/253
D840,995 S *	2/2019	Balmer	D14/253

D852,560 S *	7/2019	Cochrane	D6/682.3
D854,006 S *	7/2019	Wang	D14/253
D873,205 S *	1/2020	MacNeil	D12/415
D877,043 S *	3/2020	MacNeil	D12/415
10,576,905 B1 *	3/2020	MacNeil	B60R 11/0241
D881,201 S *	4/2020	Lou	D14/447
D883,274 S *	5/2020	Liu	D14/253

* cited by examiner

Primary Examiner — Janice Hallmark

(74) *Attorney, Agent, or Firm* — AdamsIP, LLC; J. Hunter Adams

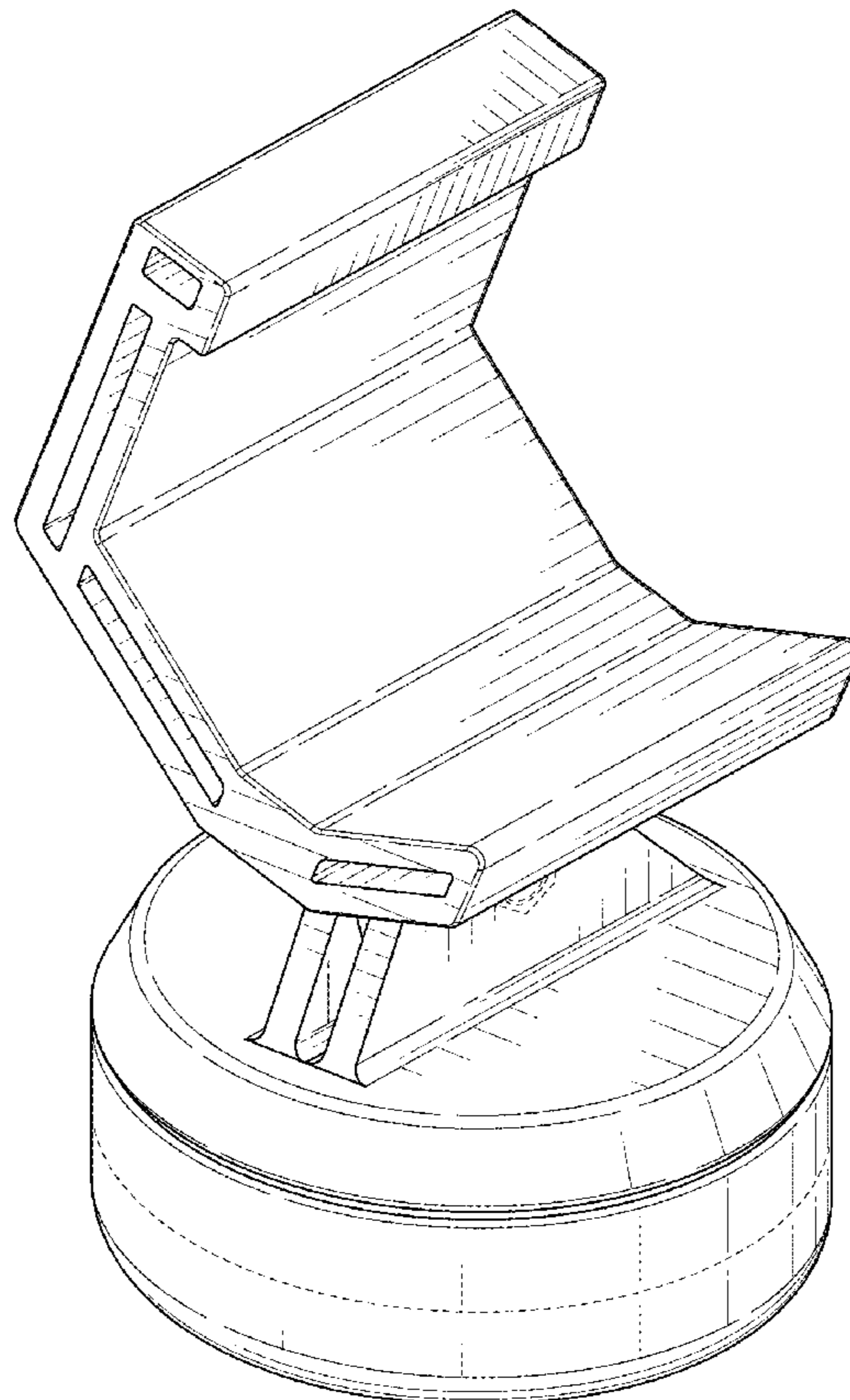
(57) **CLAIM**

The ornamental design for a phone holder, as shown and described.

DESCRIPTION

FIG. 1 is a front perspective view of a phone holder showing the claimed design;
FIG. 2 is a front elevational view thereof;
FIG. 3 is a back elevational view thereof;
FIG. 4 is a left side elevational view thereof, the right side elevational view being a mirror image thereof;
FIG. 5 is a top plan view thereof; and,
FIG. 6 is a bottom plan view thereof.
The broken lines in the Figures show portions of the phone holder which form no part of the claimed design.

1 Claim, 5 Drawing Sheets



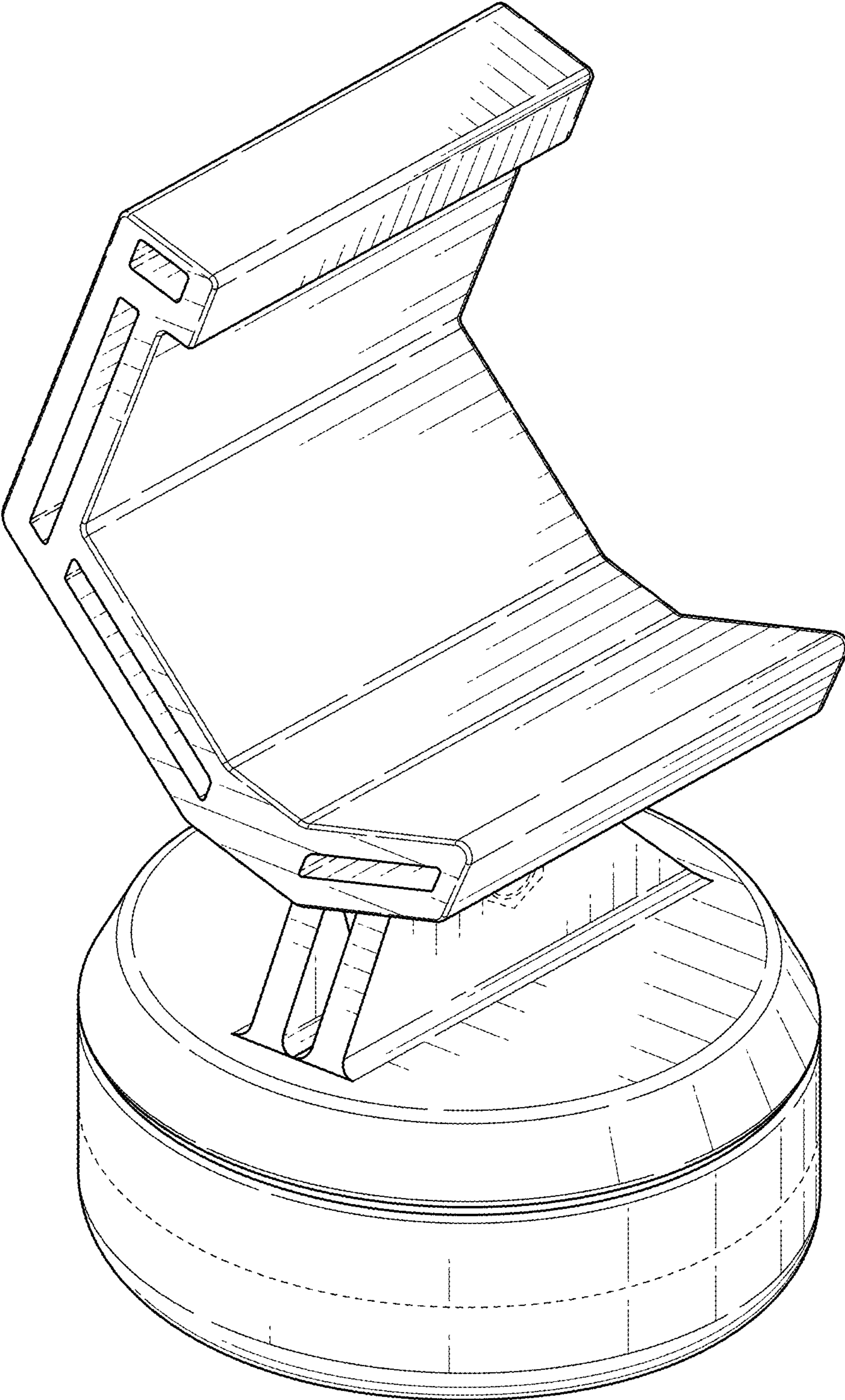


FIG. 1

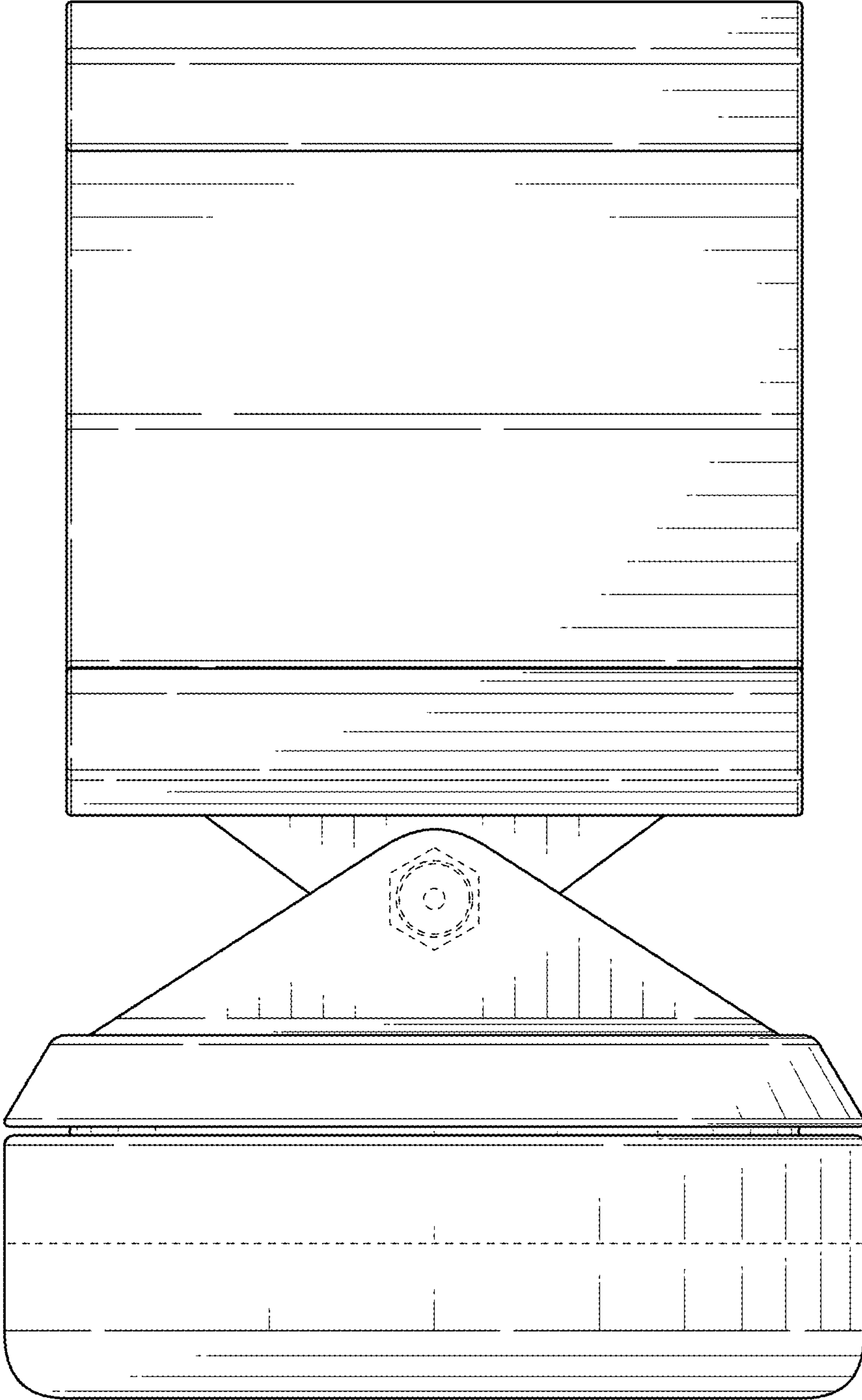


FIG. 2

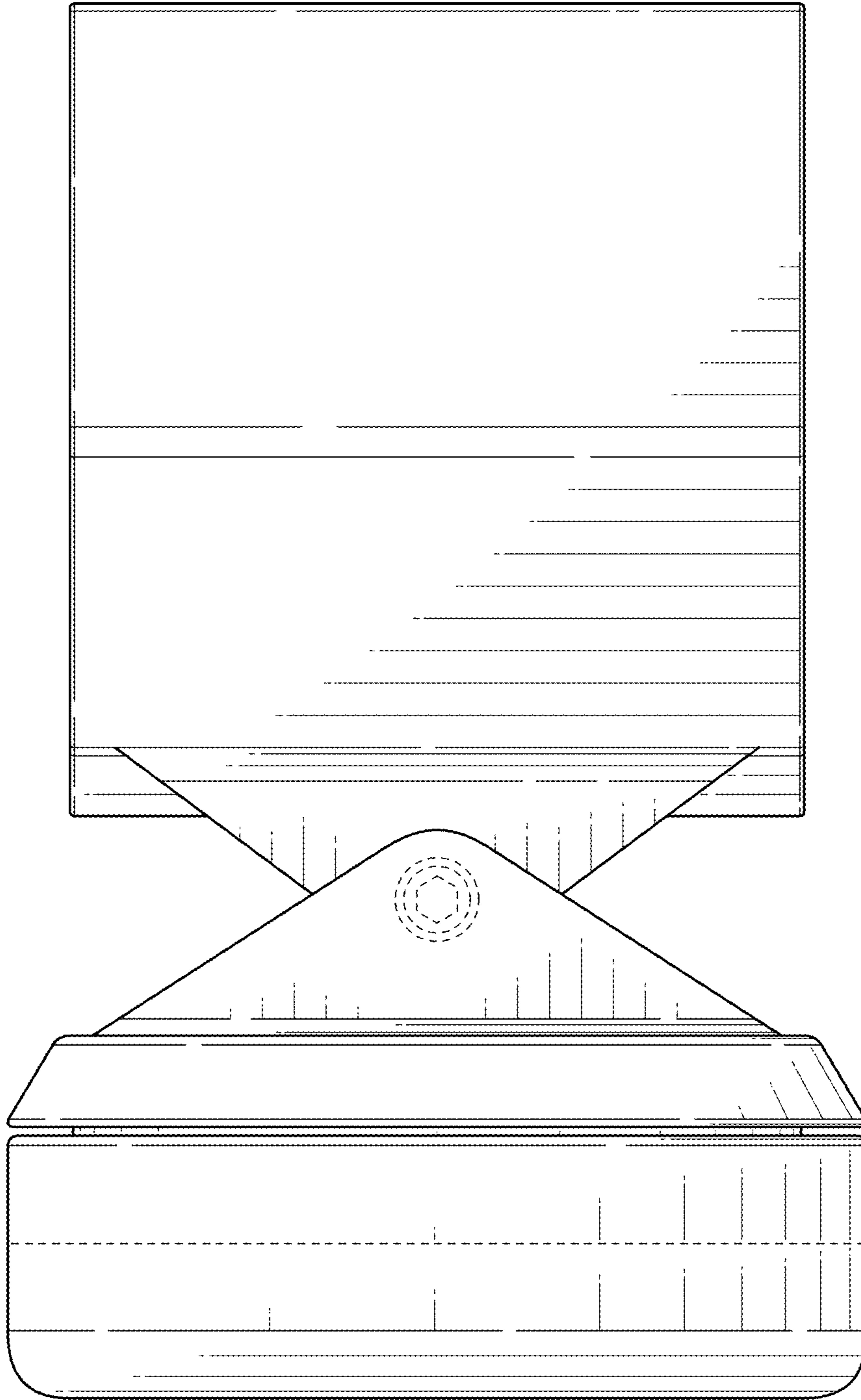


FIG. 3

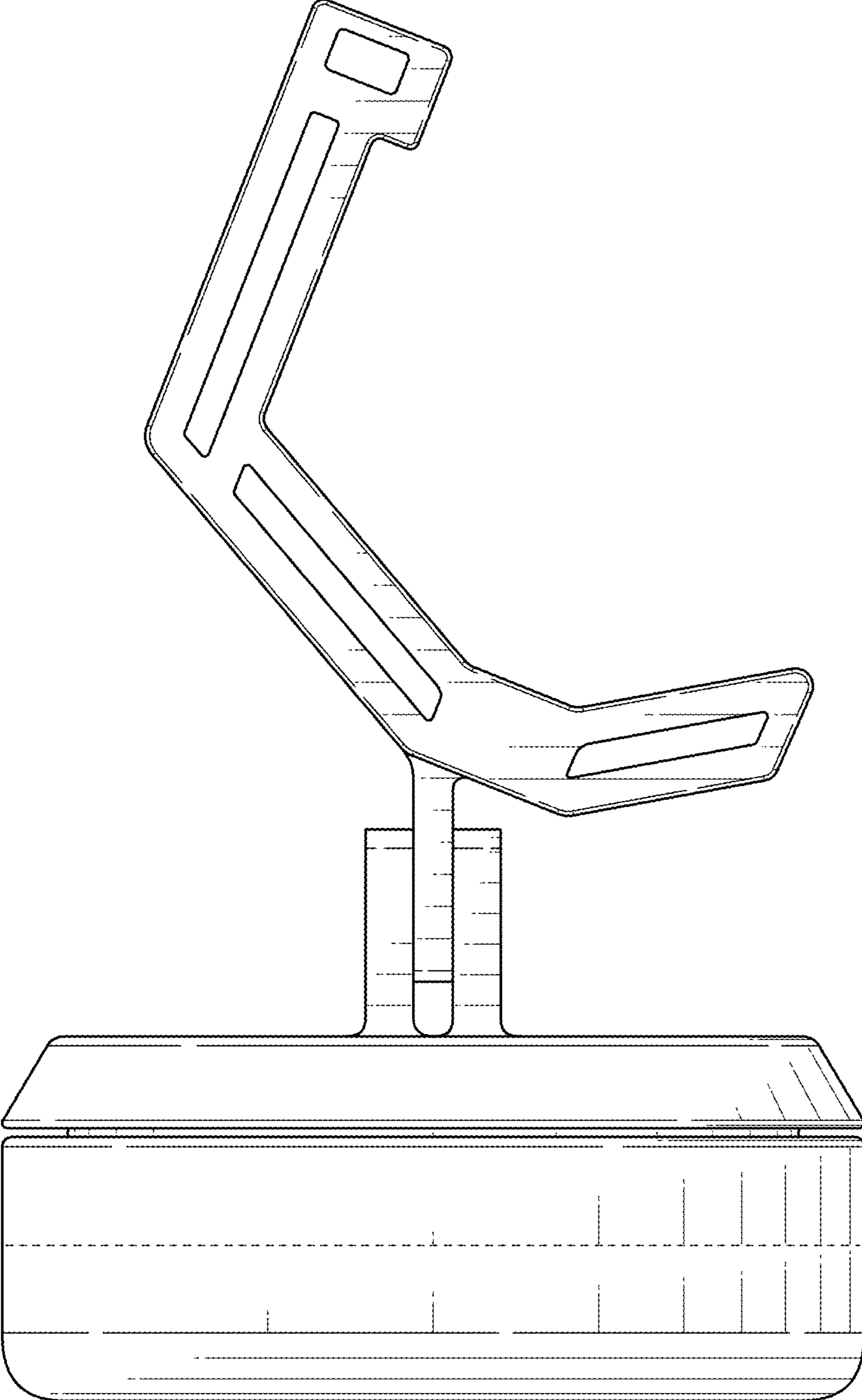


FIG. 4

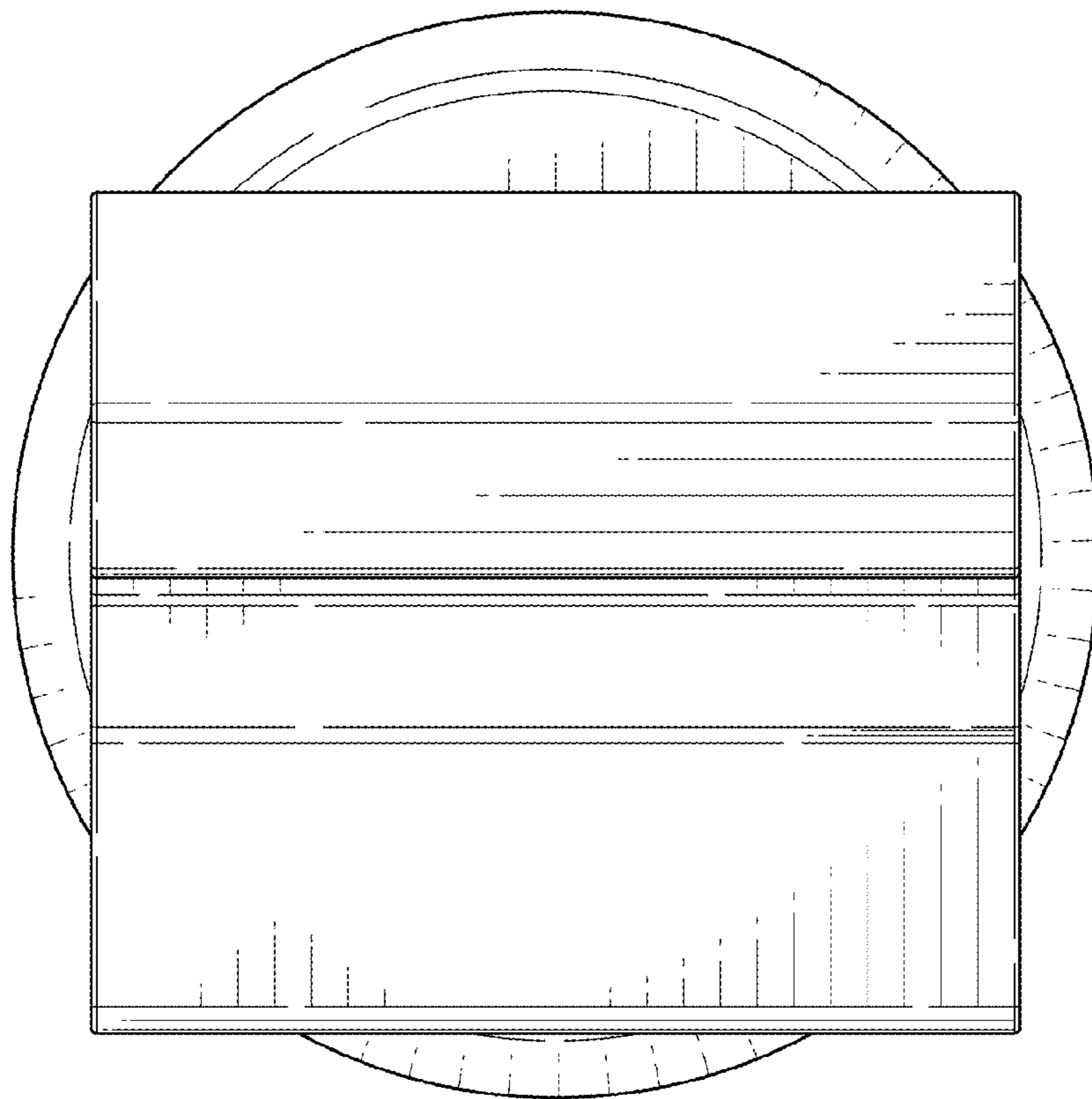


FIG. 5

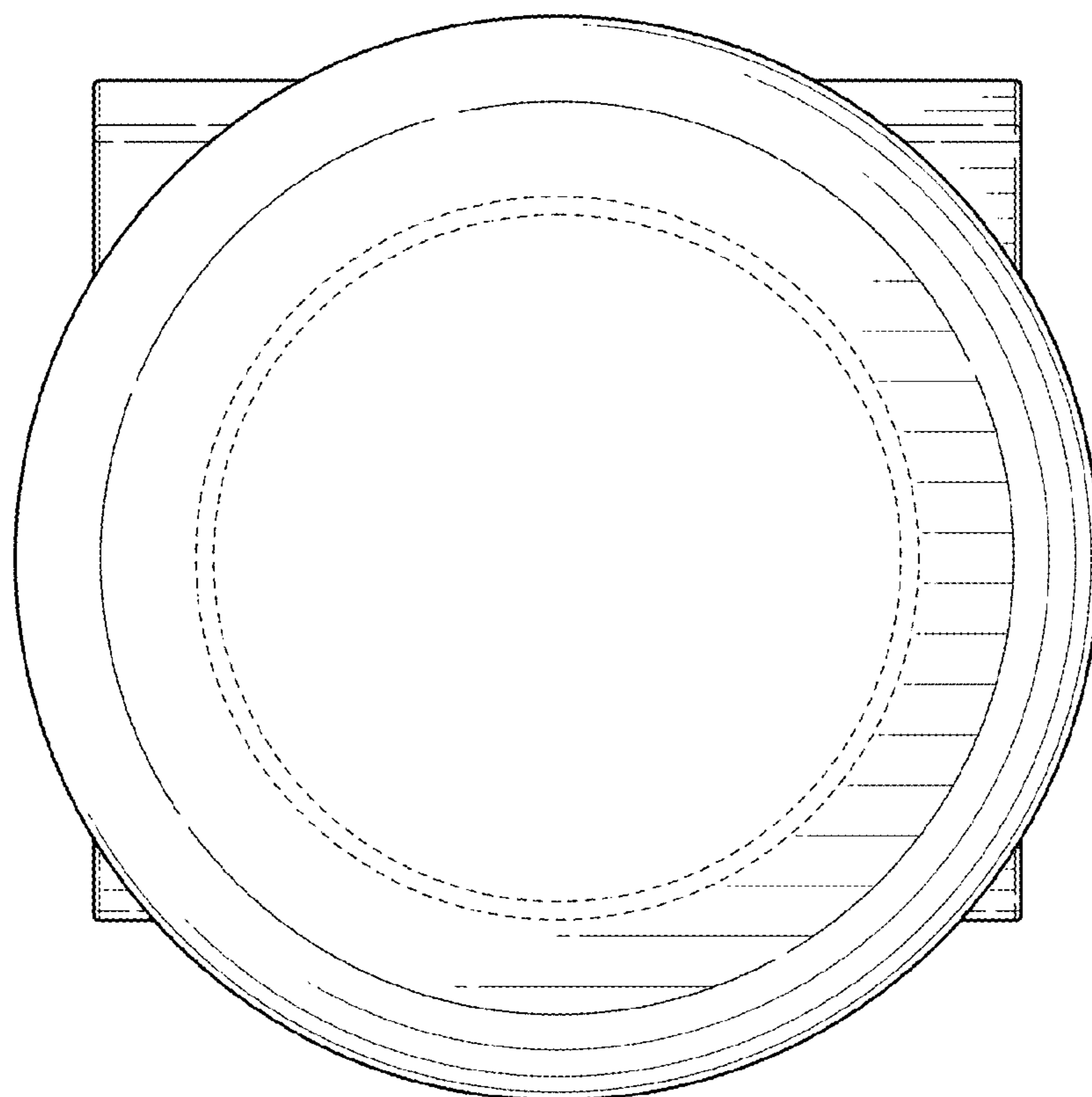


FIG. 6