



US00D898729S

(12) **United States Design Patent** (10) **Patent No.:** **US D898,729 S**
Leeds Frank et al. (45) **Date of Patent:** **** Oct. 13, 2020**

(54) **COMBINED MOUNT AND HOLDER FOR MOBILE DEVICE**

(71) Applicant: **iOttie, Inc.**, New York, NY (US)

(72) Inventors: **Jeremy Leeds Frank**, Mineola, NY (US); **Thomas Michael Katsikas**, Brooklyn, NY (US)

(73) Assignee: **iOttie, Inc.**, New York, NY (US)

(**) Term: **15 Years**

(21) Appl. No.: **29/656,771**

(22) Filed: **Jul. 16, 2018**

(51) **LOC (12) Cl.** **14-99**

(52) **U.S. Cl.**
USPC **D14/253**; D12/415

(58) **Field of Classification Search**
USPC D14/250–254, 224, 224.1, 238.1, 434, D14/447, 451, 452, 483; D12/400, D12/415–418, 420, 426.1, 114, 223; D16/242, 245; D10/74; D3/218; D13/107, 108

CPC B60R 11/00; B60R 11/02; B60R 11/0241; B60R 11/0252; B60R 2011/0003; B60R 2011/0005; B60R 2011/0008; H04M 1/04; H04B 1/3877; A45F 2200/0516; A45F 2200/0525; H05K 5/0204; F16M 13/02; F16M 13/022; F16M 11/04; F16M 11/041; F16M 11/14; F16M 11/22; F16B 2/12; H01F 7/0252; G03B 17/561

See application file for complete search history.

(56) **References Cited**

U.S. PATENT DOCUMENTS

D716,215 S * 10/2014 Dunn D12/415
D780,169 S * 2/2017 Du D14/253
D790,436 S * 6/2017 Du D12/415

D831,661 S * 10/2018 Yao D14/447
D831,666 S * 10/2018 Yao D14/447
D832,247 S * 10/2018 Sukphist D14/253
D845,309 S * 4/2019 Goldstein D14/447
D848,443 S * 5/2019 Yao D14/447
D849,012 S * 5/2019 Yao D14/447
2016/0229352 A1* 8/2016 Zhang B60R 11/02
2016/0288730 A1* 10/2016 Lee B60R 11/02

(Continued)

OTHER PUBLICATIONS

iOttie iTap Magnetic 2—Magnetic Phone Mount Series, YouTube online, post date Dec. 5, 2018, URL: <https://www.youtube.com/watch?v=rGDsdDn-Fgc>, retrieved Nov. 6, 2019.*

(Continued)

Primary Examiner — Jeffrey D Asch

Assistant Examiner — Rebekah A Caruso

(74) *Attorney, Agent, or Firm* — Lucas & Mercanti, LLP

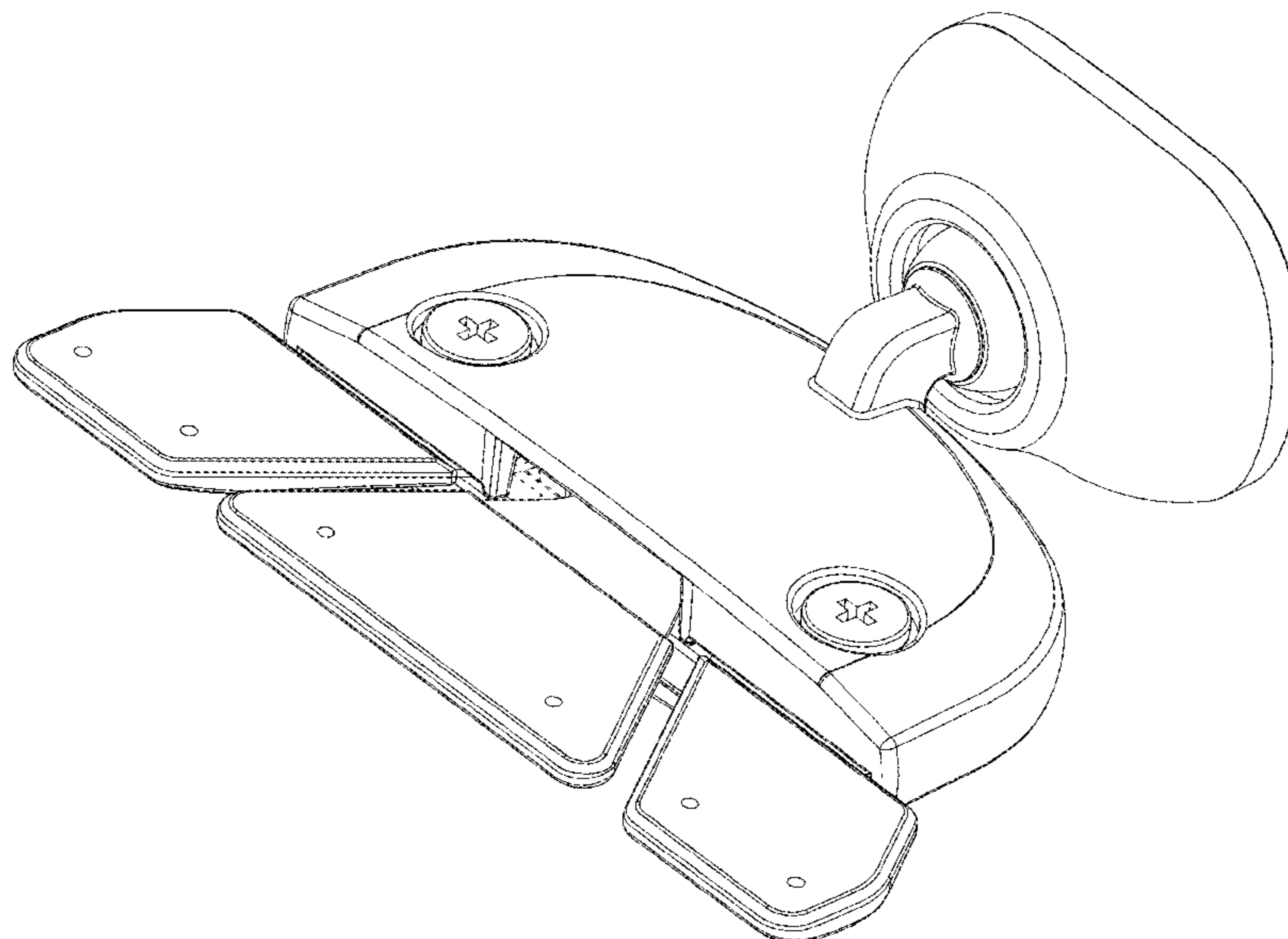
(57) **CLAIM**

The ornamental design for a combined mount and holder for mobile device, as shown and described.

DESCRIPTION

FIG. 1 is a front view of our new design for a combined mount and holder for mobile device;
FIG. 2 is a left side view thereof, wherein the right side is a mirror image;
FIG. 3 is a rear view thereof;
FIG. 4 is a top view thereof;
FIG. 5 is a bottom view thereof;
FIG. 6 is a rear right top perspective view thereof;
FIG. 7 is a front left bottom perspective view thereof;
FIG. 8 is a rear left bottom perspective view thereof; and,
FIG. 9 is a front right top perspective view thereof.
The portions of the article shown in broken lines form no part of the claimed design.

1 Claim, 9 Drawing Sheets



(56)

References Cited

U.S. PATENT DOCUMENTS

2016/0318455 A1* 11/2016 Zhang F16M 11/105
2018/0022291 A1* 1/2018 Fan B60R 11/02
224/483

OTHER PUBLICATIONS

iOttie iTap Magnetic CD Slot Premium Car Mount Holder, Amazon
online, review with picture posted Jun. 10, 2016, URL: [https://
www.amazon.com/iOttie-Magnetic-Premium-Holder-Samsung/dp/
B01DDTDKF6](https://www.amazon.com/iOttie-Magnetic-Premium-Holder-Samsung/dp/B01DDTDKF6), retrieved Nov. 7, 2019.*

* cited by examiner

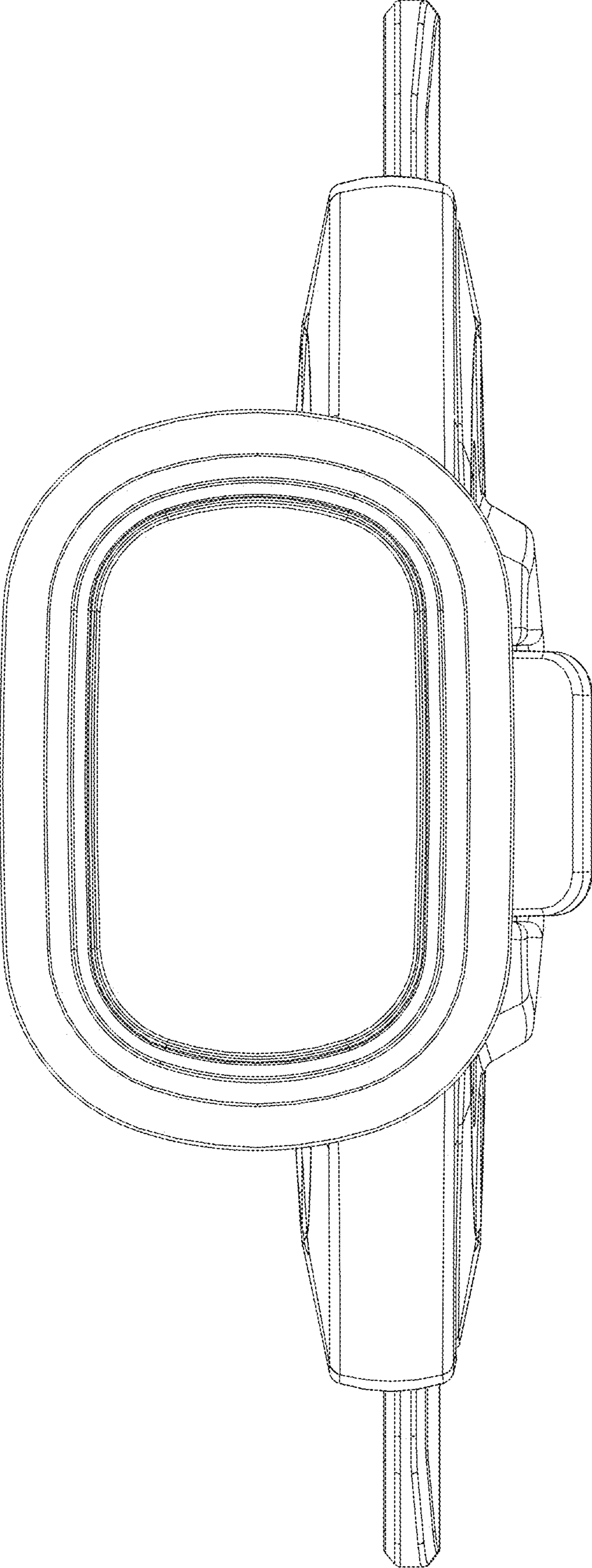


FIG. 1

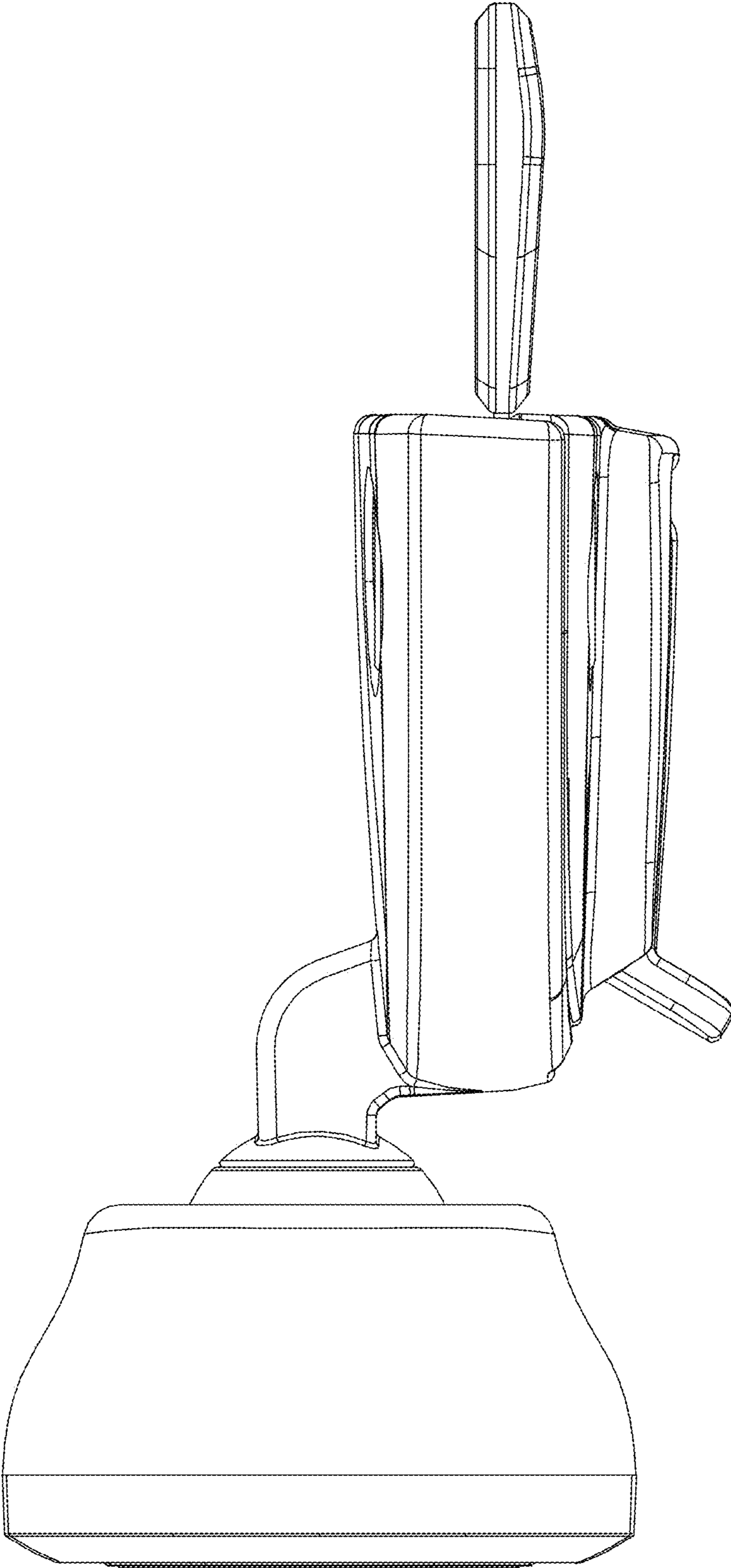


FIG. 2

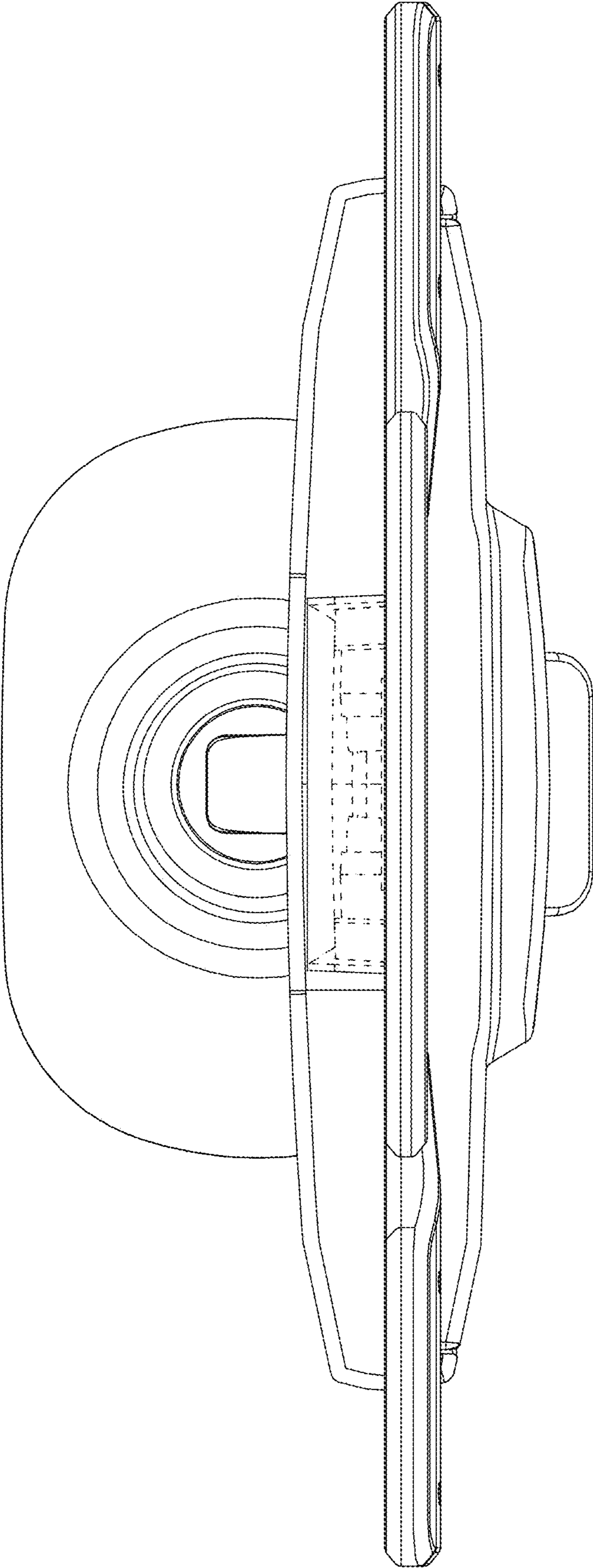


FIG. 3

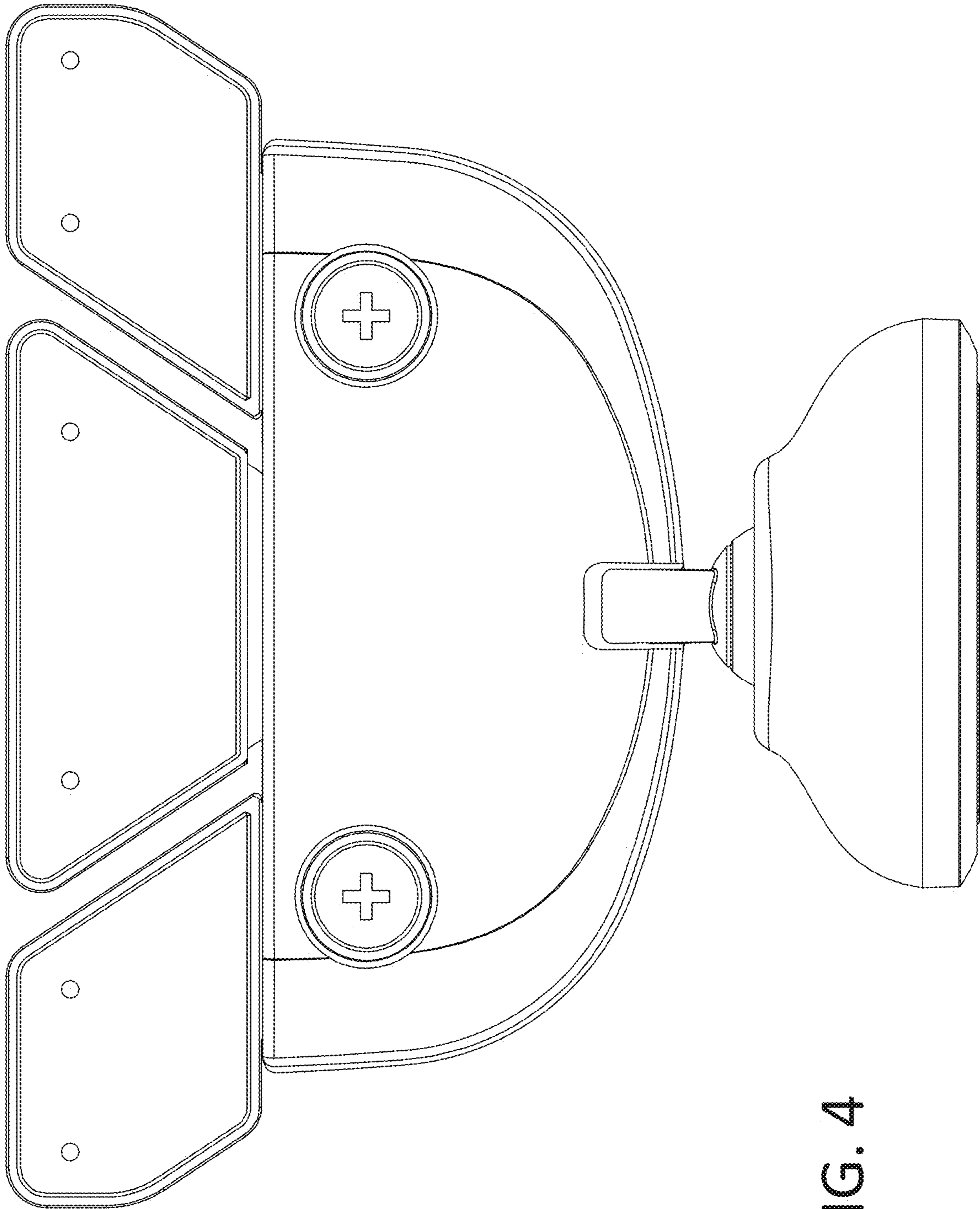


FIG. 4

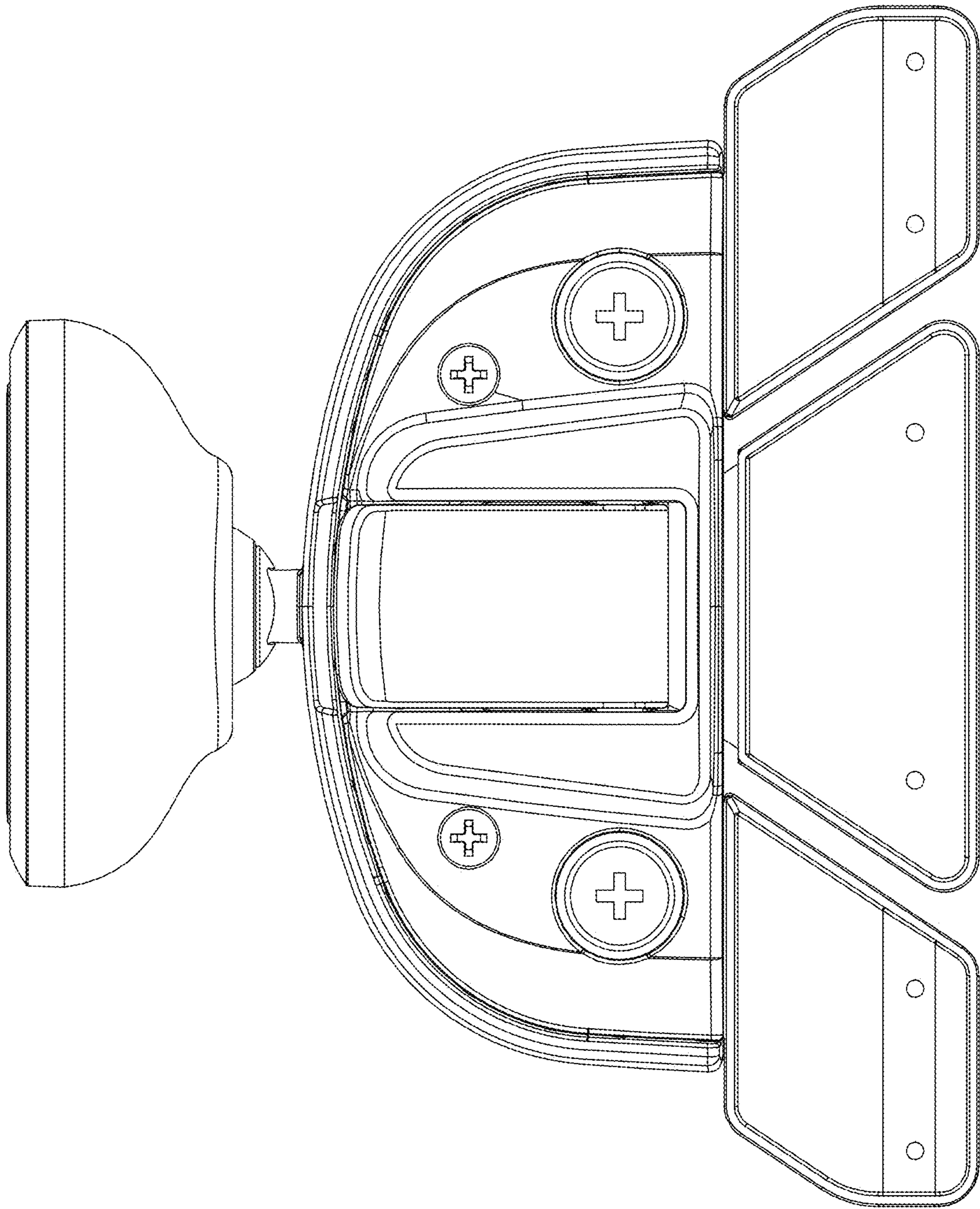


FIG. 5

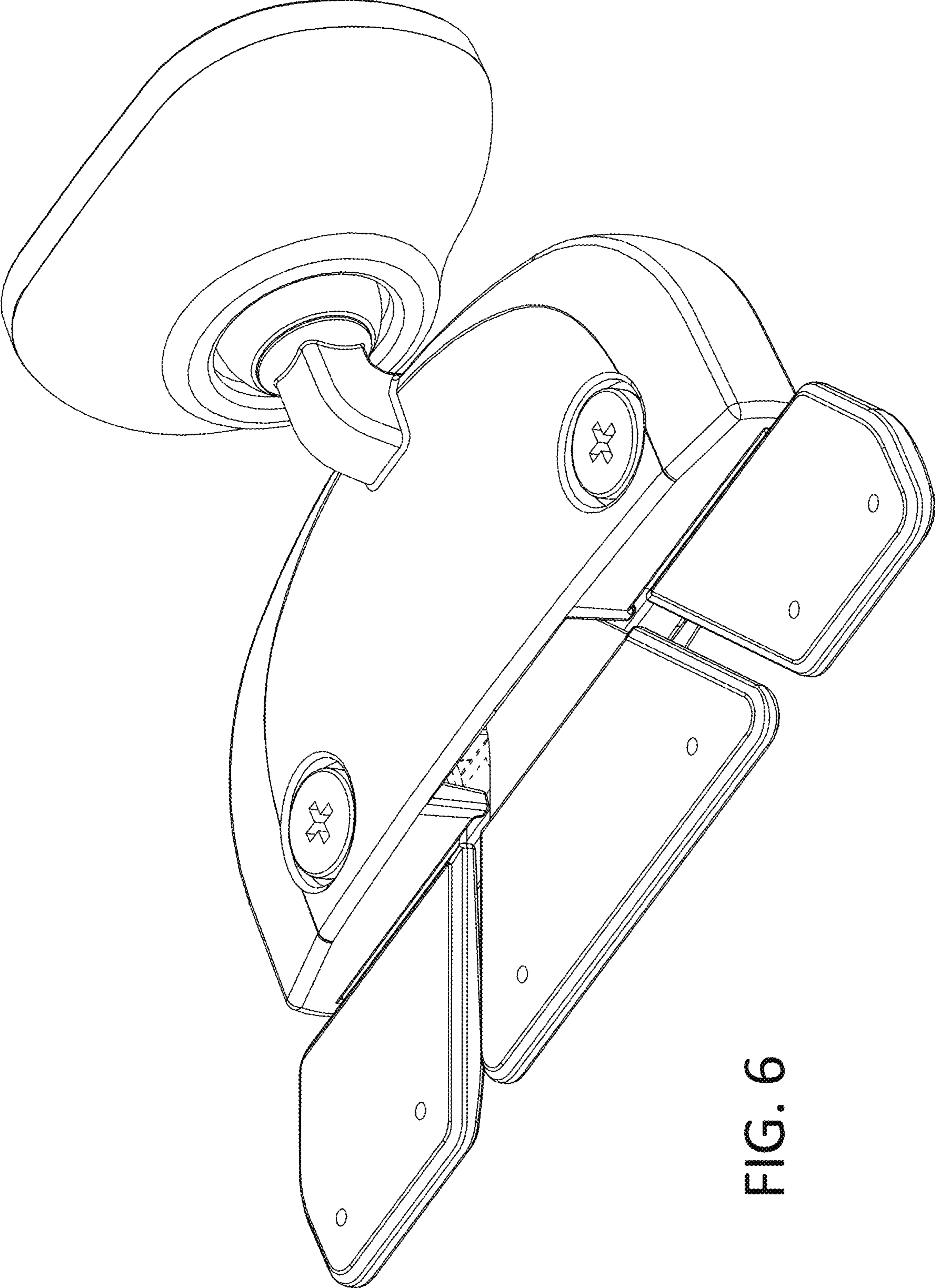


FIG. 6

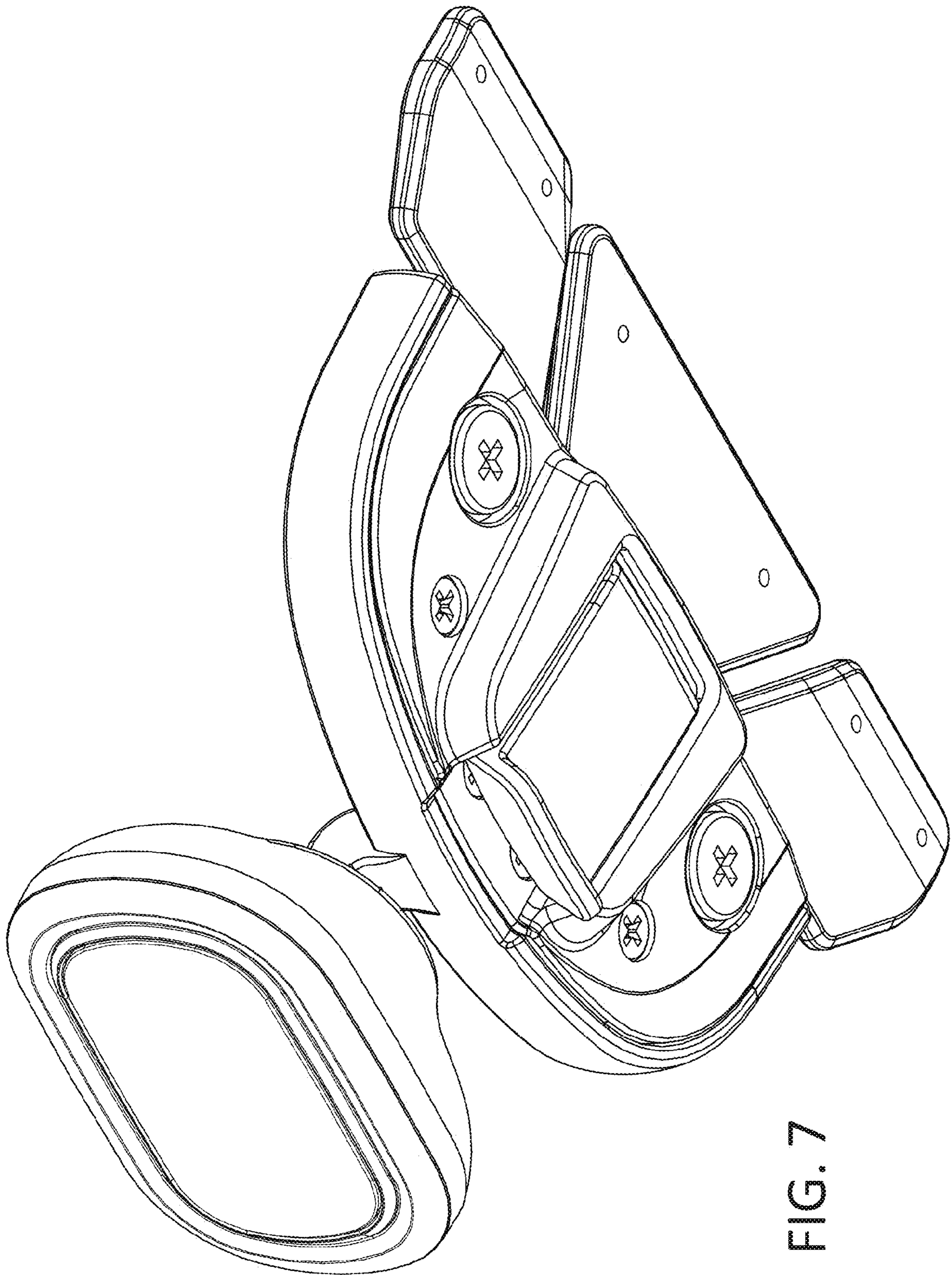


FIG. 7

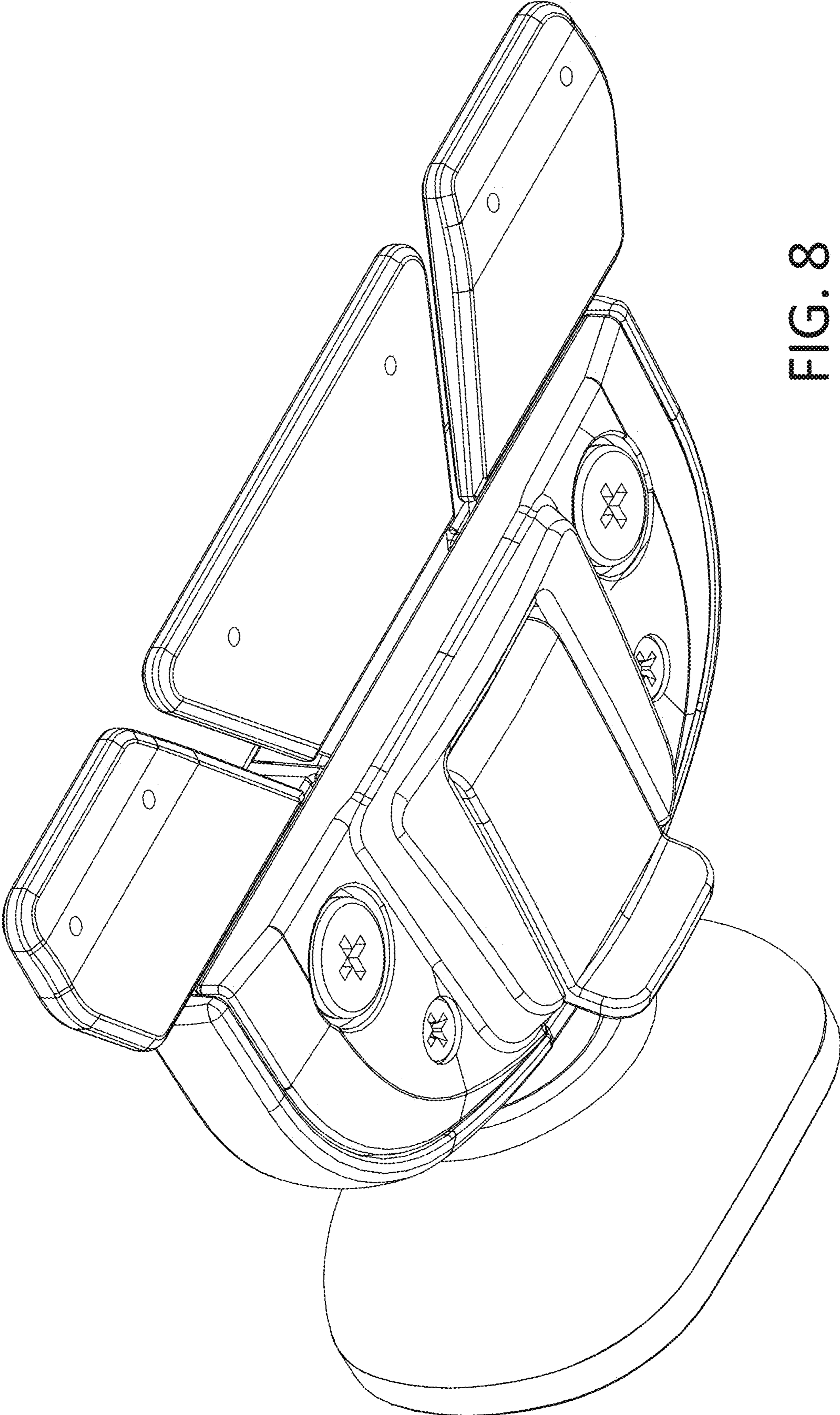


FIG. 8

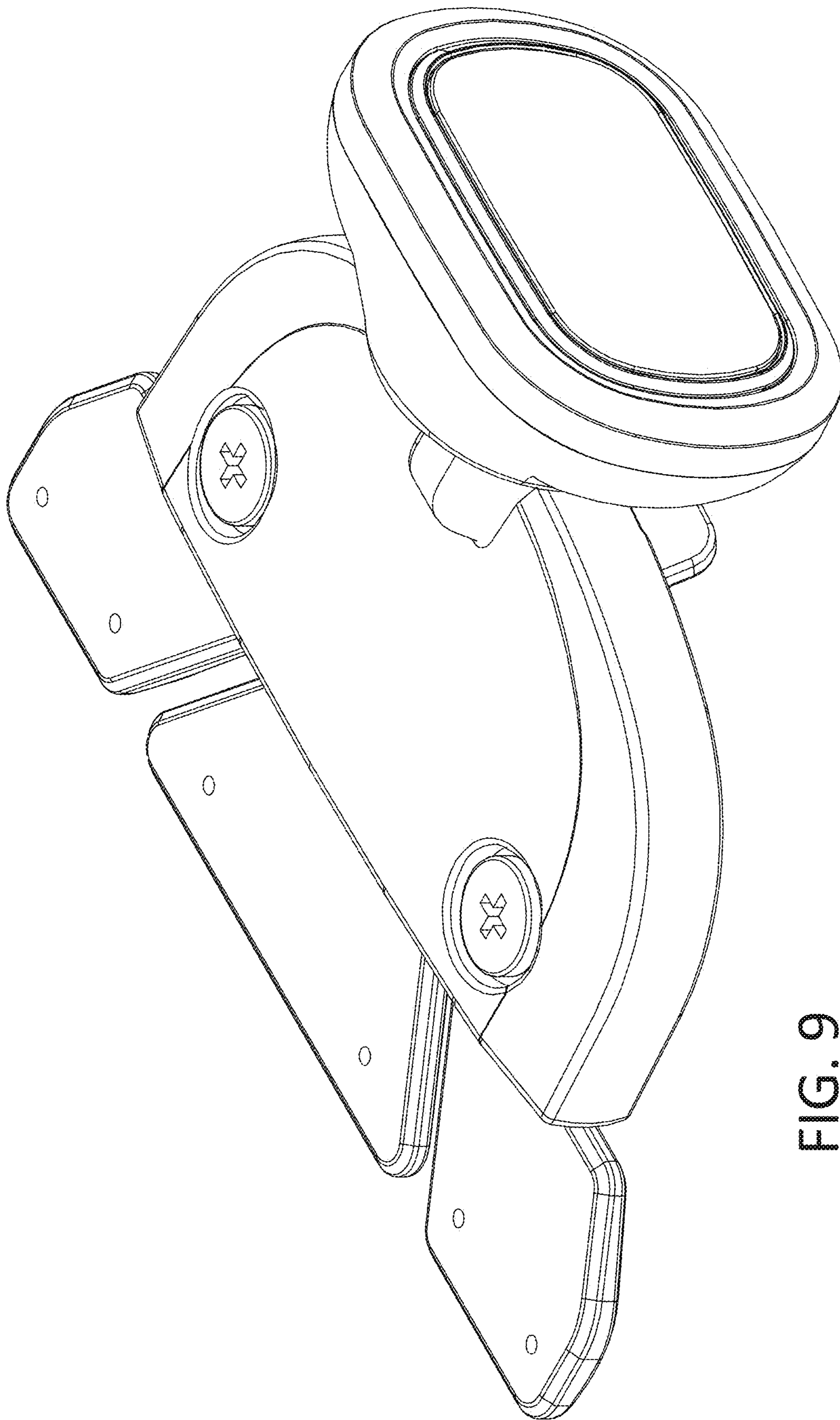


FIG. 9