



US00D898728S

(12) **United States Design Patent**  
**Lin**

(10) **Patent No.:** **US D898,728 S**

(45) **Date of Patent:** **\*\* Oct. 13, 2020**

(54) **CASE FOR SMARTPHONE**

(71) Applicant: **Huafa Lin**, Gaozhou (CN)

(72) Inventor: **Huafa Lin**, Gaozhou (CN)

(\*\*) Term: **15 Years**

(21) Appl. No.: **29/720,637**

(22) Filed: **Jan. 15, 2020**

(51) **LOC (12) Cl.** ..... **14-03**

(52) **U.S. Cl.**  
USPC ..... **D14/250**

(58) **Field of Classification Search**  
USPC ..... D14/203.3–203.7, 439, 251–253, 447,  
D14/217, 240, 248, 238.1, 250, 440;  
D13/103, 107–108, 119; D3/201, 218,  
D3/247, 249, 269, 273, 301, 303  
CPC ..... H04B 1/3888; H04M 1/0283; H04M  
1/0202; A45C 1/06; A45C 11/00; A45C  
13/02; A45C 2011/002; A45F 2005/026;  
A45F 2200/0525; A45F 2200/0516  
See application file for complete search history.

(56) **References Cited**

**U.S. PATENT DOCUMENTS**

D238,611 S *	1/1976	Fukuda	.....	D14/195
D618,229 S *	6/2010	de Jong	.....	D14/250
D692,013 S *	10/2013	Crysell	.....	D14/447
D735,184 S *	7/2015	Lee	.....	D14/250
D751,060 S *	3/2016	Cooper	.....	D14/251
9,300,347 B1 *	3/2016	Coverstone	.....	H04B 1/3888
D753,122 S *	4/2016	Li	.....	D14/440
D756,909 S *	5/2016	Gupta	.....	D13/103
9,336,645 B2 *	5/2016	Bristol	.....	G07F 17/3213
9,397,719 B1 *	7/2016	Schmidt	.....	F16M 11/24
9,407,048 B2 *	8/2016	George	.....	H01R 13/72
D765,638 S	9/2016	Gaylord et al.		
D766,247 S *	9/2016	Burmester	.....	D14/440
D790,523 S *	6/2017	Watt	.....	D14/250

D838,265 S *	1/2019	Wright	.....	D14/250
D842,860 S *	3/2019	Brown	.....	D14/440
10,298,727 B2 *	5/2019	Rebot	.....	B60R 11/0252
D863,281 S *	10/2019	Liu	.....	D14/250
2005/0219959 A1 *	10/2005	Wiederrecht	.....	G04B 33/02 368/220
2009/0237812 A1 *	9/2009	Tseng	.....	H04B 1/3888 359/808
2010/0214879 A1 *	8/2010	Lechot	.....	G04B 17/063 368/101
2013/0281169 A1 *	10/2013	Coverstone	.....	H04M 1/72527 455/575.8

(Continued)

*Primary Examiner* — Carla J Wright

(57) **CLAIM**

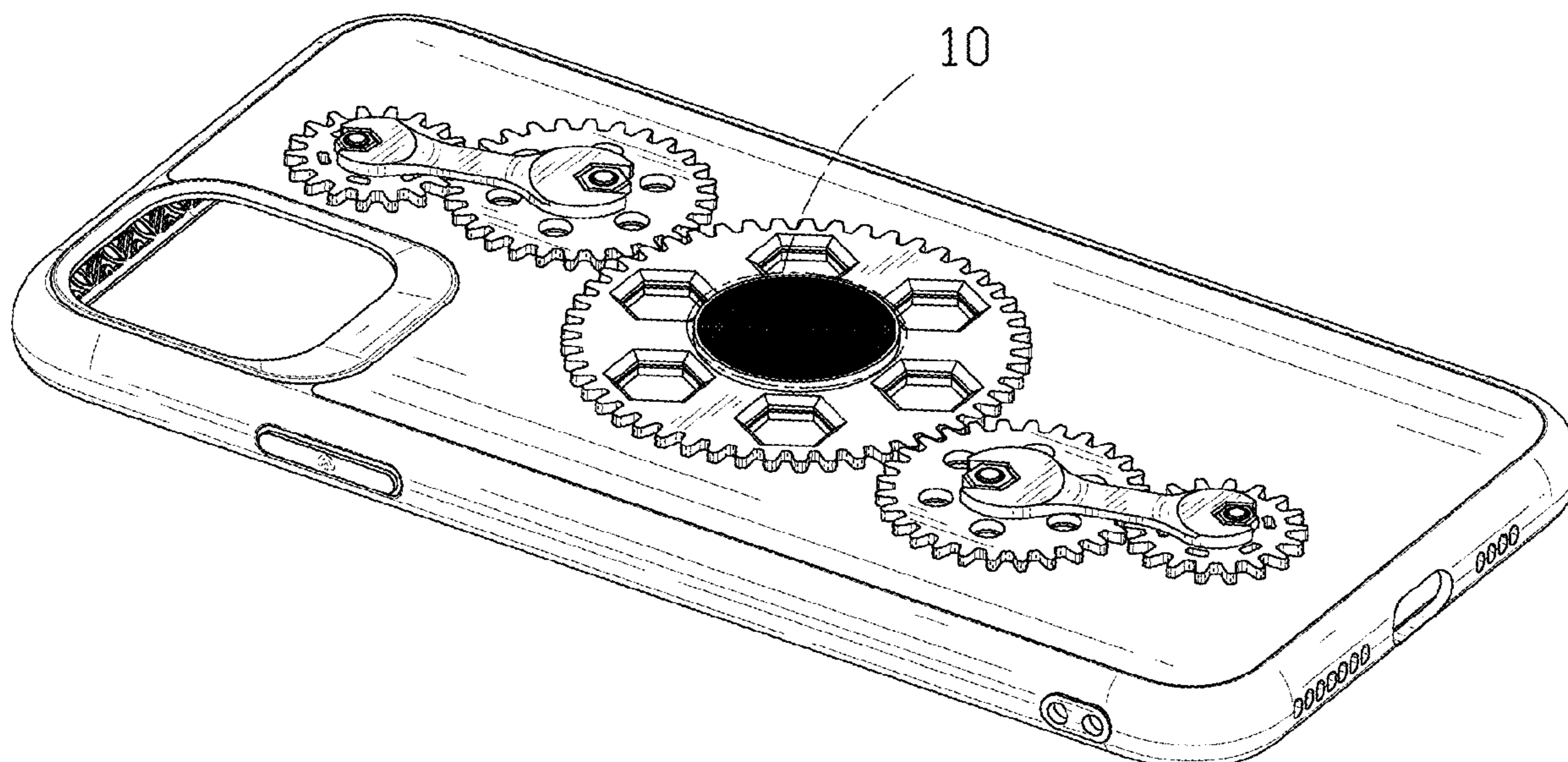
The ornamental design for a case for smartphone, as shown and described.

**DESCRIPTION**

FIG. 1 is a front perspective view of a case for smartphone, showing my new design;  
 FIG. 2 is a rear perspective view thereof;  
 FIG. 3 is a front elevational view thereof;  
 FIG. 4 is a rear elevational view thereof;  
 FIG. 5 is a left side elevational view thereof;  
 FIG. 6 is a right side elevational view thereof;  
 FIG. 7 is a top plan view thereof;  
 FIG. 8 is a bottom plan view thereof;  
 FIG. 9 is an enlarged detail view of the encircled region of FIG. 1; and,  
 FIG. 10 is an enlarged detail view of the encircled region of FIG. 2.

The broken lines in the figures illustrate portions of the case for smartphone that form no part of the claimed design. The dash dot dash lines in FIGS. 1, 2, 9 and 10 delineate regions of the case for smartphone that are part of the claimed design and that are shown on an enlarged scale in FIGS. 9 and 10.

**1 Claim, 10 Drawing Sheets**



(56)

**References Cited**

U.S. PATENT DOCUMENTS

2015/0011165 A1\* 1/2015 Shinkawa ..... H04M 1/04  
455/41.2  
2016/0150861 A1\* 6/2016 Yao ..... H04B 1/3888  
224/245  
2016/0363908 A1\* 12/2016 Kirchof ..... G04B 11/006  
2017/0303653 A1\* 10/2017 Roberts ..... A45C 11/00  
2018/0359343 A1\* 12/2018 Lee ..... H04M 1/72527

\* cited by examiner

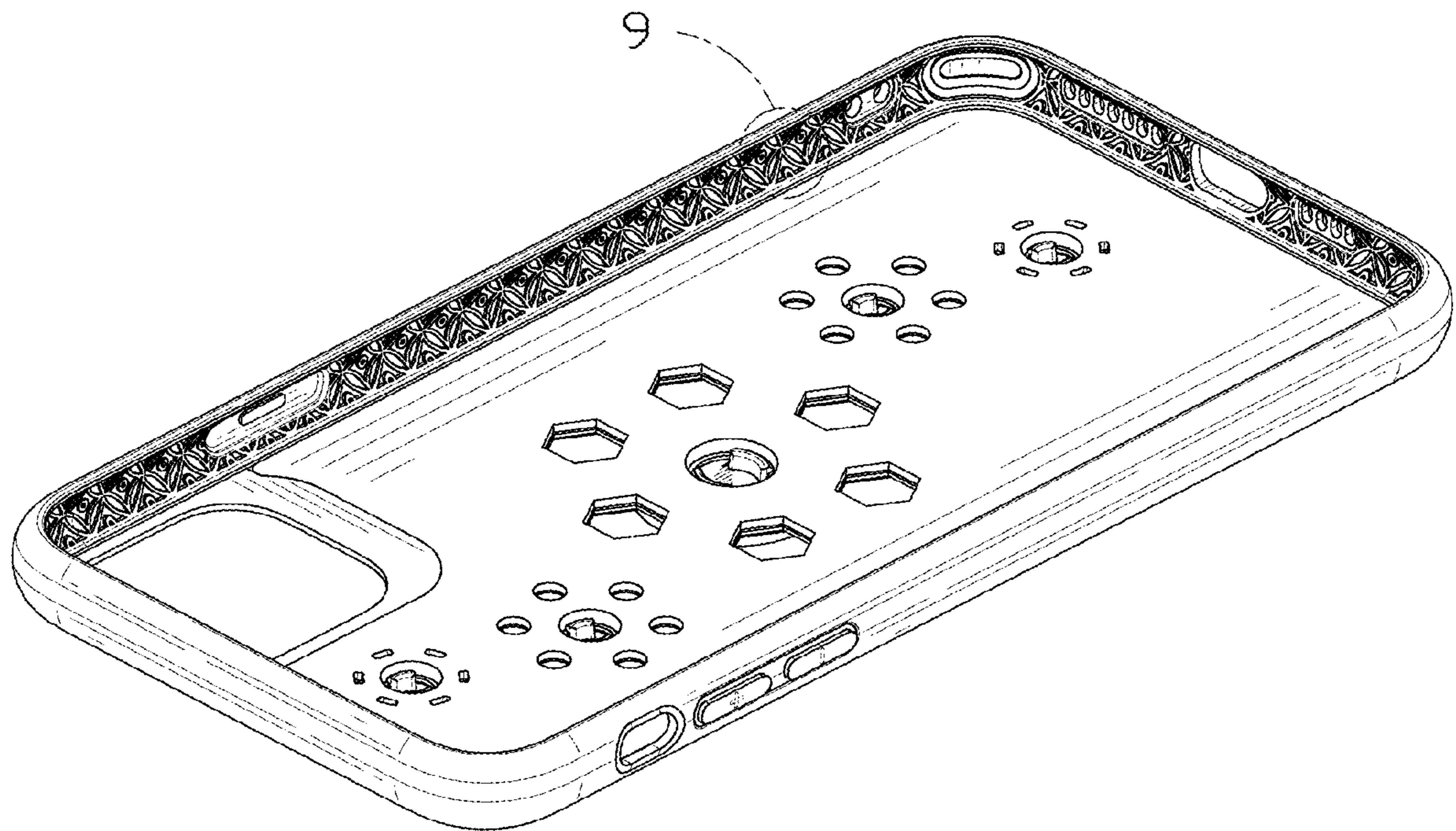


FIG. 1



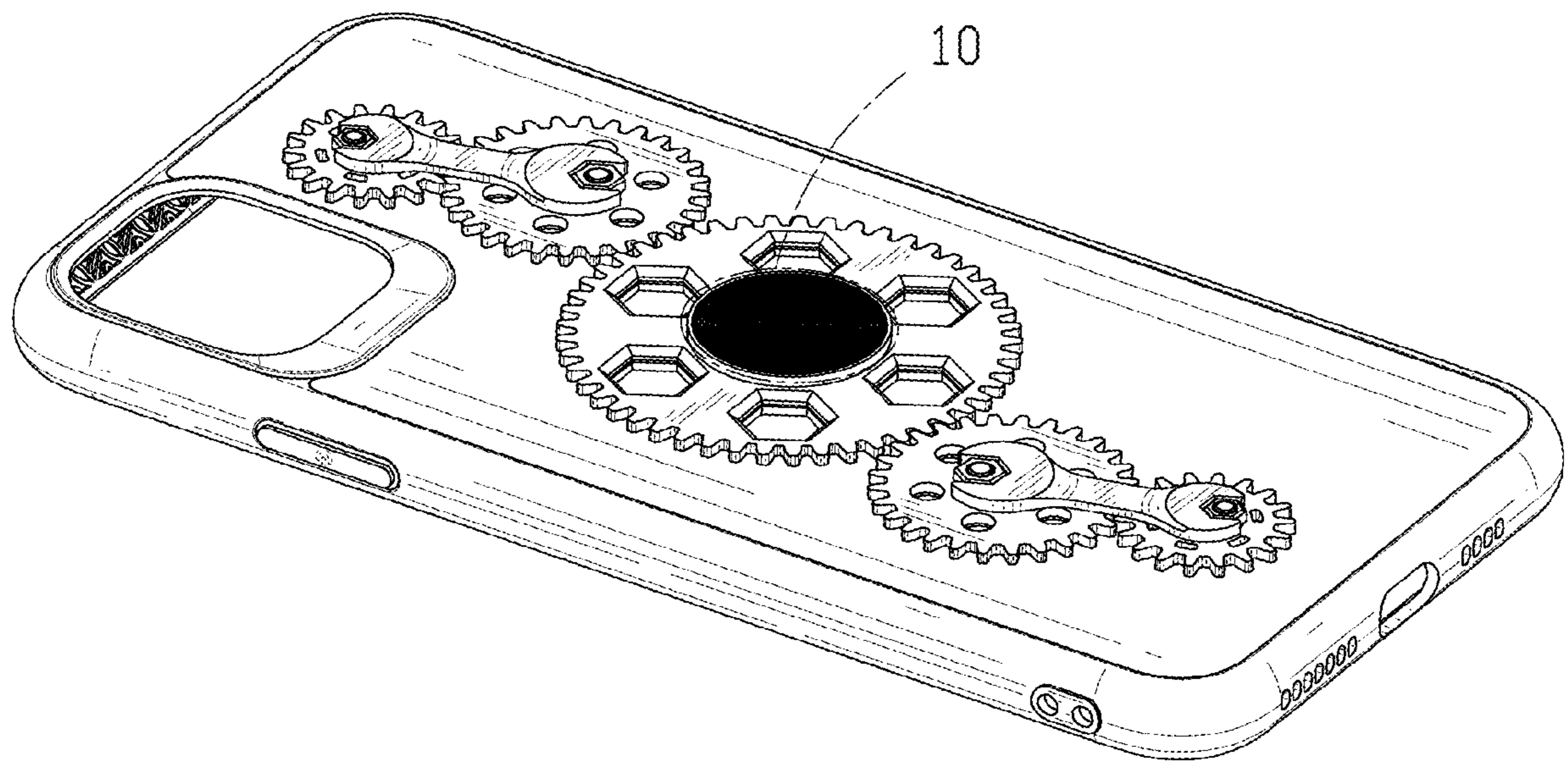


FIG. 2

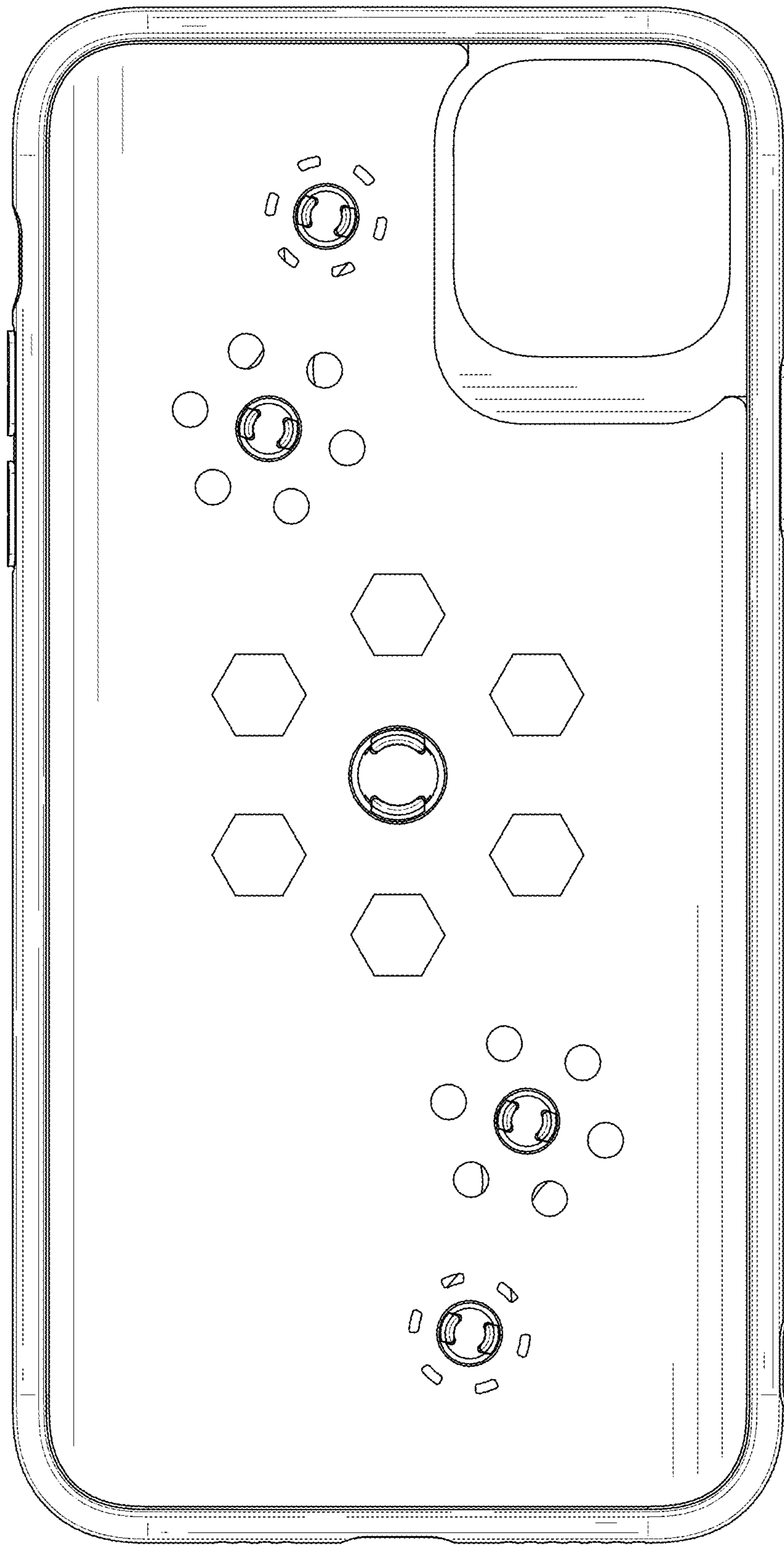


FIG. 3

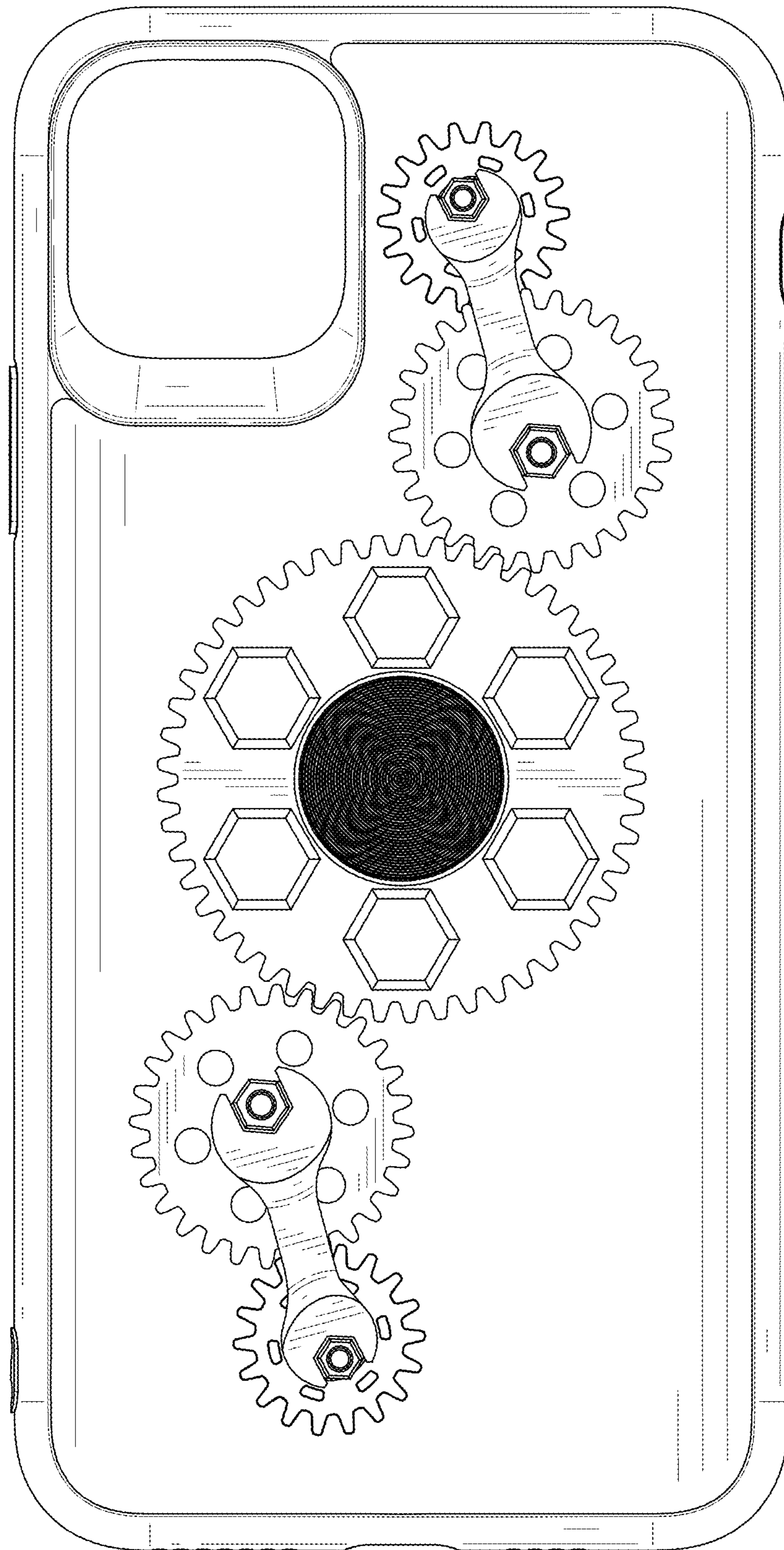


FIG. 4

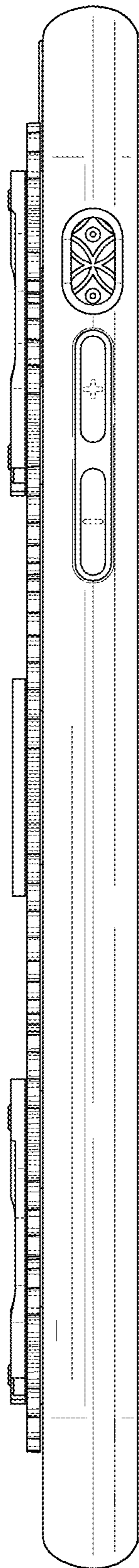


FIG. 5

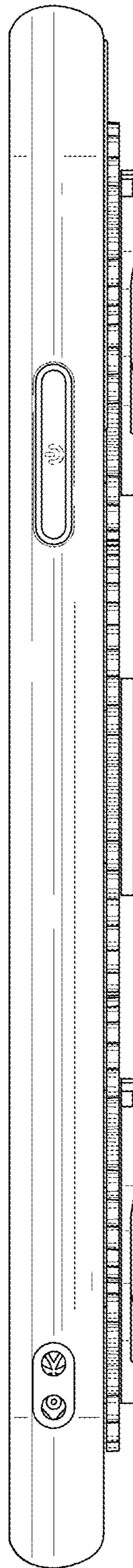


FIG. 6



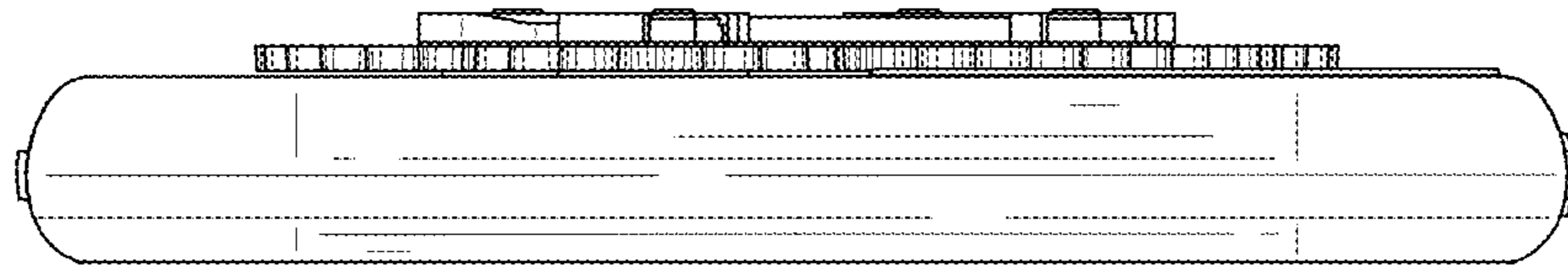


FIG. 7

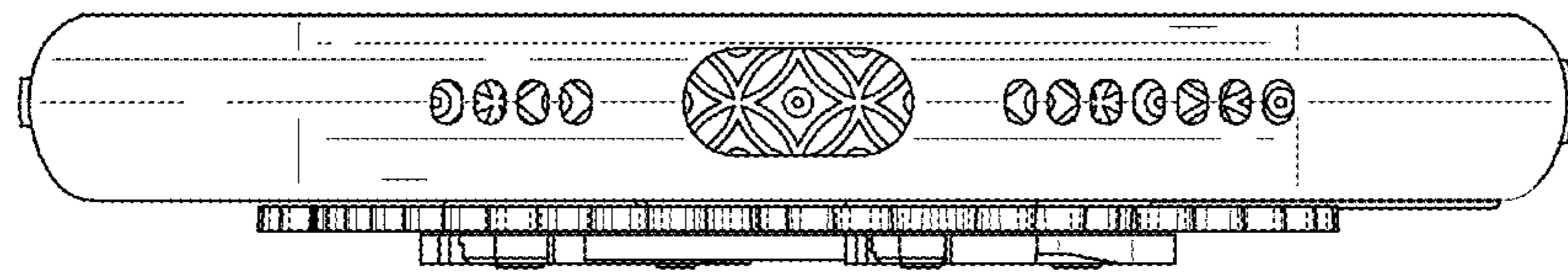


FIG. 8



FIG. 9

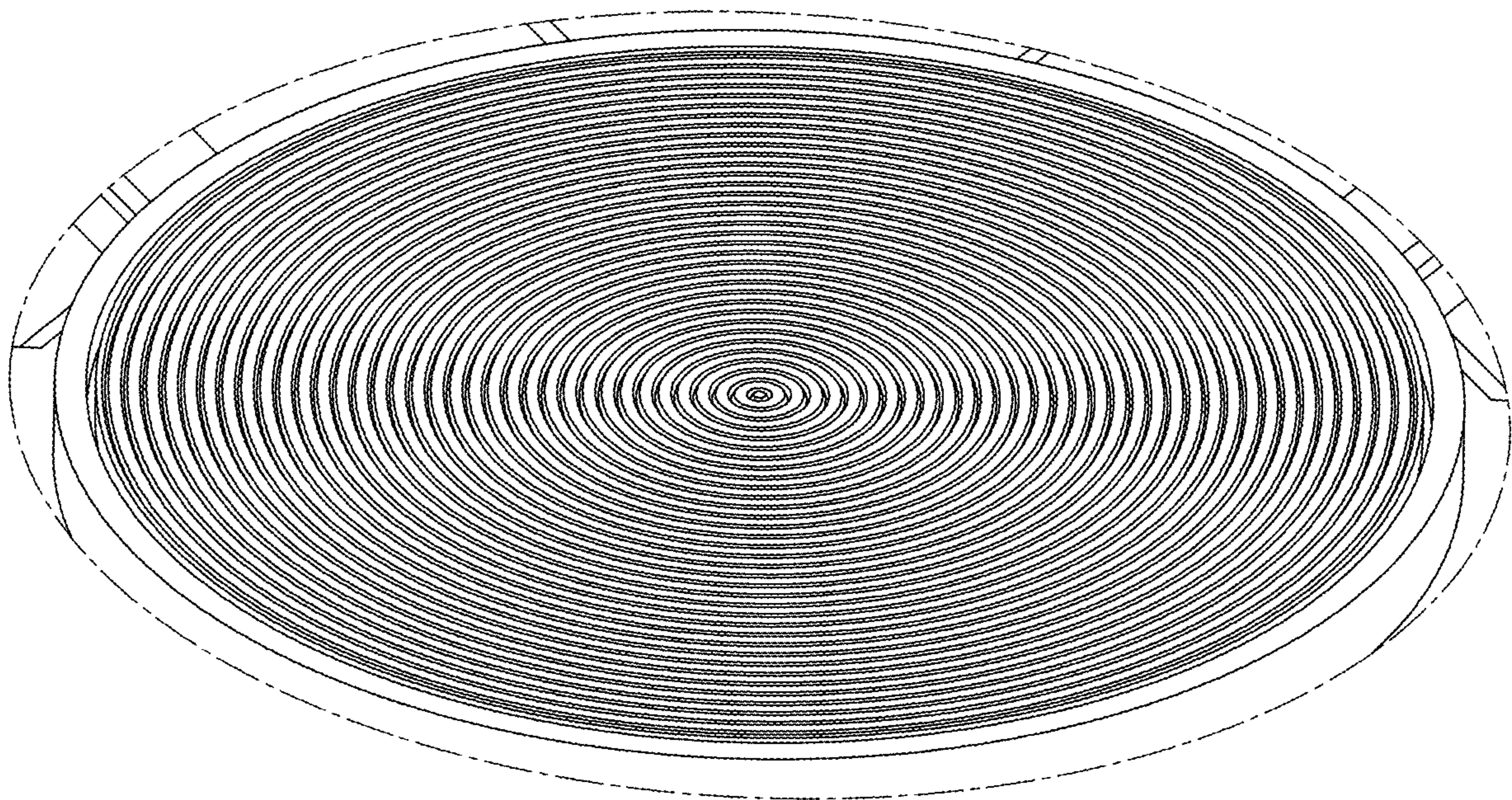


FIG. 10