



US00D898726S

(12) **United States Design Patent** (10) **Patent No.:** **US D898,726 S**
Ahn (45) **Date of Patent:** **** Oct. 13, 2020**

- (54) **CASE FOR ELECTRONIC COMMUNICATIONS DEVICE**
- (71) Applicant: **SPIGEN KOREA CO., LTD.**, Seoul (KR)
- (72) Inventor: **Deok Hyun Ahn**, Seoul (KR)
- (73) Assignee: **Spigen Korea CO., LTD.**, Seoul (KR)
- (**) Term: **15 Years**
- (21) Appl. No.: **29/705,556**
- (22) Filed: **Sep. 12, 2019**

Related U.S. Application Data

- (63) Continuation of application No. 29/633,928, filed on Jan. 17, 2018, now Pat. No. Des. 861,662.
- (51) **LOC (12) Cl.** **14-03**
- (52) **U.S. Cl.**
USPC **D14/250**
- (58) **Field of Classification Search**
USPC D14/440, 203.3–203.7, 439, 238.1, D14/251–253, 447, 217, 240, 248, 250; D3/201, 218, 247, 269, 273, 301, 303; D13/103, 119, 107–108
CPC H04B 1/3888; H04M 1/0283; H04M 1/0202; A45C 1/06; A45C 11/00; A45C

(Continued)

(56) **References Cited**

U.S. PATENT DOCUMENTS

- D577,904 S 10/2008 Sasaki
- D616,430 S * 5/2010 Fathollahi D14/250
- D620,931 S * 8/2010 Opman D14/250

(Continued)

Primary Examiner — Carla J Wright
(74) *Attorney, Agent, or Firm* — Heedong Chae; Lucem, PC

(57) **CLAIM**

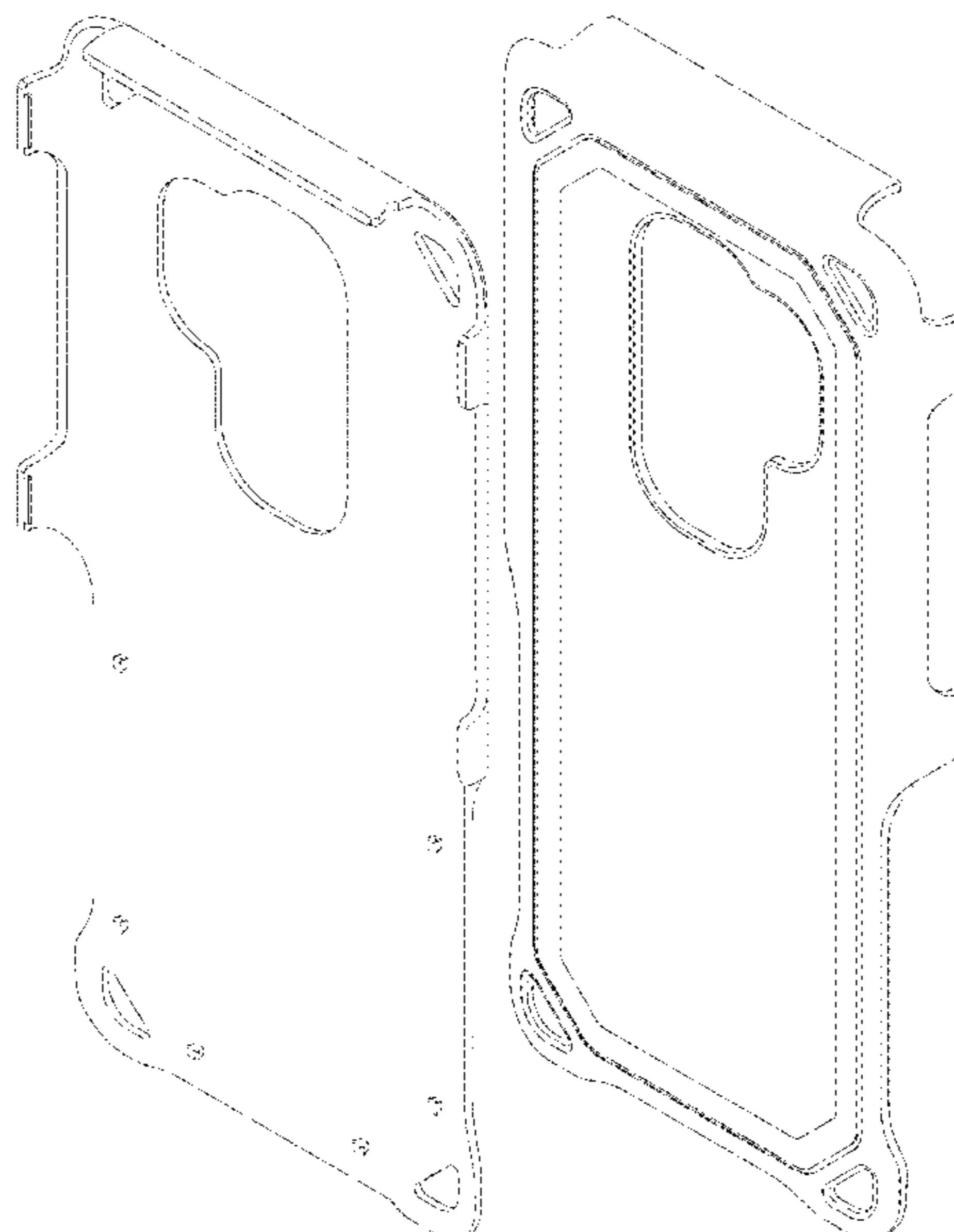
The ornamental design for a case for electronic communications device, as shown and described.

DESCRIPTION

FIG. 1 is a front perspective view of a case for electronic communications device showing my new design in an environment of use;
 FIG. 2 is a rear perspective view thereof;
 FIG. 3 is a front elevational view thereof;
 FIG. 4 is a rear elevational view thereof;
 FIG. 5 is a left side elevational view thereof;
 FIG. 6 is a right side elevational view thereof;
 FIG. 7 is a top plan view thereof;
 FIG. 8 is a bottom plan view thereof;
 FIG. 9 is a front perspective view showing an environmental inner shell in isolation for clarity of disclosure;
 FIG. 10 is a rear perspective view showing the environmental inner shell in isolation for clarity of disclosure;
 FIG. 11 is a front perspective view showing the case for electronic communications device in isolation for clarity of disclosure;
 FIG. 12 is a rear perspective view showing the case for electronic communications device in isolation for clarity of disclosure;
 FIG. 13 is an exploded front perspective view showing the case for electronic communications device separated from the environmental inner shell for clarity of disclosure; and,
 FIG. 14 is an exploded rear perspective view showing the case for electronic communications device separated from the environmental inner shell for clarity of disclosure.

The broken lines throughout the drawing figures depict environmental subject matter and portions of the case for electronic communications device that form no part of the claimed design.

1 Claim, 14 Drawing Sheets



(58) **Field of Classification Search**
 CPC 13/02; A45C 2011/002; A45F 2005/026;
 A45F 2200/0525; A45F 2200/0516
 See application file for complete search history.

(56) **References Cited**

U.S. PATENT DOCUMENTS

D625,303 S * 10/2010 Kim D14/250
 D633,089 S 2/2011 Hsu
 D646,266 S * 10/2011 Kim D14/250
 D648,332 S 11/2011 Kim et al.
 D653,249 S * 1/2012 Fahrendorff D14/250
 D653,655 S * 2/2012 Polito D14/250
 D670,279 S 11/2012 Veltz
 D675,604 S 2/2013 Limber
 D681,623 S * 5/2013 Chang D14/250
 D681,624 S * 5/2013 Chang D14/250
 D683,338 S 5/2013 Wilson et al.
 D684,150 S 6/2013 Goradesky et al.
 D685,361 S 7/2013 Goradesky et al.
 D685,364 S * 7/2013 Murchison D14/250
 D694,743 S * 12/2013 Monaco D14/250
 D697,060 S 1/2014 Yang
 D706,754 S 6/2014 Goradesky
 D709,057 S 7/2014 Wilson et al.
 D712,391 S * 9/2014 Kim D14/250
 D716,294 S 10/2014 Park
 D718,289 S * 11/2014 Brand D14/250
 D721,690 S * 1/2015 Kim D14/250
 D721,691 S * 1/2015 Kim D14/250
 D721,692 S * 1/2015 Kim D14/250
 D723,570 S * 3/2015 Sirichai D14/440
 D724,093 S * 3/2015 Dong D14/440
 D728,549 S 5/2015 Su
 D733,154 S 6/2015 Armstrong
 D740,798 S 10/2015 Poon et al.
 D745,524 S 12/2015 Hung
 D746,801 S 1/2016 Pan
 D747,707 S 1/2016 Roberts et al.
 D750,610 S 3/2016 Chen
 D754,651 S 4/2016 Roberts et al.
 D755,772 S 5/2016 Sasaki et al.
 D756,977 S * 5/2016 Schriefer D14/250
 D757,702 S 5/2016 Kanazawa
 D757,703 S 5/2016 Kanazawa
 D757,704 S 5/2016 Roberts et al.
 D762,631 S 8/2016 Kim
 D762,633 S 8/2016 Fife
 D763,841 S 8/2016 Kim
 D763,854 S 8/2016 Domke
 D767,551 S 9/2016 Sasaki et al.
 D767,552 S 9/2016 Sasaki et al.
 D769,855 S 10/2016 Deng
 D772,211 S 11/2016 Poon et al.
 D772,213 S 11/2016 Daniel et al.
 D772,857 S 11/2016 Poon

D773,445 S 12/2016 Witter et al.
 D775,100 S 12/2016 Teruyama
 D775,617 S 1/2017 Samson
 D776,104 S 1/2017 Tien
 D776,105 S 1/2017 Han
 D777,716 S 1/2017 Kim
 D777,727 S 1/2017 Maicon
 D780,164 S 2/2017 Lee
 D780,167 S 2/2017 Tien
 D780,741 S 3/2017 Yin
 D781,834 S 3/2017 Kim et al.
 D783,588 S 4/2017 Chang
 D785,612 S 5/2017 Kim
 D786,226 S 5/2017 Kim
 D794,625 S 8/2017 Armstrong et al.
 D794,626 S 8/2017 Armstrong et al.
 D801,976 S * 11/2017 Li D14/440
 D802,576 S 11/2017 Ahn
 D802,577 S 11/2017 Ahn
 D806,082 S 12/2017 Armstrong et al.
 D807,337 S 1/2018 Kim et al.
 D807,868 S 1/2018 Wang
 D808,374 S 1/2018 Lee et al.
 D808,377 S 1/2018 Witter et al.
 D808,378 S 1/2018 Witter et al.
 D809,498 S 2/2018 Ahn
 D810,064 S * 2/2018 Kim D14/250
 D811,379 S 2/2018 Armstrong et al.
 D815,082 S 4/2018 Kim
 D815,083 S 4/2018 Fitzgerald et al.
 D818,466 S 5/2018 Chang
 D823,293 S 7/2018 Kim et al.
 D823,296 S 7/2018 Kim et al.
 D823,298 S 7/2018 Kim et al.
 D830,353 S 10/2018 Kim et al.
 D834,571 S 11/2018 Ravid
 D835,089 S 12/2018 Nelson et al.
 D835,090 S 12/2018 Beck et al.
 D838,262 S 1/2019 Witter et al.
 D838,710 S 1/2019 Wang
 D839,252 S 1/2019 Lim et al.
 D839,859 S 2/2019 Zhang
 D844,597 S * 4/2019 Ahn D14/250
 D847,807 S 5/2019 Wright et al.
 D851,082 S 6/2019 Fitzgerald et al.
 D861,662 S * 10/2019 Ahn D14/250
 2012/0325720 A1 12/2012 Tages
 2013/0271897 A1 10/2013 Limber
 2015/0053583 A1 * 2/2015 McCormick A45C 11/00
 206/521
 2015/0068934 A1 3/2015 Armstrong
 2016/0021996 A1 1/2016 Tien
 2016/0204817 A1 * 7/2016 Kim H04B 1/3888
 455/575.8
 2016/0219999 A1 8/2016 Chang
 2016/0336987 A1 * 11/2016 Lin H04B 1/3888

* cited by examiner

FIG. 1

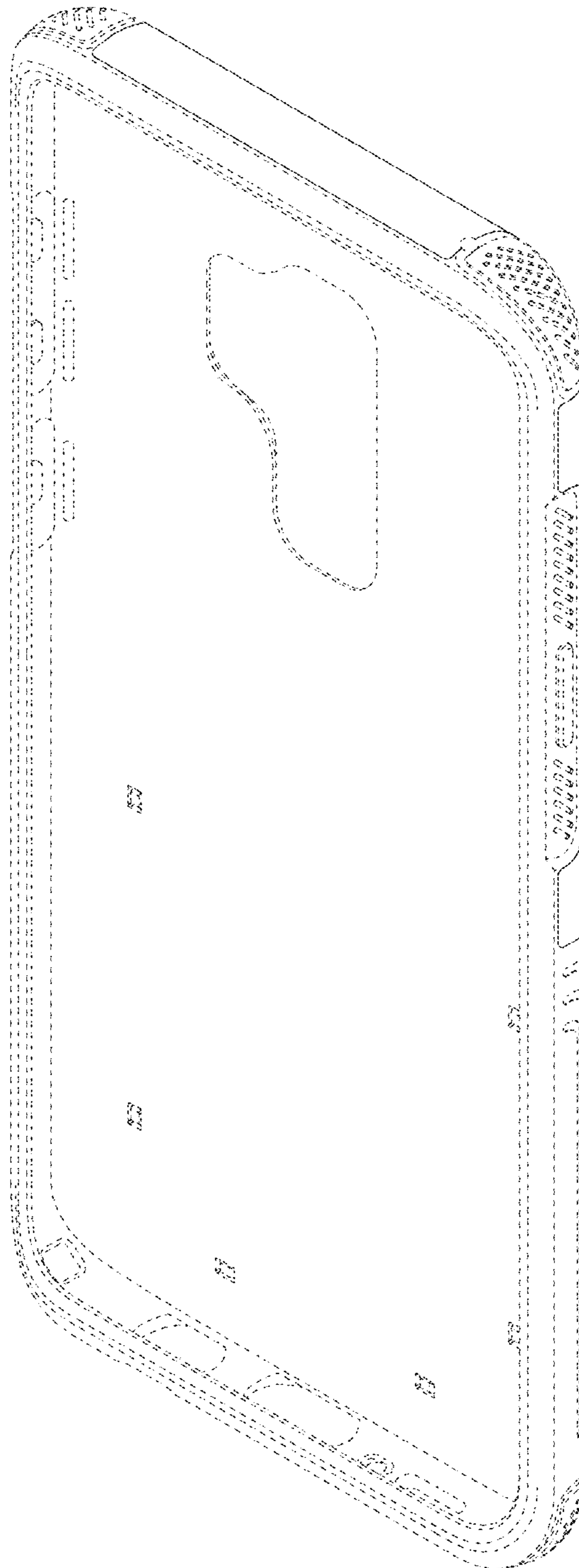


FIG. 2

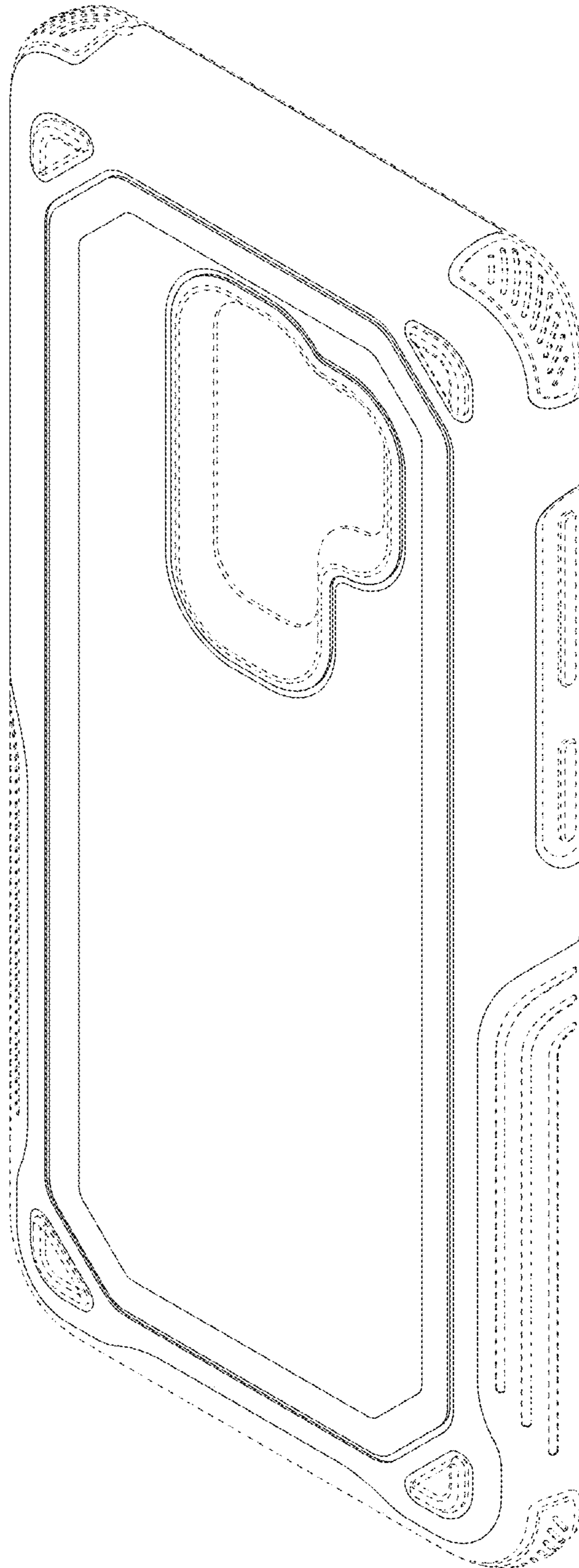


FIG. 3

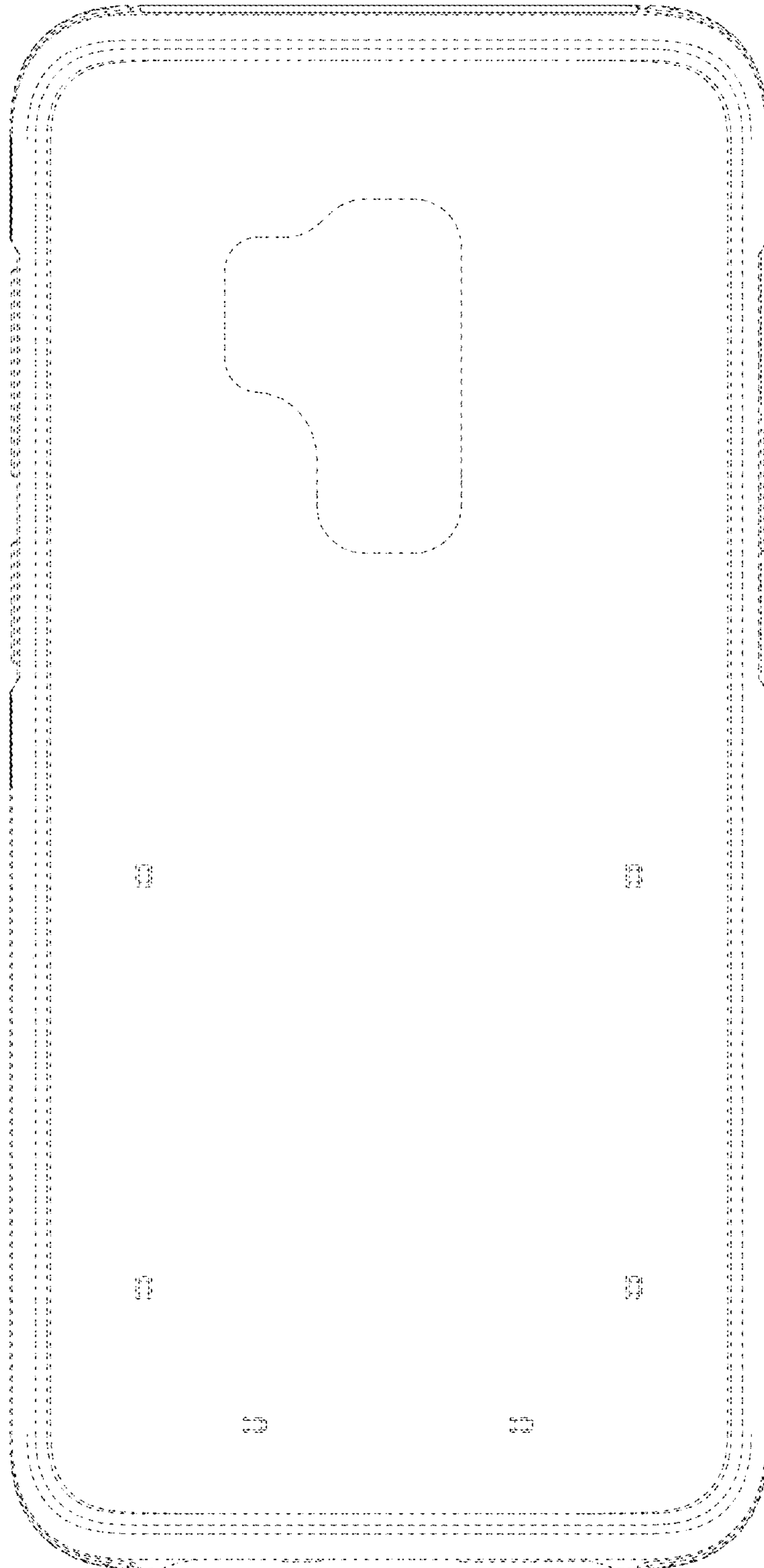


FIG. 4

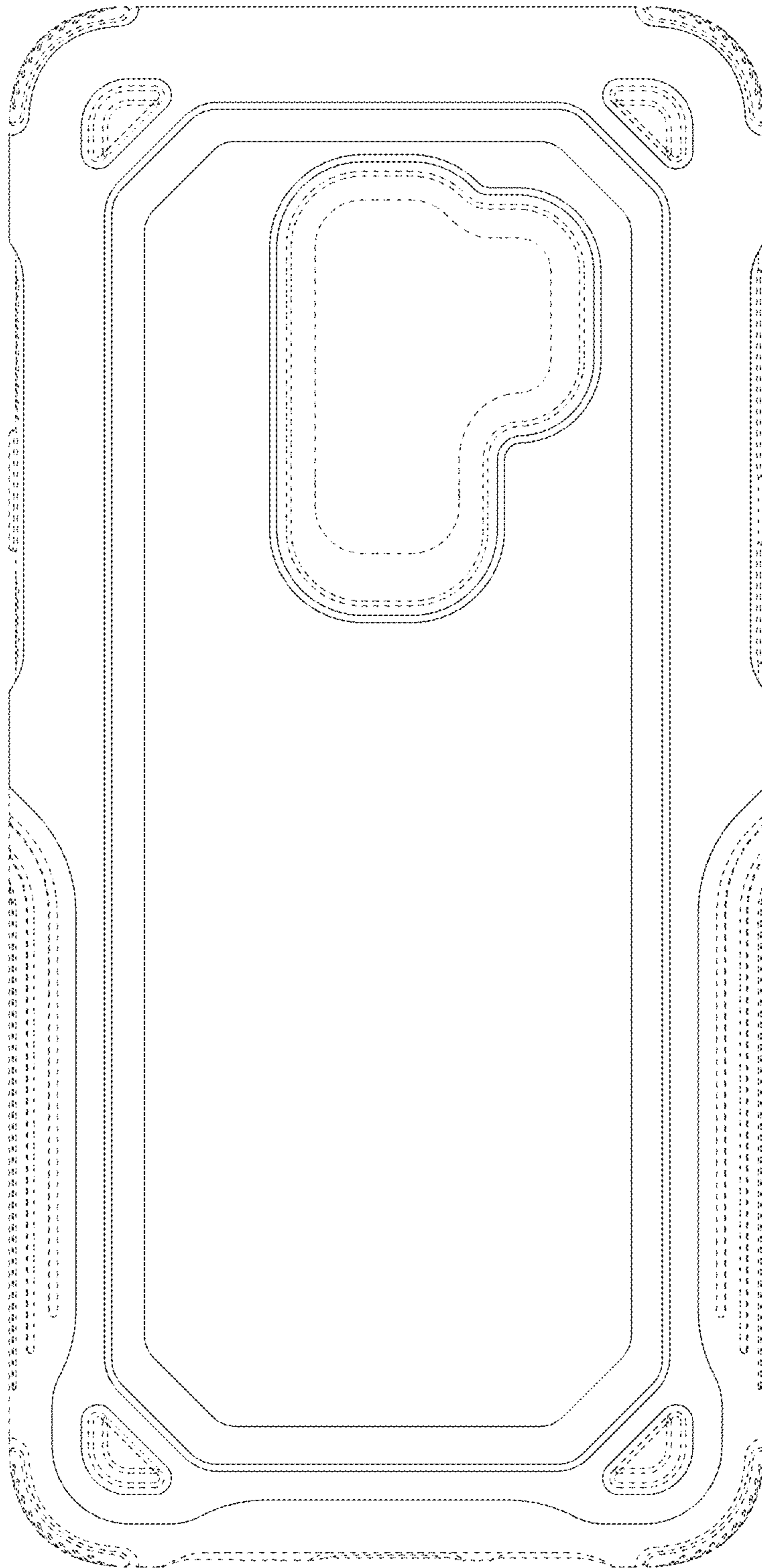


FIG. 5

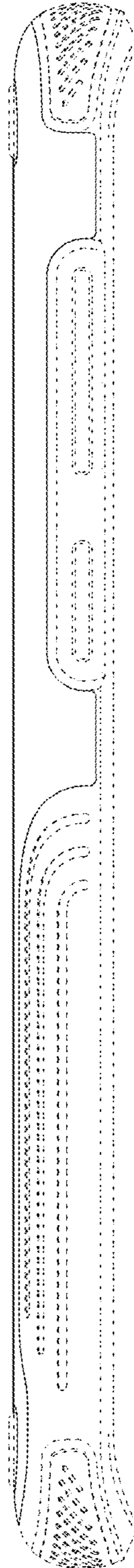


FIG. 6

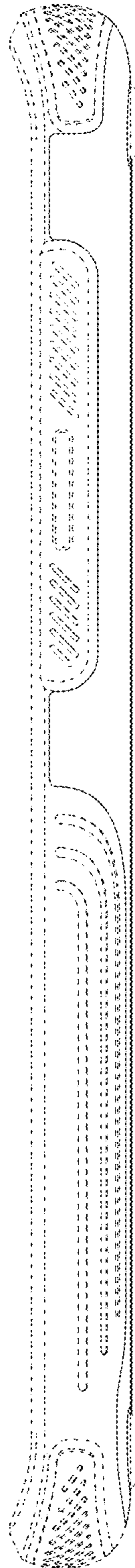


FIG. 7

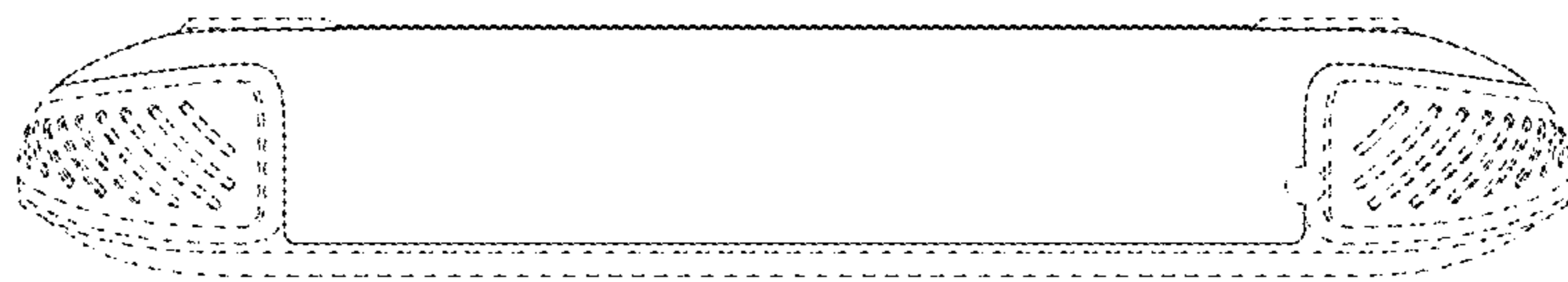


FIG. 8

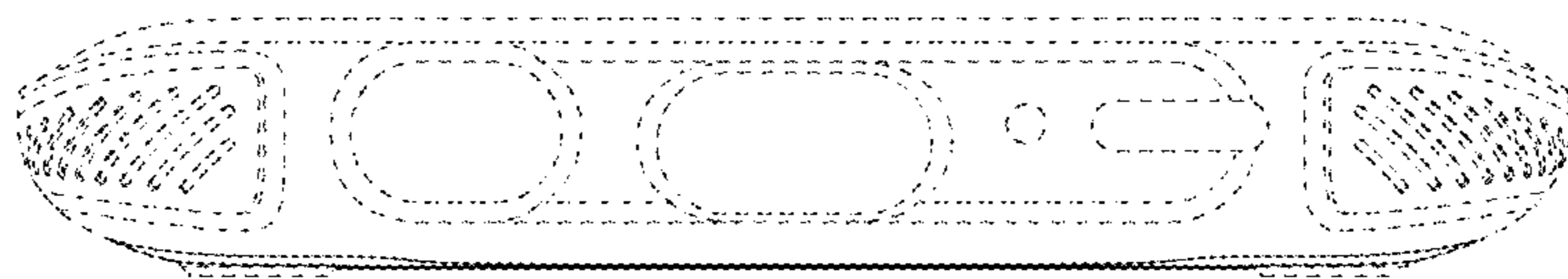


FIG. 9

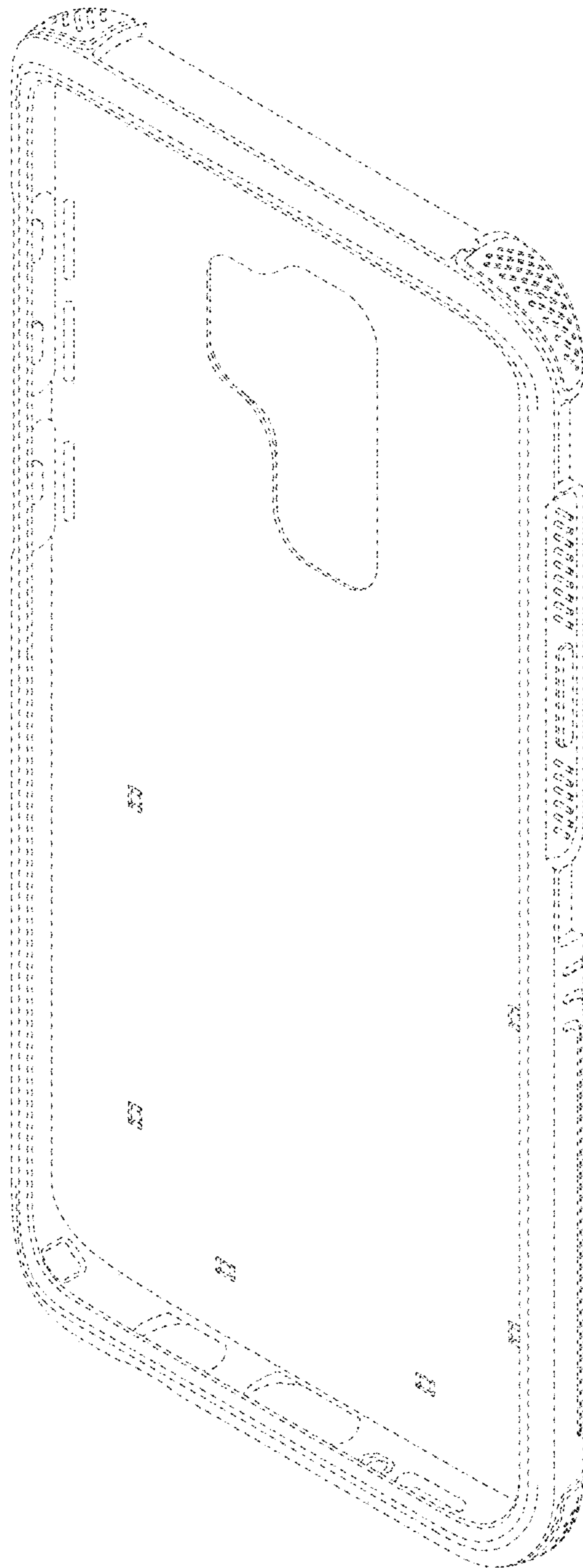


FIG. 10

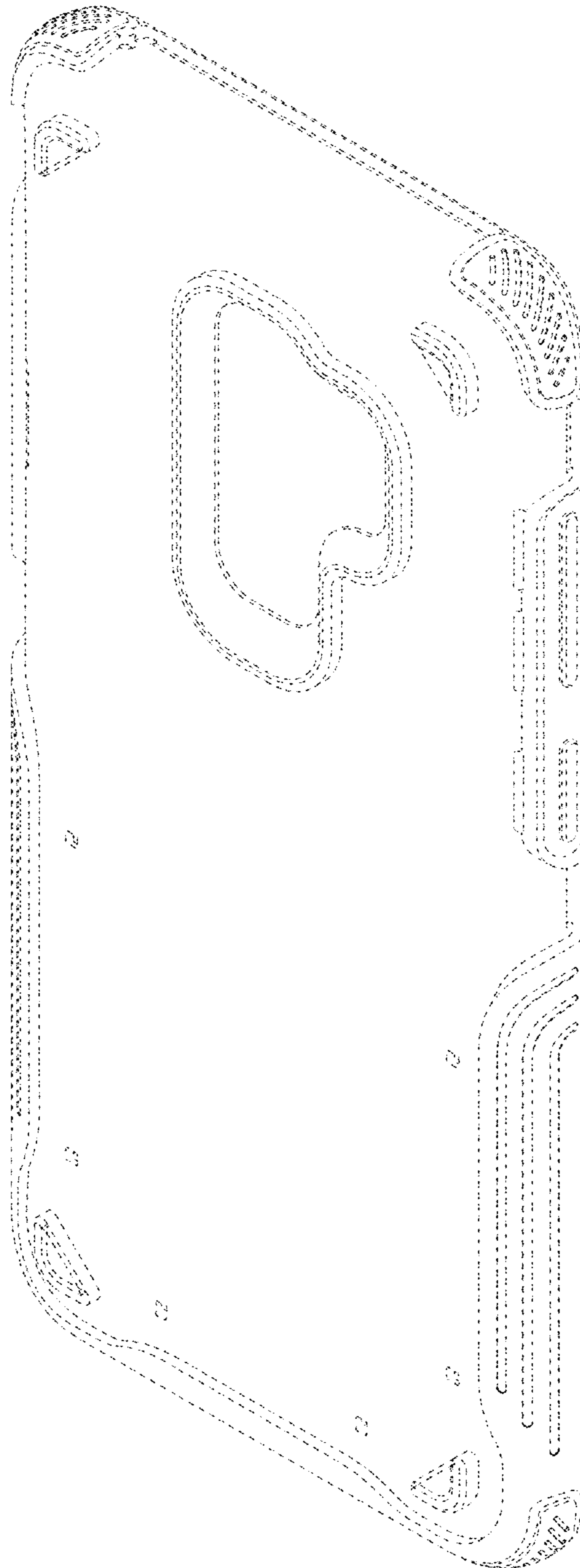


FIG. 11

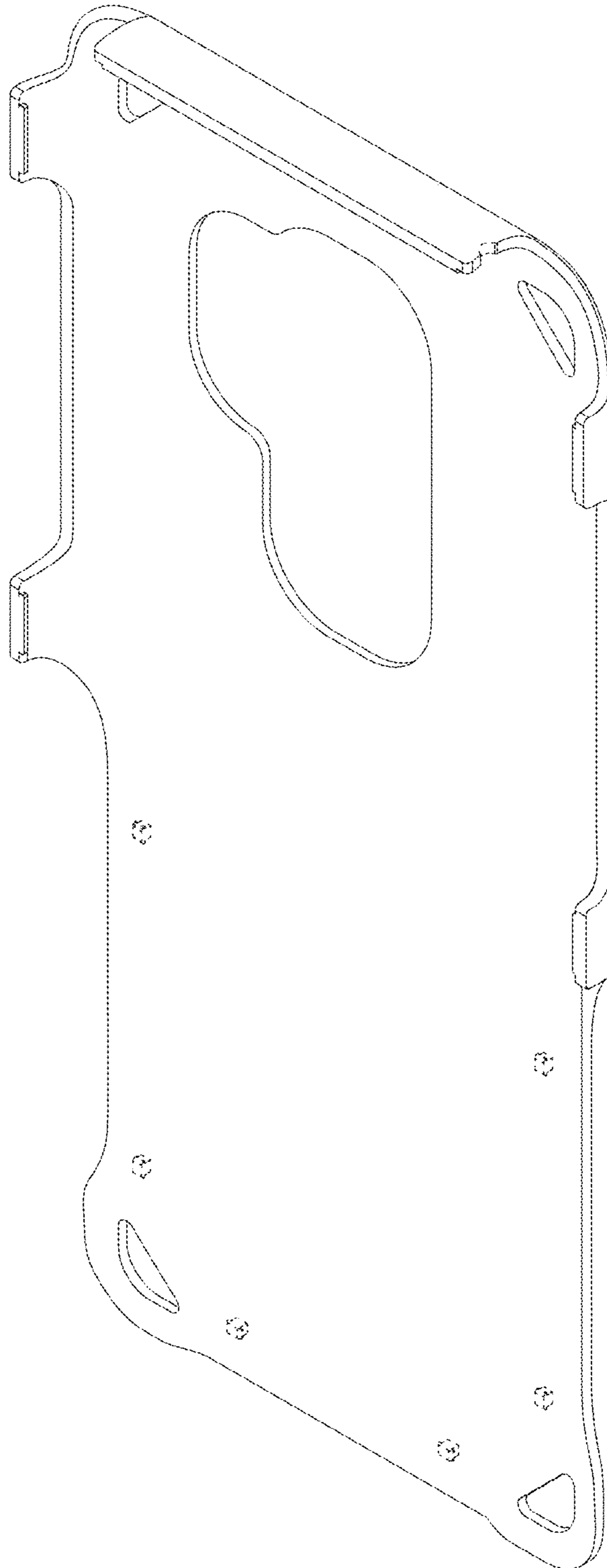


FIG. 12

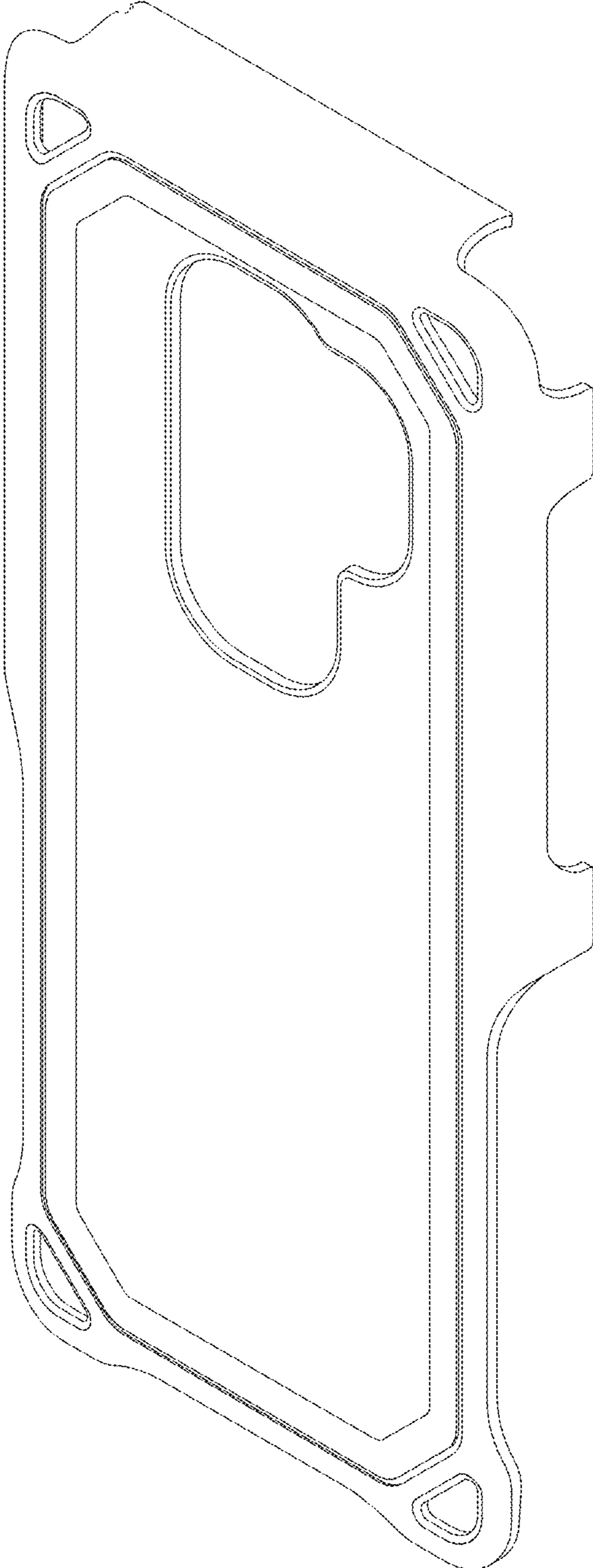


FIG. 13

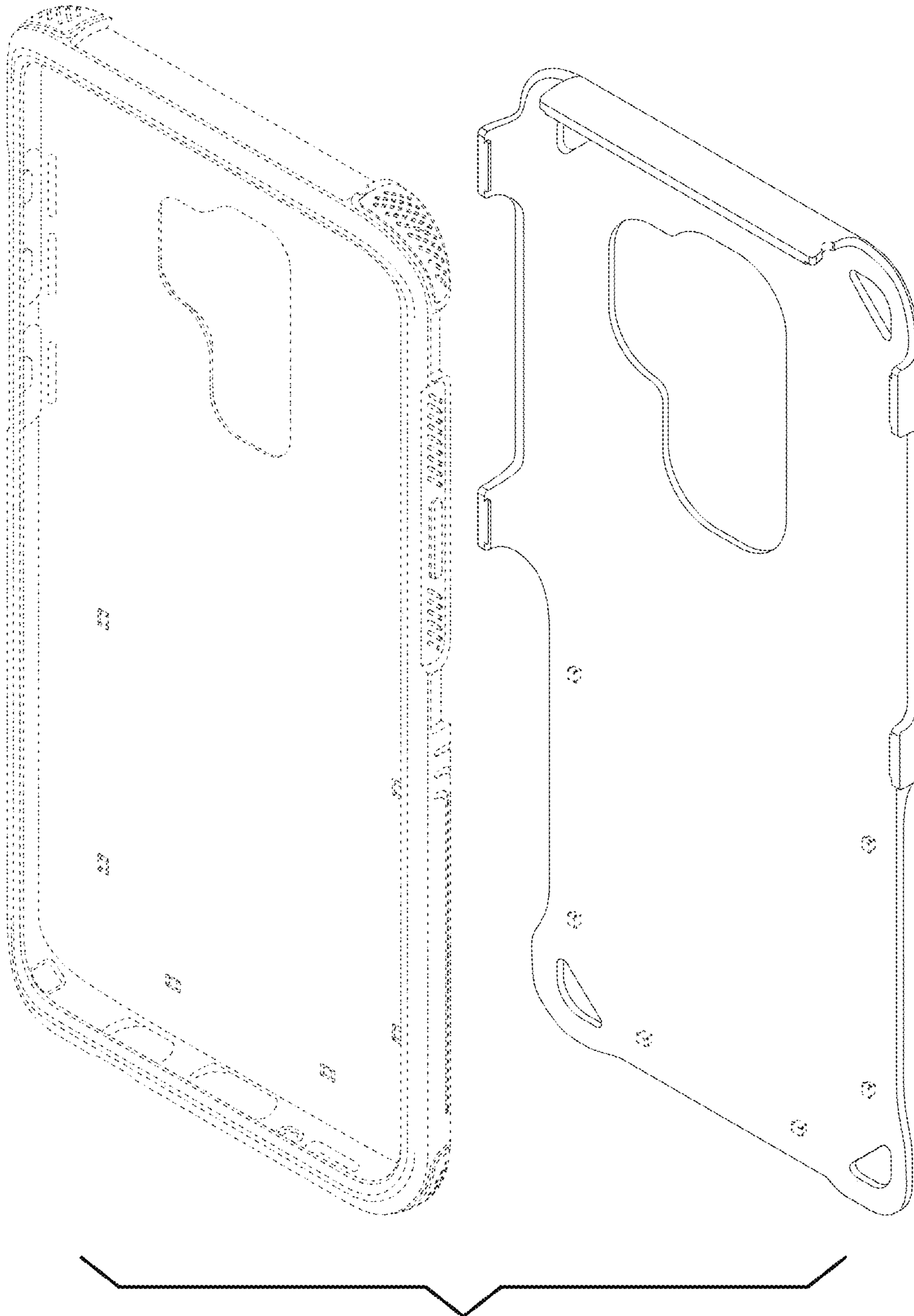


FIG. 14

