



US00D898725S

(12) **United States Design Patent**
Haddock

(10) **Patent No.:** **US D898,725 S**

(45) **Date of Patent:** **** Oct. 13, 2020**

(54) **SMART PHONE CASE**

(71) Applicant: **Dwight N. Haddock**, Crandall, TX
(US)

(72) Inventor: **Dwight N. Haddock**, Crandall, TX
(US)

(**) Term: **15 Years**

(21) Appl. No.: **29/703,300**

(22) Filed: **Aug. 26, 2019**

(51) **LOC (12) Cl.** **14-03**

(52) **U.S. Cl.**
USPC **D14/250**

(58) **Field of Classification Search**
USPC D14/217, 238.1, 240, 248, 250, 251–253,
D14/439, 440, 447; D13/107–108, 103,
D13/119; D3/201, 269, 273, 301, 218,
D3/247, 303
CPC H04B 1/3888; H04M 1/0283; H04M
1/0202; A45C 1/06; A45C 11/00; A45C
13/02; A45C 2011/002; A45F 2005/026;
A45F 2200/0525; A45F 2200/0516
See application file for complete search history.

(56) **References Cited**

U.S. PATENT DOCUMENTS

D624,064 S	9/2010	Esposito	
D631,246 S	1/2011	Boettner	
D643,433 S *	8/2011	Hsieh	D14/440
D651,205 S *	12/2011	Soekoro	D14/250
D674,380 S *	1/2013	Soekoro	D14/250
D674,800 S	1/2013	Kim	
8,428,664 B1	4/2013	Wyers	
D687,026 S *	7/2013	Ruvolo	D14/250
D690,928 S	10/2013	Zhang	
D709,690 S	7/2014	Zhang	
D711,866 S *	8/2014	Kawata	D14/250
D724,310 S *	3/2015	Dong	D3/218

D729,787 S *	5/2015	Soekoro	D14/250
D733,152 S	6/2015	Sirichai	
D749,557 S	2/2016	Feng	
D754,115 S	4/2016	Lin	
D755,764 S	5/2016	Dong	

(Continued)

Primary Examiner — Khawaja Anwar

Assistant Examiner — Mojtaba Tehrani

(74) *Attorney, Agent, or Firm* — Scott Griggs; Griggs
Bergen LLP

(57) **CLAIM**

The ornamental design for a smart phone case, as shown and described.

DESCRIPTION

FIG. 1 is a front elevation view of a smart phone case in open configuration and in condition of use, showing my new design;

FIG. 2 is a left side elevation view thereof in open configuration; the right side elevation view being a mirror image thereto;

FIG. 3 is a rear elevation view thereof in open configuration;

FIG. 4 is a front-left perspective view thereof in open configuration;

FIG. 5 is a front-left perspective view thereof in closed configuration;

FIG. 6 is a top plan view thereof in closed configuration;

FIG. 7 is a bottom plan view thereof in open configuration;

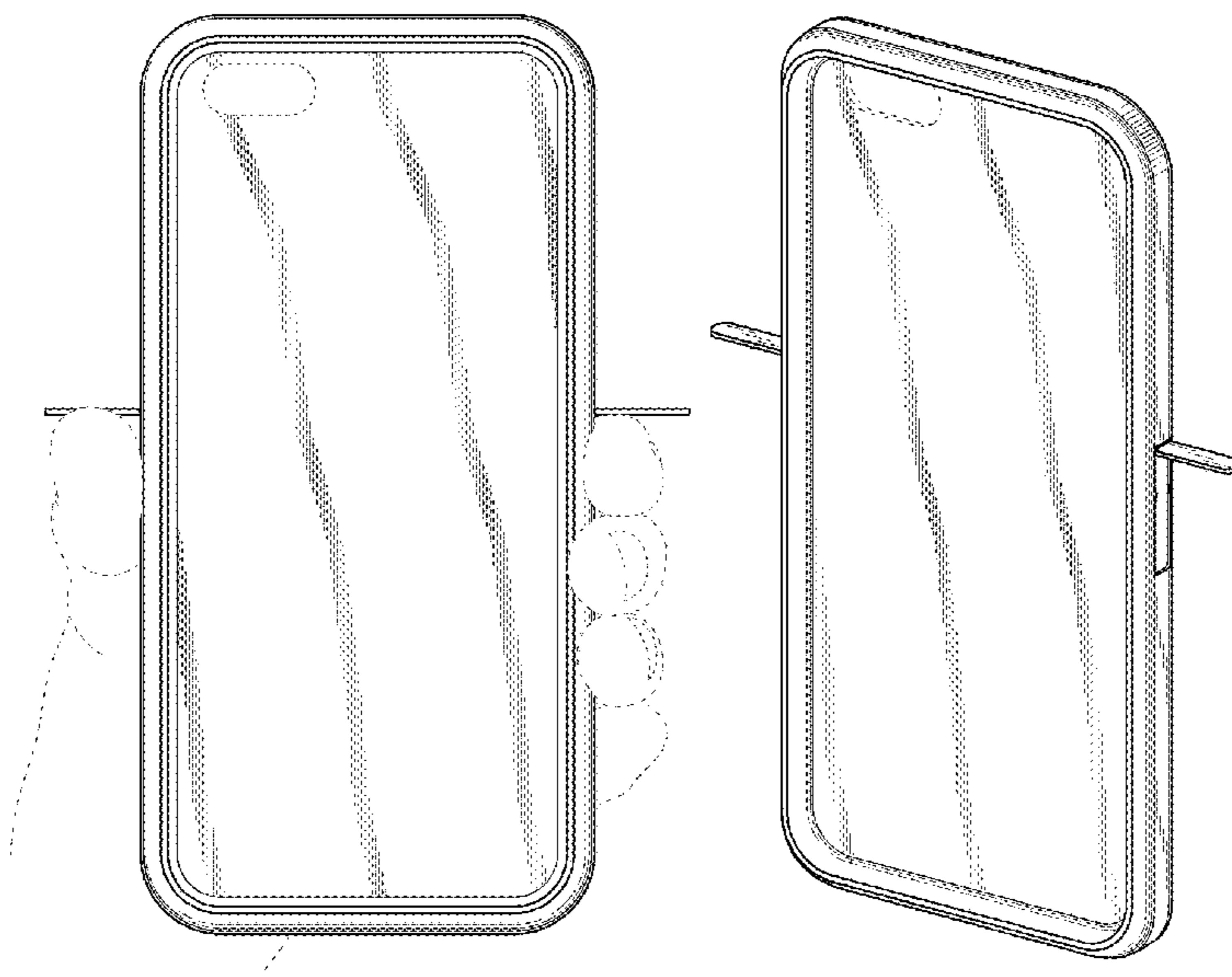
FIG. 8 is a front elevation view thereof in closed configuration;

FIG. 9 is a right elevation view thereof in closed configuration; the left side elevation view being a mirror image thereto; and,

FIG. 10 is a rear elevation view thereof in closed configuration.

The broken lines show unclaimed subject matter and form no part of the claimed design.

1 Claim, 3 Drawing Sheets



(56)

References Cited

U.S. PATENT DOCUMENTS

D756,980 S	5/2016	Beeman	
D776,646 S	1/2017	Deng	
D778,899 S	2/2017	Khalili	
D795,238 S	8/2017	Kim	
D802,572 S *	11/2017	Harris	D14/250
D803,150 S *	11/2017	Florez, Jr.	D13/107
D830,352 S	10/2018	Chung	
D837,776 S	1/2019	Chung	
D842,289 S	3/2019	Feng	
D842,291 S	3/2019	Feng	
D843,935 S *	3/2019	Luo	D13/103
D848,409 S	5/2019	Feng	
D849,735 S	5/2019	Fang	
D883,268 S *	5/2020	Daniel	D14/250

* cited by examiner

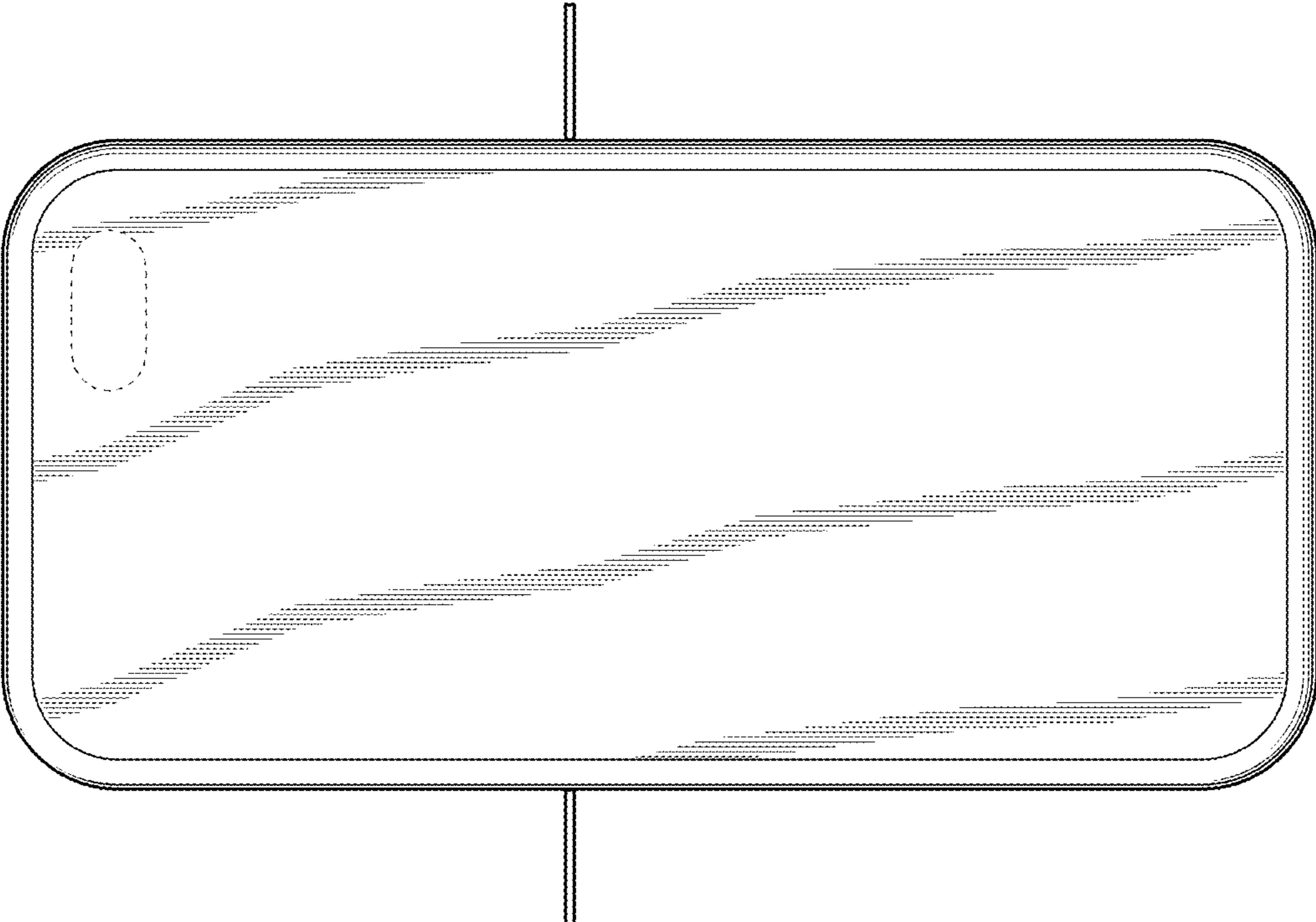


Fig.3



Fig.2

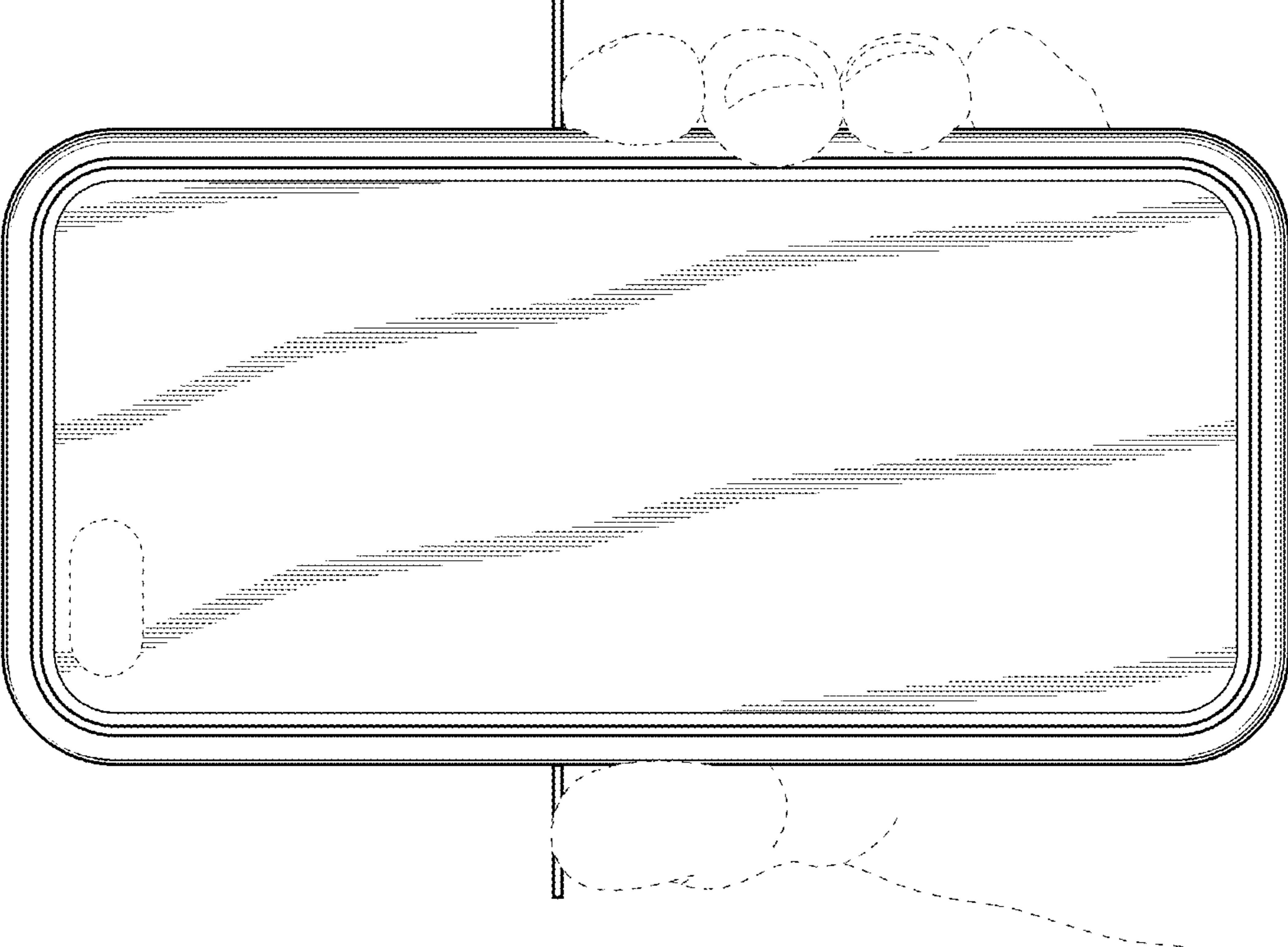


Fig.1

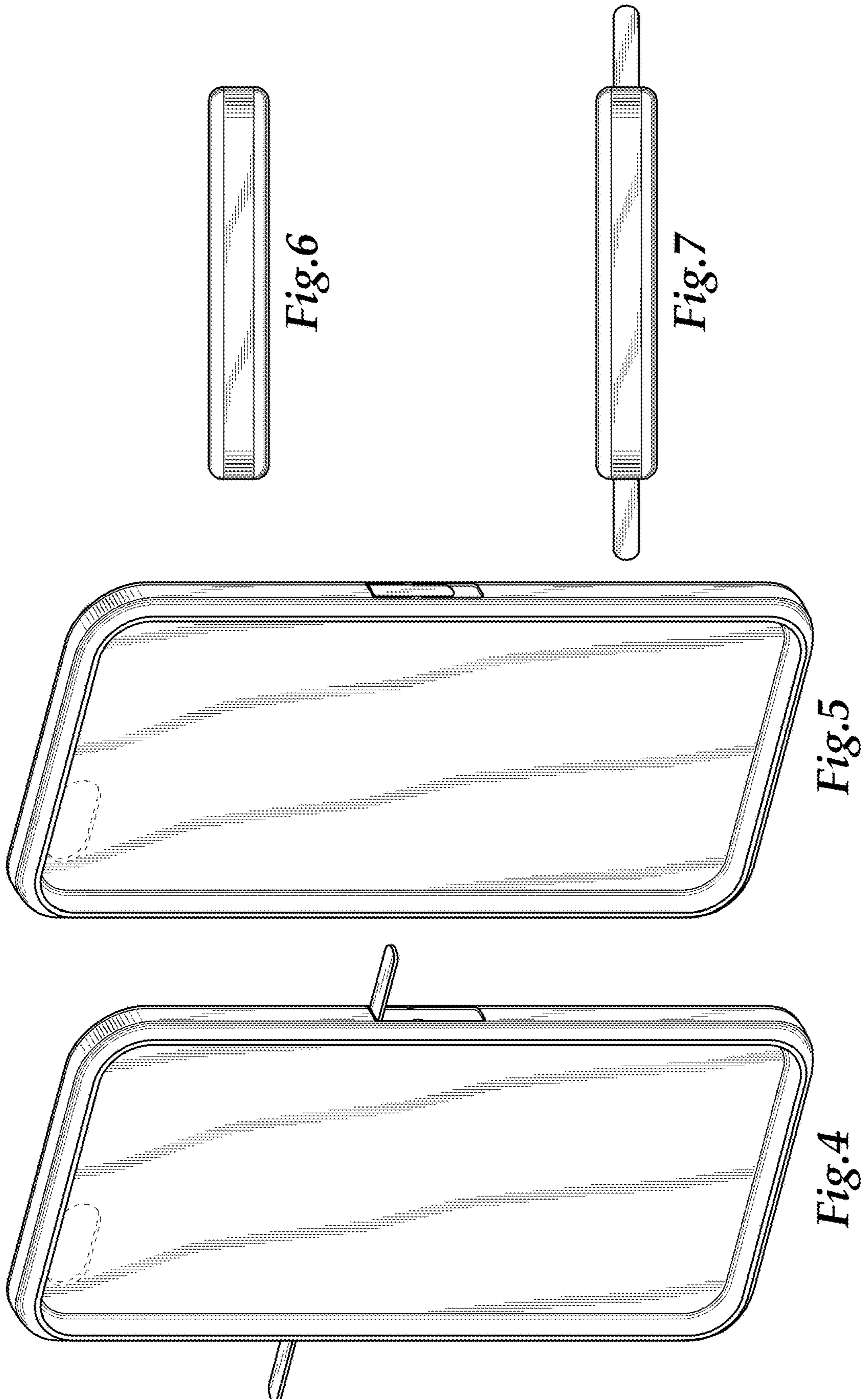


Fig.6

Fig.7

Fig.5

Fig.4

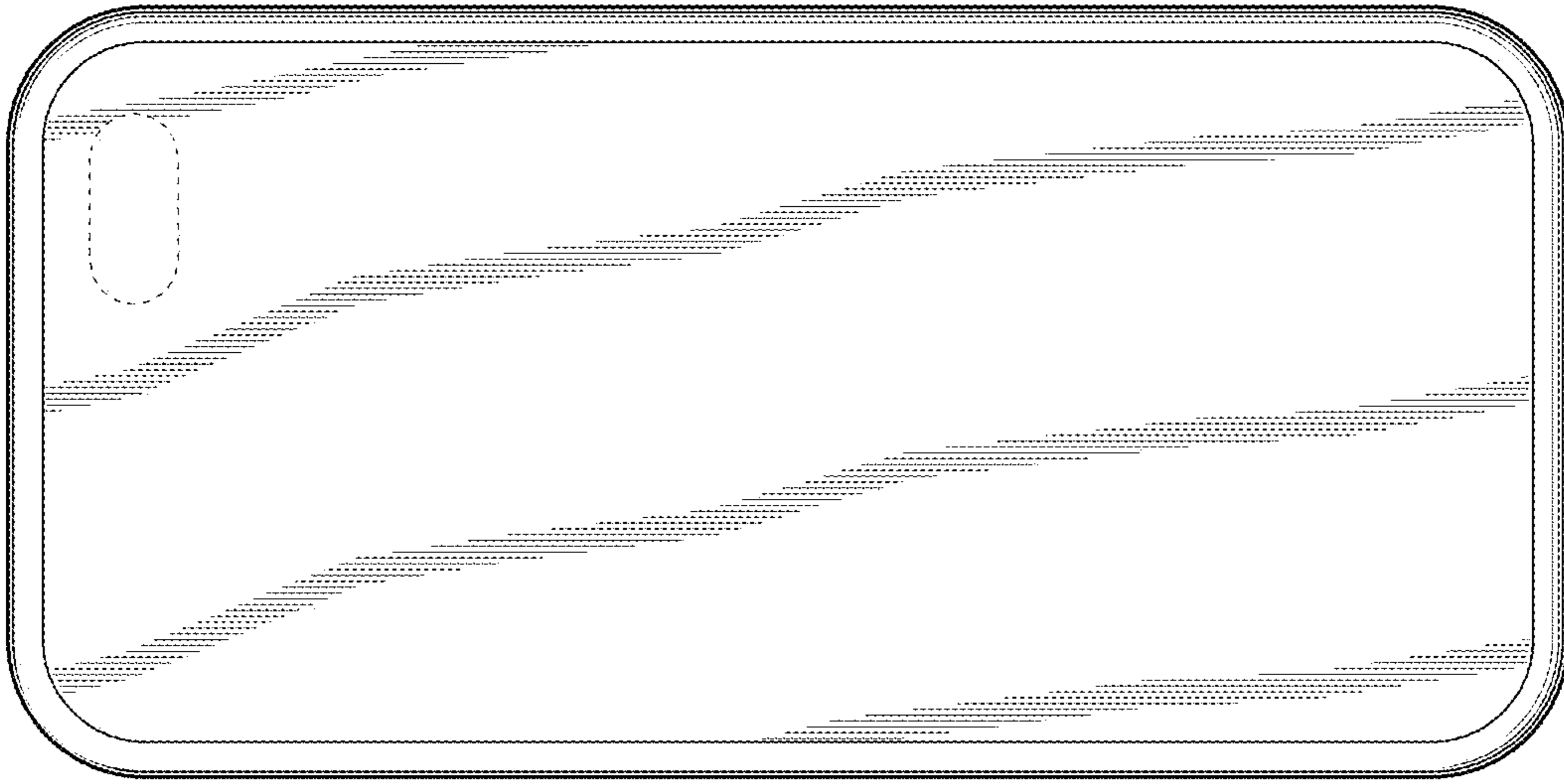


Fig. 10

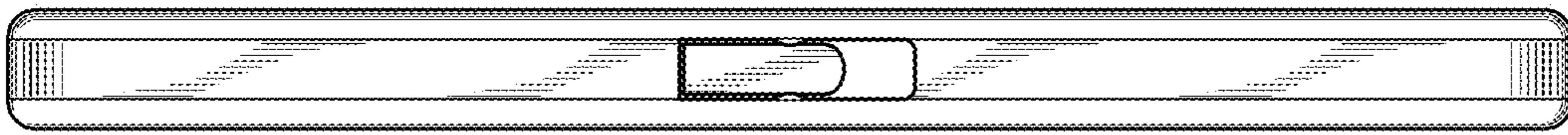


Fig. 9

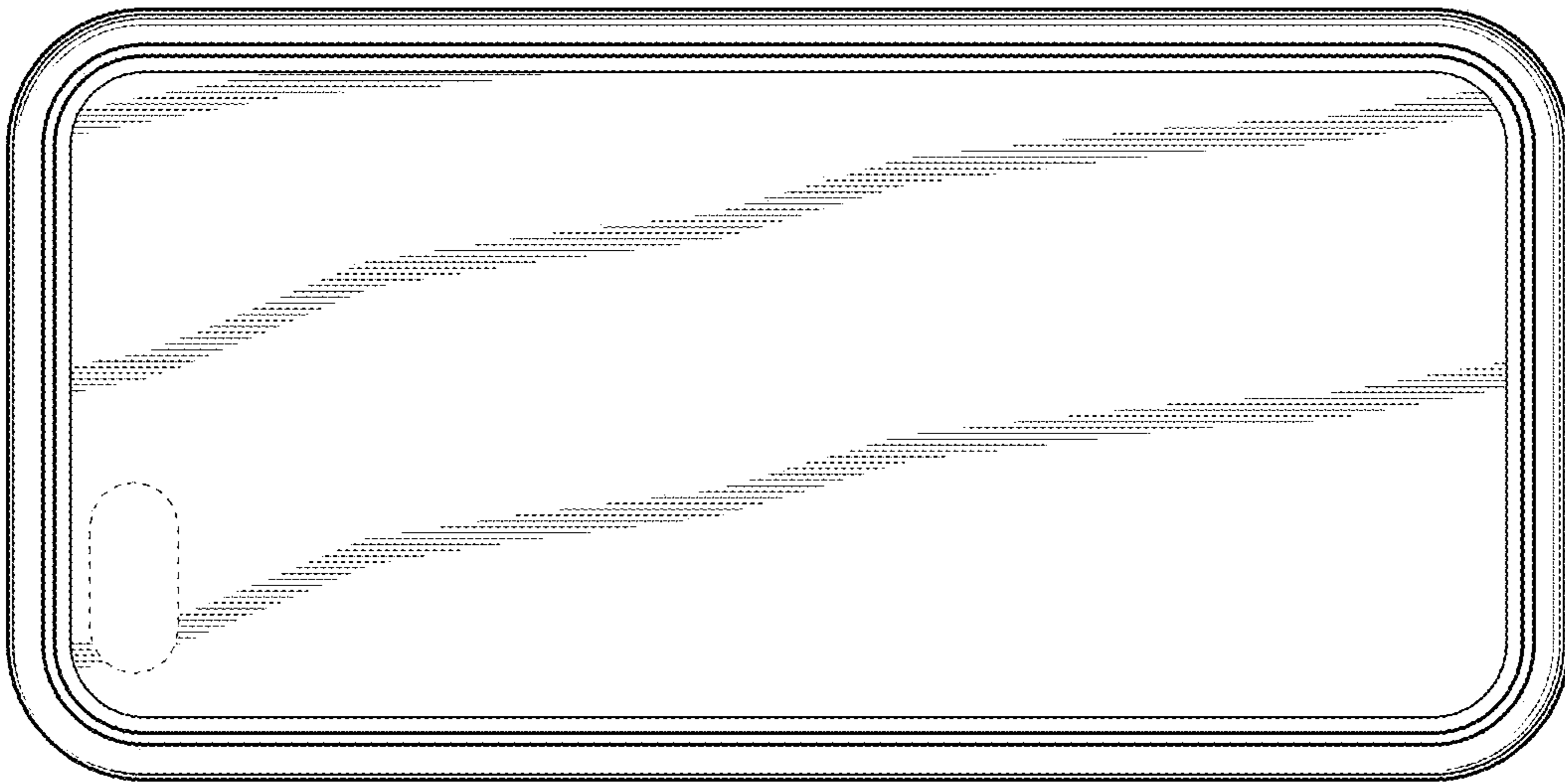


Fig. 8