



US00D898721S

(12) **United States Design Patent** (10) **Patent No.:** **US D898,721 S**
Yun (45) **Date of Patent:** **** *Oct. 13, 2020**

- (54) **CASE FOR ELECTRONIC COMMUNICATIONS DEVICE**
- (71) Applicant: **SPIGEN KOREA CO., LTD.**, Seoul (KR)
- (72) Inventor: **Sun Woo Yun**, Seoul (KR)
- (73) Assignee: **SPIGEN KOREA CO., LTD.**, Seoul (KR)
- (*) Notice: This patent is subject to a terminal disclaimer.
- (**) Term: **15 Years**
- (21) Appl. No.: **29/688,672**
- (22) Filed: **Apr. 23, 2019**
Related U.S. Application Data
- (63) Continuation of application No. 29/632,966, filed on Jan. 11, 2018, now Pat. No. Des. 849,738.
- (51) **LOC (12) Cl.** **14-03**
- (52) **U.S. Cl.**
USPC **D14/250**
- (58) **Field of Classification Search**
USPC D14/250, 203.3-203.7, 439, 238.1, 440, D14/251-253, 447, 217, 240, 248;
(Continued)

(56) **References Cited**

U.S. PATENT DOCUMENTS

- D619,361 S 7/2010 Andre et al.
- D623,640 S * 9/2010 Freeman D14/250
(Continued)

Primary Examiner — Carla J Wright

(74) *Attorney, Agent, or Firm* — Heedong Chae; Lucem, PC

(57) **CLAIM**

The ornamental design for a case for electronic communications device, as shown and described.

DESCRIPTION

FIG. 1 is a front perspective view of a case for electronic communications device showing my new design;

FIG. 2 is a rear perspective view thereof;
 FIG. 3 is a front elevational view thereof;
 FIG. 4 is a rear elevational view thereof;
 FIG. 5 is a left side elevational view thereof;
 FIG. 6 is a right side elevational view thereof;
 FIG. 7 is a top plan view thereof;
 FIG. 8 is a bottom plan view thereof;
 FIG. 9 is a front perspective view showing the inner shell component of the case in isolation;
 FIG. 10 is a rear perspective view showing the inner shell component of the case in isolation;
 FIG. 11 is a front perspective view showing the outer frame component of the case in isolation;
 FIG. 12 is a rear perspective view showing the outer frame component of the case in isolation;
 FIG. 13 is a front perspective view showing the rear compartment cover component of the case in isolation;
 FIG. 14 is a rear perspective view showing the rear compartment cover component of the case in isolation;
 FIG. 15 is an exploded front perspective view showing the components of the case separated;
 FIG. 16 is an exploded rear perspective view showing the components of the case separated; and,
 FIG. 17 is a rear perspective view of the case showing the rear compartment cover in an open position.

For clarity of disclosure, the components of the case are shown in isolation in FIGS. 9-14 and separated in FIGS. 15-16. Although the case for electronic communications device, in which the claimed design is embodied, has an inner shell component, an outer frame component, and a rear compartment cover component, the claim is directed to the overall ornamental appearance of the case in its entirety and does not extend to the ornamental appearance of each of the individual components.

The broken lines throughout the drawing figures depict portions of the case for electronic communications device that form no part of the claimed design. The broken lines, regions bounded by broken lines, and interior surfaces of the case shown in FIGS. 1, 3, 9, and 15 form no part of the claimed design.

1 Claim, 17 Drawing Sheets

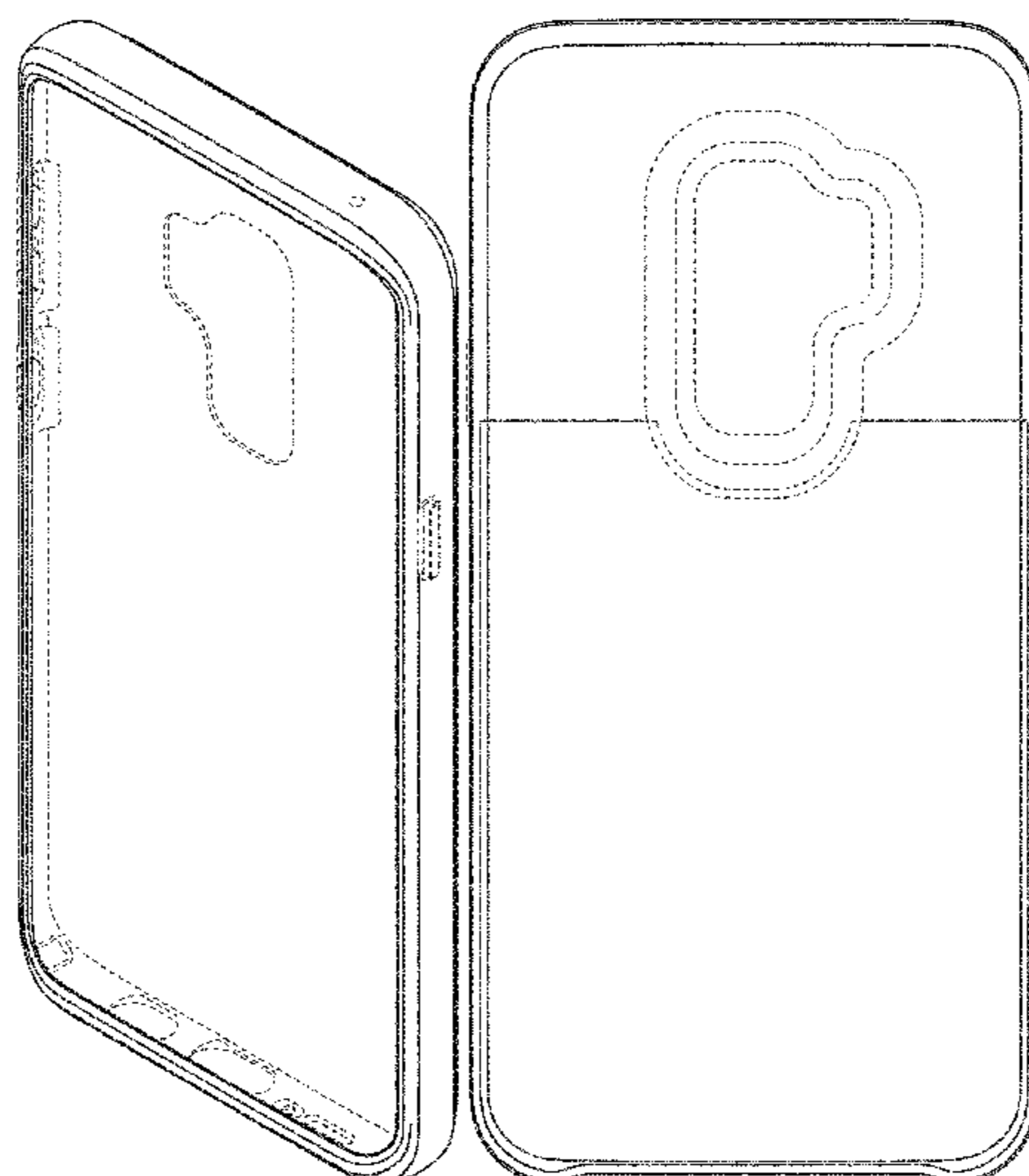


FIG. 1

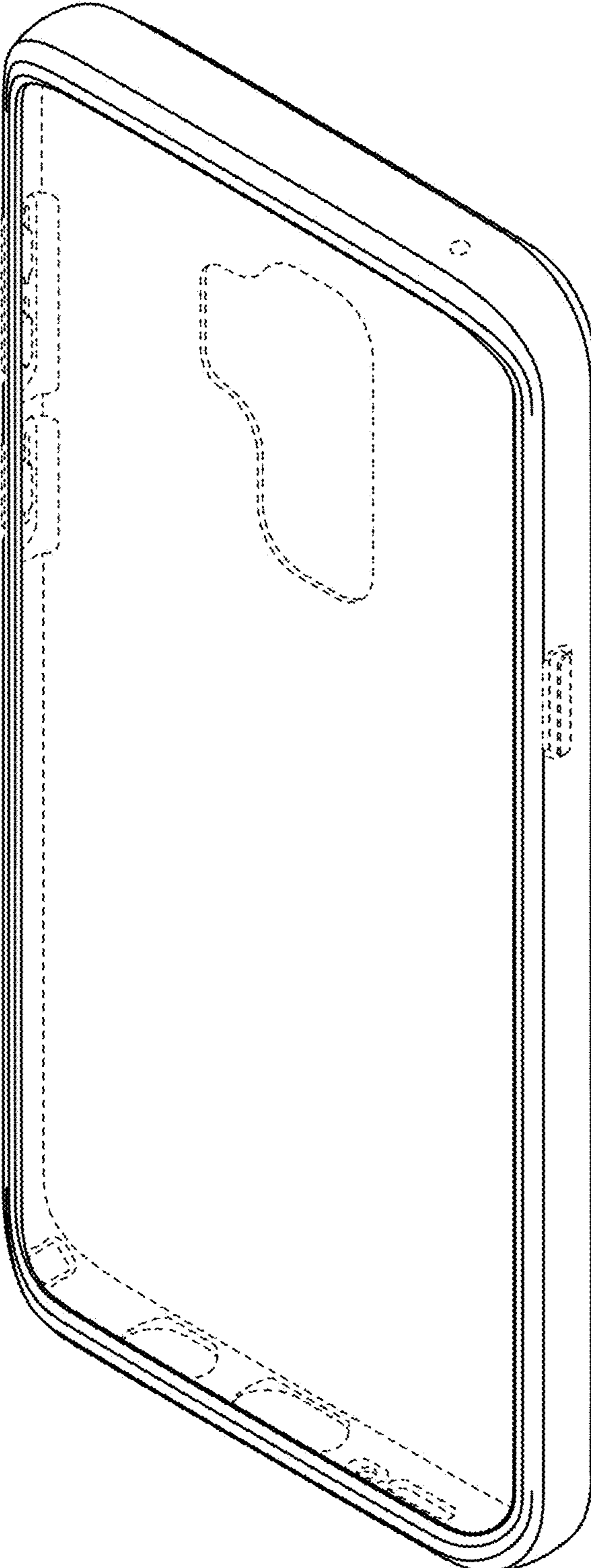


FIG. 2

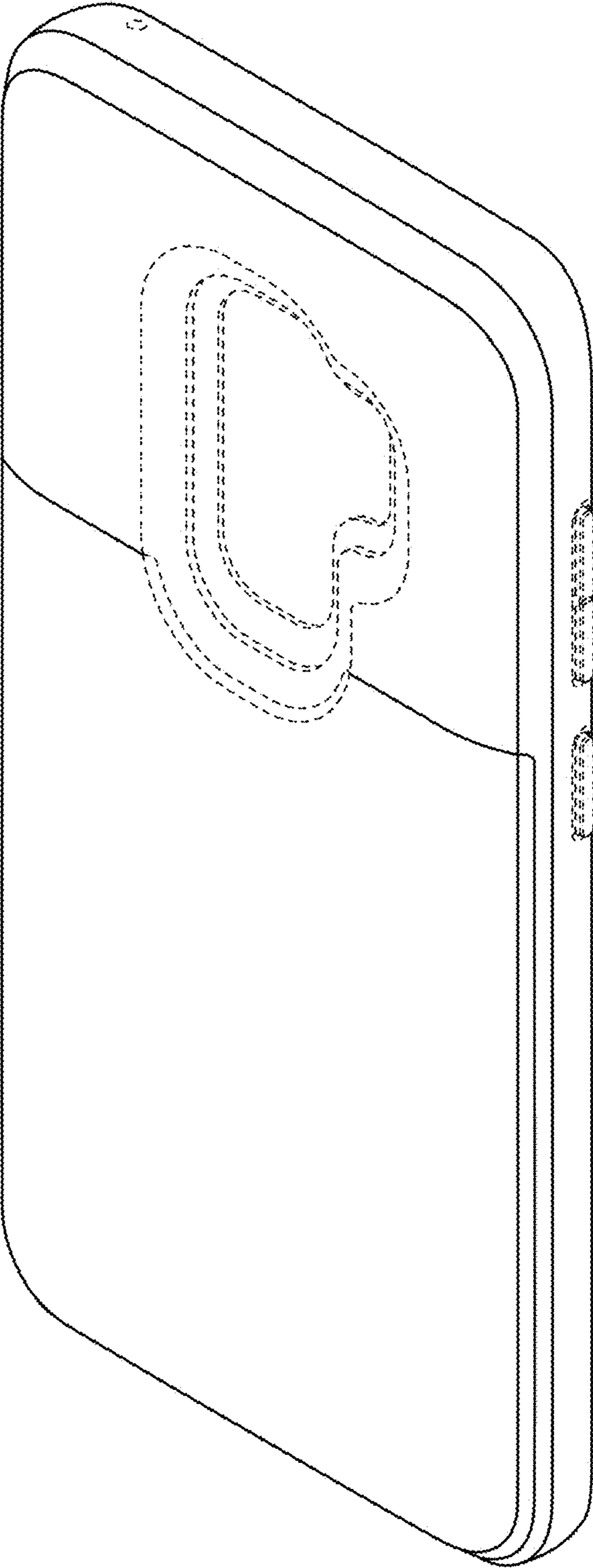


FIG. 3

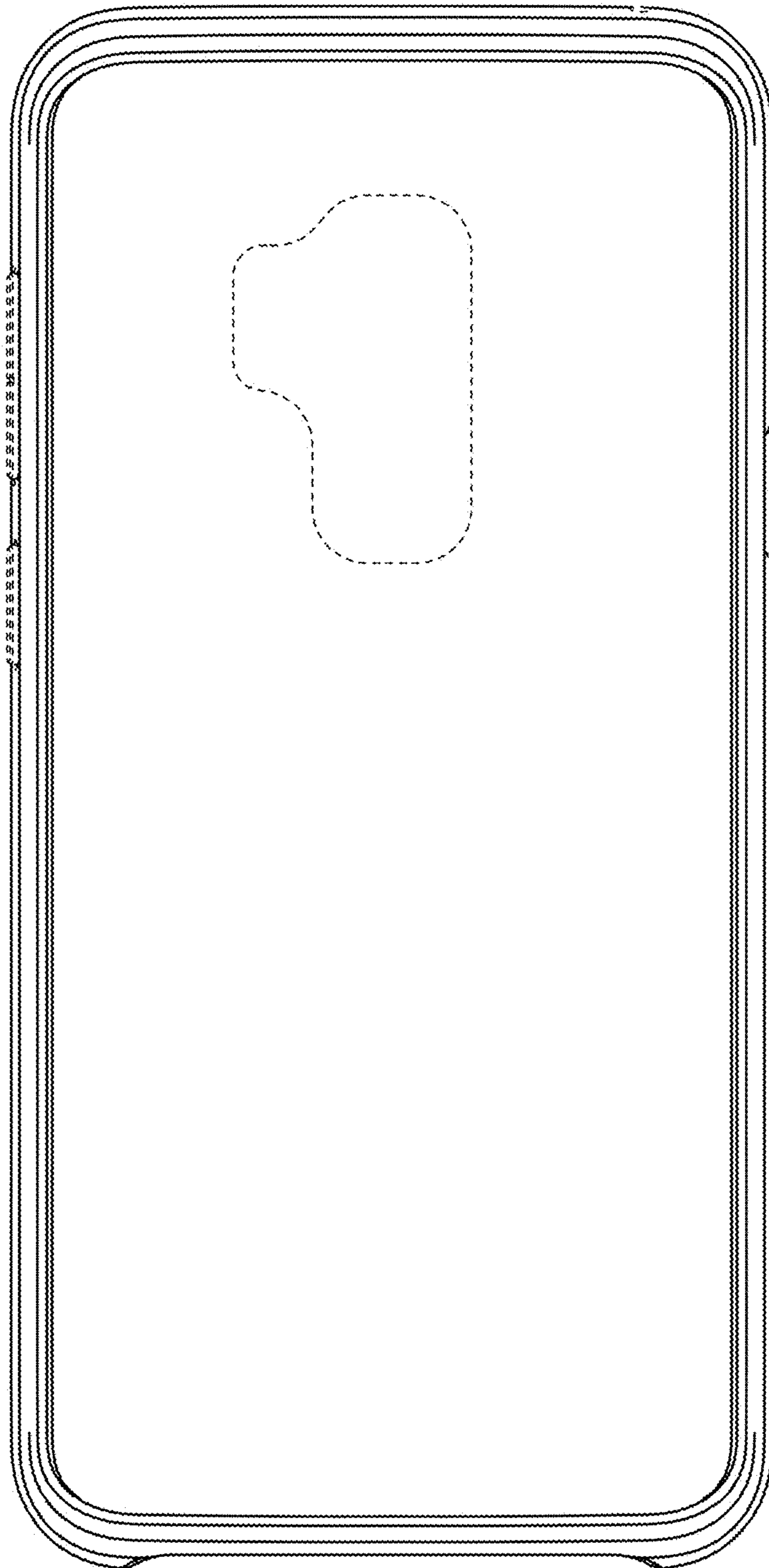


FIG. 4

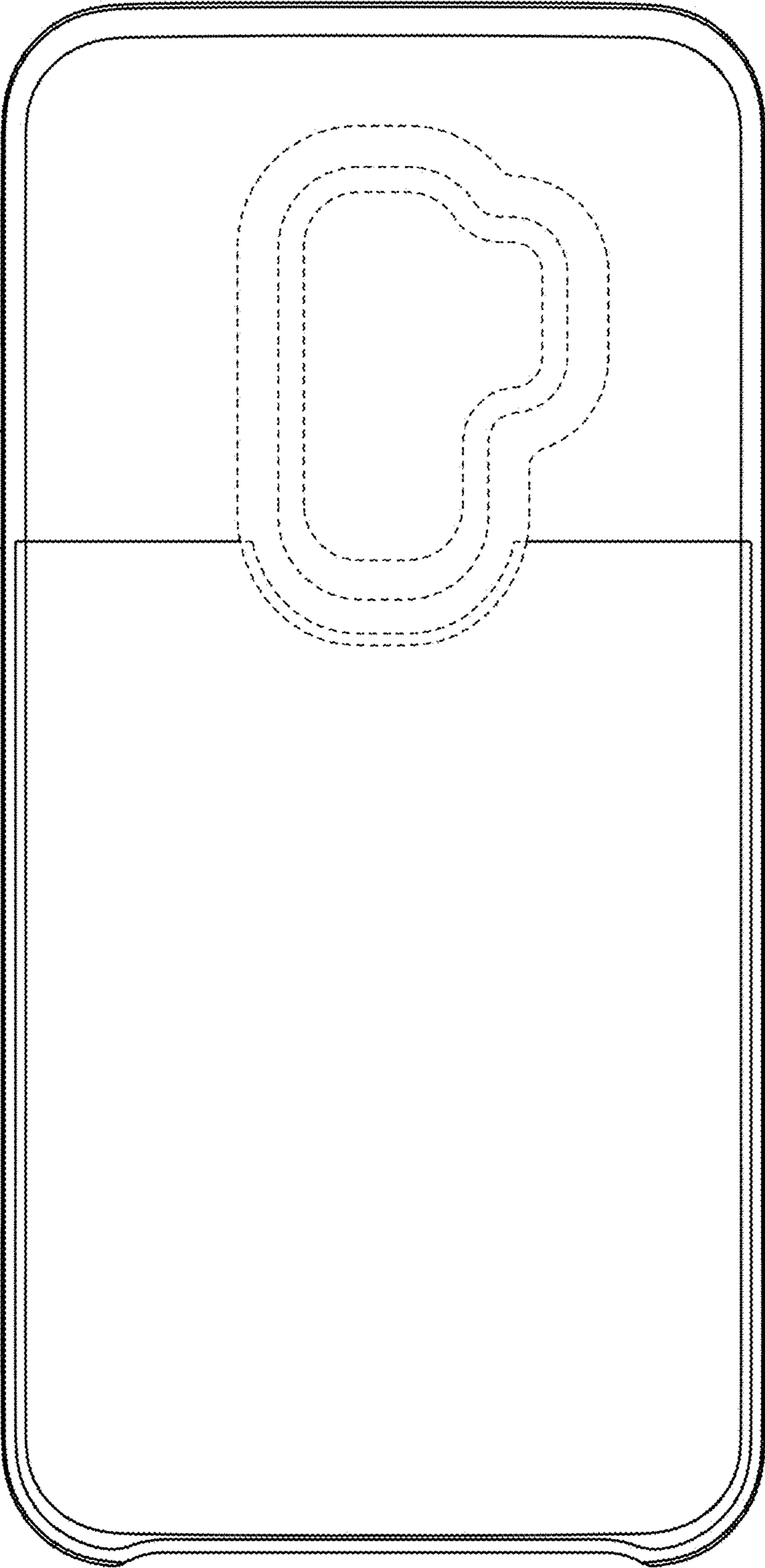


FIG. 5

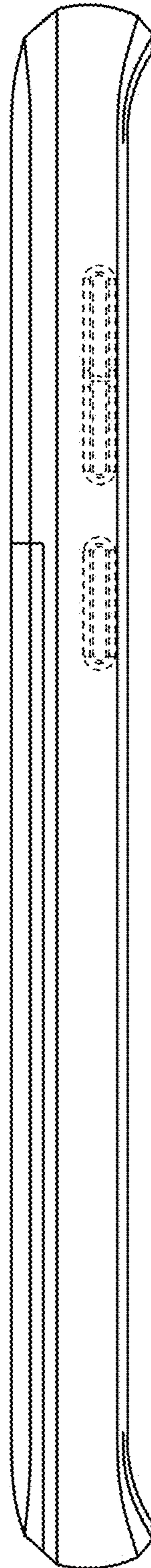


FIG. 6

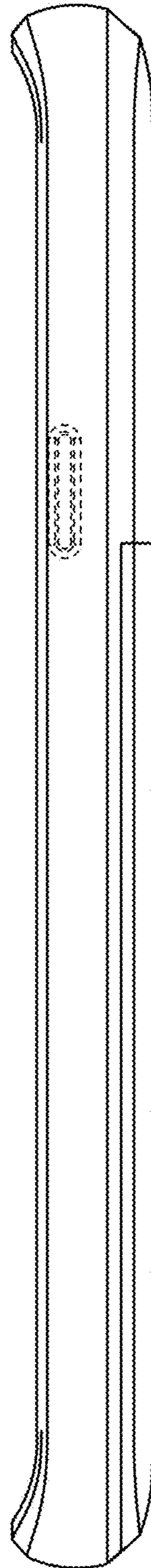


FIG. 7

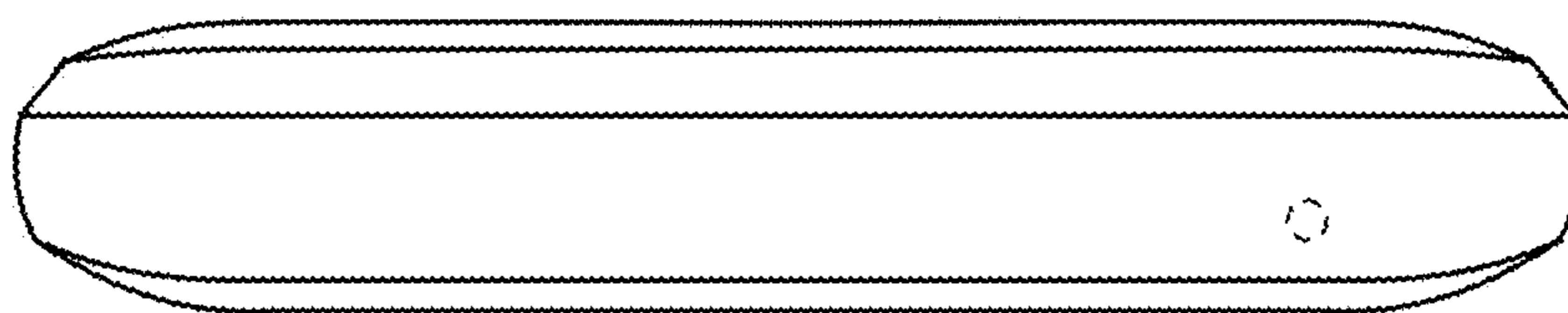


FIG. 8

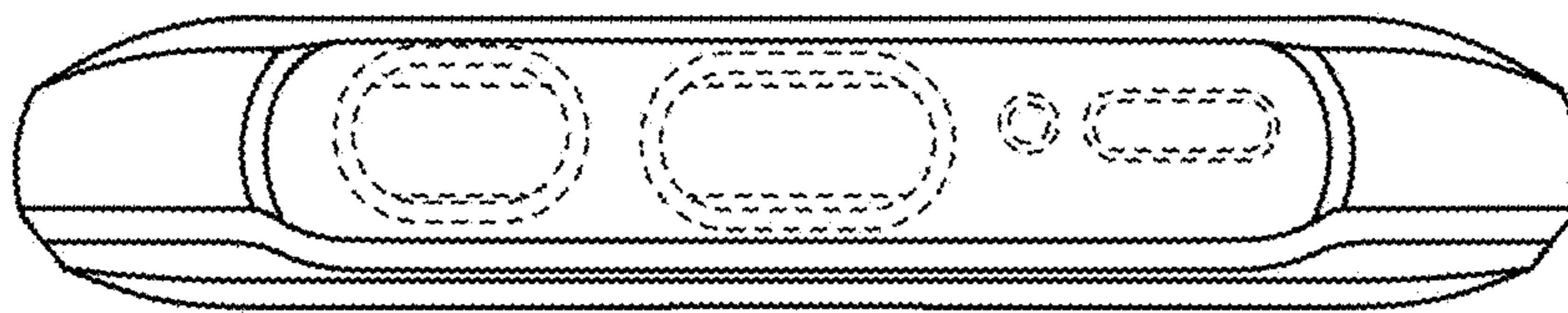


FIG. 9

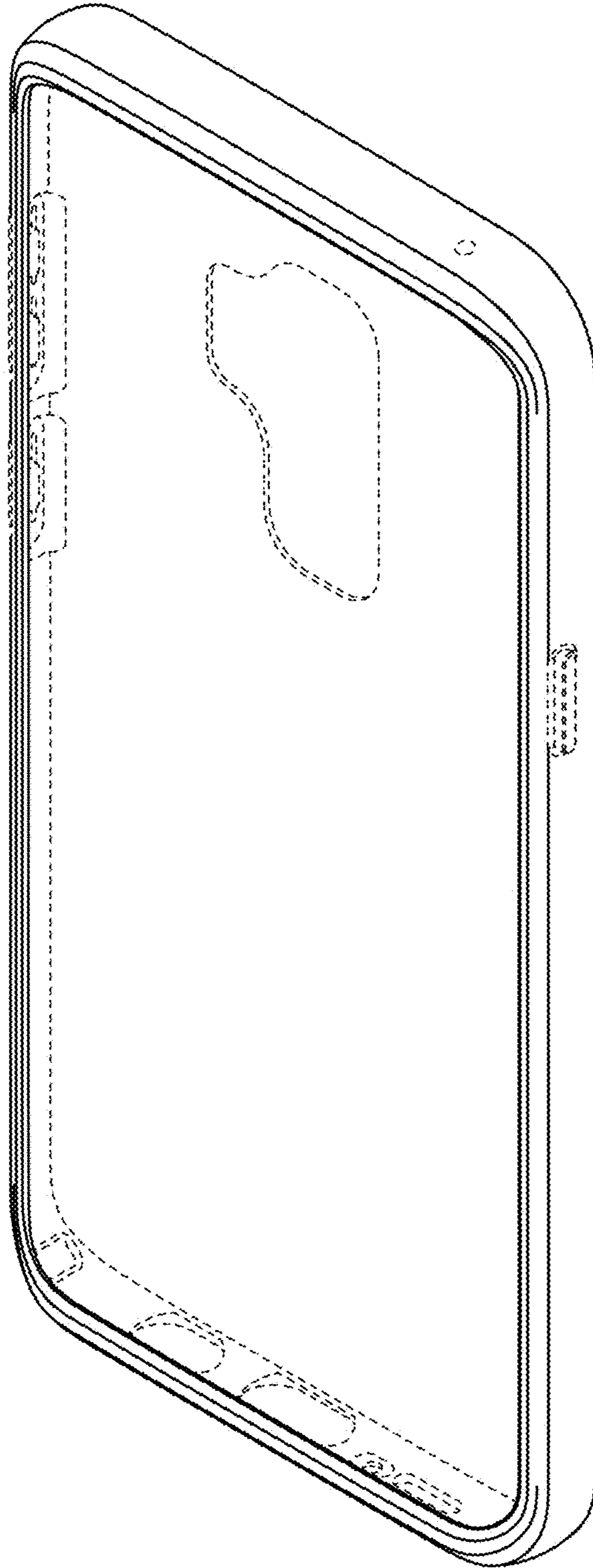


FIG. 10

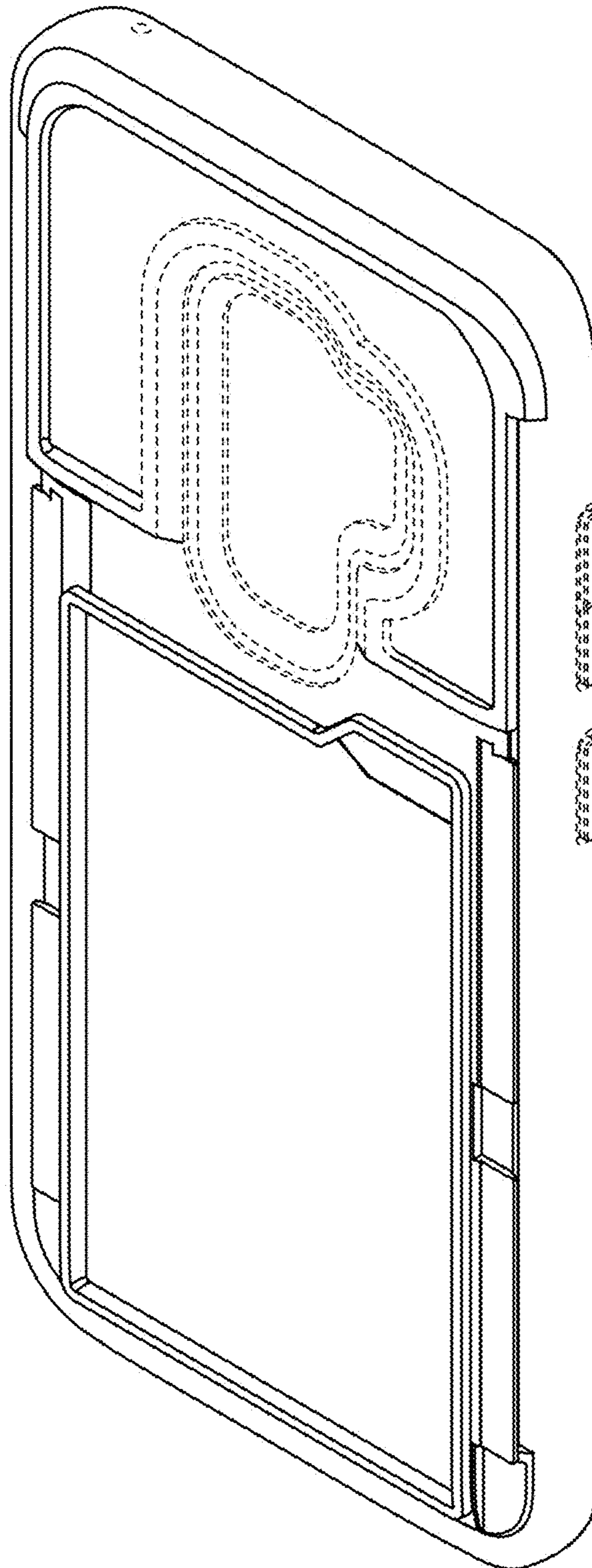


FIG. 11

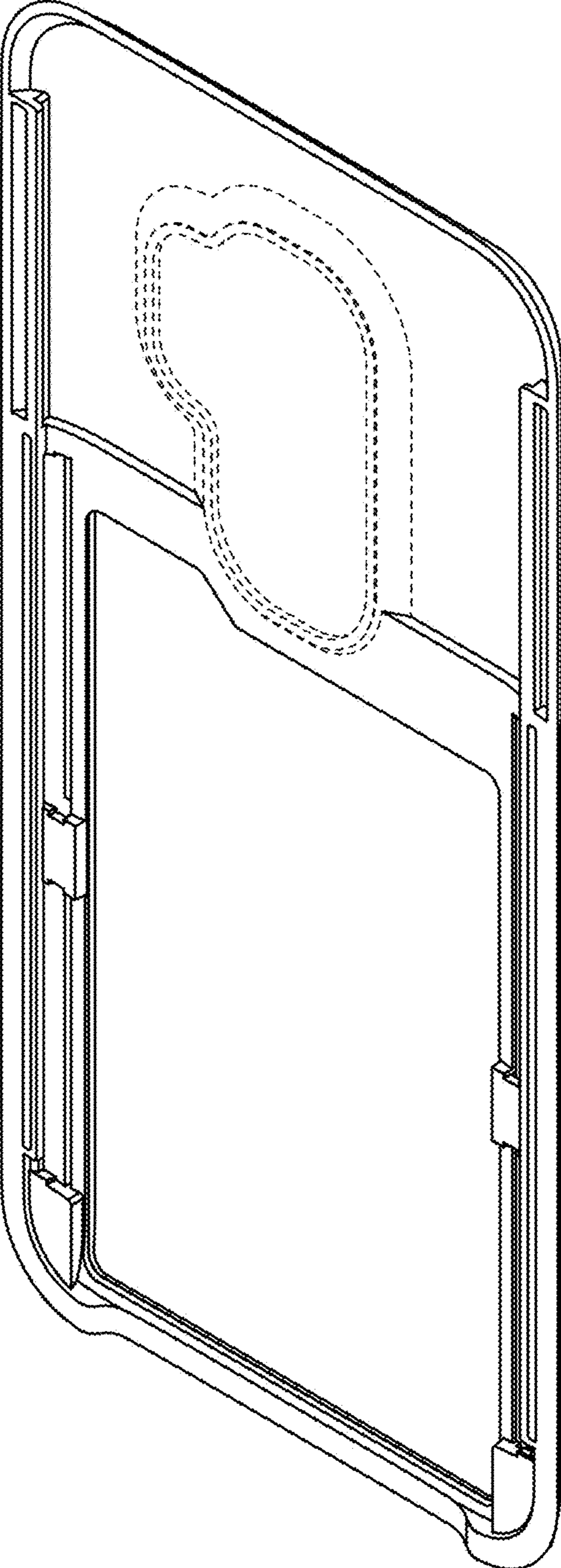


FIG. 12

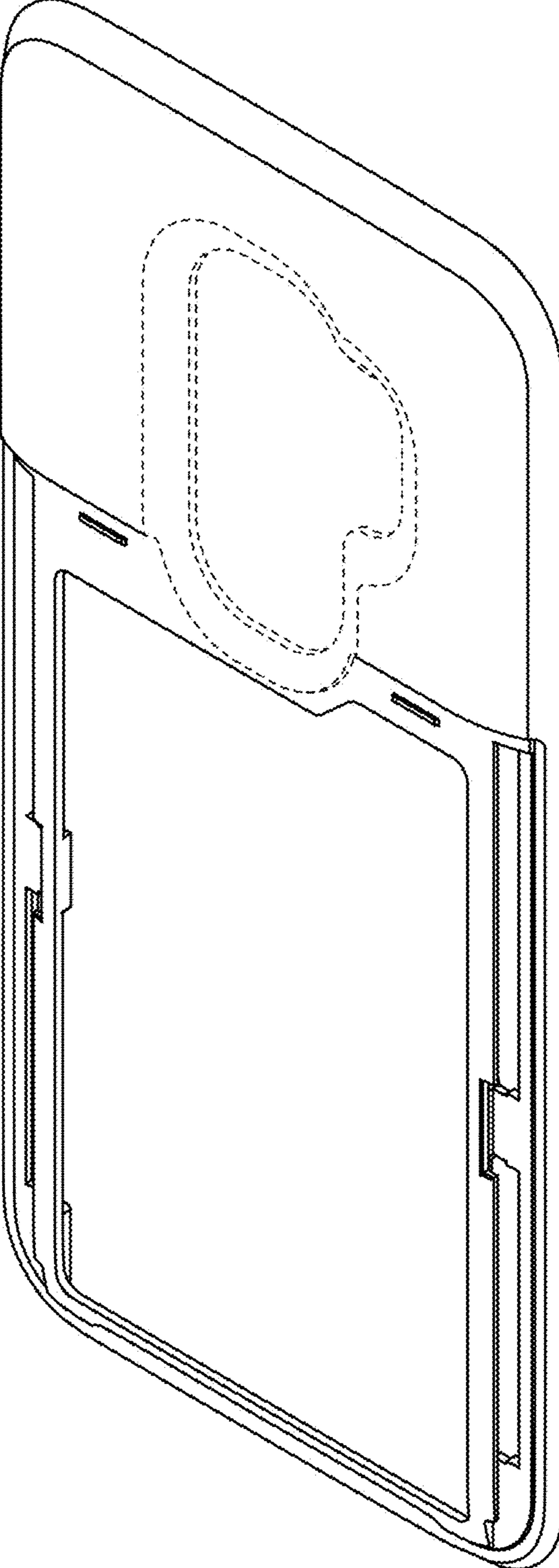


FIG. 13

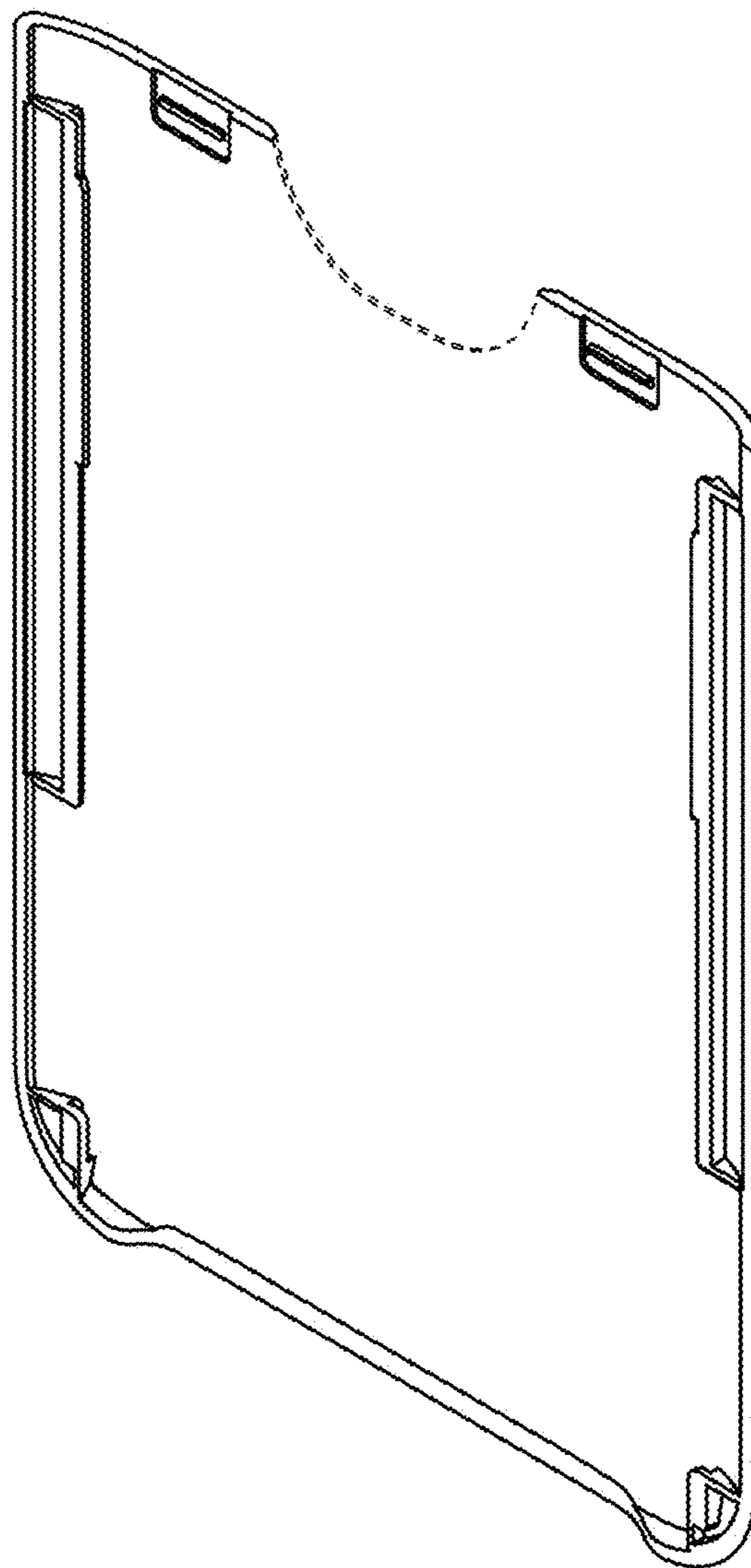


FIG. 14

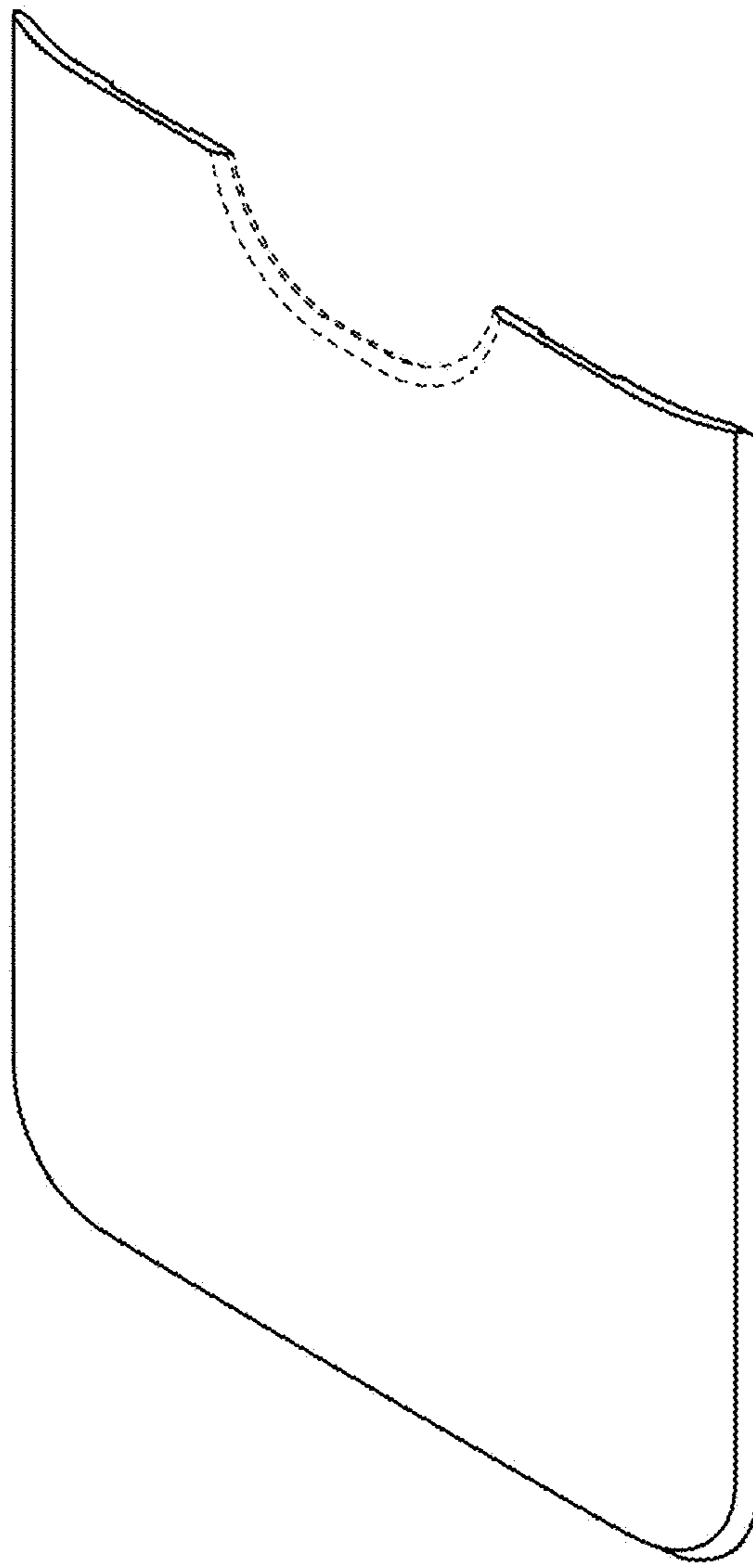


FIG. 15

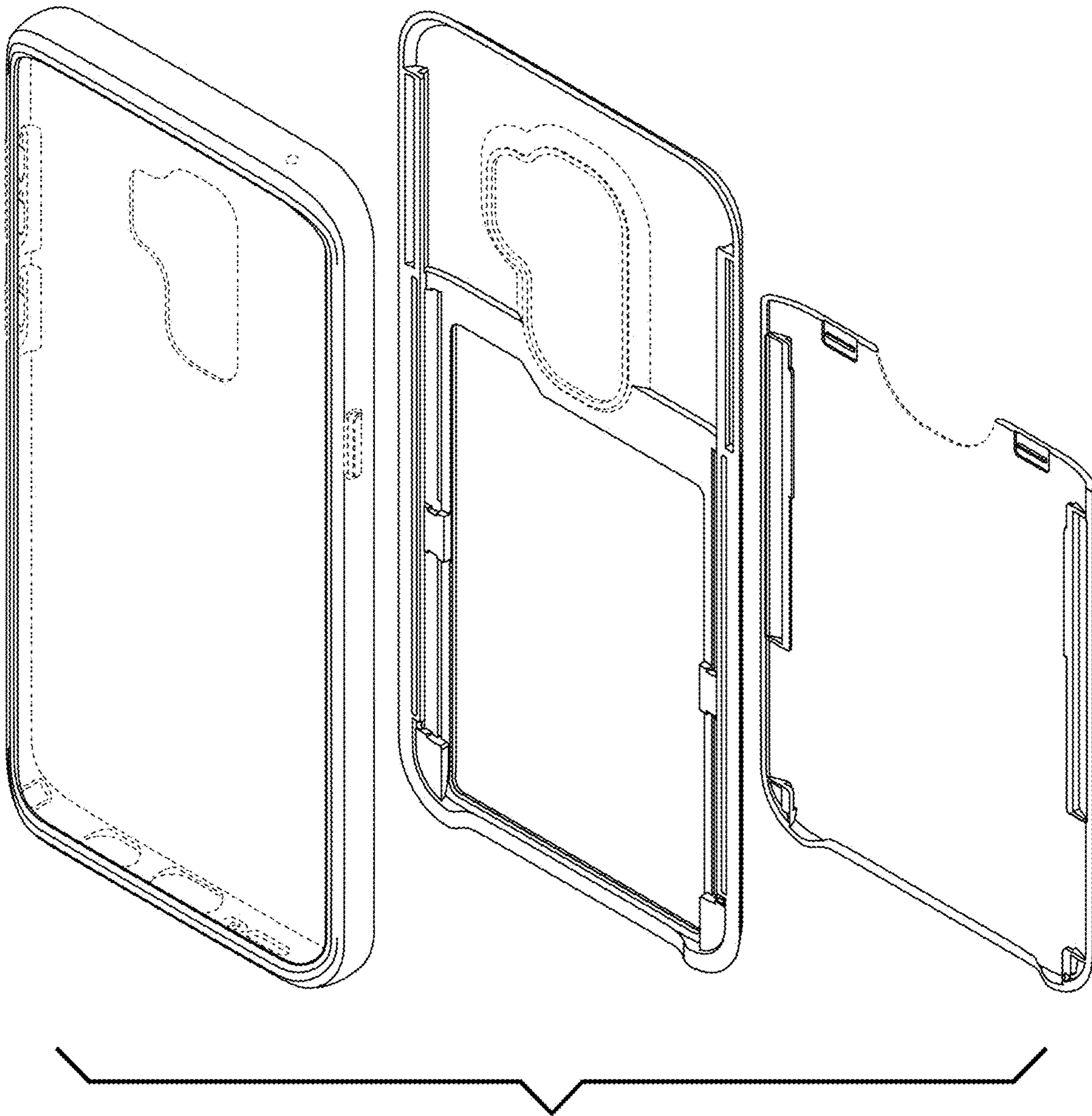


FIG. 16

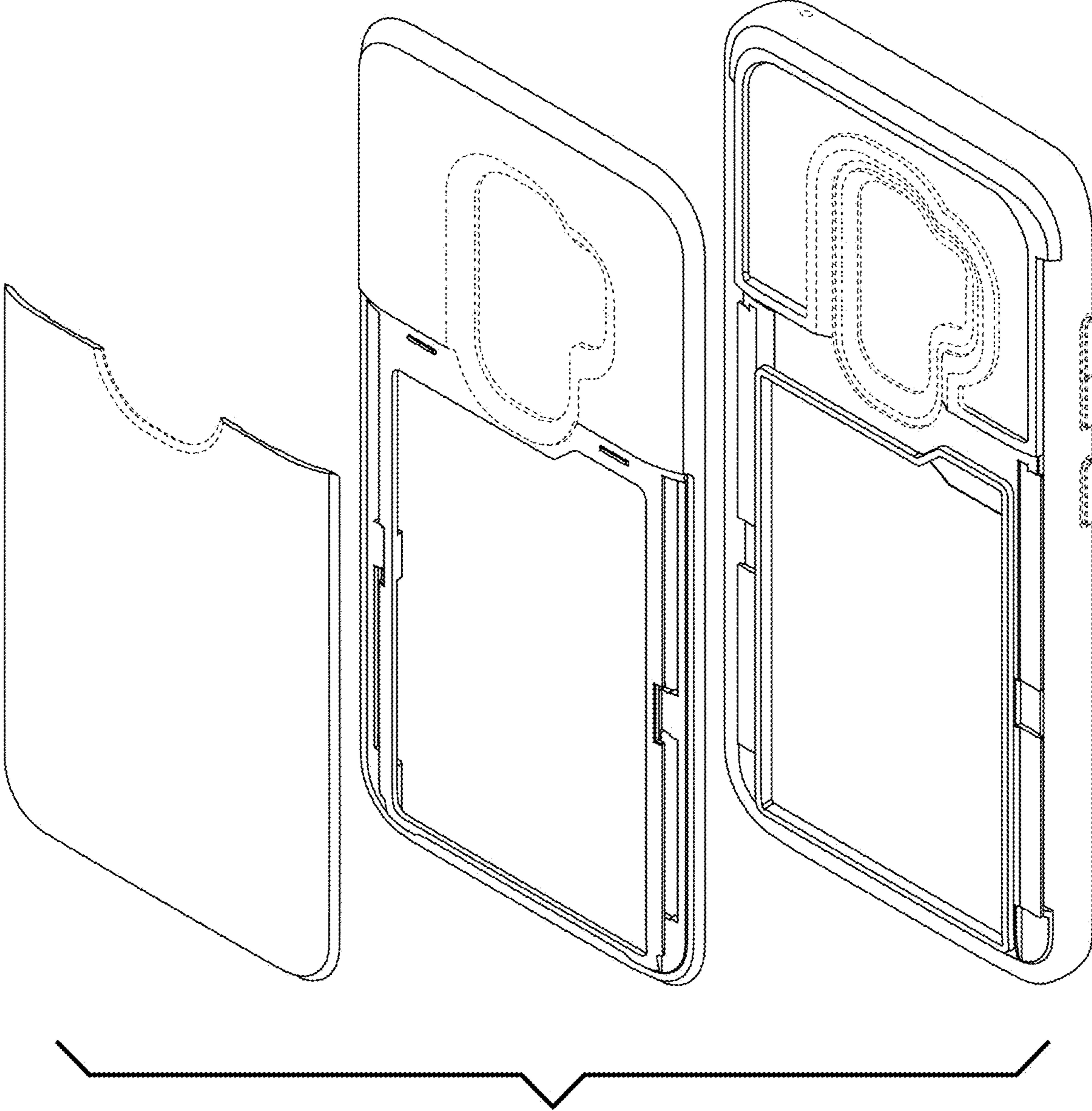


FIG. 17

