



US00D898714S

(12) **United States Design Patent**  
**Fan et al.**

(10) **Patent No.:** **US D898,714 S**  
(45) **Date of Patent:** **\*\* Oct. 13, 2020**

(54) **MOBILE PHONE**

*Primary Examiner* — Jeffrey D Asch

(71) Applicant: **Guangdong Oppo Mobile  
Telecommunications Corp., Ltd.,**  
Dongguan, Guangdong (CN)

(57) **CLAIM**

The ornamental design for a mobile phone, as shown and described.

(72) Inventors: **Xiaoyu Fan**, Guangdong (CN);  
**Zhengshan Zhang**, Guangdong (CN)

**DESCRIPTION**

(73) Assignee: **GUANGDONG OPPO MOBILE  
TELECOMMUNICATION CORP.,  
LTD.**, Dongguan (CN)

FIG. 1 is front view of the mobile phone showing our new design.

FIG. 2 is a rear view of the mobile phone of FIG. 1.

FIG. 3 is a left side view of the mobile phone of FIG. 1.

FIG. 4 is a right side view of the mobile phone of FIG. 1.

FIG. 5 is a top plan view of the mobile phone of FIG. 1.

FIG. 6 is a bottom plan view of the mobile phone of FIG. 1.

FIG. 7 is a front, left perspective view of the mobile phone of FIG. 1.

FIG. 8 is a front, right perspective view of the mobile phone of FIG. 1.

FIG. 9 is a front view of the mobile phone of FIG. 1 in an open state.

FIG. 10 is a rear view of the mobile phone of FIG. 1 in the open state.

FIG. 11 is a left side view of the mobile phone of FIG. 1 in the open state.

FIG. 12 is a right side view of the mobile phone of FIG. 1 in the open state.

FIG. 13 is a top plan view of the mobile phone of FIG. 1 in the open state.

FIG. 14 is a bottom plan view of the mobile phone of FIG. 1 in the open state.

FIG. 15 is a front, left perspective view of the mobile phone of FIG. 1 in the open state.

FIG. 16 is a rear, left perspective view of the mobile phone of FIG. 1 in the open state.

FIG. 17 is an enlarged view of the portion encircled and marked with A in FIG. 1.

FIG. 18 is an enlarged view of the portion encircled and marked with B in FIG. 1.

FIG. 19 is an enlarged view of the portion encircled and marked with C in FIG. 2.

FIG. 20 is an enlarged view of the portion encircled and marked with D in FIG. 2.

(\*\*) Term: **15 Years**

(21) Appl. No.: **29/658,952**

(22) Filed: **Aug. 3, 2018**

(30) **Foreign Application Priority Data**

Feb. 5, 2018 (CN) ..... 2018 3 0057831

May 24, 2018 (CN) ..... 2018 3 0260880

(51) **LOC (12) Cl.** ..... **14-03**

(52) **U.S. Cl.**  
USPC ..... **D14/248**

(58) **Field of Classification Search**  
USPC ..... D14/138 AD, 138 AB, 345, 346, 203.3,  
D14/203.4, 203.7, 138 R, 138 AA, 248,  
(Continued)

(56) **References Cited**

**U.S. PATENT DOCUMENTS**

2,306,931 A \* 12/1942 Booth ..... A47B 1/08  
108/86

D416,343 S \* 11/1999 Dalton ..... D26/37  
(Continued)

**FOREIGN PATENT DOCUMENTS**

CN 302725932 S 1/2014

CN 304642219 S 5/2018

(Continued)

(Continued)

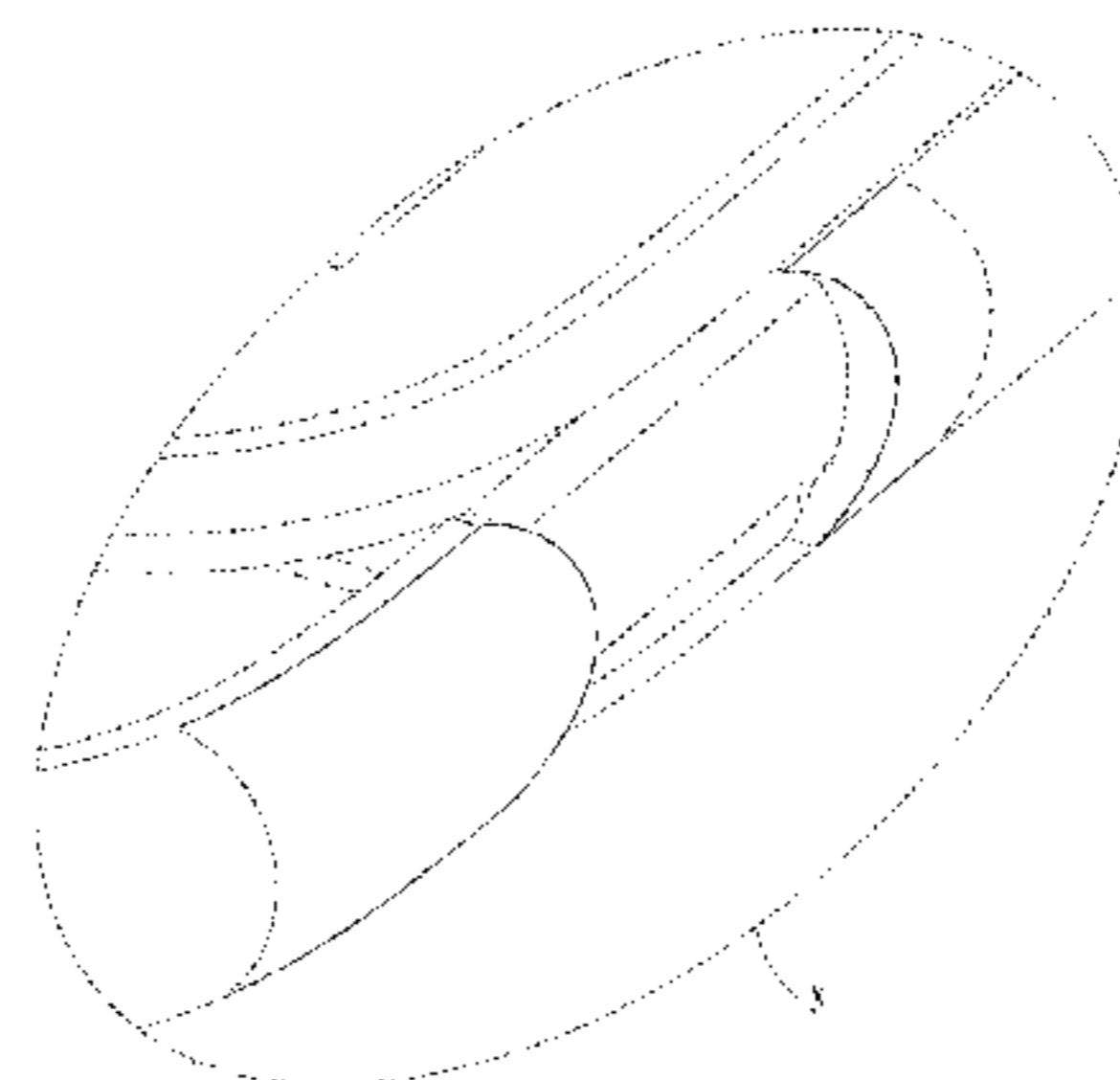
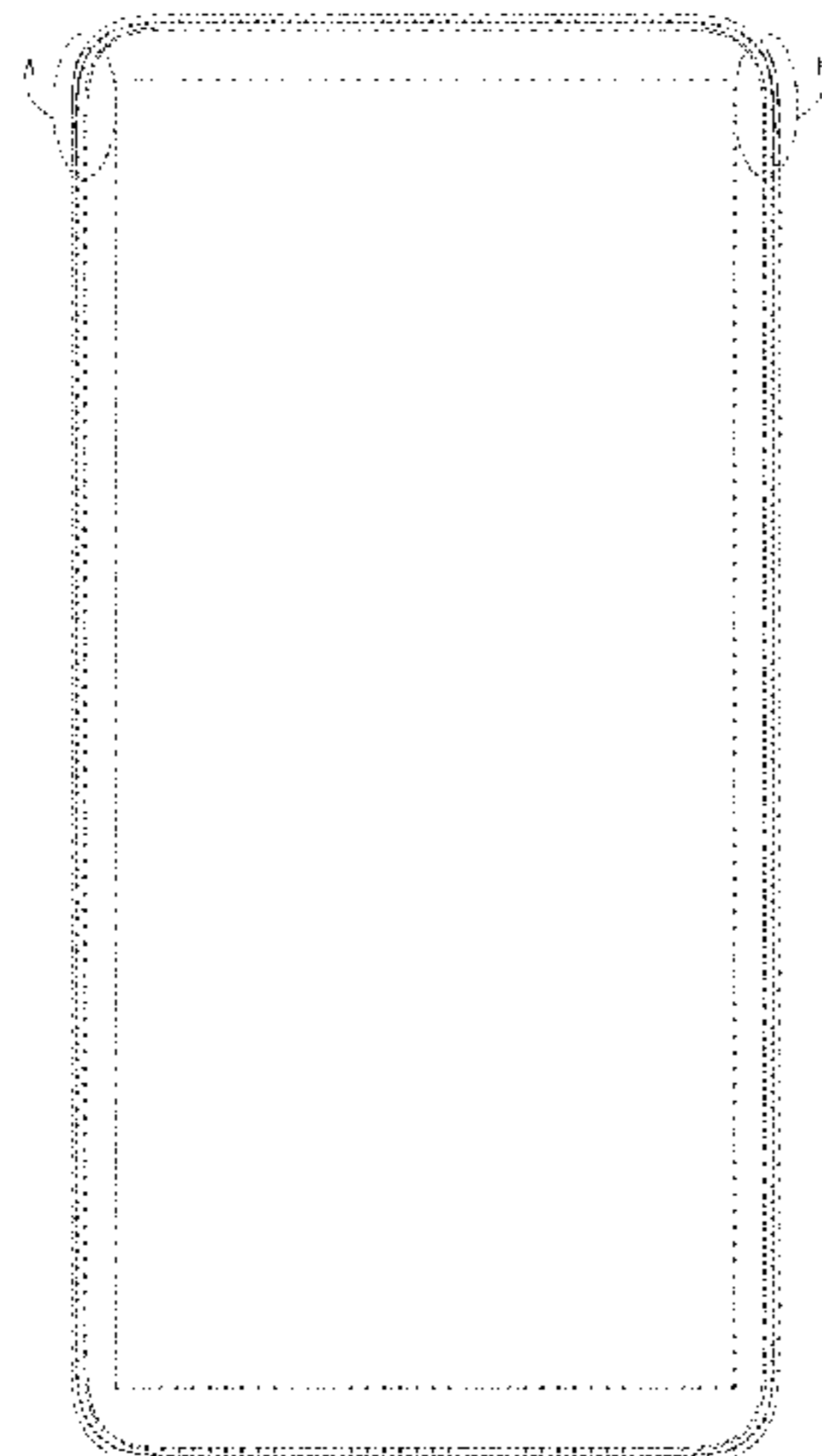


FIG. 21 is an enlarged view of the portion encircled and marked with E in FIG. 3.  
 FIG. 22 is an enlarged view of the portion encircled and marked with F in FIG. 4.  
 FIG. 23 is an enlarged view of the portion encircled and marked with G in FIG. 7.  
 FIG. 24 is an enlarged view of the portion encircled and marked with H in FIG. 8.  
 FIG. 25 is an enlarged view of the portion encircled and marked with M in FIG. 5.  
 FIG. 26 is an enlarged view of the portion encircled and marked with N in FIG. 5.  
 FIG. 27 is an enlarged view of the portion encircled and marked with O in FIG. 9.  
 FIG. 28 is an enlarged view of the portion encircled and marked with P in FIG. 9.  
 FIG. 29 is an enlarged view of the portion encircled and marked with Q in FIG. 10.  
 FIG. 30 is an enlarged view of the portion encircled and marked with R in FIG. 10.  
 FIG. 31 is an enlarged view of the portion encircled and marked with S in FIG. 11.  
 FIG. 32 is an enlarged view of the portion encircled and marked with T in FIG. 12.  
 FIG. 33 is an enlarged view of the portion encircled and marked with U in FIG. 13.  
 FIG. 34 is an enlarged view of the portion encircled and marked with V in FIG. 13.  
 FIG. 35 is an enlarged view of the portion encircled and marked with X in FIG. 15; and,  
 FIG. 36 is an enlarged view of the portion encircled and marked with Y in FIG. 16.  
 The broken lines in FIGS. 1-36 show portions of the mobile phone, and are used to encircle and mark portions of the mobile phone, and form no part of the claimed design.  
 The dash-dot lines in FIGS. 1-36 show boundaries of the claimed design and form no part of the claimed design.

**1 Claim, 30 Drawing Sheets**

(58) **Field of Classification Search**

USPC ..... D14/138 G, 341, 480.1-480.7, 138 C,  
 D14/250, 457, 458; 455/575.4;  
 D21/517; 108/83, 86, 69; 30/113;  
 D6/686; D27/195; D7/673; D3/298  
 CPC ..... H04M 1/0237; H04M 1/0245; H04M  
 1/0235; A47B 1/08; A47B 1/03; A47B  
 1/02

See application file for complete search history.

(56) **References Cited**

U.S. PATENT DOCUMENTS

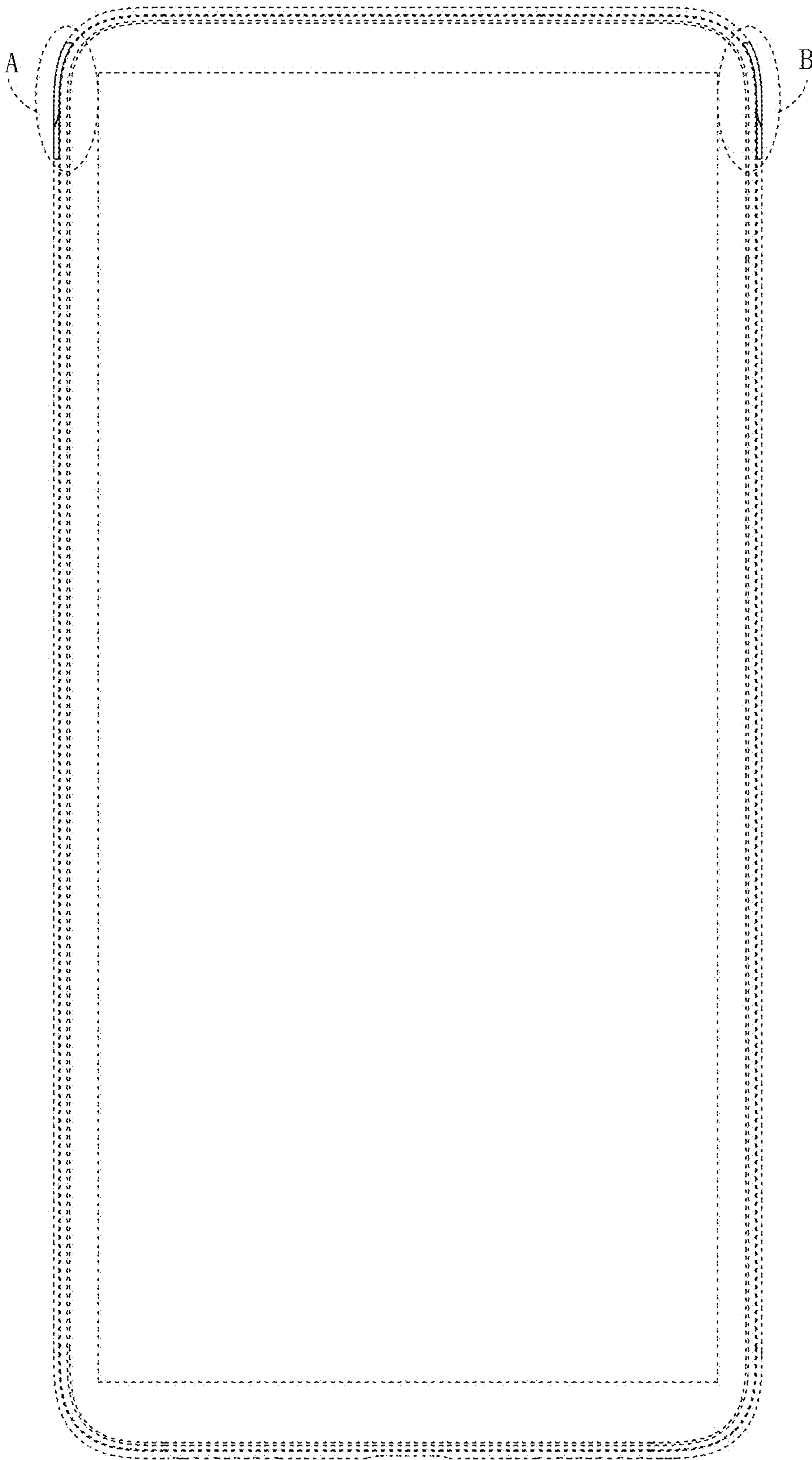
D526,636 S \* 8/2006 Kim ..... D14/138 AA  
 D536,684 S \* 2/2007 Kim ..... D14/138 AA

D554,119 S \* 10/2007 Otsuka ..... D14/480.5  
 D619,989 S \* 7/2010 Huang ..... D14/138 AD  
 D619,990 S \* 7/2010 Lai ..... D14/138 AD  
 D626,526 S \* 11/2010 Lee ..... D14/138 AD  
 D633,464 S \* 3/2011 Park ..... D14/138 AD  
 D654,082 S \* 2/2012 Lo ..... D14/480.5  
 D658,165 S \* 4/2012 Freeman ..... D14/250  
 D669,902 S \* 10/2012 Schlosstein ..... D14/480.3  
 D673,576 S \* 1/2013 Lin ..... D14/480.7  
 D719,124 S \* 12/2014 Kim ..... D14/138 AD  
 D733,693 S \* 7/2015 Wang et al.  
 D740,776 S \* 10/2015 Kim ..... D14/138 AD  
 D757,734 S \* 5/2016 Emami ..... D14/480.7  
 D798,854 S \* 10/2017 Babichenko  
 D825,516 S \* 8/2018 Li ..... D14/138 G  
 D856,955 S \* 8/2019 Seo ..... D14/138 G  
 10,404,841 B1 \* 9/2019 Fan ..... G06F 1/1686  
 10,419,589 B2 \* 9/2019 Fan ..... H04M 1/0264  
 10,425,515 B2 \* 9/2019 Fan ..... H04M 1/0264  
 D863,246 S \* 10/2019 Fan ..... D14/138 AD  
 D879,733 S \* 3/2020 Fan ..... D14/138 AD  
 D879,734 S \* 3/2020 Fan ..... D14/138 AD  
 D879,735 S \* 3/2020 Fan ..... D14/138 AD  
 D881,830 S \* 4/2020 Fan ..... D14/138 AD  
 2003/0099090 A1 \* 5/2003 Su ..... H05K 5/0278  
 361/679.33  
 2005/0054397 A1 \* 3/2005 Kim ..... G03B 11/043  
 455/575.4  
 2005/0277451 A1 \* 12/2005 Ku ..... H04M 1/0237  
 455/575.4  
 2006/0202895 A1 \* 9/2006 Nam ..... H01Q 1/243  
 343/702  
 2006/0205447 A1 \* 9/2006 Park ..... H04M 1/0254  
 455/575.1  
 2008/0125171 A1 \* 5/2008 Shin ..... H04M 1/03  
 455/556.1  
 2009/0203398 A1 \* 8/2009 Griffin ..... H04M 1/0241  
 455/556.1  
 2010/0281441 A1 \* 11/2010 Eldon ..... H04M 1/0237  
 715/864  
 2011/0195759 A1 \* 8/2011 Griffin ..... H04M 1/026  
 455/575.1  
 2011/0294555 A1 \* 12/2011 Happonen ..... H04M 1/0235  
 455/575.4  
 2019/0182371 A1 \* 6/2019 Ashall ..... H04M 1/72583  
 2019/0250667 A1 \* 8/2019 Fan ..... H04M 1/0264  
 2019/0253533 A1 \* 8/2019 Fan ..... H04M 1/0264  
 2019/0253534 A1 \* 8/2019 Fan ..... G06F 1/1686  
 2019/0253536 A1 \* 8/2019 Fan ..... H04M 1/0264  
 2019/0253537 A1 \* 8/2019 Fan ..... H04M 1/0264  
 2019/0253540 A1 \* 8/2019 Fan ..... H04M 1/0237  
 2019/0253541 A1 \* 8/2019 Fan ..... H04N 1/00307  
 2019/0253542 A1 \* 8/2019 Fan ..... H04M 1/0237  
 2019/0253543 A1 \* 8/2019 Fan ..... G06F 1/1686  
 2019/0302841 A1 \* 10/2019 Sun ..... G06F 1/1626  
 2019/0373153 A1 \* 12/2019 Zeng ..... H04N 5/2254  
 2019/0386696 A1 \* 12/2019 Luo ..... A45C 11/00  
 2020/0125707 A1 \* 4/2020 Lin ..... G06F 1/1624  
 2020/0154005 A1 \* 5/2020 Han ..... H04N 5/2253

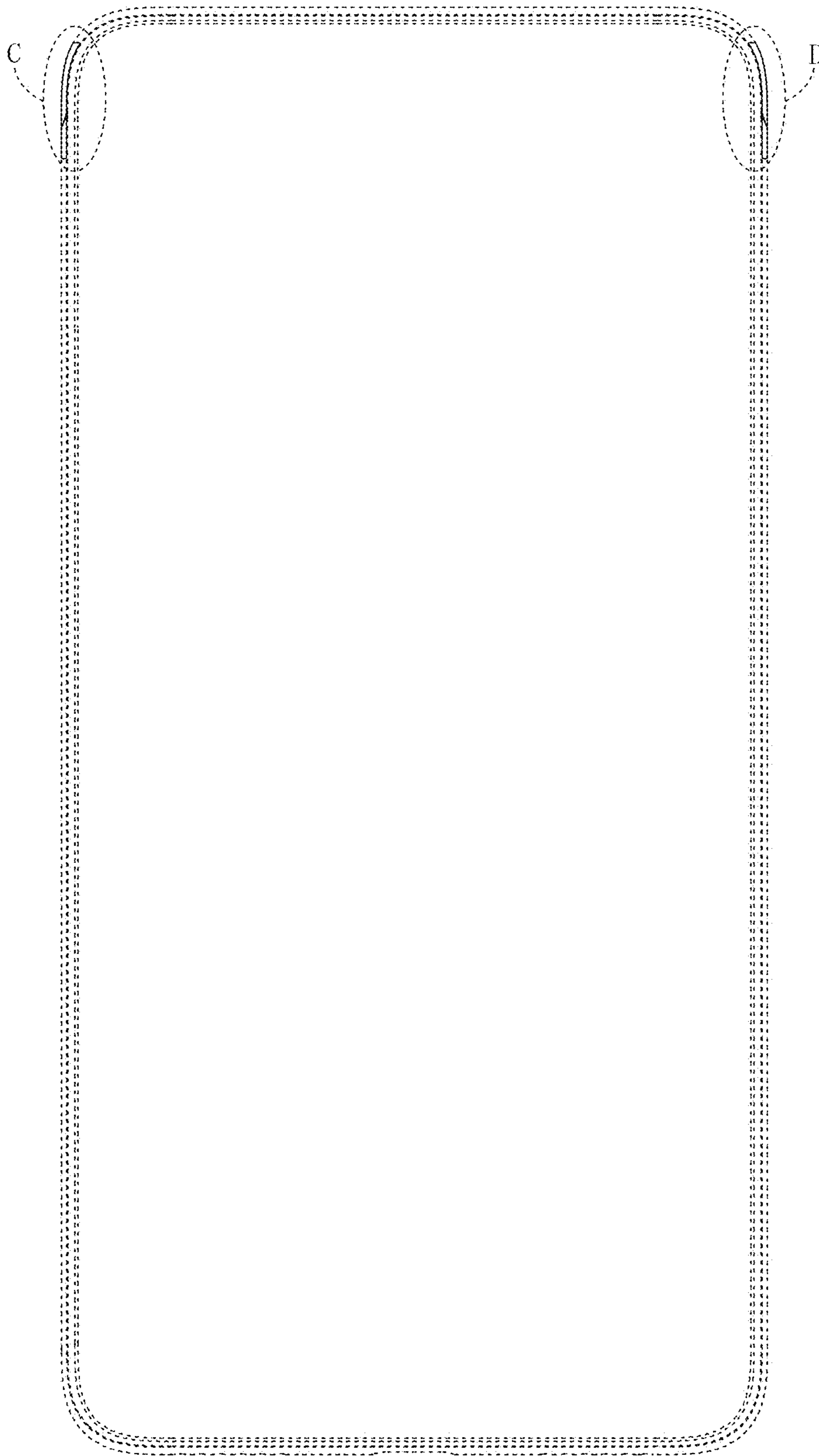
FOREIGN PATENT DOCUMENTS

JP D1572861 S 3/2017  
 JP D1581222 S 7/2017  
 TW D184877 S 8/2017

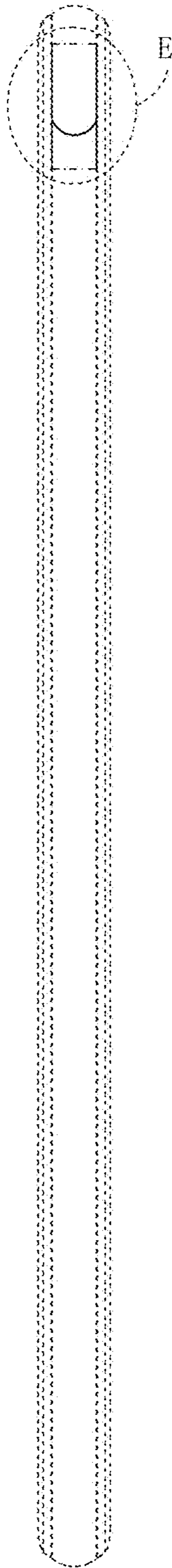
\* cited by examiner



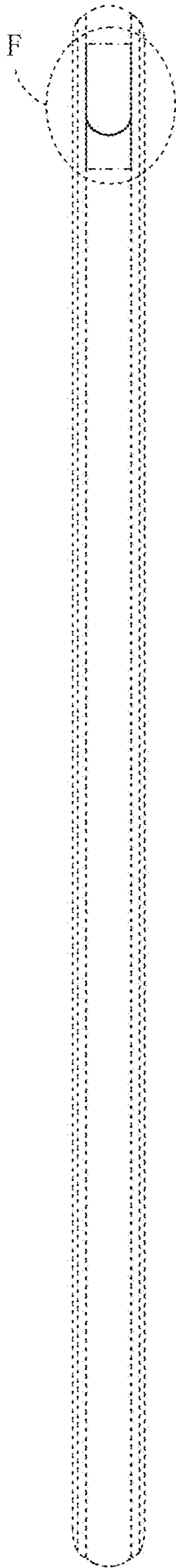
**FIG. 1**



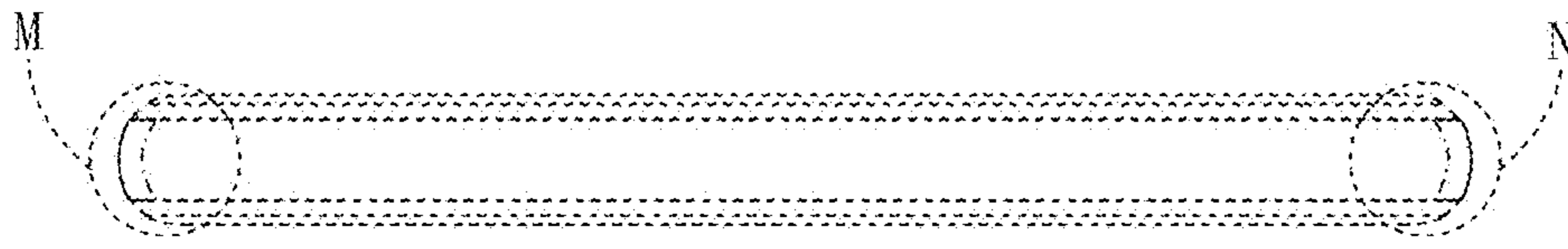
**FIG. 2**



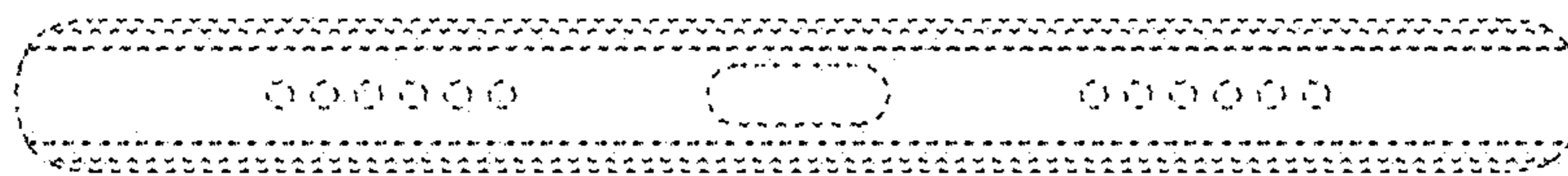
**FIG. 3**



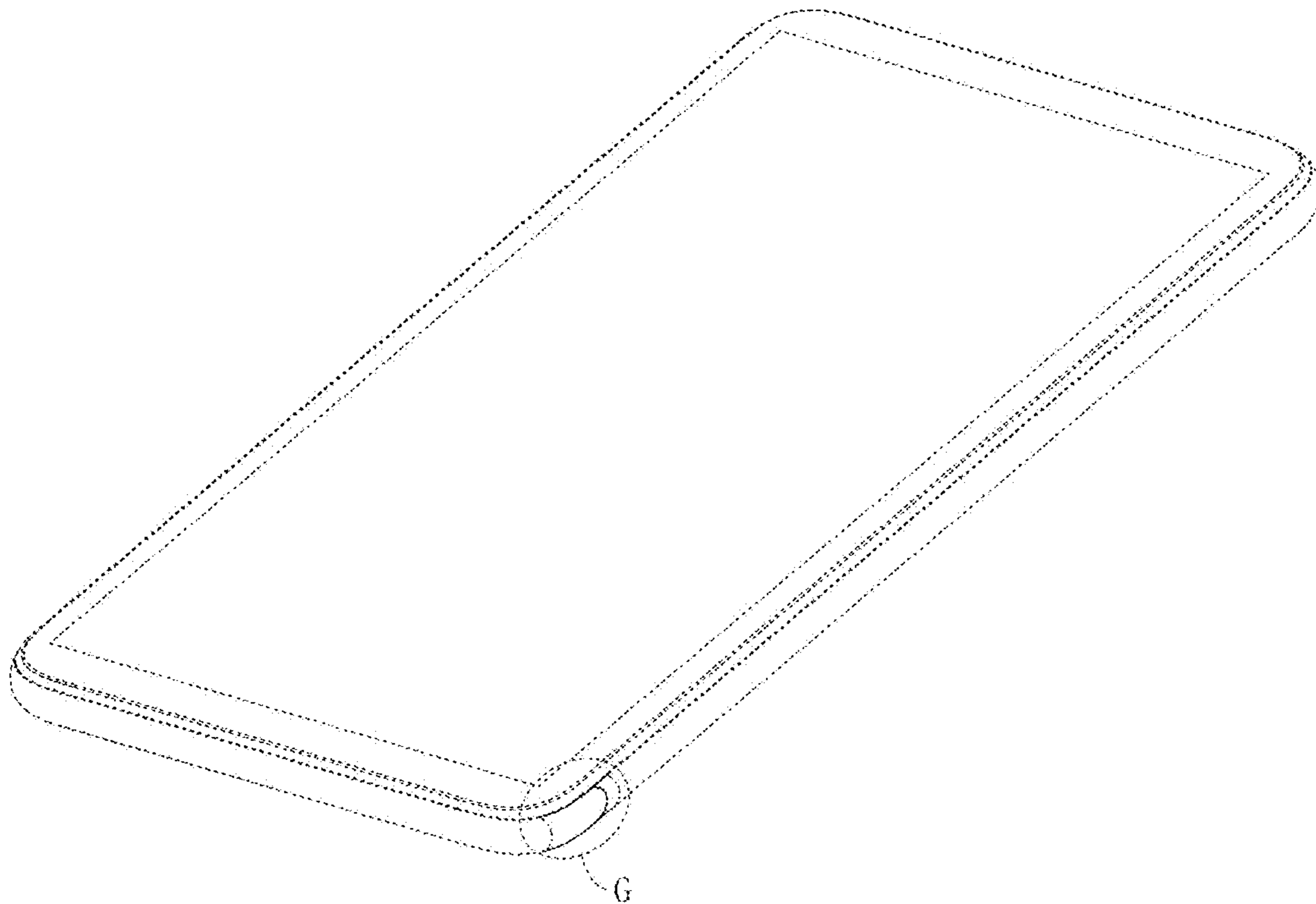
**FIG. 4**



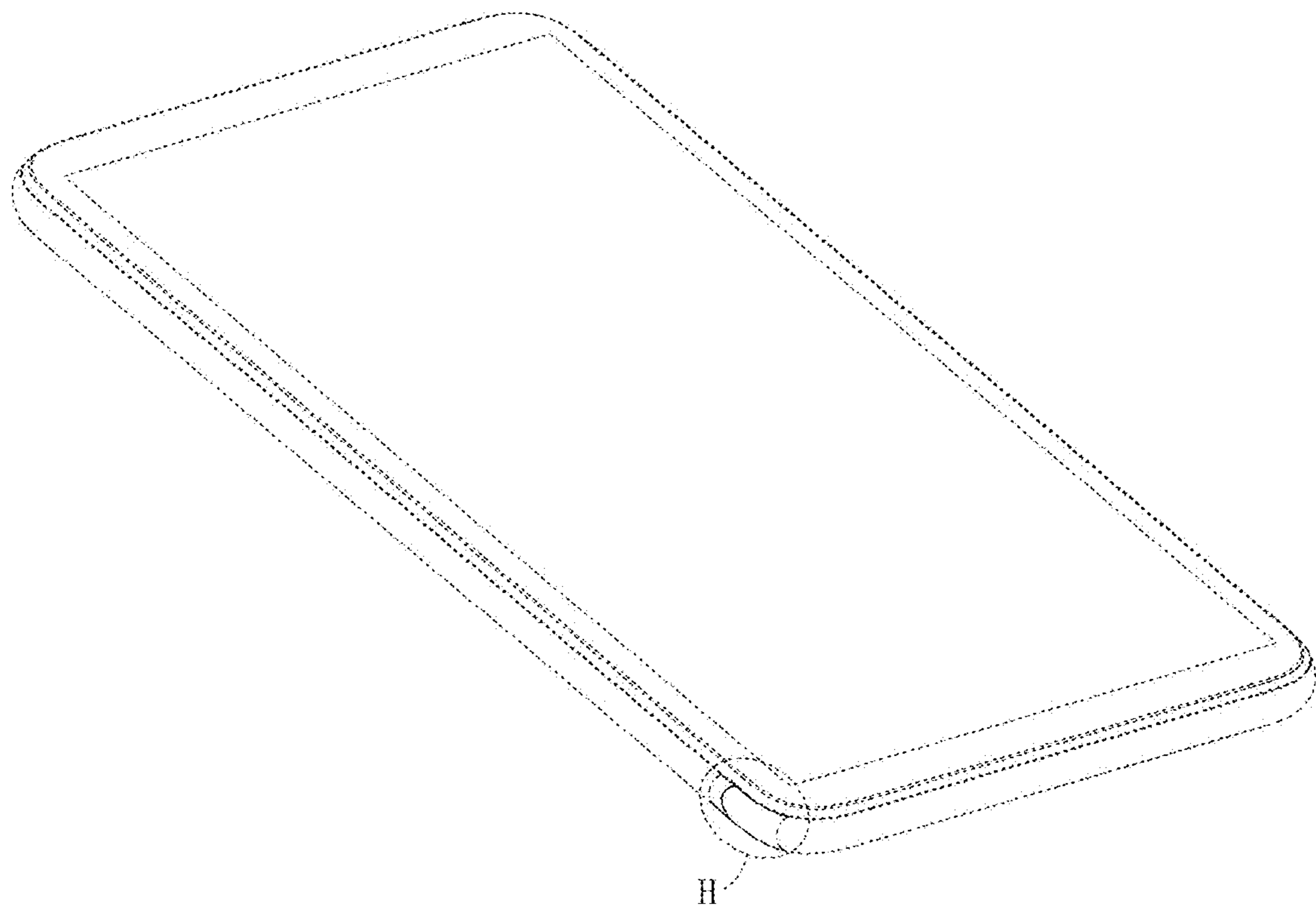
**FIG. 5**



**FIG. 6**



**FIG. 7**



**FIG. 8**



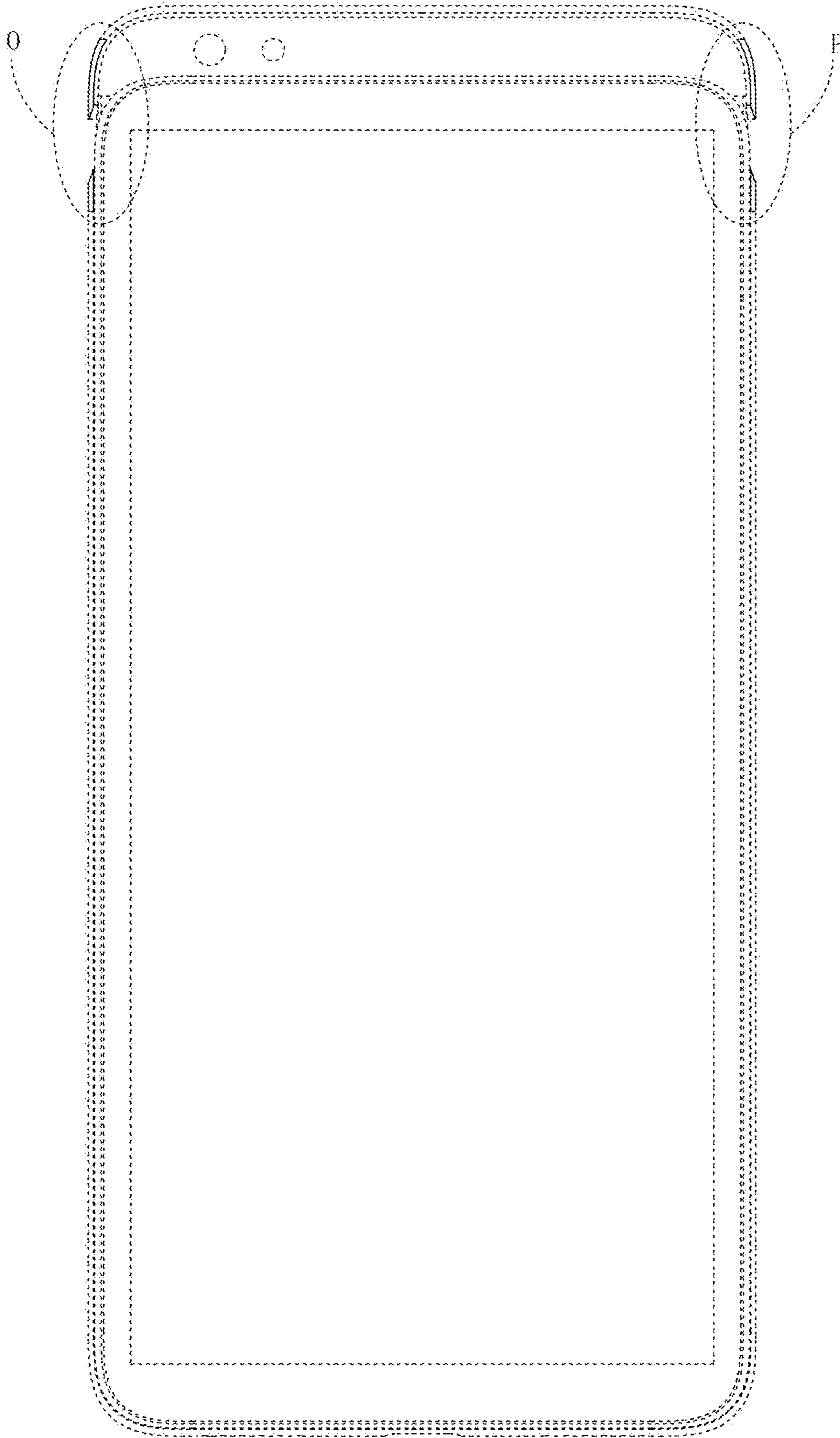
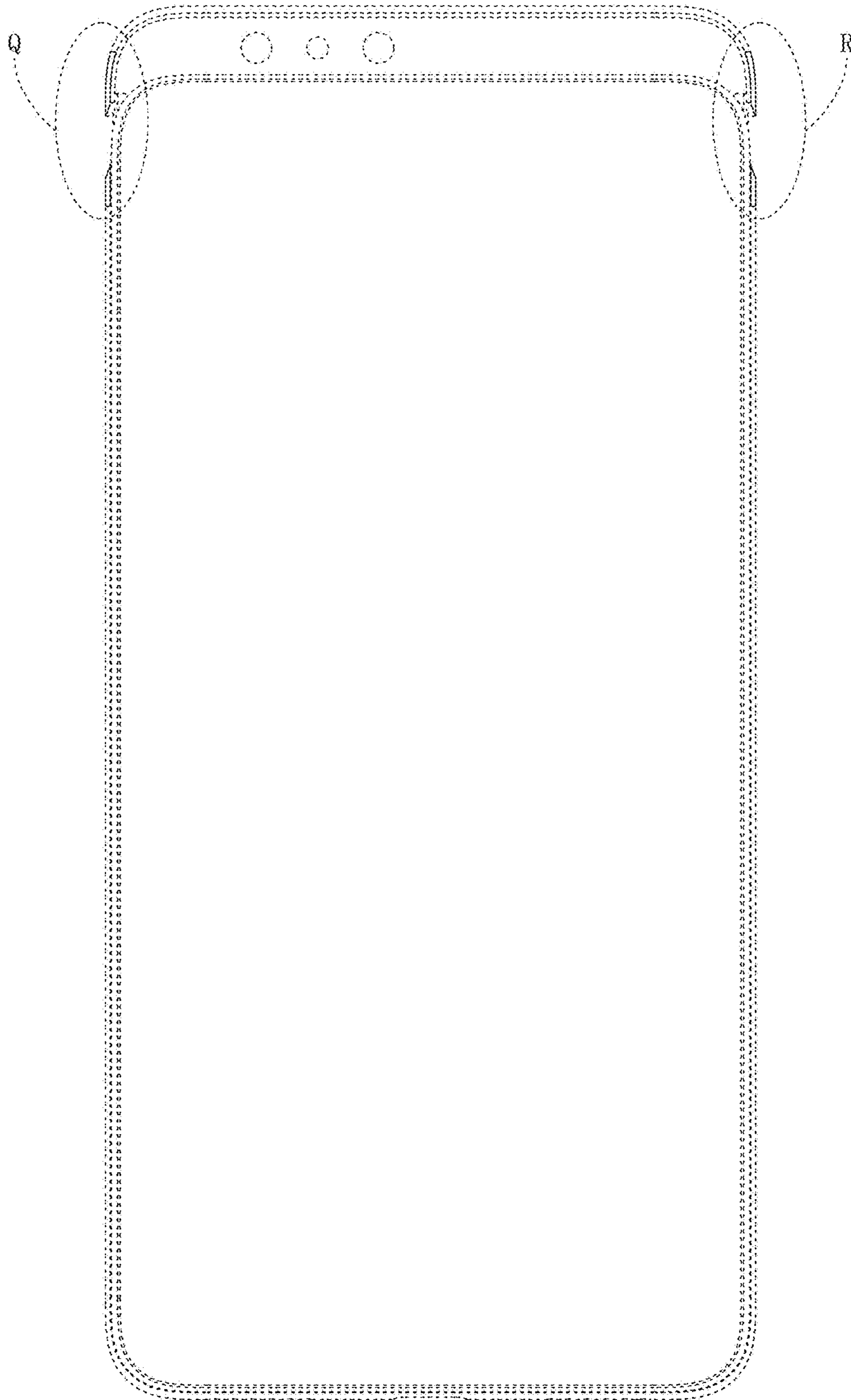
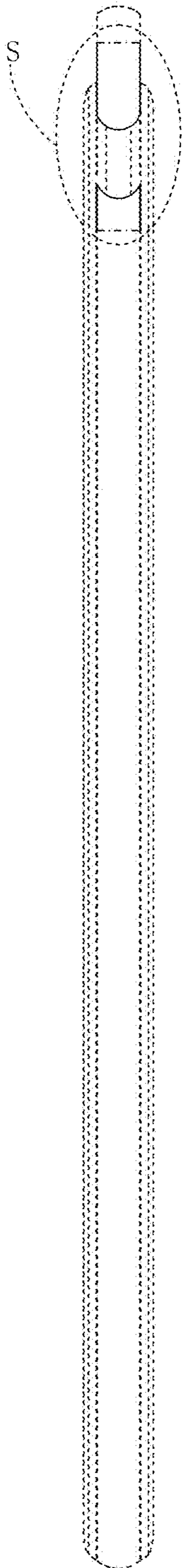


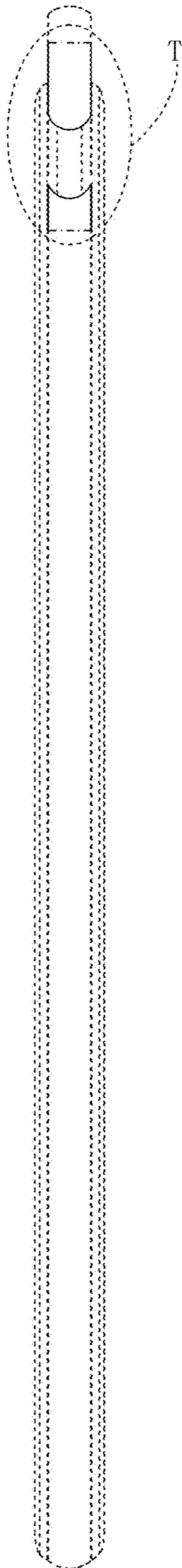
FIG. 9



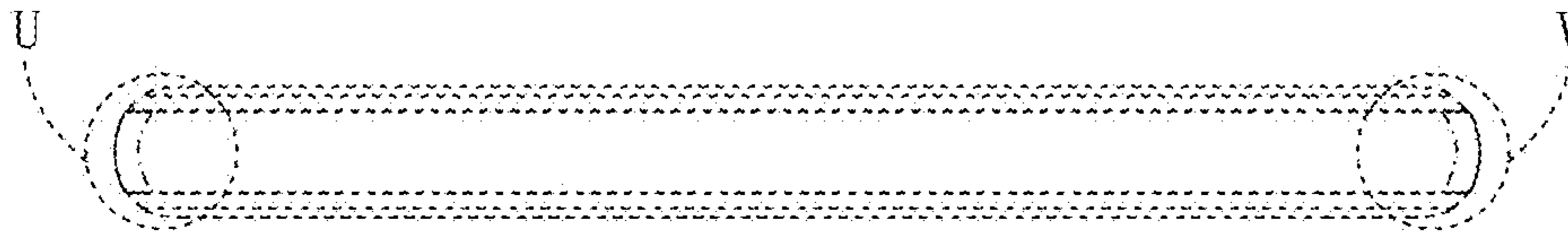
**FIG. 10**



**FIG. 11**



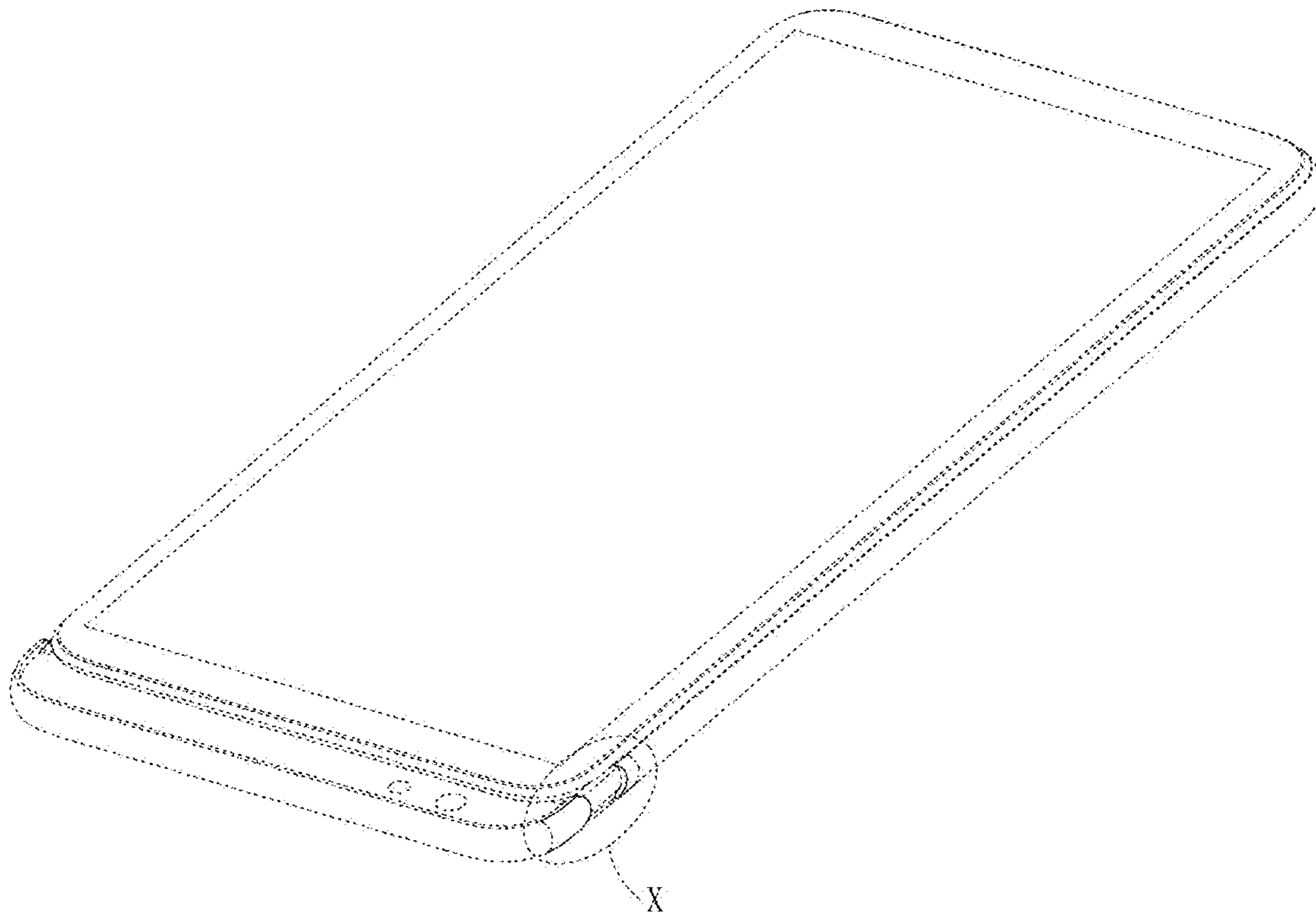
**FIG. 12**



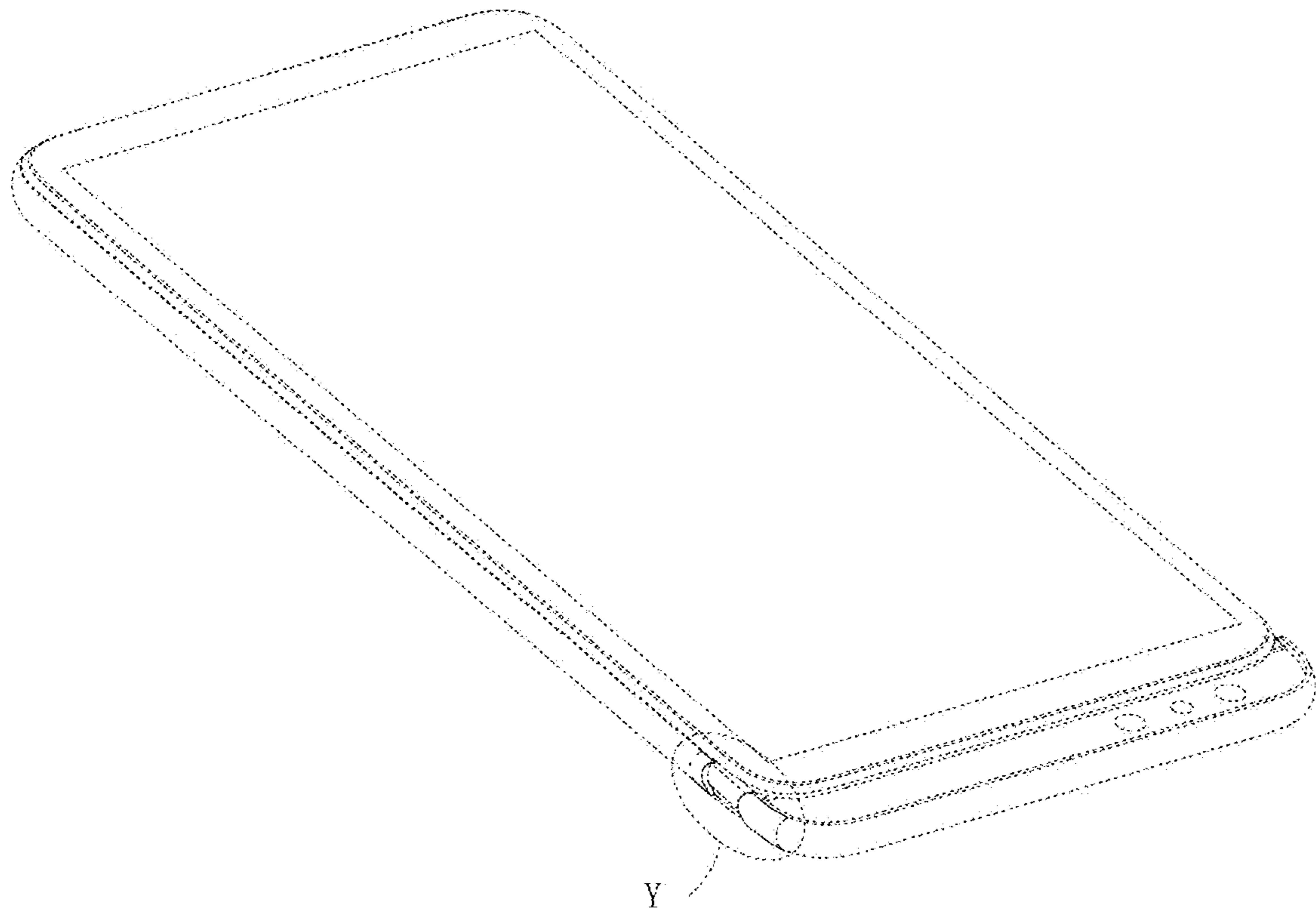
**FIG. 13**



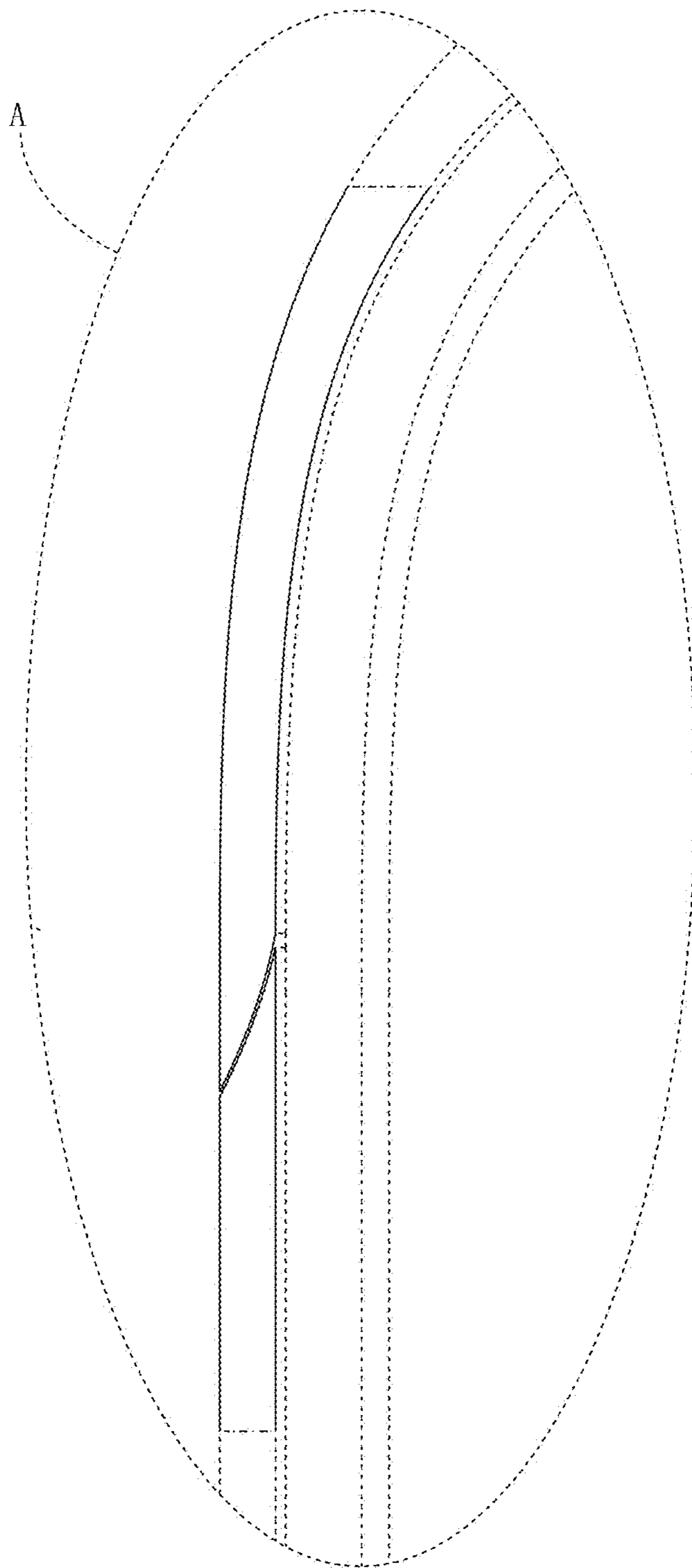
**FIG. 14**



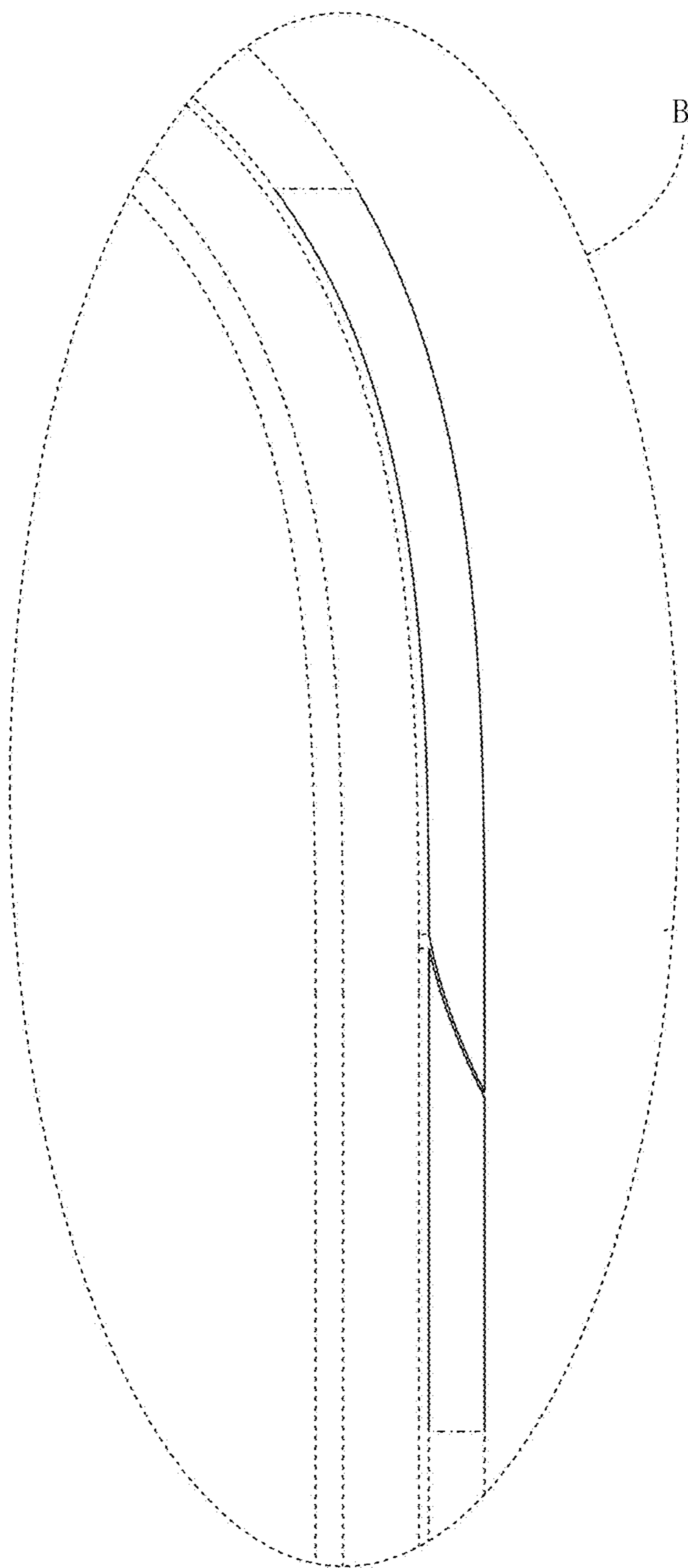
**FIG. 15**



**FIG. 16**

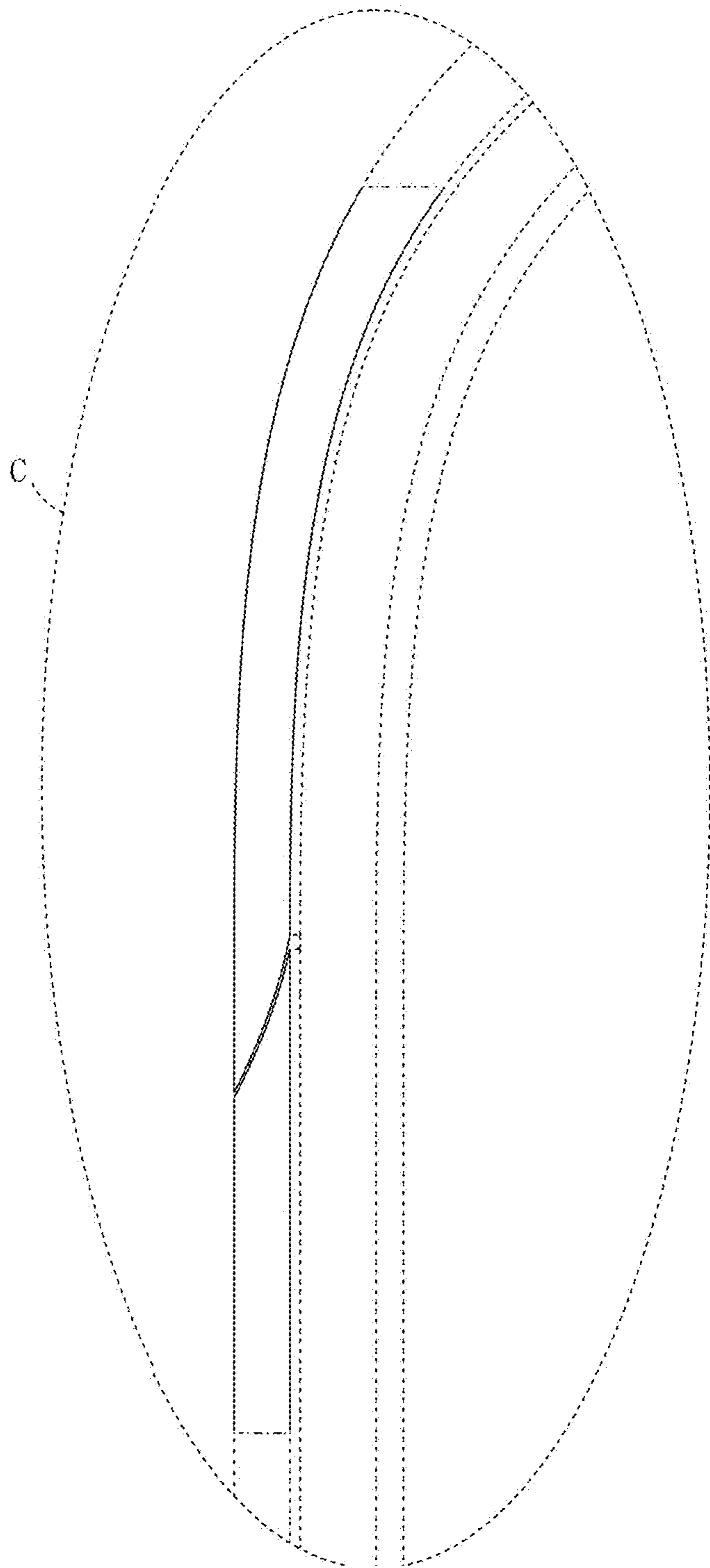


**FIG.17**

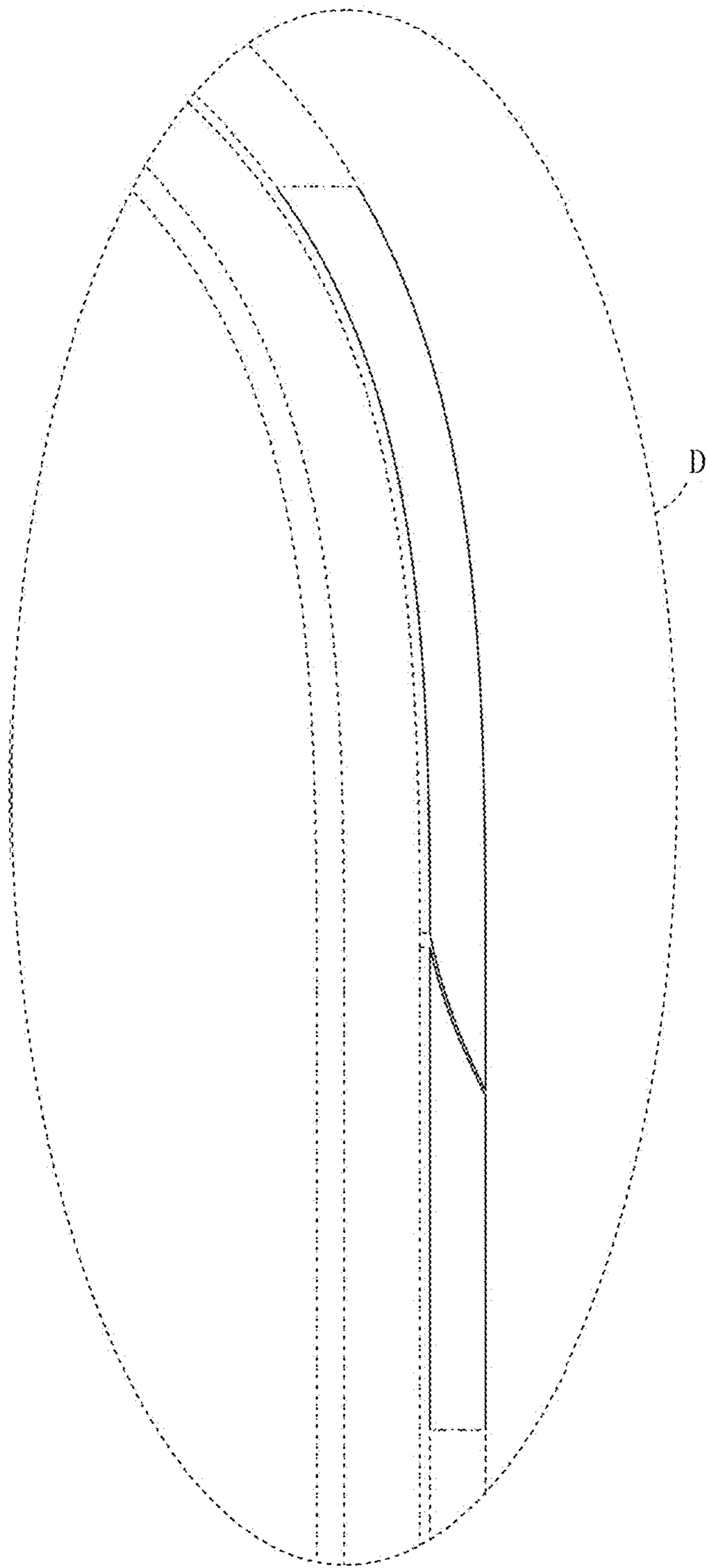


**FIG.18**

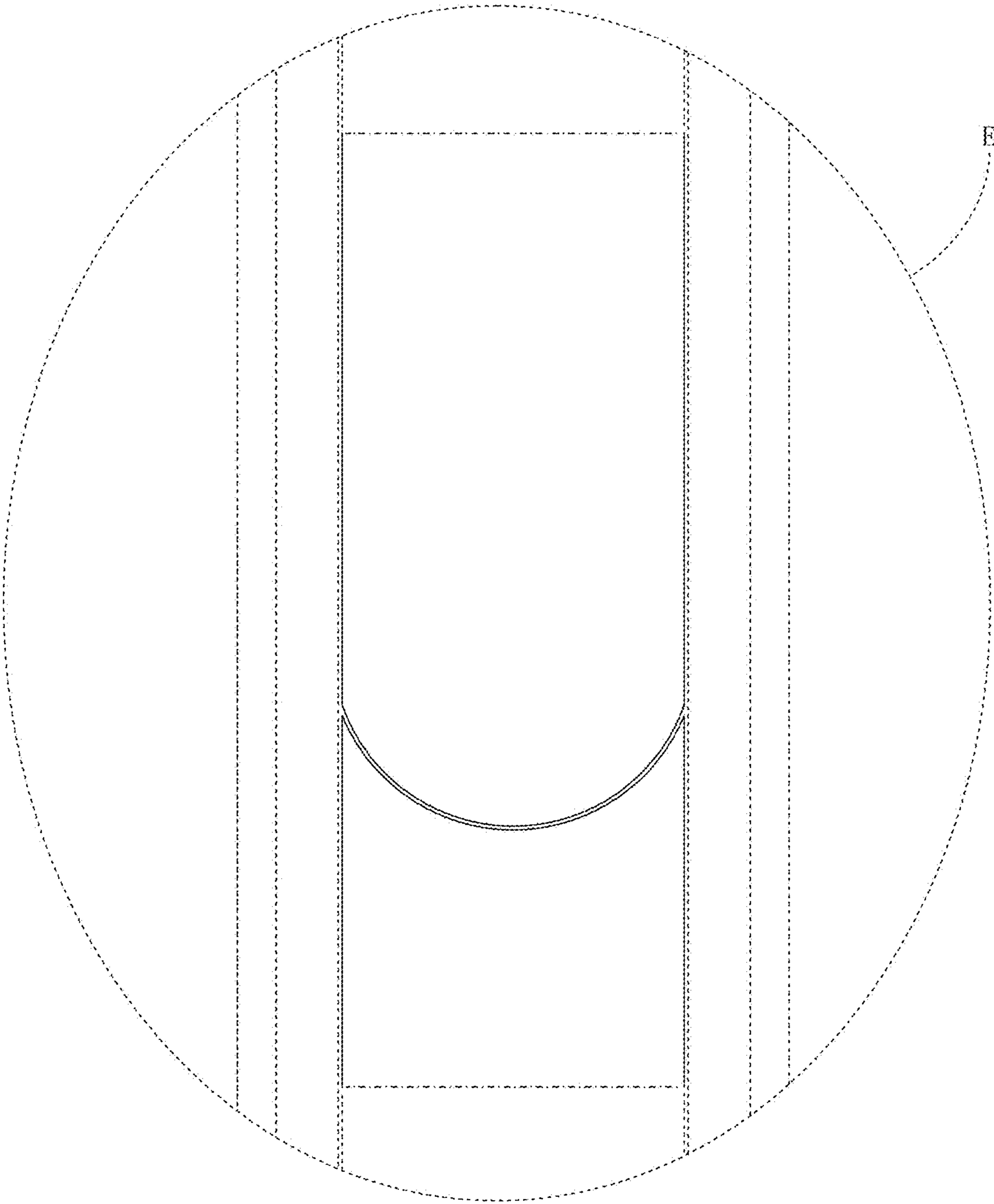




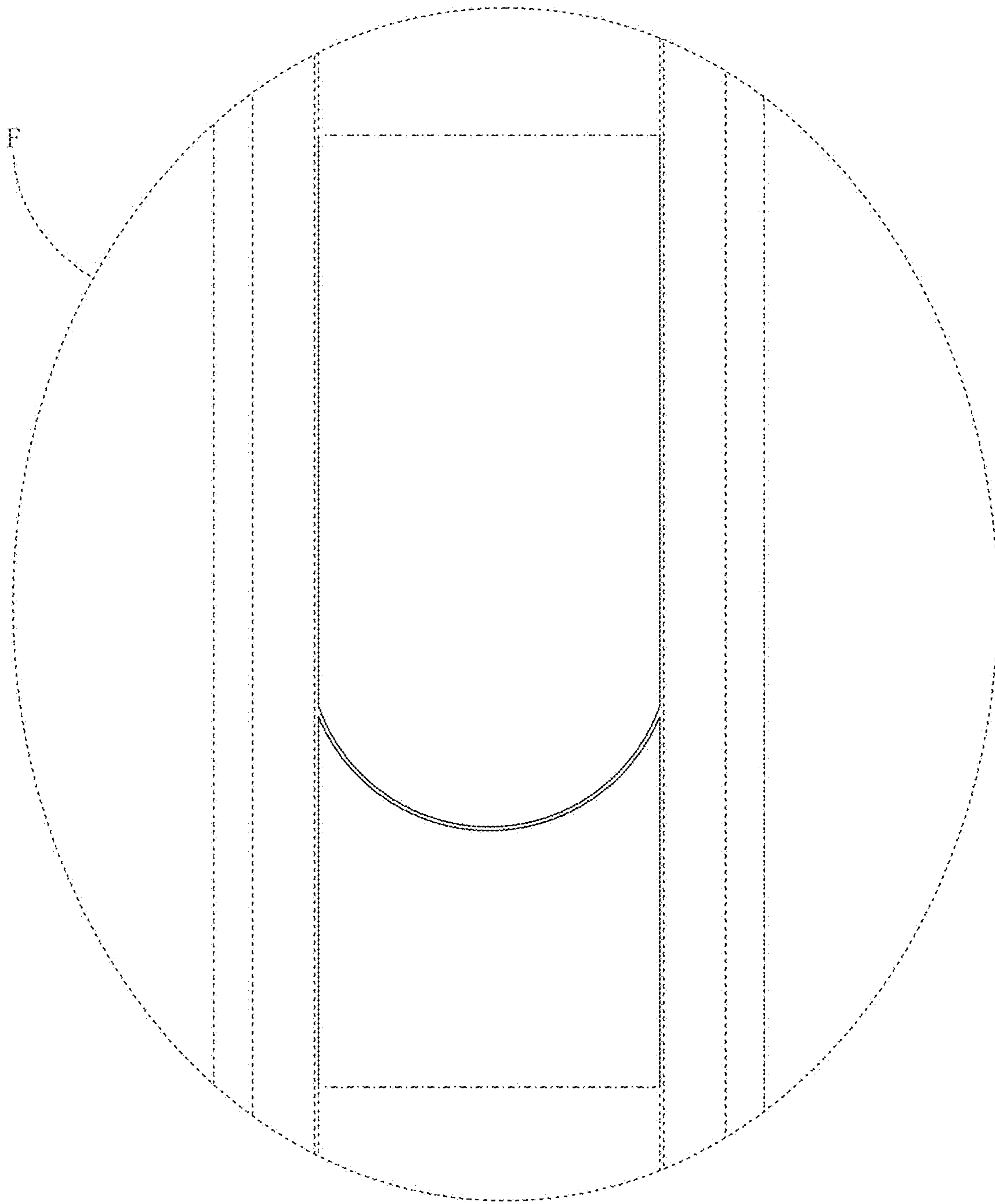
**FIG. 19**



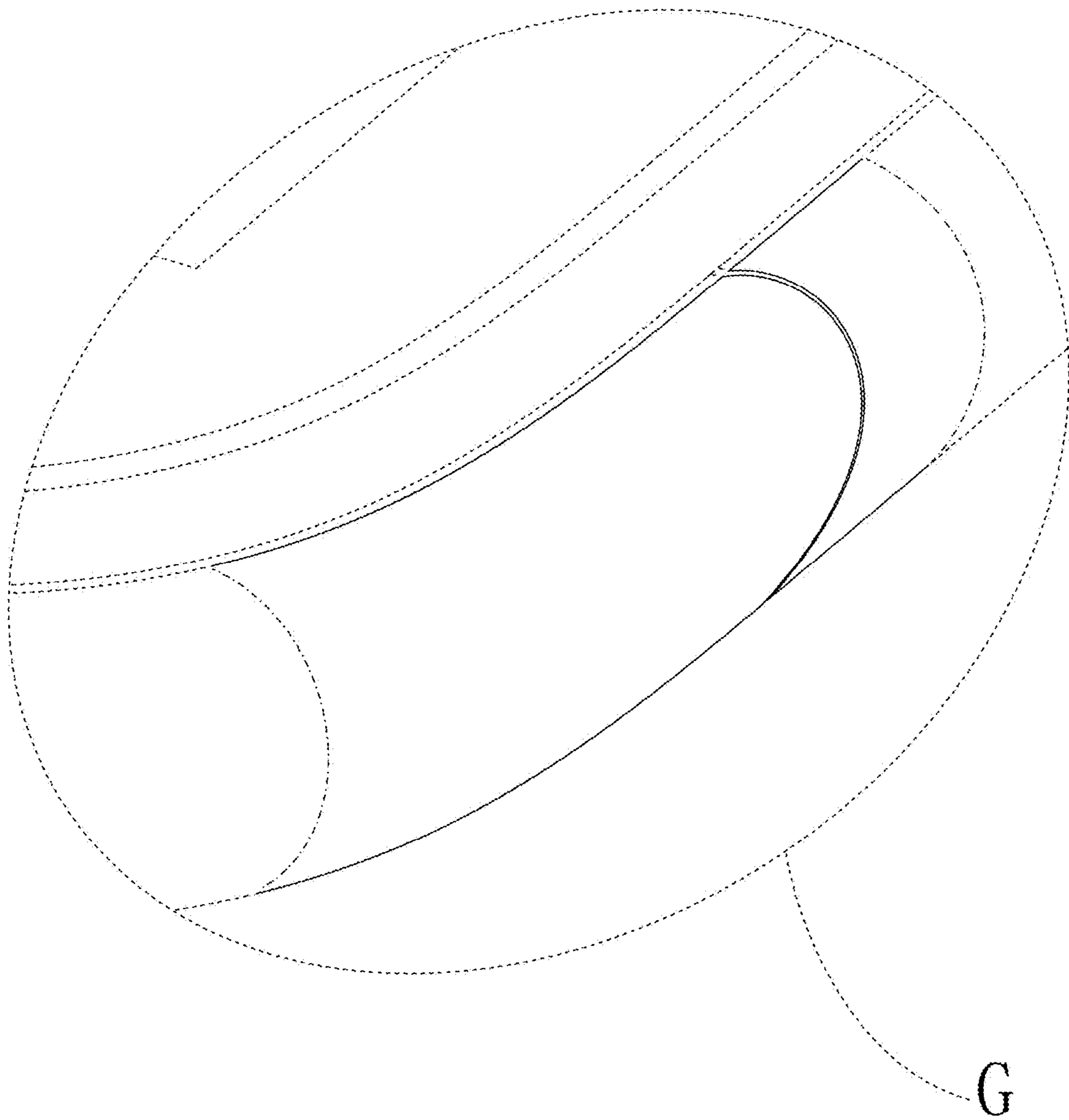
**FIG. 20**



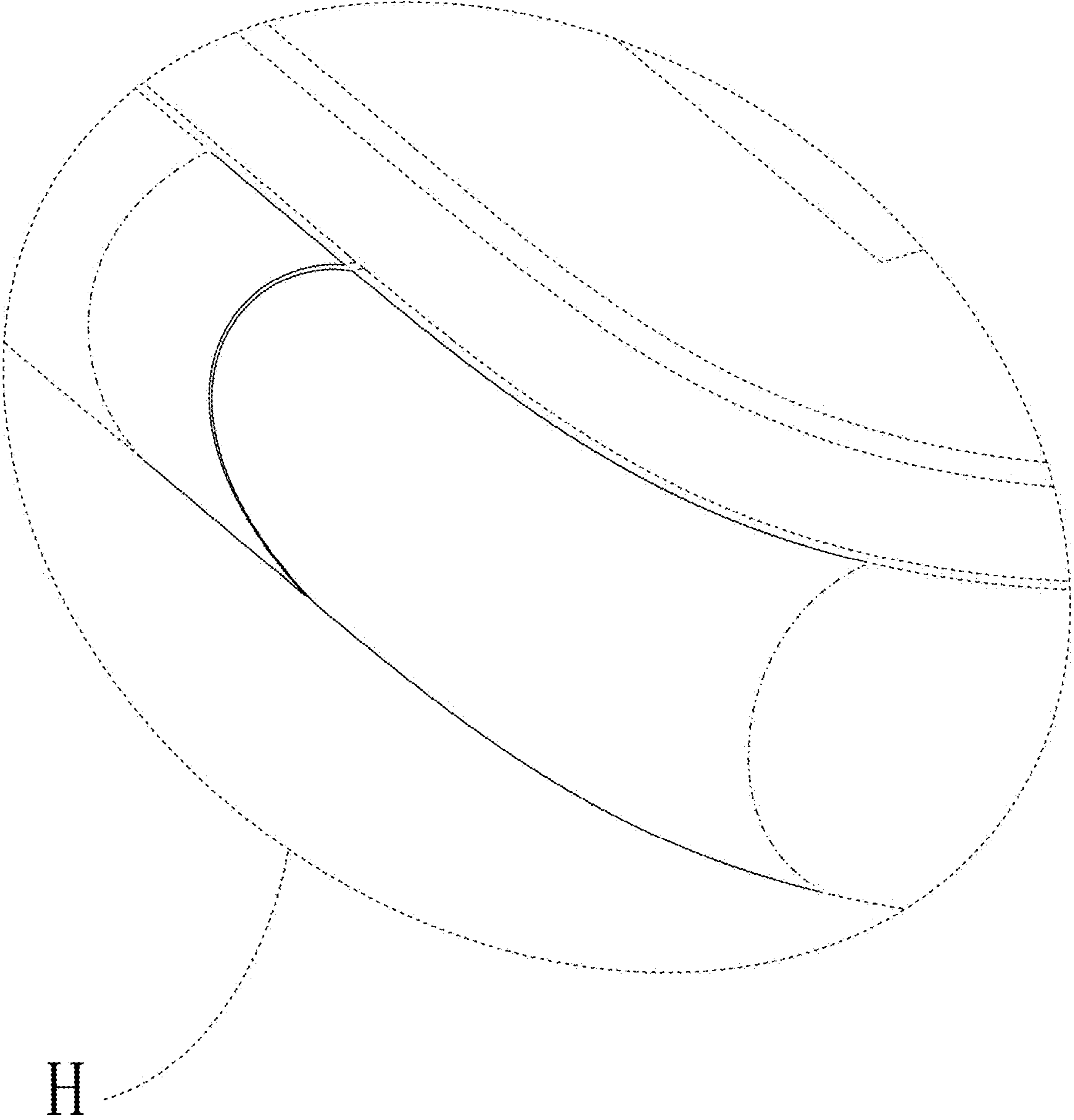
**FIG. 21**



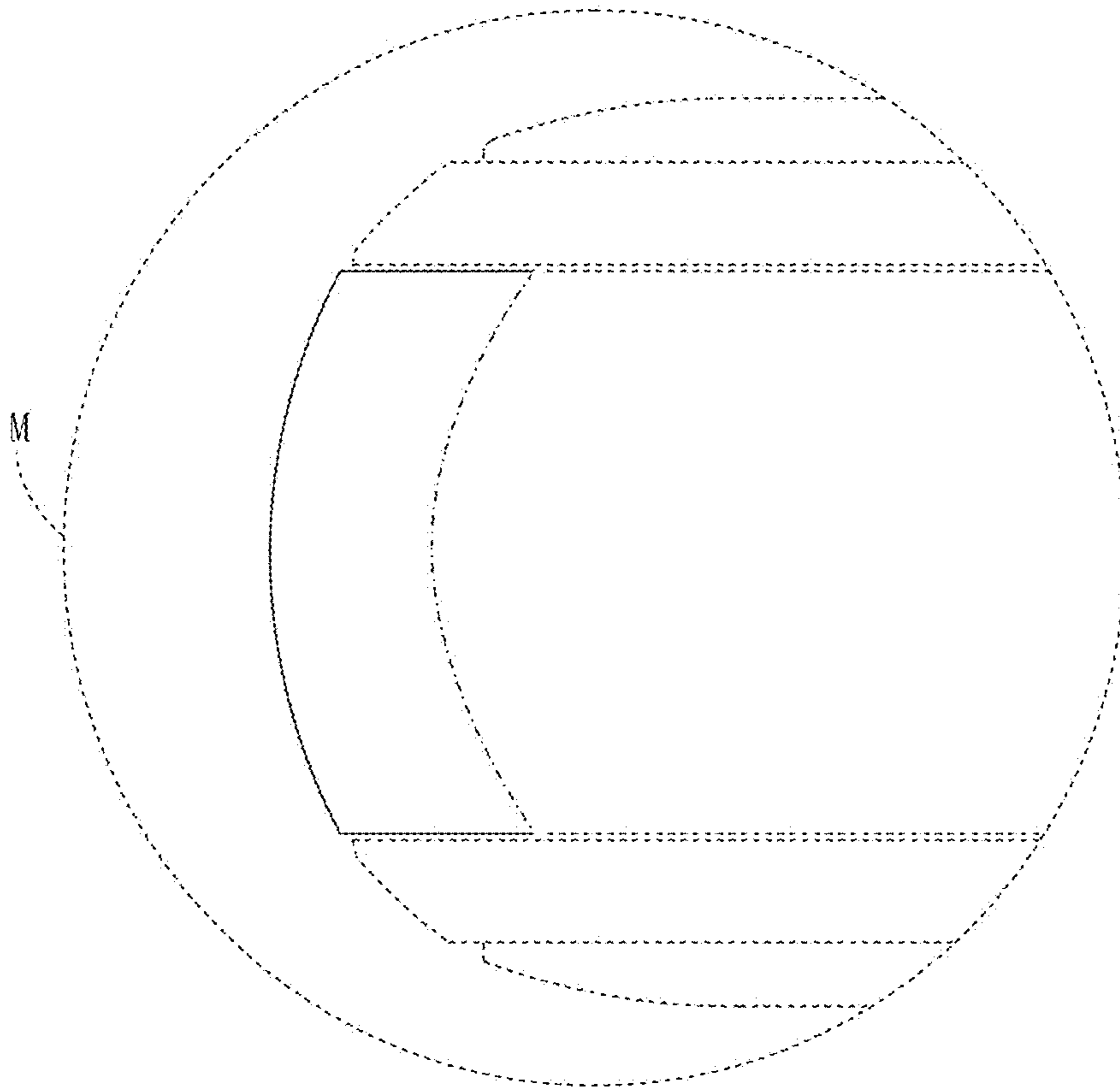
**FIG. 22**



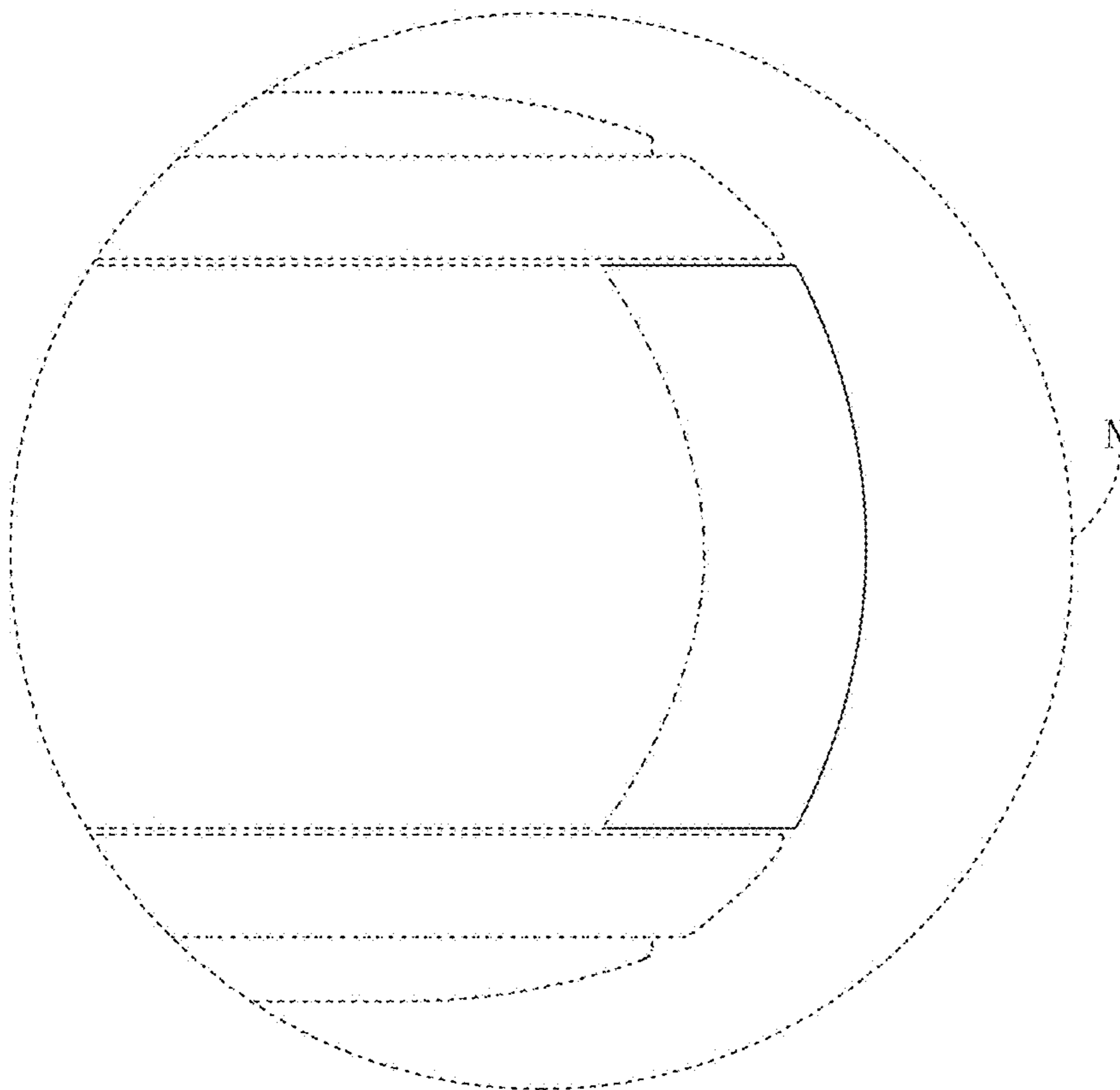
**FIG. 23**



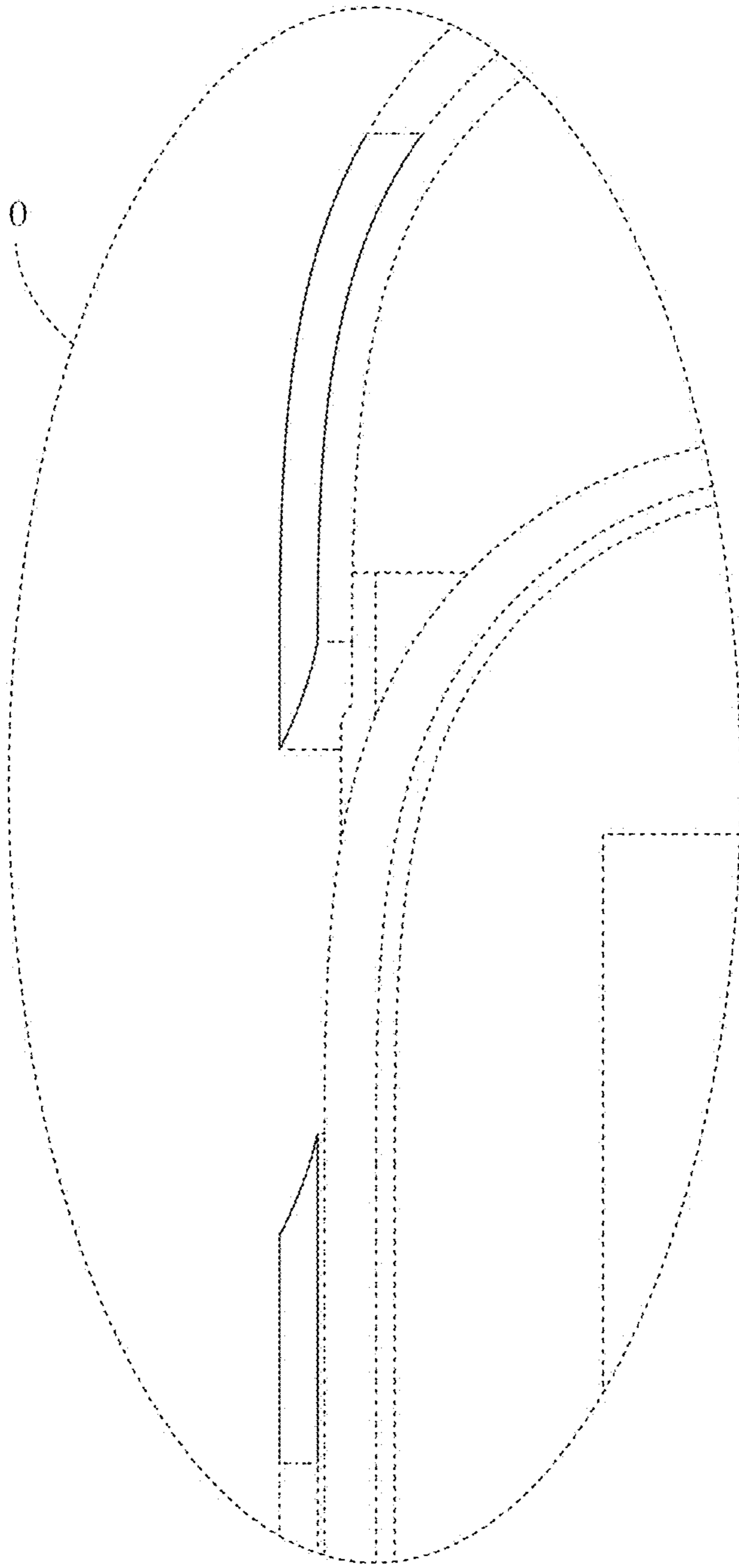
**FIG. 24**



**FIG. 25**

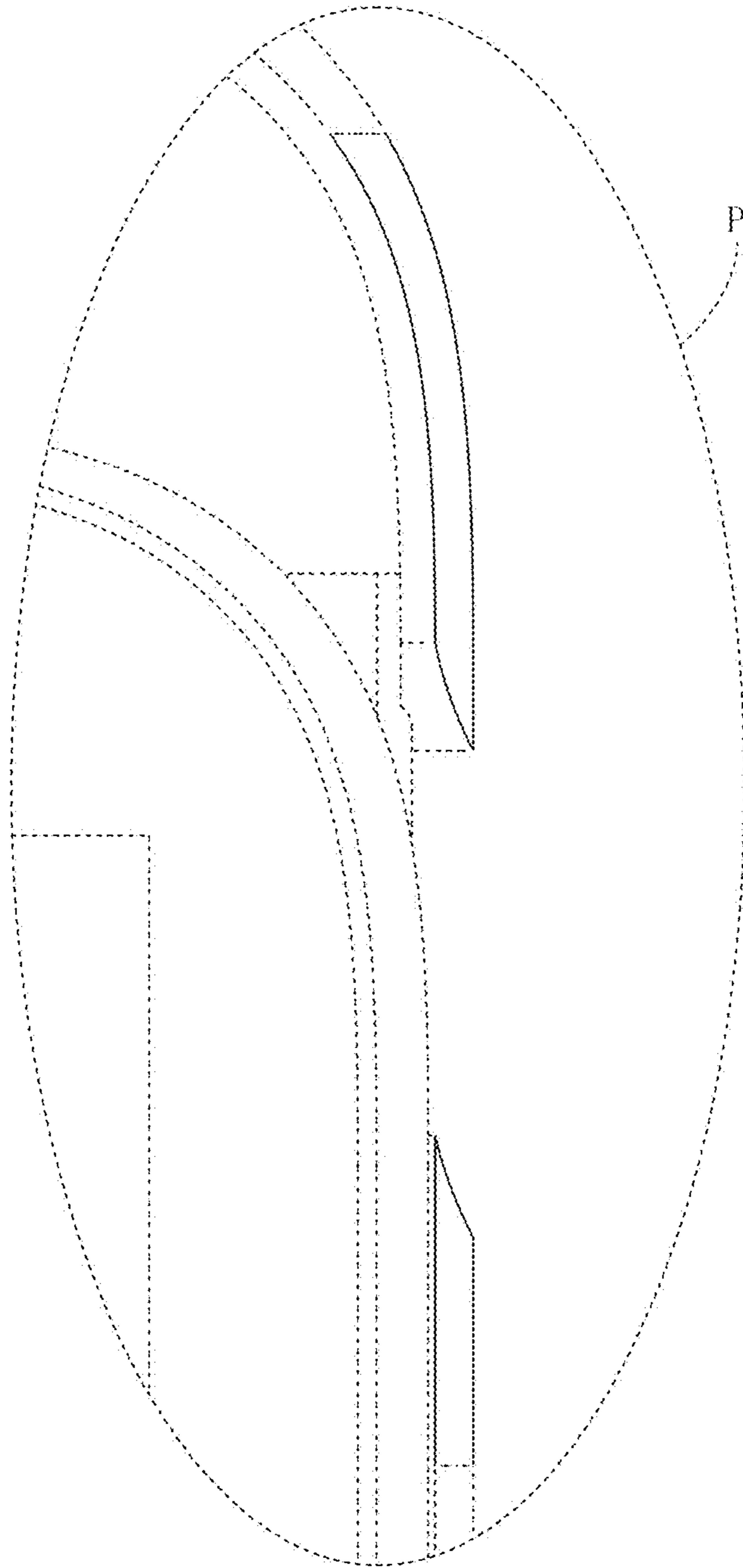


**FIG. 26**

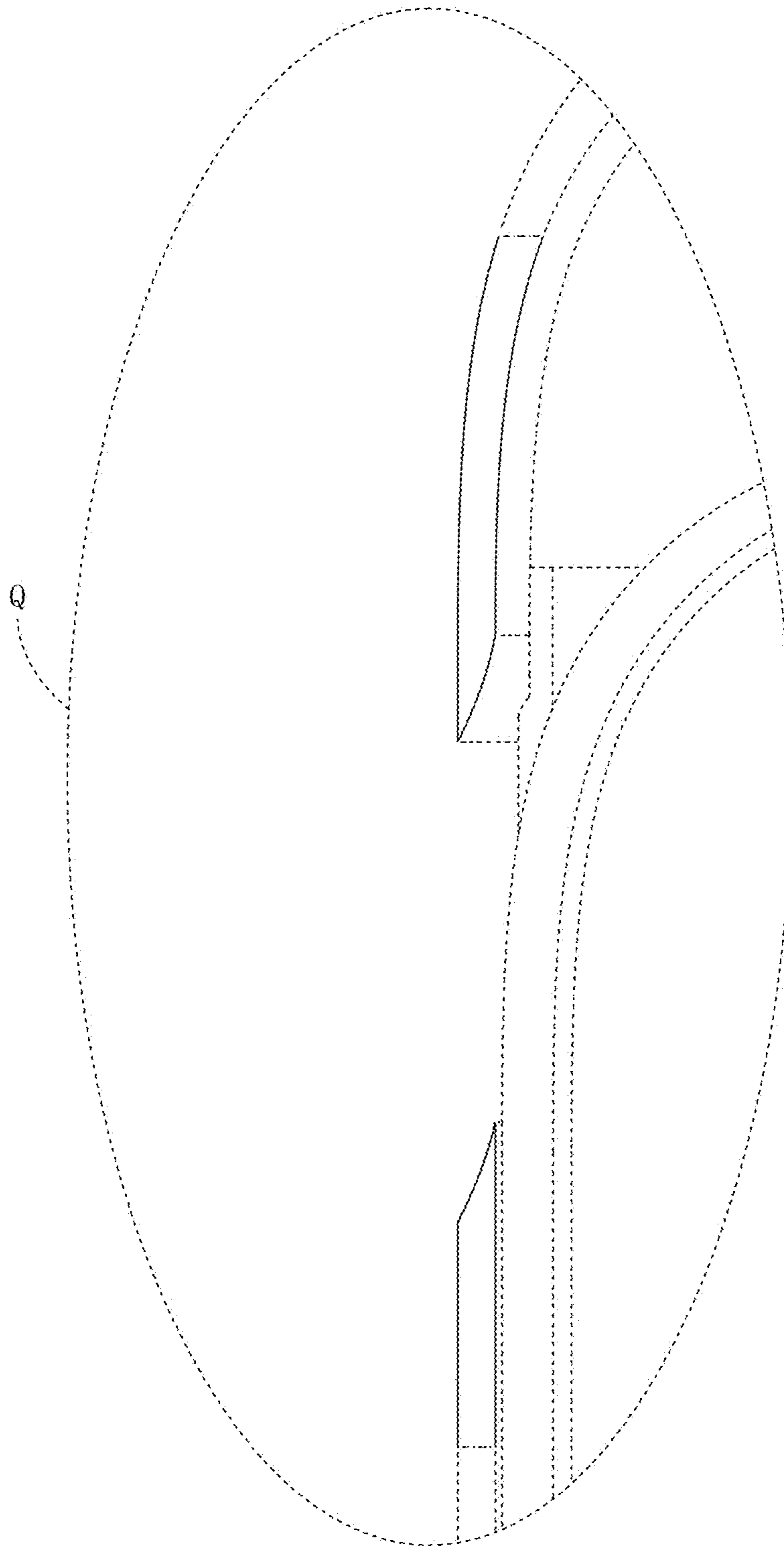


**FIG. 27**

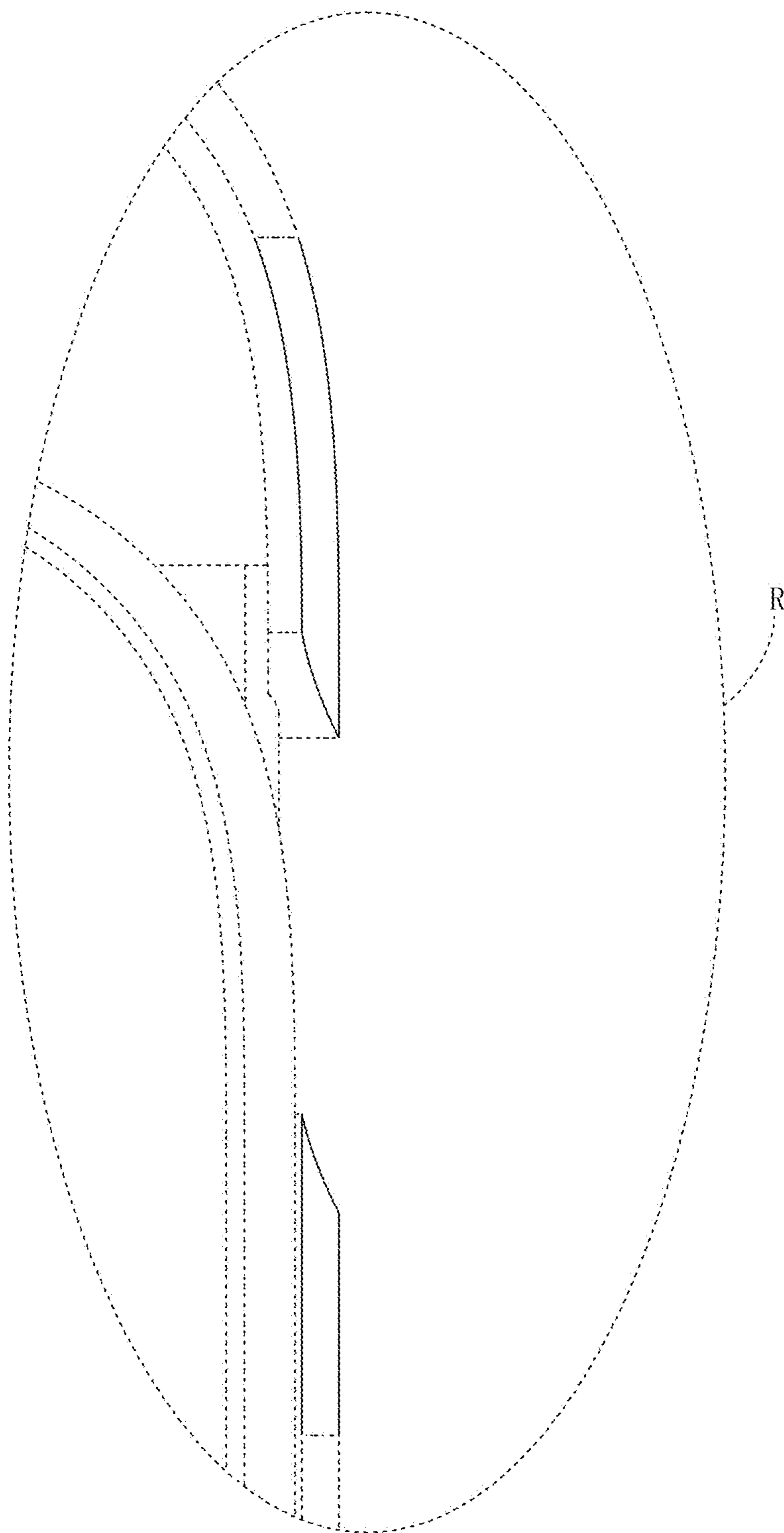




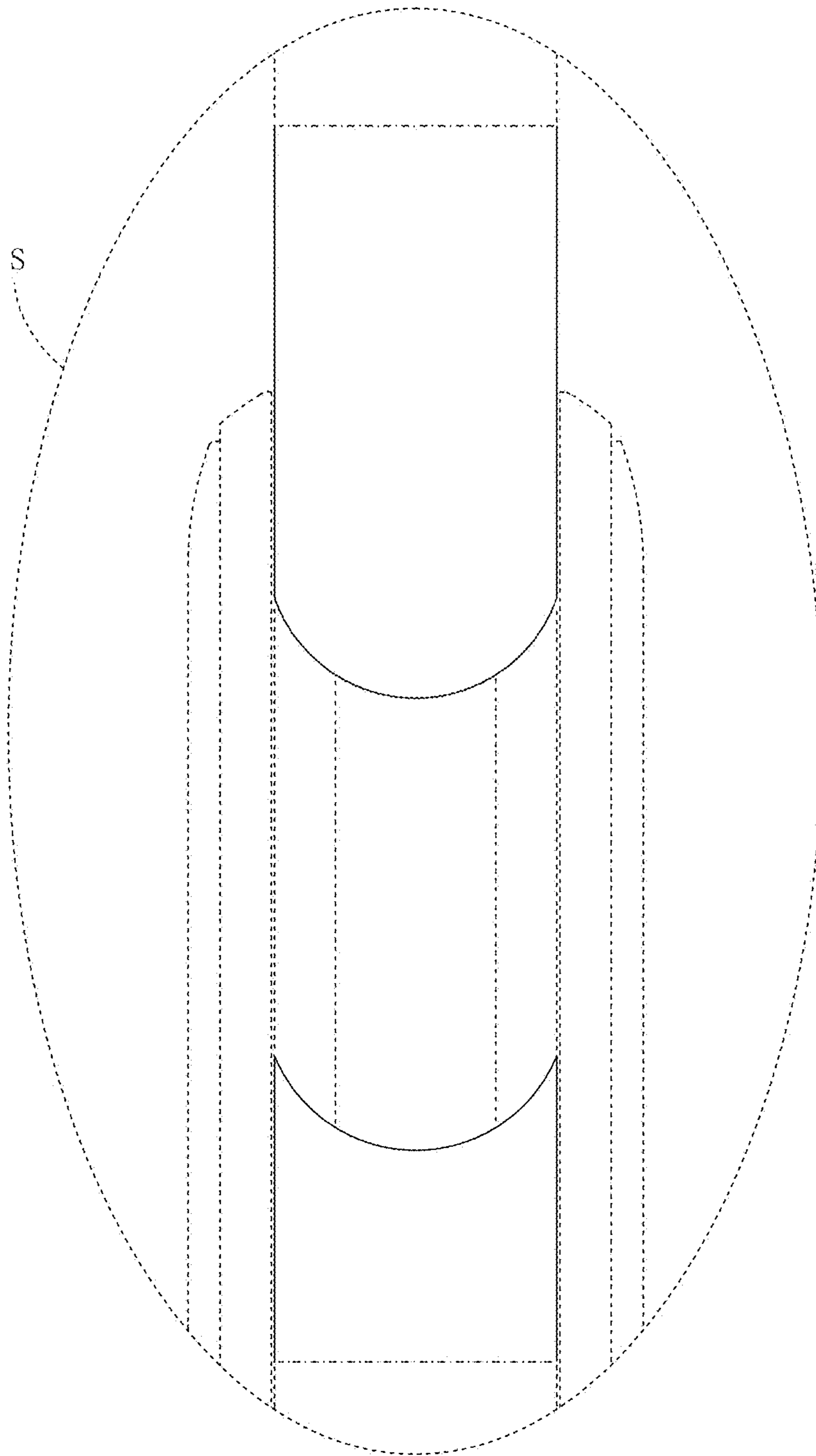
**FIG. 28**



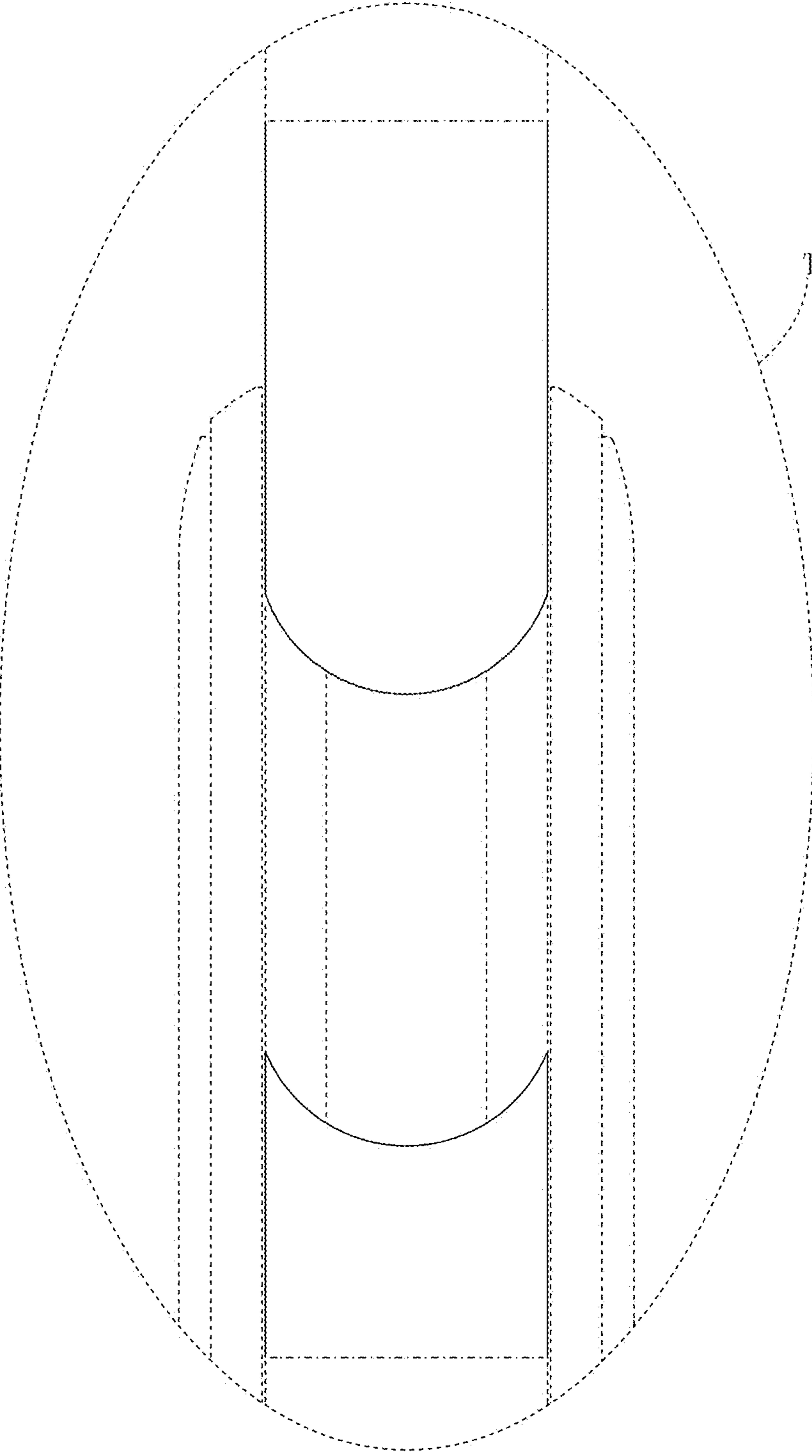
**FIG. 29**



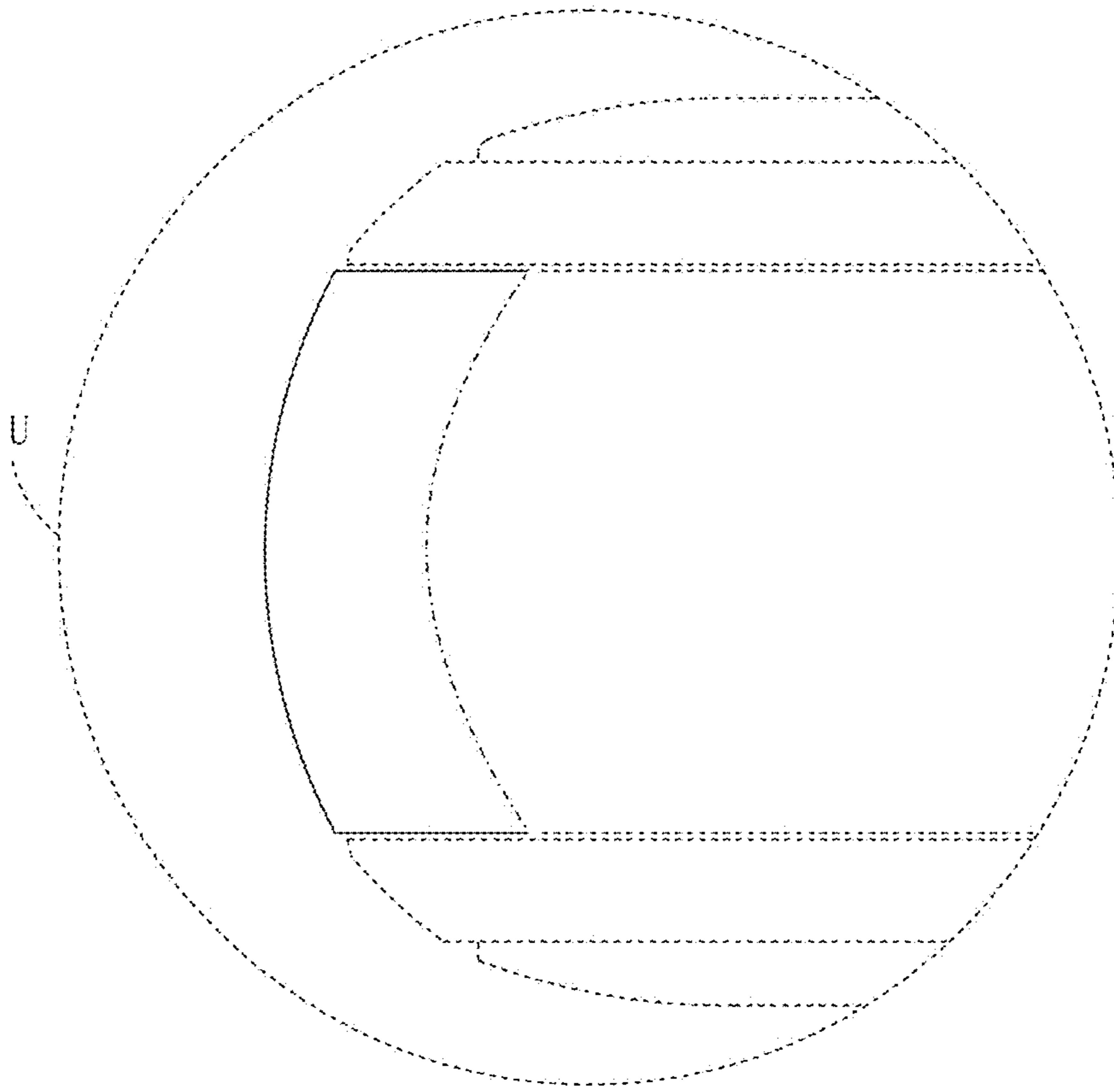
**FIG. 30**



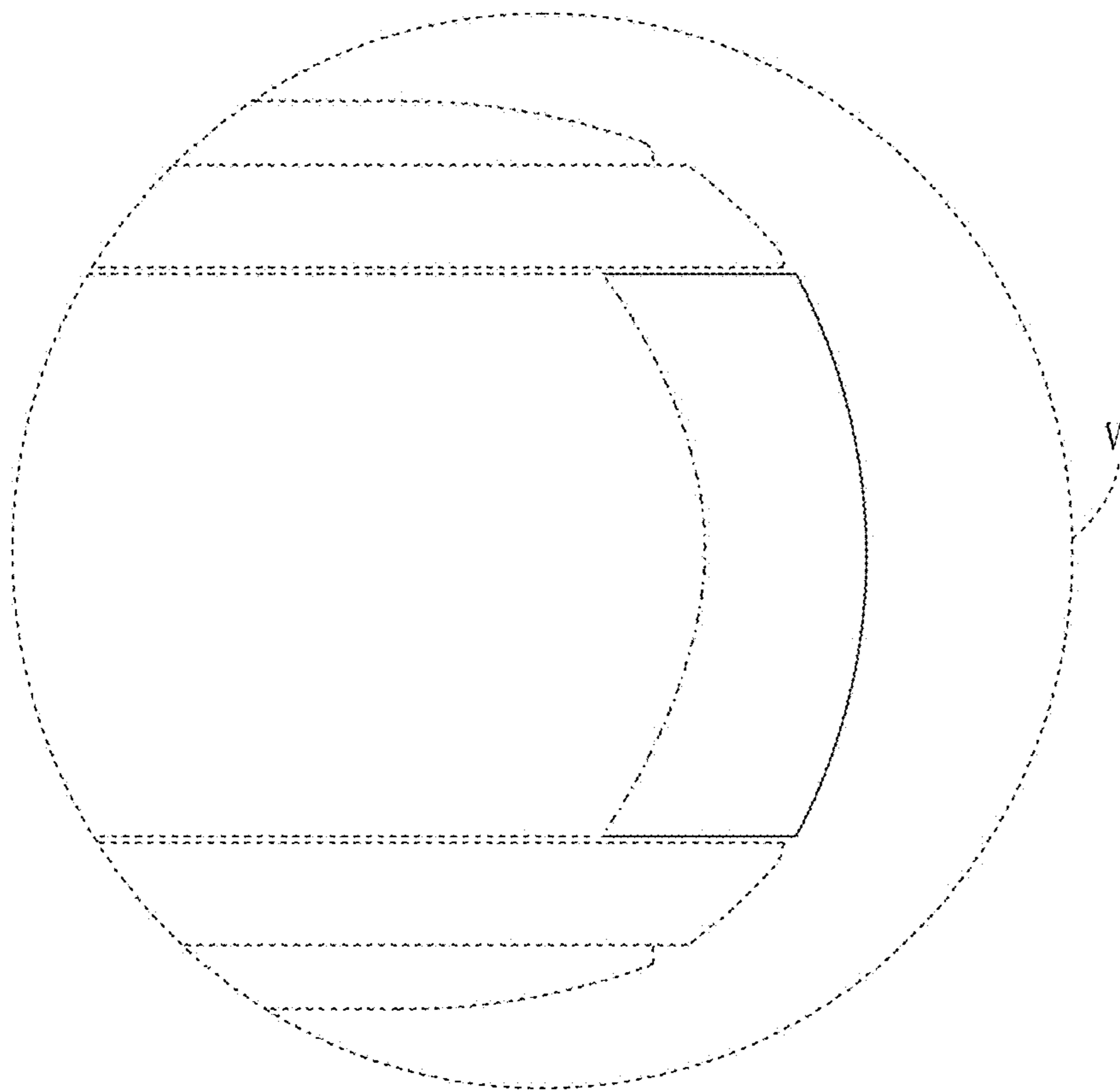
**FIG. 31**



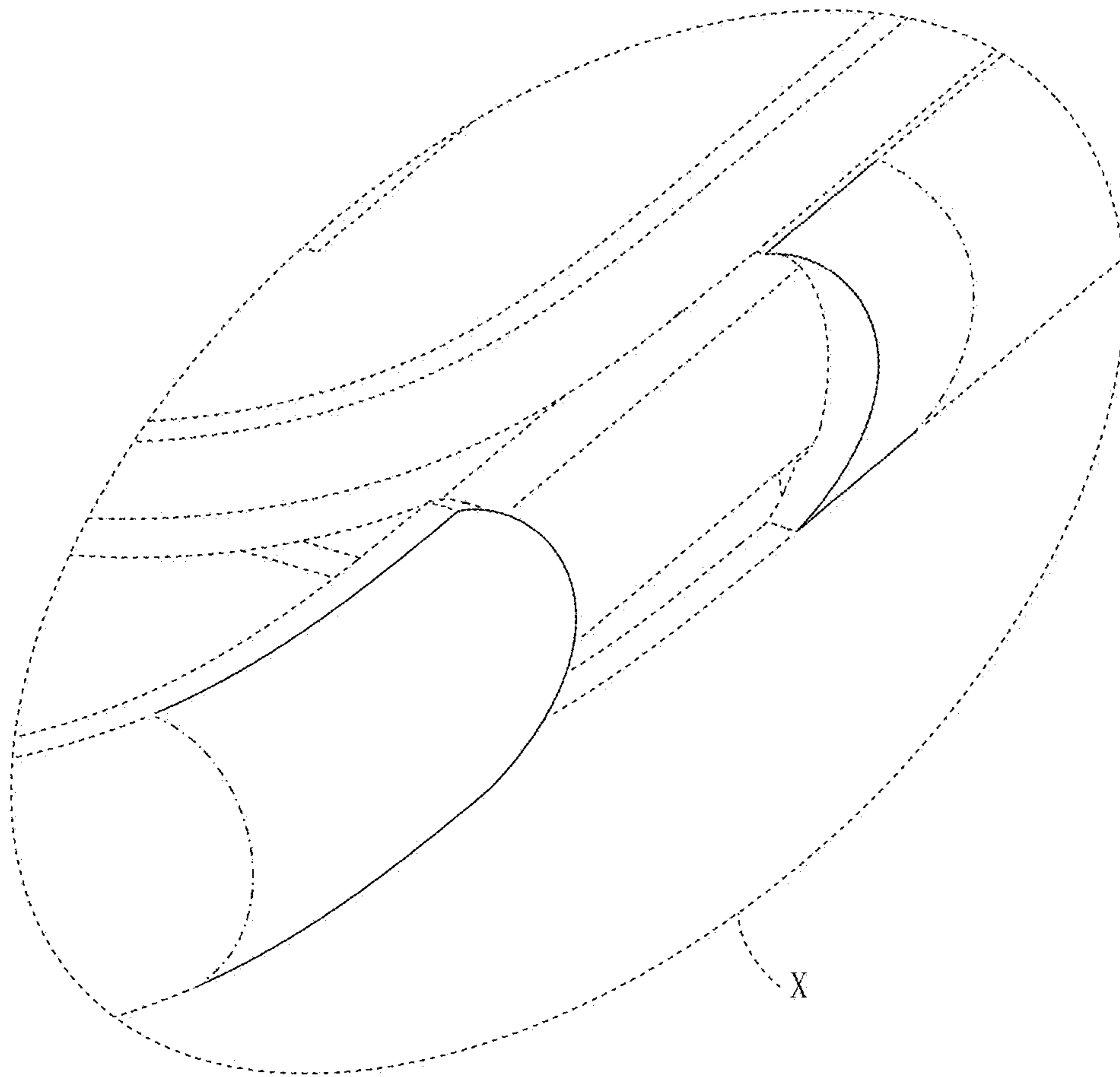
**FIG. 32**



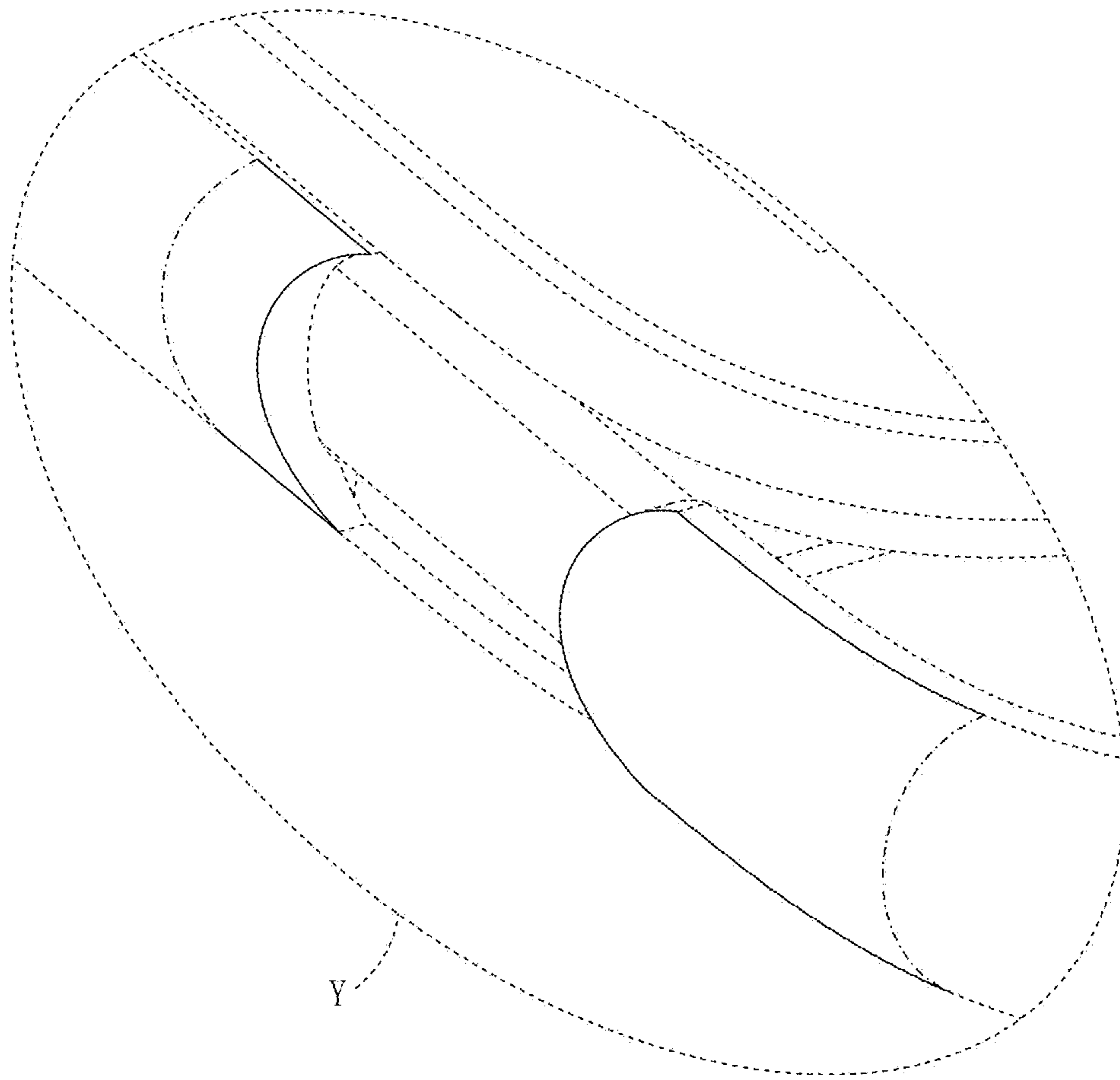
**FIG. 33**



**FIG. 34**



**FIG. 35**



**FIG. 36**