



US00D898711S

(12) **United States Design Patent**  
**Pedersen**

(10) **Patent No.:** **US D898,711 S**  
(45) **Date of Patent:** **\*\* Oct. 13, 2020**

- (54) **COMMUNICATION HEADSET**
- (71) Applicant: **GN AUDIO A/S**, Ballerup (DK)
- (72) Inventor: **Rasmus Trudslev Pedersen**, Ballerup (DK)
- (73) Assignee: **GN Audio A/S**, Ballerup (DK)
- (\*\*) Term: **15 Years**
- (21) Appl. No.: **29/670,994**
- (22) Filed: **Nov. 21, 2018**

D318,053 S 7/1991 Ludeke  
 D337,116 S 7/1993 Hattori  
 D345,163 S 3/1994 Yamatogi  
 (Continued)

**FOREIGN PATENT DOCUMENTS**

CN 303478980 \* 12/2015  
 CN 305412569 \* 11/2019  
 (Continued)

*Primary Examiner* — Paula Allen Greene  
 (74) *Attorney, Agent, or Firm* — Hamre, Schumann, Mueller & Larson, P.C.

(30) **Foreign Application Priority Data**

Jun. 6, 2018 (EM) ..... 505299229-0001  
 Jun. 6, 2018 (EM) ..... 505299229-0002  
 Jun. 6, 2018 (EM) ..... 505299229-0003

(51) **LOC (12) Cl.** ..... **14-01**

(52) **U.S. Cl.**  
 USPC ..... **D14/225**; D14/206

(58) **Field of Classification Search**  
 USPC ..... D14/206, 205, 218, 225, 228, 226;  
 D29/112; 2/209; 181/129, 130, 135;  
 379/430, 431; 381/380, 381, 374;  
 455/90.3, 575.1, 569.1  
 CPC .... H04R 25/00; H04R 1/1066; H04R 1/1016;  
 H04R 5/033; H04R 5/0335; H04R 19/04;  
 H04R 1/1041; H04R 1/1091  
 See application file for complete search history.

(56) **References Cited**

**U.S. PATENT DOCUMENTS**

D246,259 S \* 11/1977 Nishimura ..... D14/205  
 D246,519 S 11/1977 Kato  
 D286,874 S \* 11/1986 Bertagna ..... D14/205  
 D291,198 S 8/1987 Bellini  
 5,018,599 A \* 5/1991 Dohi ..... H04R 1/1008  
 181/129

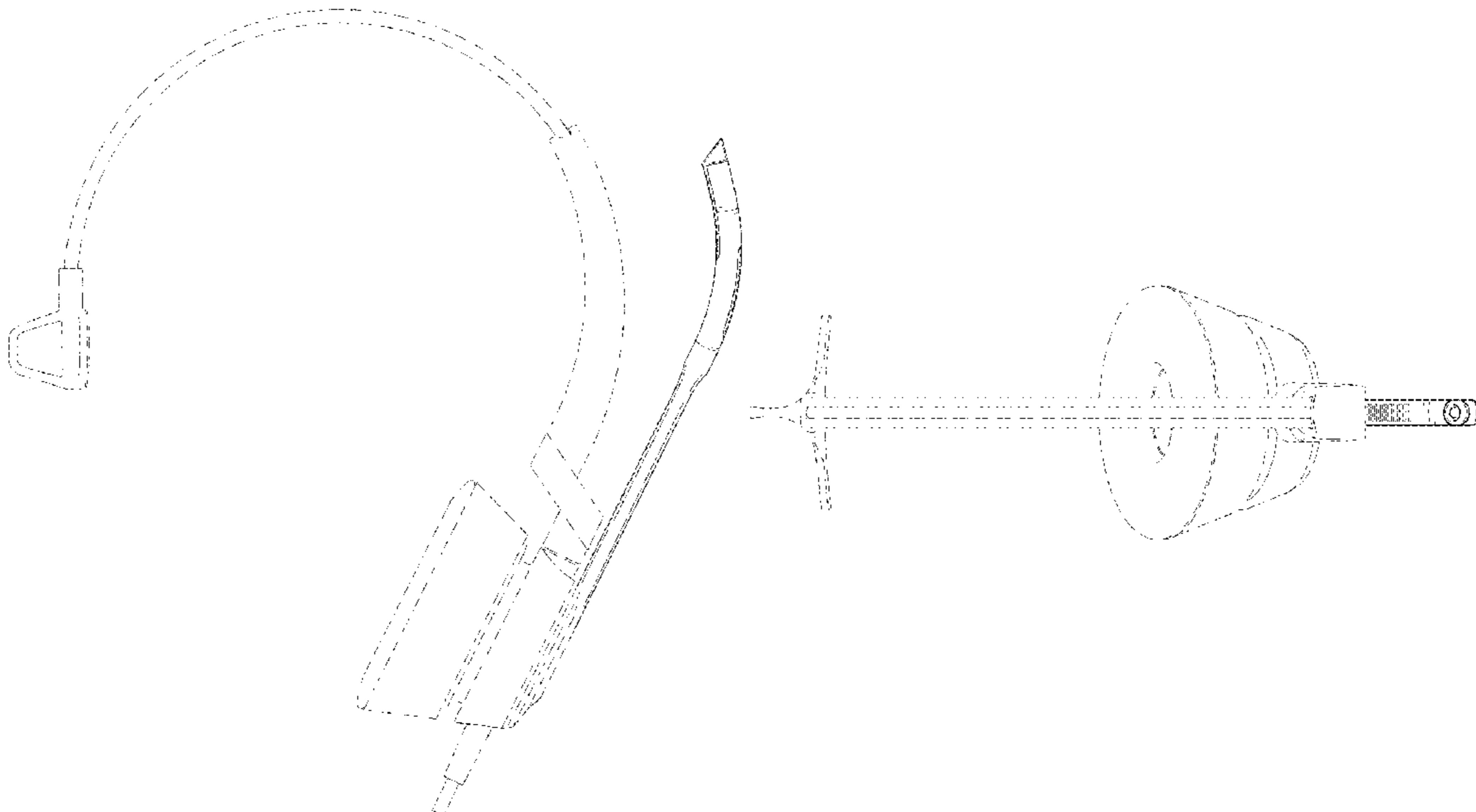
(57) **CLAIM**

The ornamental design for a communication headset, as shown and described.

**DESCRIPTION**

FIG. 1 is a front view of a communication headset showing our new design;  
 FIG. 2 is a bottom plan view thereof;  
 FIG. 3 is a top plan view thereof;  
 FIG. 4 is a right side view thereof;  
 FIG. 5 is a left side view thereof;  
 FIG. 6 is a rear view thereof;  
 FIG. 7 is a top perspective view thereof;  
 FIG. 8 is a front view of a second embodiment of a communications headset showing our new design;  
 FIG. 9 is a bottom plan view thereof;  
 FIG. 10 is a top plan view thereof;  
 FIG. 11 is a right side view thereof;  
 FIG. 12 is a left side view thereof;  
 FIG. 13 is a rear view thereof; and,  
 FIG. 14 is a top perspective view thereof.  
 The broken line immediately adjacent the shaded areas represent the bounds of the claimed design while all other broken lines are directed to environment that are for illustrative purposes only; the broken lines for no part of the claimed design.

**1 Claim, 14 Drawing Sheets**



(56)

References Cited

U.S. PATENT DOCUMENTS

D346,802 S 5/1994 Sacherman  
 5,369,857 A 12/1994 Sacherman  
 5,406,037 A 4/1995 Nageno  
 D410,466 S 6/1999 Mouri  
 D420,356 S 2/2000 Suzuki  
 D435,249 S 12/2000 Yasutomi  
 D447,472 S \* 9/2001 McGugan ..... D14/225  
 D449,039 S \* 10/2001 Weikel ..... D14/227  
 D458,597 S \* 6/2002 Davies ..... D14/206  
 6,560,346 B2 \* 5/2003 Ohta ..... H04R 1/083  
 381/370  
  
 D482,019 S 11/2003 Petersen  
 D484,485 S 12/2003 Matsuoka  
 D488,146 S 4/2004 Minto  
 D494,154 S \* 8/2004 Polito ..... D14/206  
 D504,414 S 4/2005 Yoshida  
 D514,086 S \* 1/2006 Skulley ..... D14/206  
 D517,528 S \* 3/2006 Skulley ..... D14/206  
 D518,479 S \* 4/2006 Skulley ..... D14/225  
 D530,702 S 10/2006 Pritchard  
 D531,165 S 10/2006 Rath  
 D533,514 S \* 12/2006 Hidalgo ..... D13/168  
 D534,156 S \* 12/2006 Obata ..... D14/205  
 D539,267 S \* 3/2007 Komiyama ..... D14/205  
 D539,788 S \* 4/2007 Thompson ..... D14/225  
 D539,789 S \* 4/2007 Rausch ..... D14/225  
 D540,303 S 4/2007 Rausch  
 D541,256 S \* 4/2007 Rausch ..... D14/205  
 D549,688 S 8/2007 Suzuki  
 D563,382 S 3/2008 Wikel  
 D567,215 S 4/2008 Lee  
 7,356,362 B2 4/2008 Chang  
 D568,827 S \* 5/2008 Ikeda ..... D13/168  
 7,388,960 B2 6/2008 Kuo  
 D573,957 S \* 7/2008 Ledbetter ..... D13/168  
 D582,890 S 12/2008 Koza  
 D588,098 S 3/2009 Kurihara  
 D592,640 S 5/2009 Tkachuk  
 D593,995 S 6/2009 Shimizu  
 D602,001 S \* 10/2009 Bentley ..... D14/206  
 D602,906 S \* 10/2009 Groves ..... D14/205  
 D603,370 S 11/2009 Suzuki  
 D604,266 S 11/2009 Milde  
 D617,769 S 6/2010 Birger  
 D628,189 S \* 11/2010 Rath ..... D14/206  
 D634,732 S \* 3/2011 Kondo ..... D14/205  
 D639,776 S 6/2011 Arimoto

D645,023 S \* 9/2011 Brandis ..... D14/206  
 D648,330 S \* 11/2011 Fischer ..... D14/226  
 8,061,473 B1 \* 11/2011 Kerr ..... A61F 11/008  
 181/135  
 D652,017 S \* 1/2012 Groves ..... D14/206  
 D654,472 S 2/2012 Fischer  
 D668,240 S \* 10/2012 Brandis ..... D14/206  
 D673,524 S \* 1/2013 Brennwald ..... D14/206  
 D681,014 S \* 4/2013 Ham ..... D14/206  
 D684,145 S \* 6/2013 Rath ..... D14/206  
 D684,559 S \* 6/2013 Groset ..... D14/205  
 D692,410 S 10/2013 Brunner  
 D709,860 S 7/2014 Brunner  
 D716,258 S 10/2014 Awiszus  
 D716,259 S 10/2014 Awiszus  
 D716,762 S 11/2014 Greve  
 D719,135 S \* 12/2014 Kelley ..... D14/205  
 D725,074 S 3/2015 Boeckel  
 D726,147 S \* 4/2015 Tran ..... D14/206  
 D726,160 S \* 4/2015 Chang ..... D14/218  
 D728,512 S 5/2015 Nakagawa  
 D732,002 S \* 6/2015 Goransson ..... D14/206  
 D750,043 S \* 2/2016 Birger ..... D14/206  
 D769,212 S 10/2016 Larsen et al.  
 D806,676 S \* 1/2018 Fuglsang ..... D14/206  
 D811,371 S \* 2/2018 Meyer ..... D14/218  
 D822,638 S \* 7/2018 Liu ..... D14/206  
 D830,339 S \* 10/2018 Yan ..... D14/206  
 D842,267 S \* 3/2019 Pedersen ..... D14/205  
 D843,967 S \* 3/2019 Paterson ..... D14/205  
 D848,395 S \* 5/2019 Kelley ..... D14/205  
 D866,513 S \* 11/2019 Lindof ..... D14/206  
 D866,514 S \* 11/2019 Lindof ..... D14/206  
 D867,330 S \* 11/2019 Lindof ..... D14/206  
 D867,331 S \* 11/2019 Lindof ..... D14/206  
 D868,734 S \* 12/2019 Wang ..... D14/206  
 2011/0135134 A1 \* 6/2011 Essabar ..... H04R 1/1025  
 381/374  
 2011/0206216 A1 8/2011 Brunner  
 2012/0163616 A1 \* 6/2012 Birch ..... H04M 1/6058  
 381/74  
 2012/0328119 A1 \* 12/2012 Heise ..... H04R 1/1066  
 381/74

FOREIGN PATENT DOCUMENTS

EM 001676982-0002 \* 3/2010  
 JP D1106438 \* 2/2001

\* cited by examiner

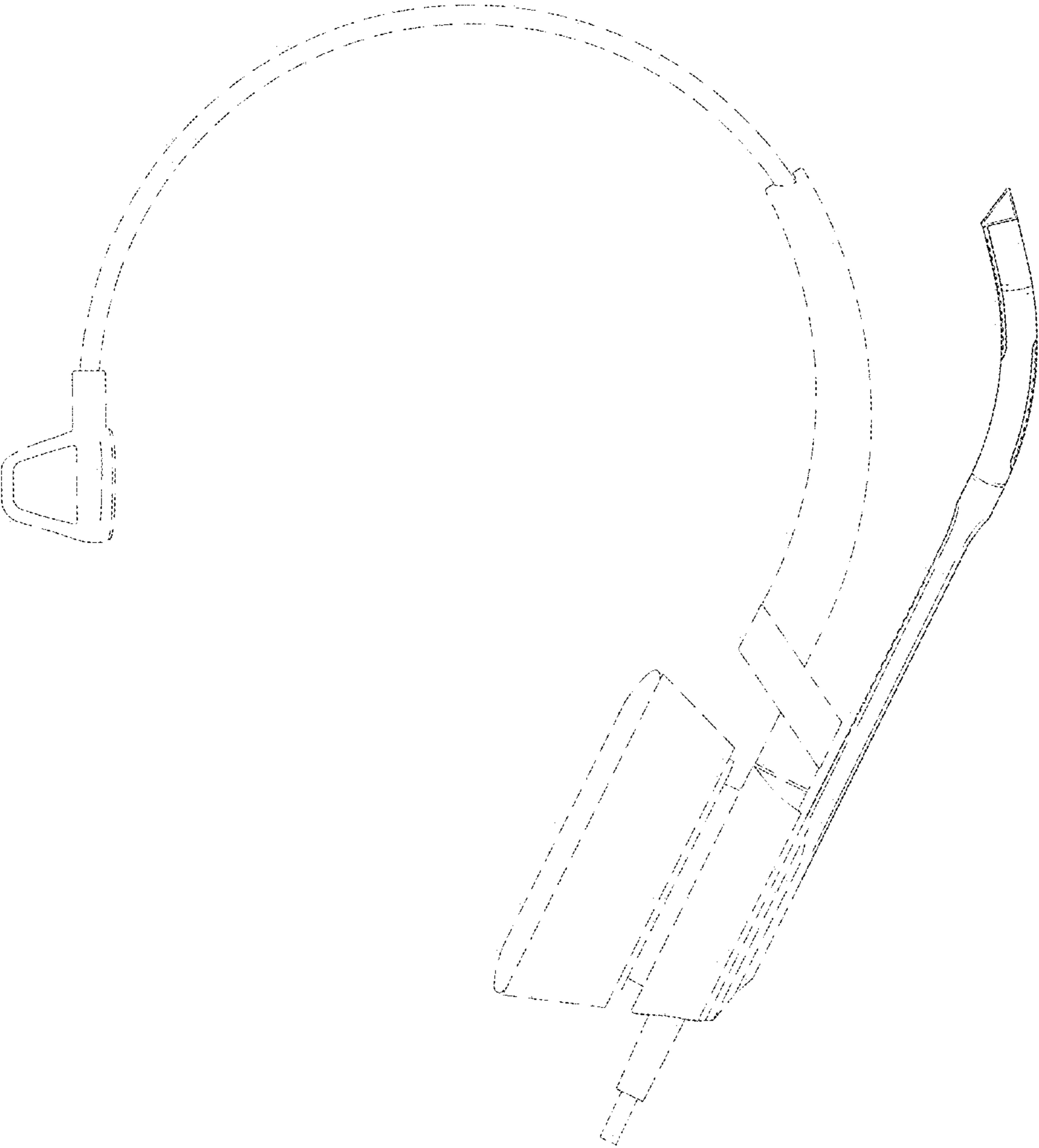


FIG.1

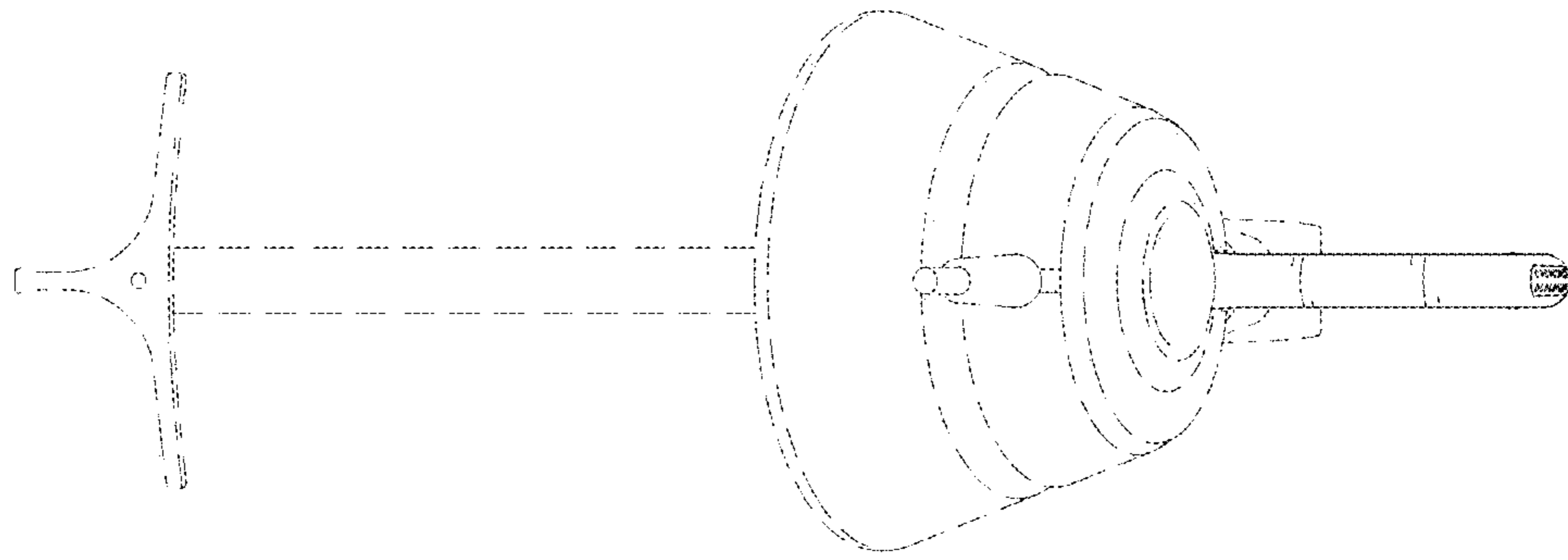


FIG.2

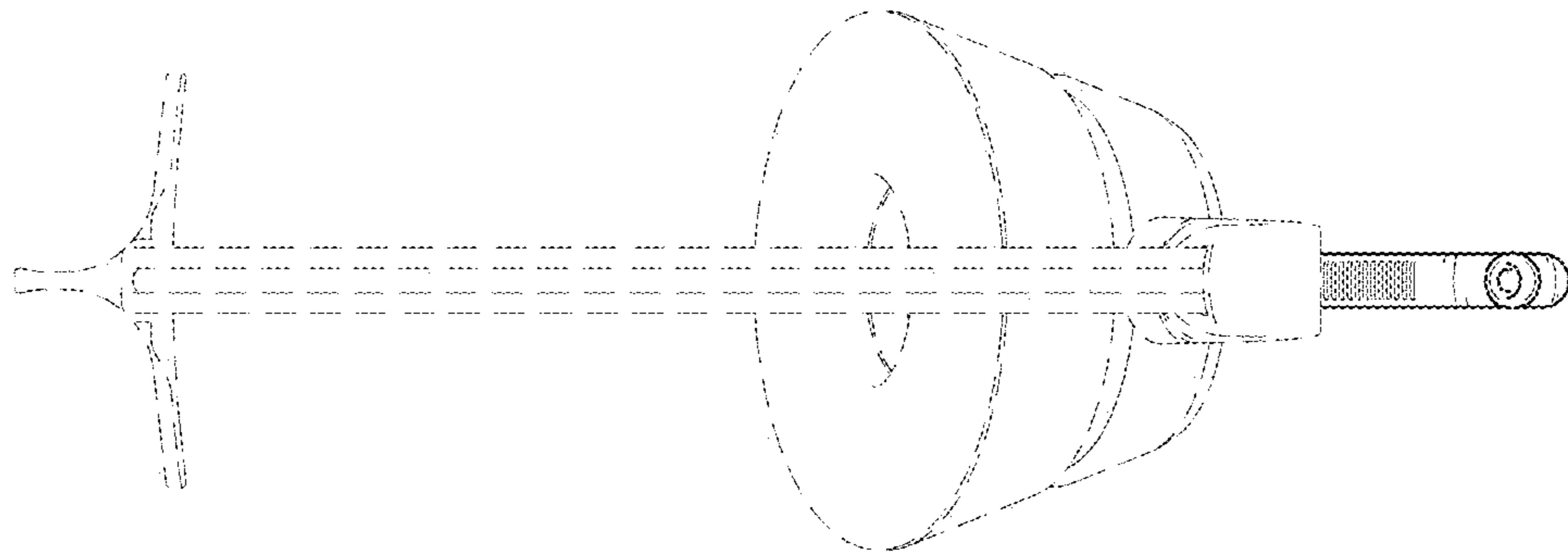


FIG.3

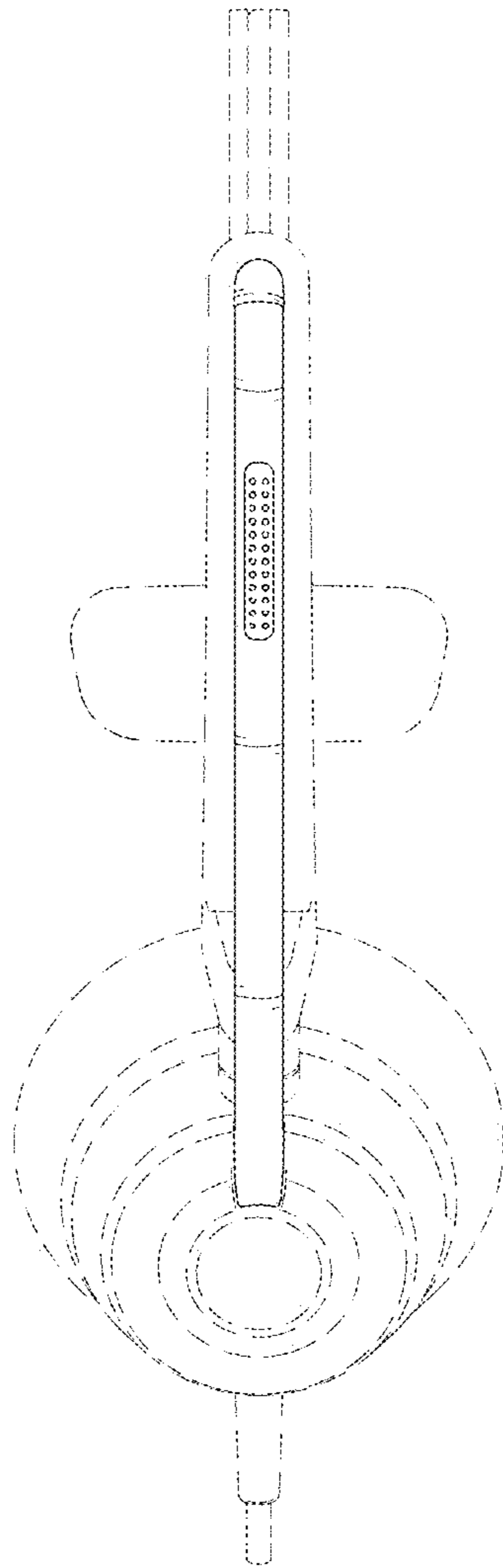


FIG.4

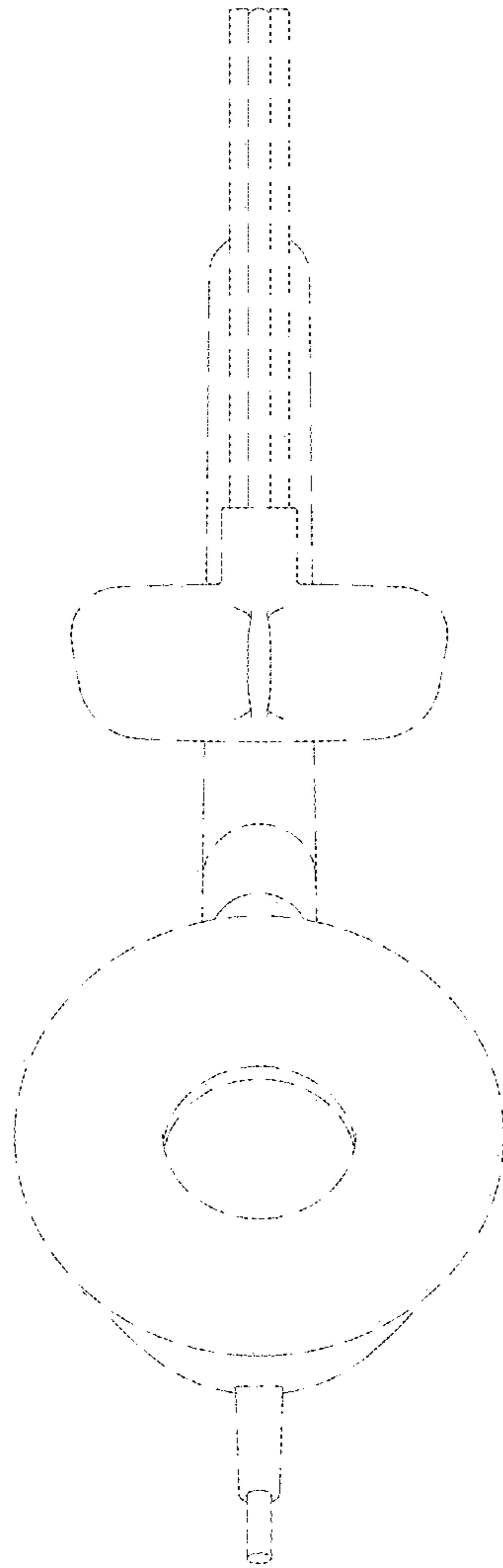


FIG.5

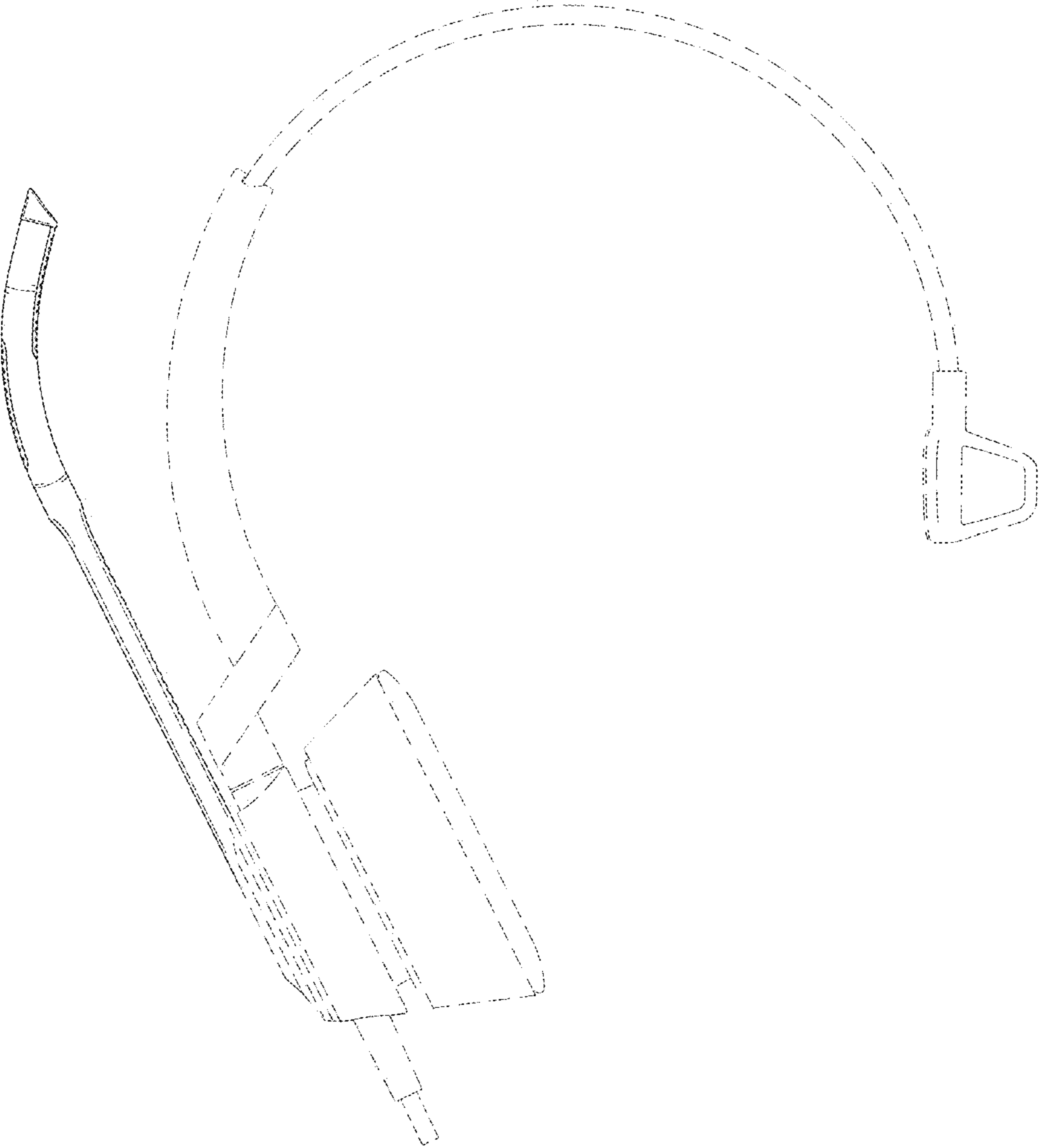


FIG.6



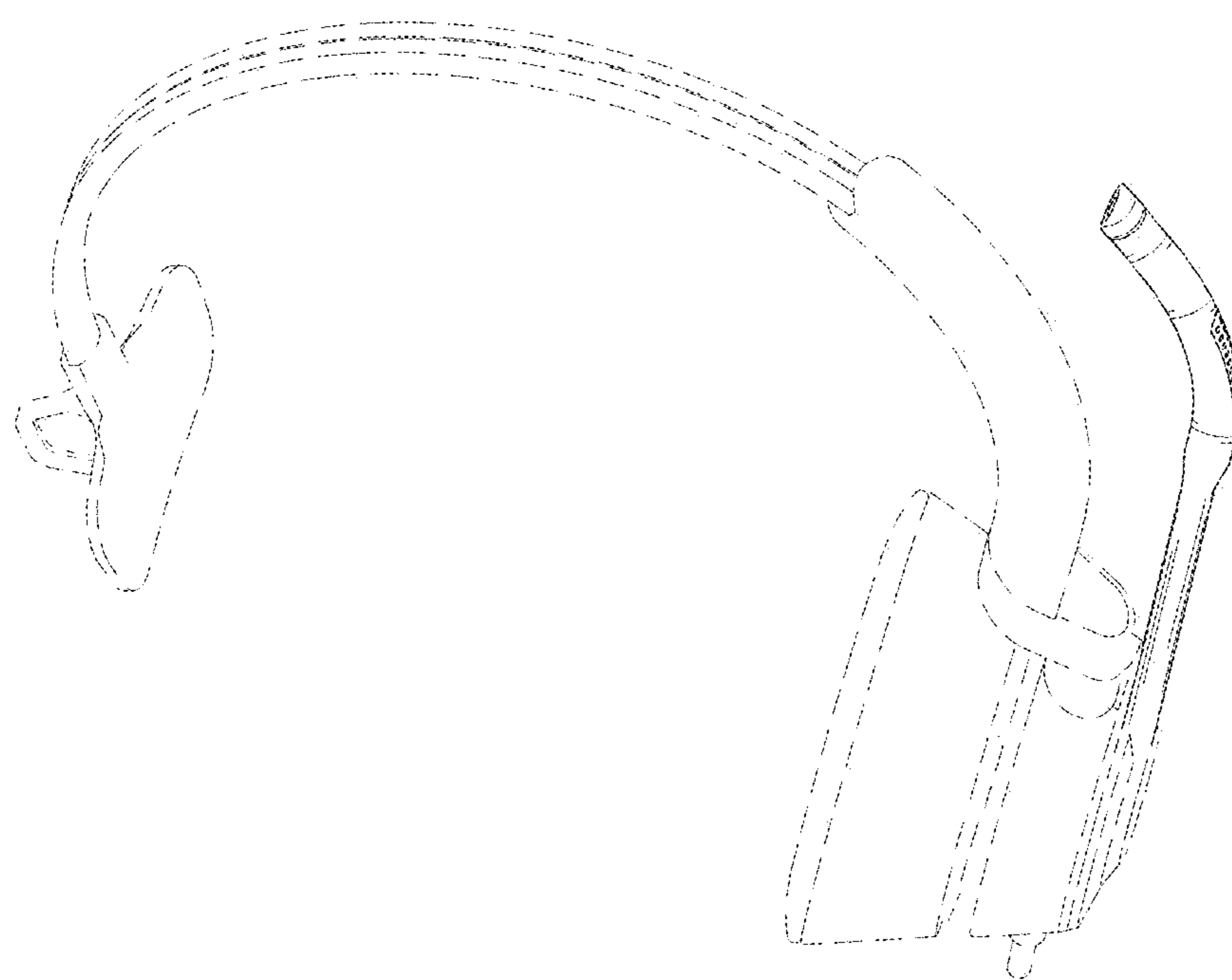


FIG.7

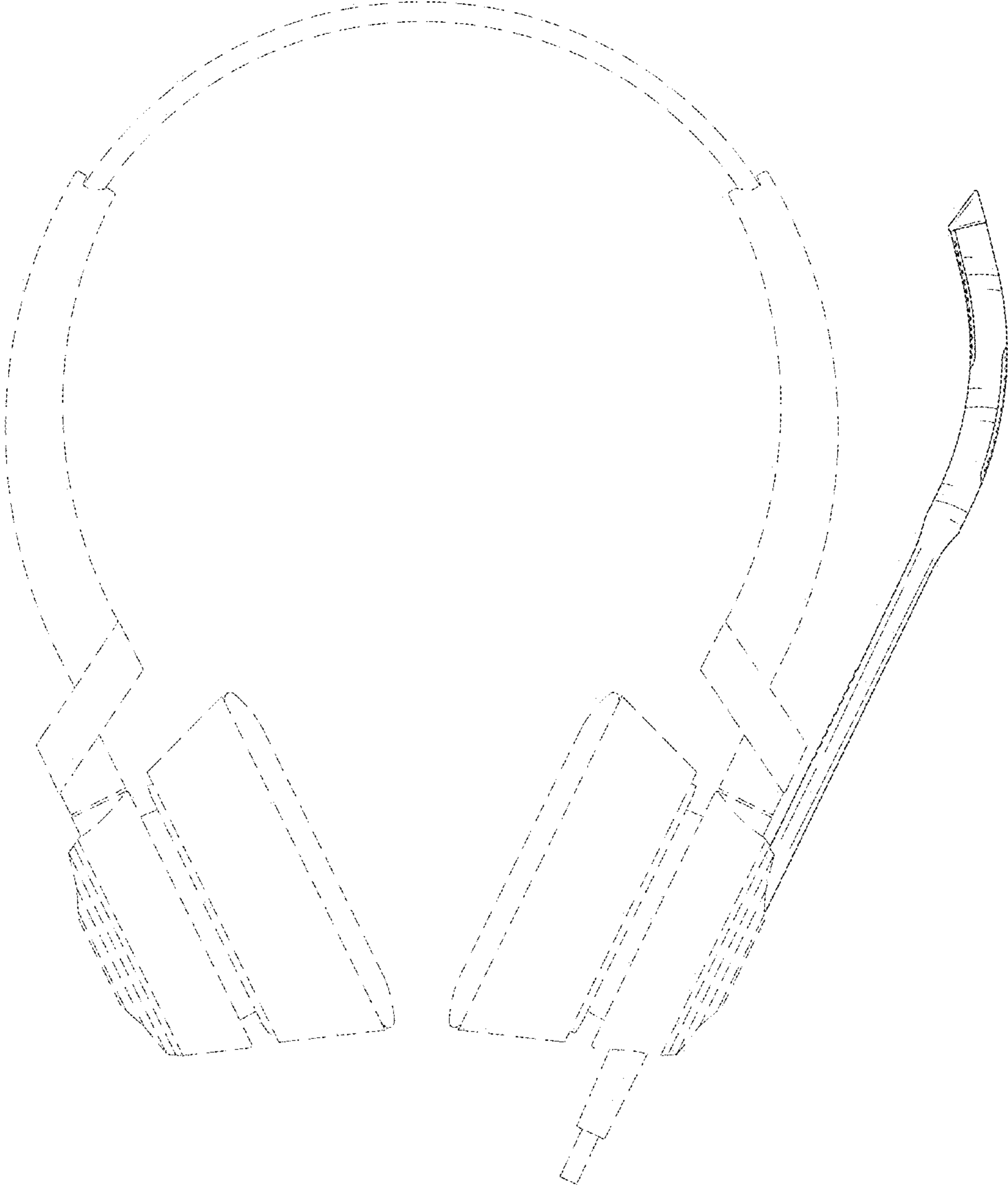


FIG.8

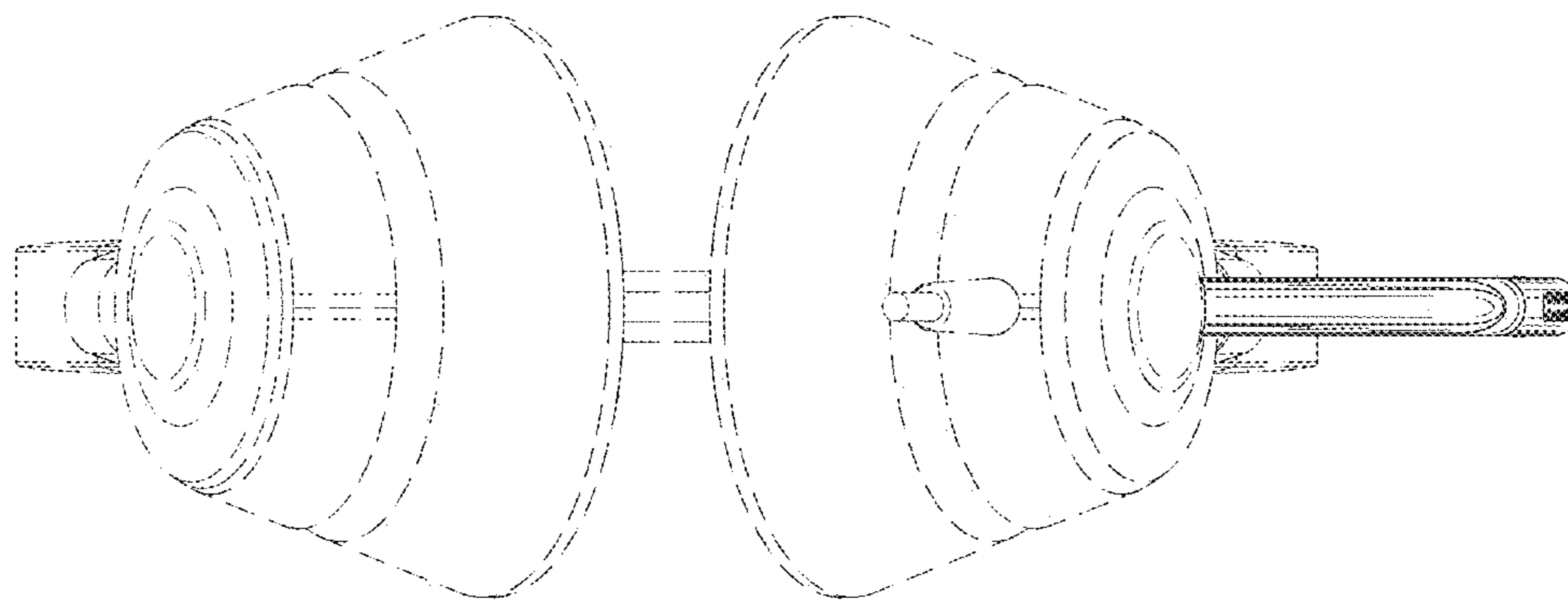


FIG.9

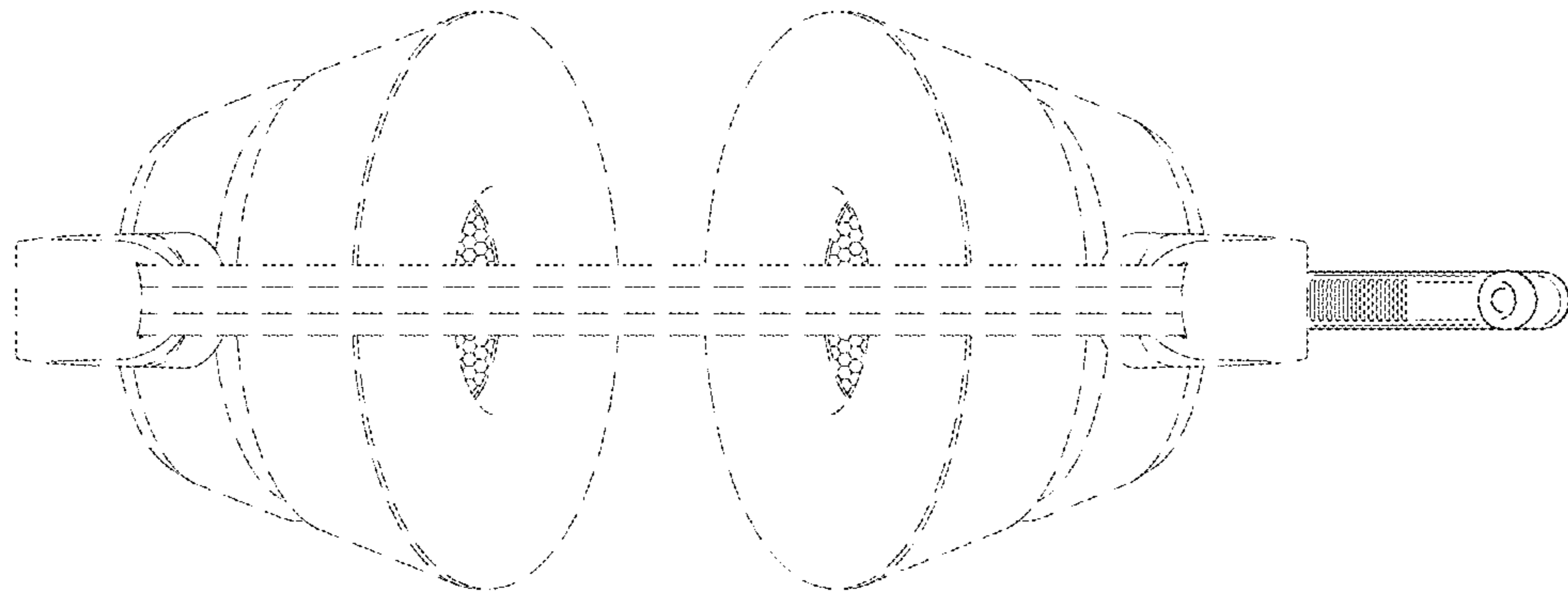


FIG.10

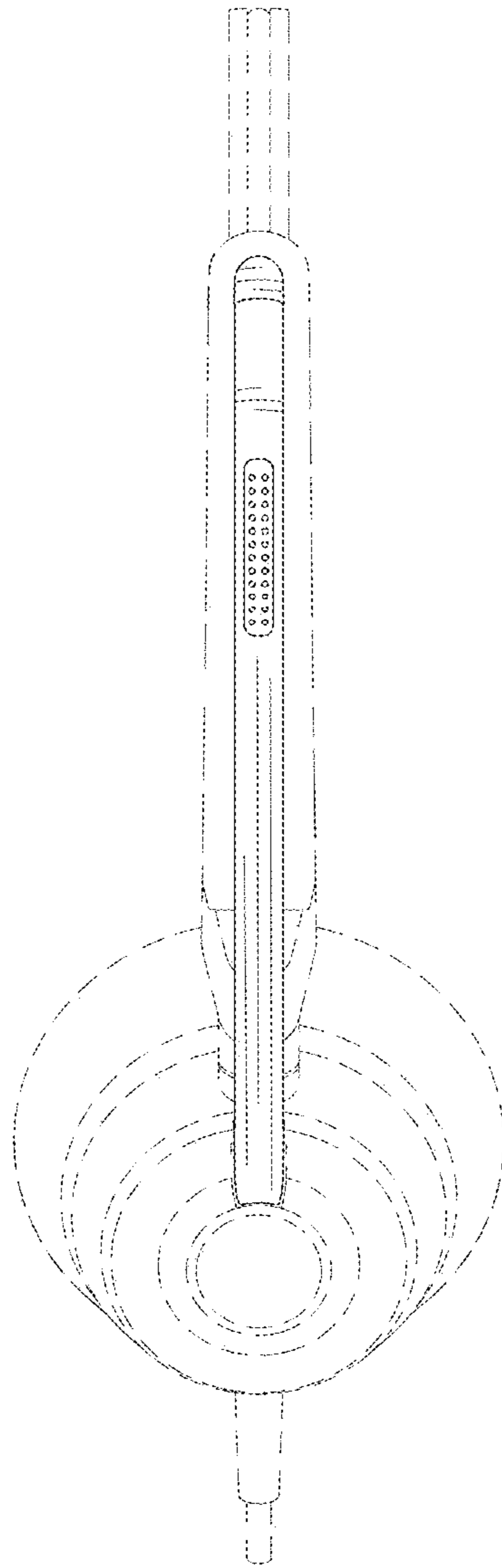


FIG.11

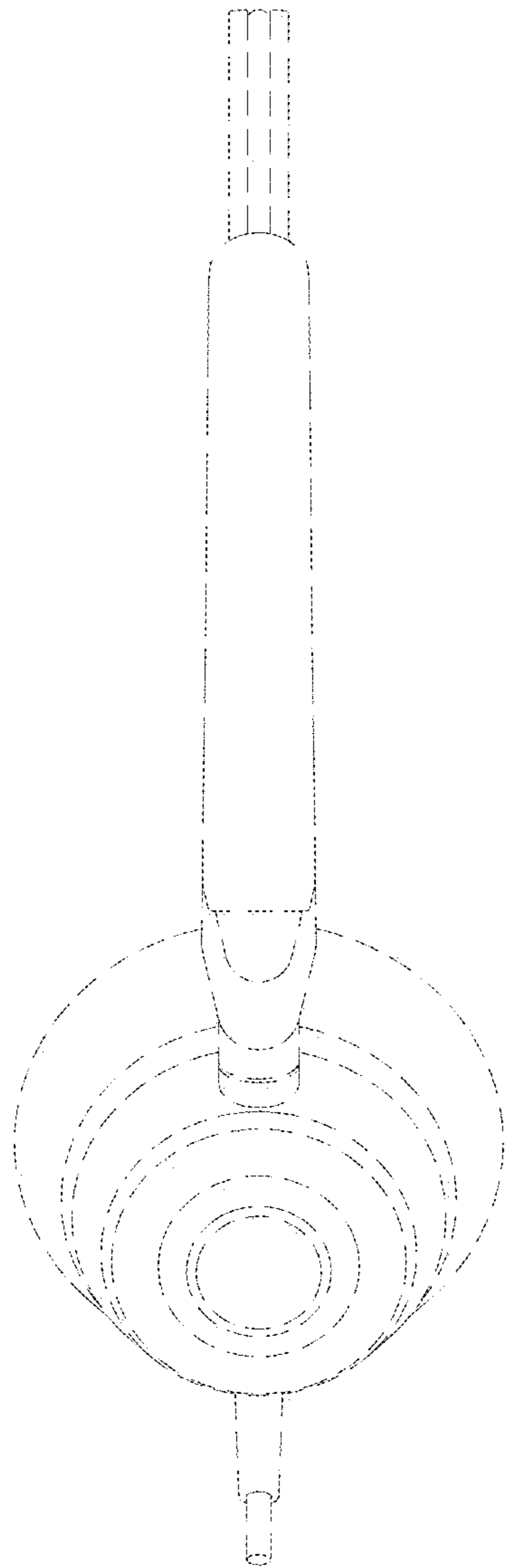


FIG.12

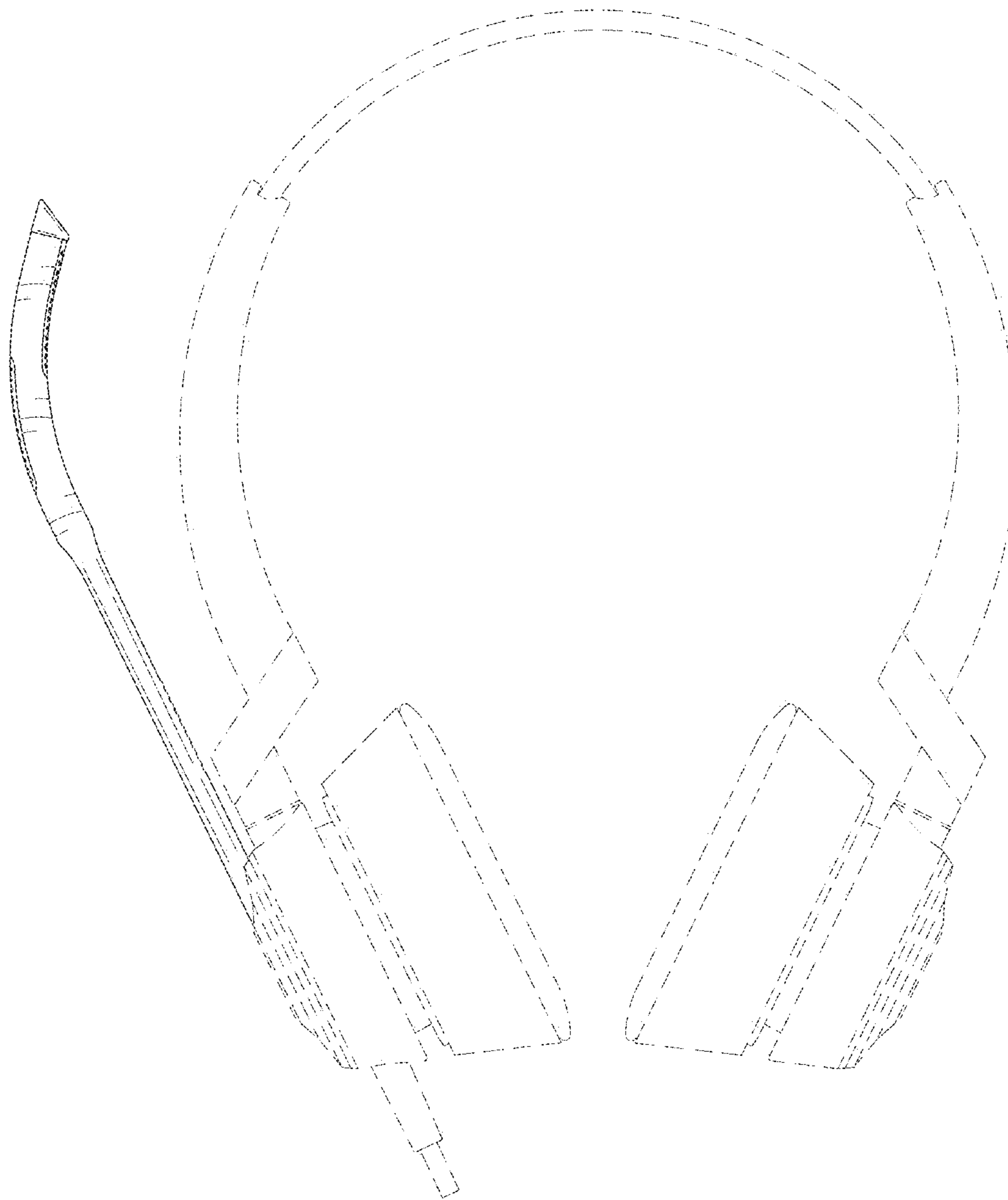


FIG.13

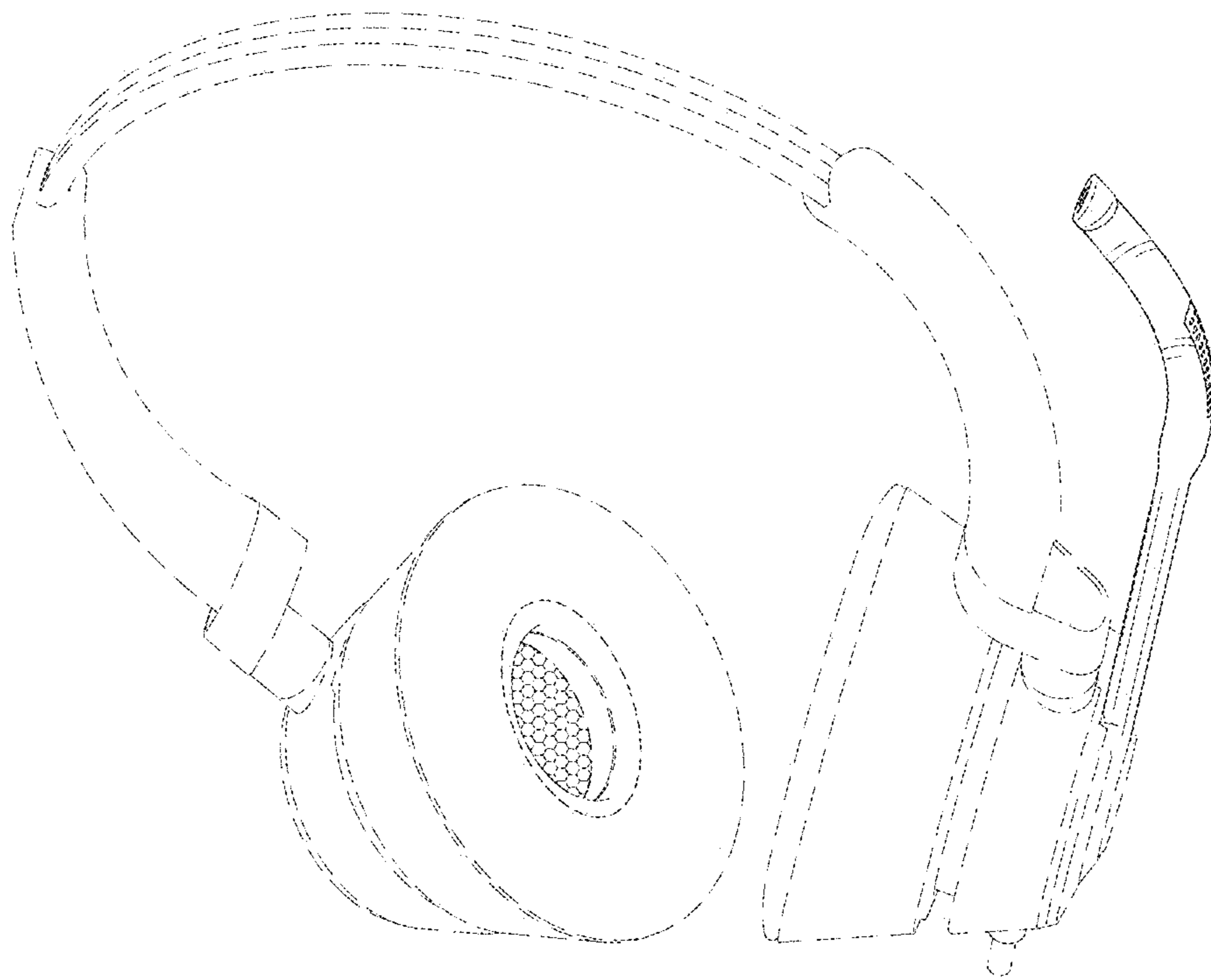


FIG.14