



US00D898709S

(12) **United States Design Patent** (10) **Patent No.:** **US D898,709 S**  
**Jiang** (45) **Date of Patent:** **\*\* Oct. 13, 2020**

- (54) **EARPHONE**
- (71) Applicant: **Min Jiang**, Changsha County (CN)
- (72) Inventor: **Min Jiang**, Changsha County (CN)
- (\*\*) Term: **15 Years**
- (21) Appl. No.: **29/691,415**
- (22) Filed: **May 16, 2019**
- (51) **LOC (12) Cl.** ..... **14-01**
- (52) **U.S. Cl.**  
USPC ..... **D14/223**
- (58) **Field of Classification Search**  
USPC ..... D14/223, 205, 206; D24/174; 128/864,  
128/865, 866; 181/129, 130, 135;  
379/430, 431; 381/380, 381, 322-324,  
381/330; 455/90.3, 575, 1, 569.1  
CPC ..... H04R 1/10; H04R 25/00; H04R 1/1016;  
H04R 1/1066; H04R 5/033; H04R  
5/0335; H04R 1/1091; H04R 1/1058;  
H04R 1/105; H04R 1/1083  
See application file for complete search history.

- D567,379 S \* 4/2008 Svensson ..... D24/174
- D600,237 S \* 9/2009 Kwon ..... D14/137
- D605,168 S \* 12/2009 Jaakkola ..... D14/205
- D627,330 S \* 11/2010 Otsuka ..... D14/192
- D681,213 S \* 4/2013 Solby ..... D24/174
- D712,885 S \* 9/2014 James ..... D14/225
- D780,726 S \* 3/2017 Wang ..... D14/240
- D822,642 S \* 7/2018 Knie ..... D14/218
- D853,359 S \* 7/2019 Guo ..... D14/223

\* cited by examiner

*Primary Examiner* — Katie Jane Stofko

(74) *Attorney, Agent, or Firm* — Law Offices of Steven W. Weinrieb

(57) **CLAIM**

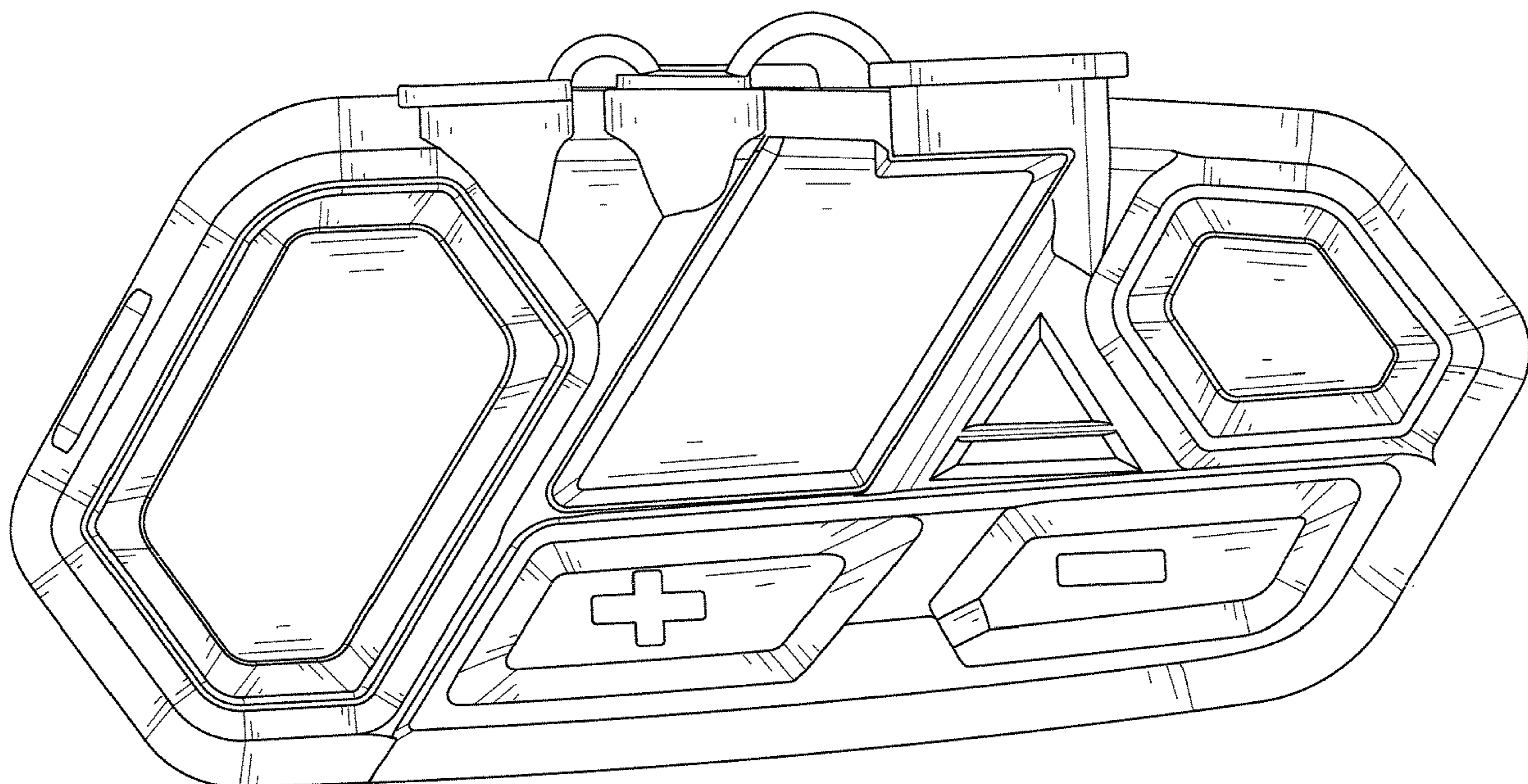
The ornamental design for an earphone, as shown and described.

**DESCRIPTION**

FIG. 1 is a front, right side, top perspective view of an earphone showing my new design;  
 FIG. 2 is a rear, left side, bottom perspective view thereof;  
 FIG. 3 is a front elevational view thereof;  
 FIG. 4 is a rear elevational view thereof;  
 FIG. 5 is a left side elevational view thereof;  
 FIG. 6 is a right side elevational view thereof;  
 FIG. 7 is a top plan view thereof; and,  
 FIG. 8 is a bottom plan view thereof.  
 The broken lines in the drawings illustrate portions of the earphone that form no part of the claimed design.

**1 Claim, 8 Drawing Sheets**

- (56) **References Cited**  
U.S. PATENT DOCUMENTS  
4,754,484 A \* 6/1988 Larkin ..... H04M 1/05  
379/419  
D478,576 S \* 8/2003 Leong ..... D14/223  
D550,708 S \* 9/2007 Kim ..... D14/496  
D558,740 S \* 1/2008 Jaakkola ..... D14/223



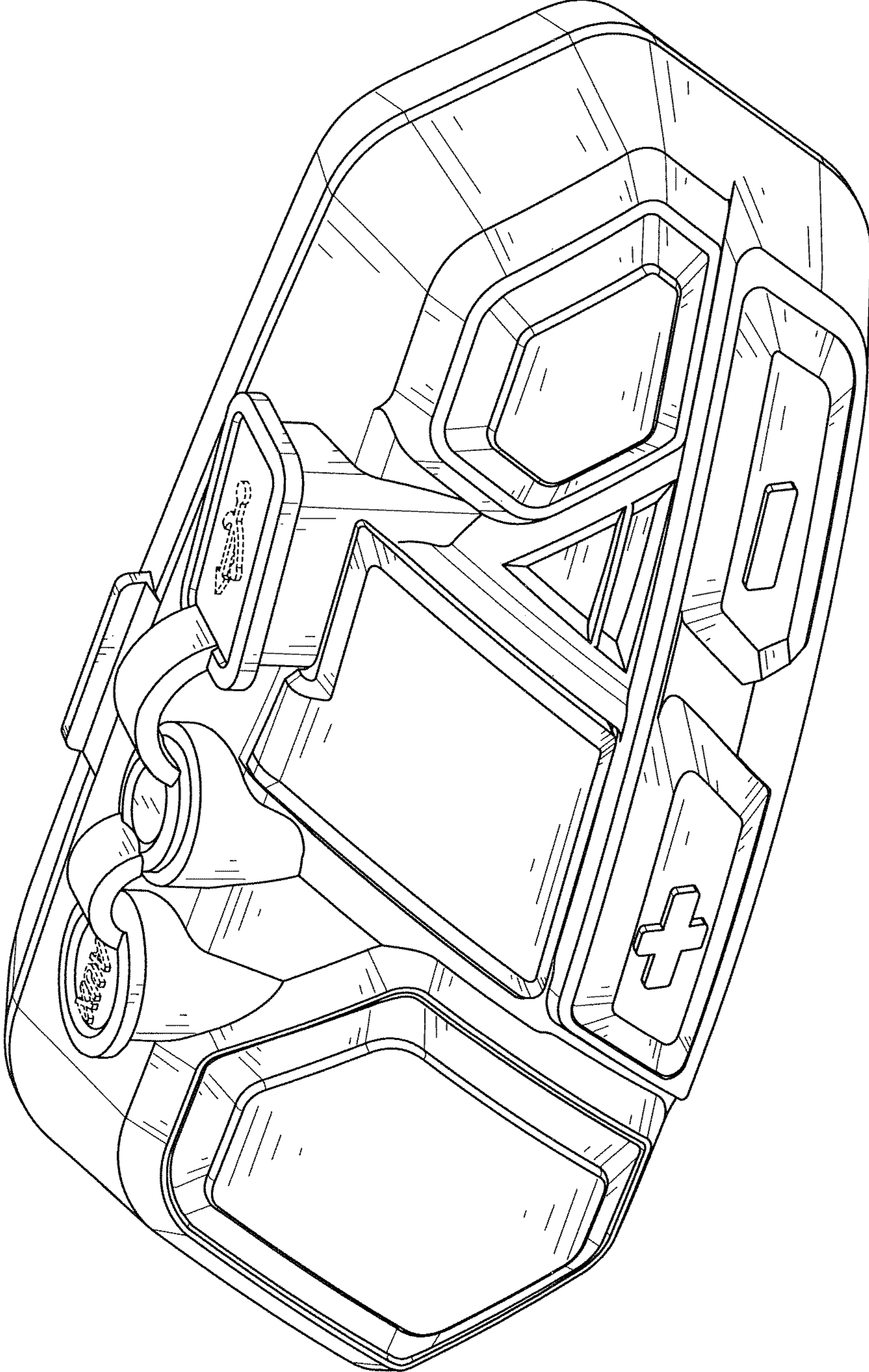


FIG. 1

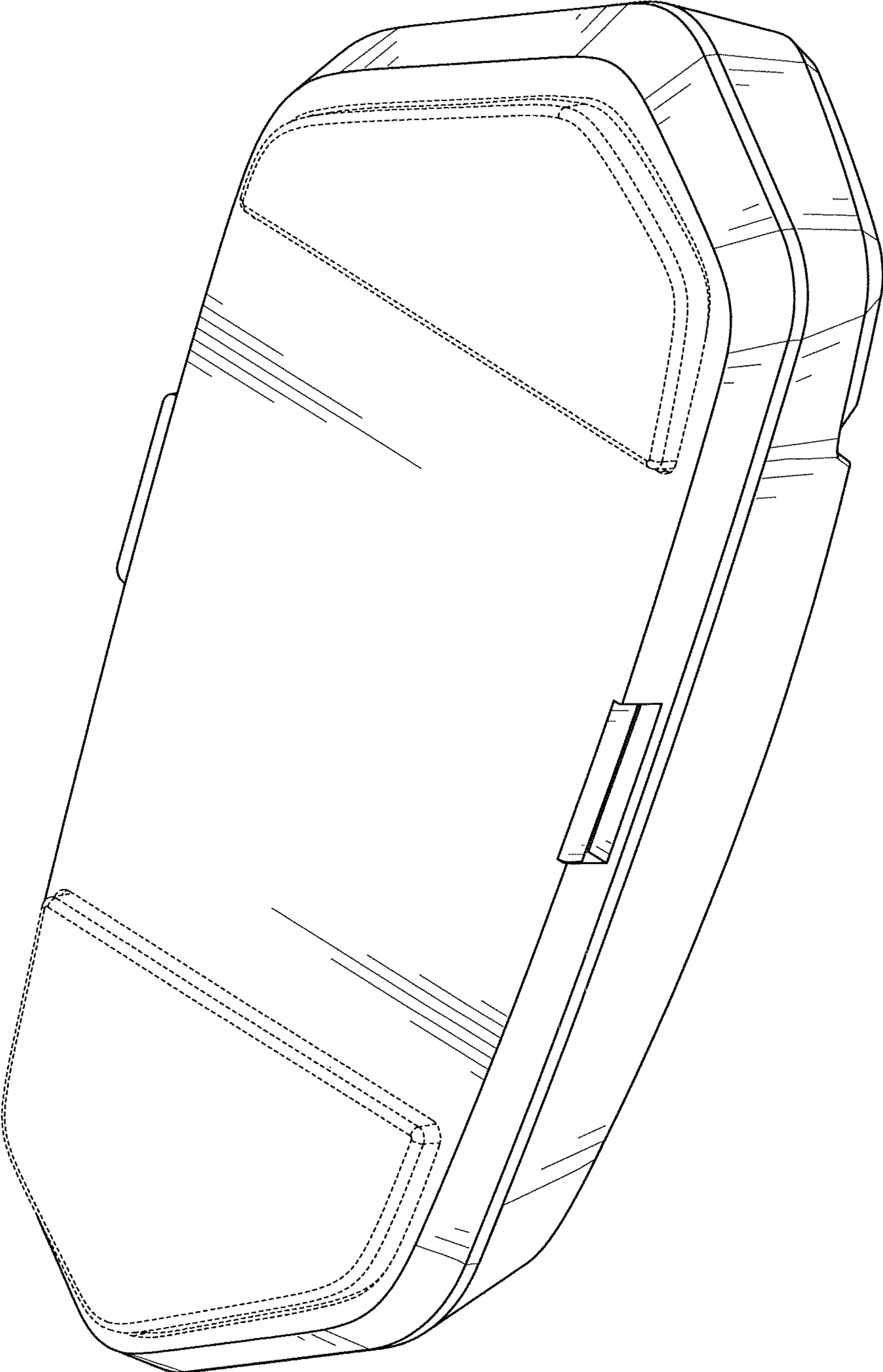


FIG. 2

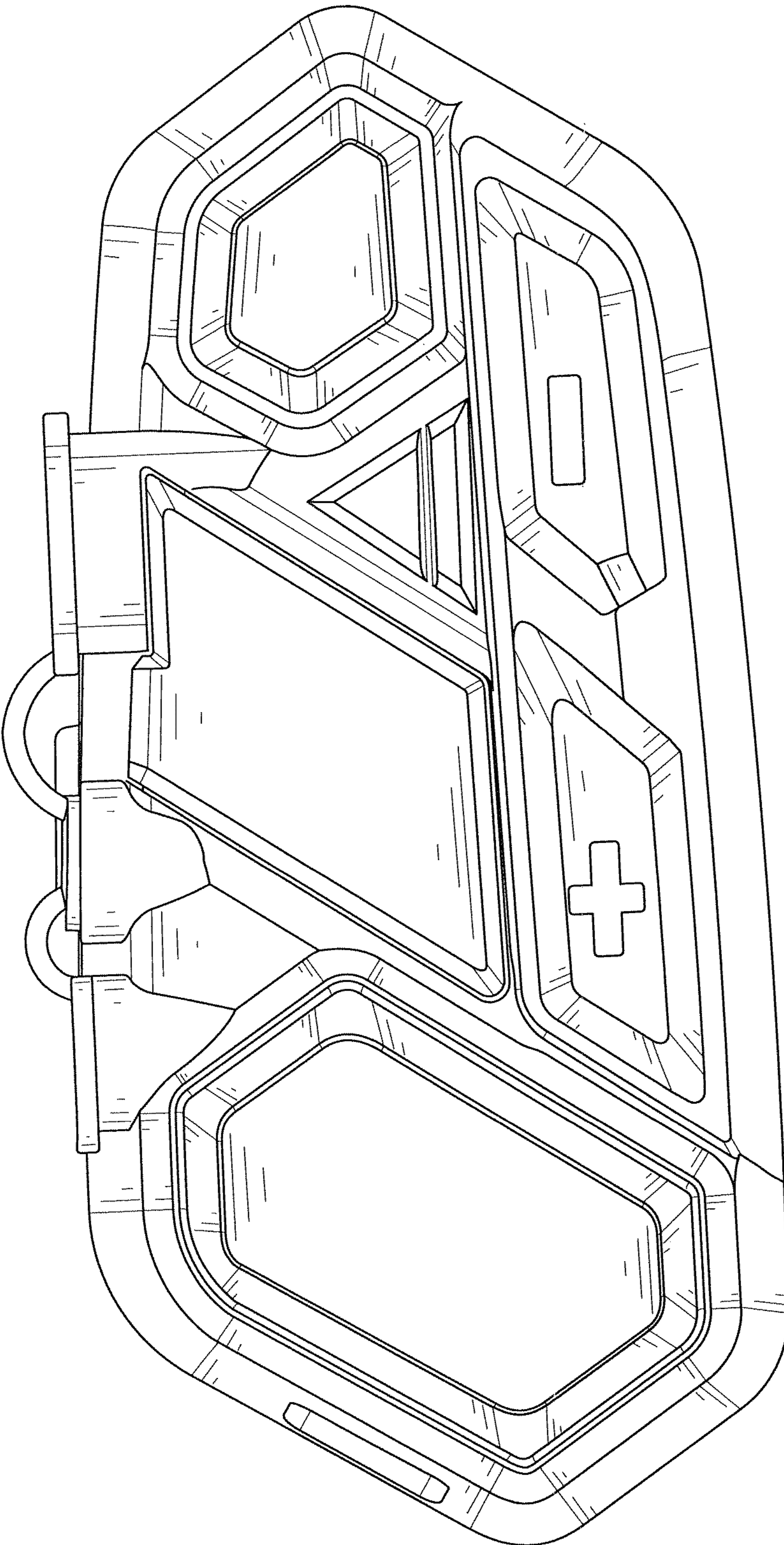


FIG. 3

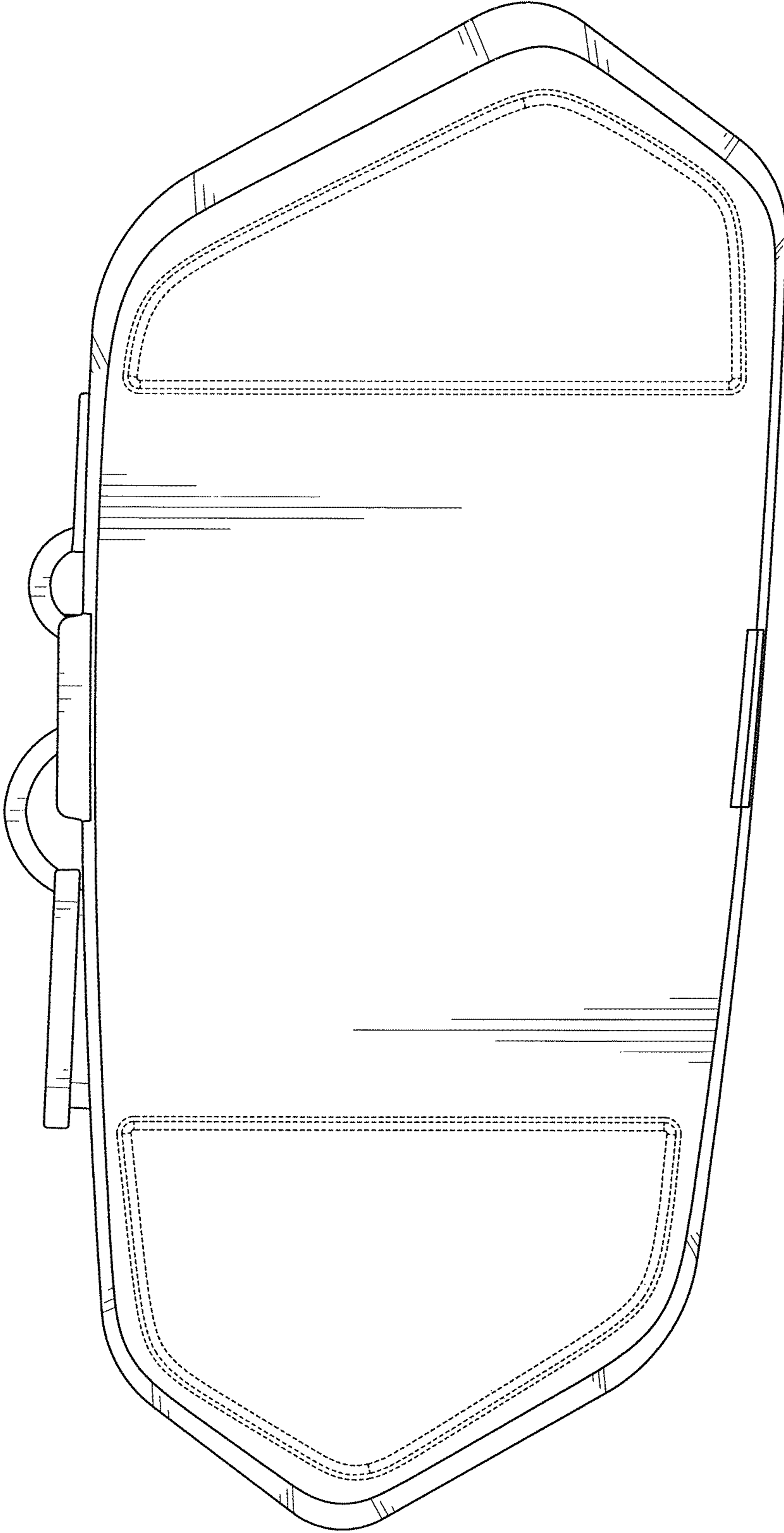


FIG. 4

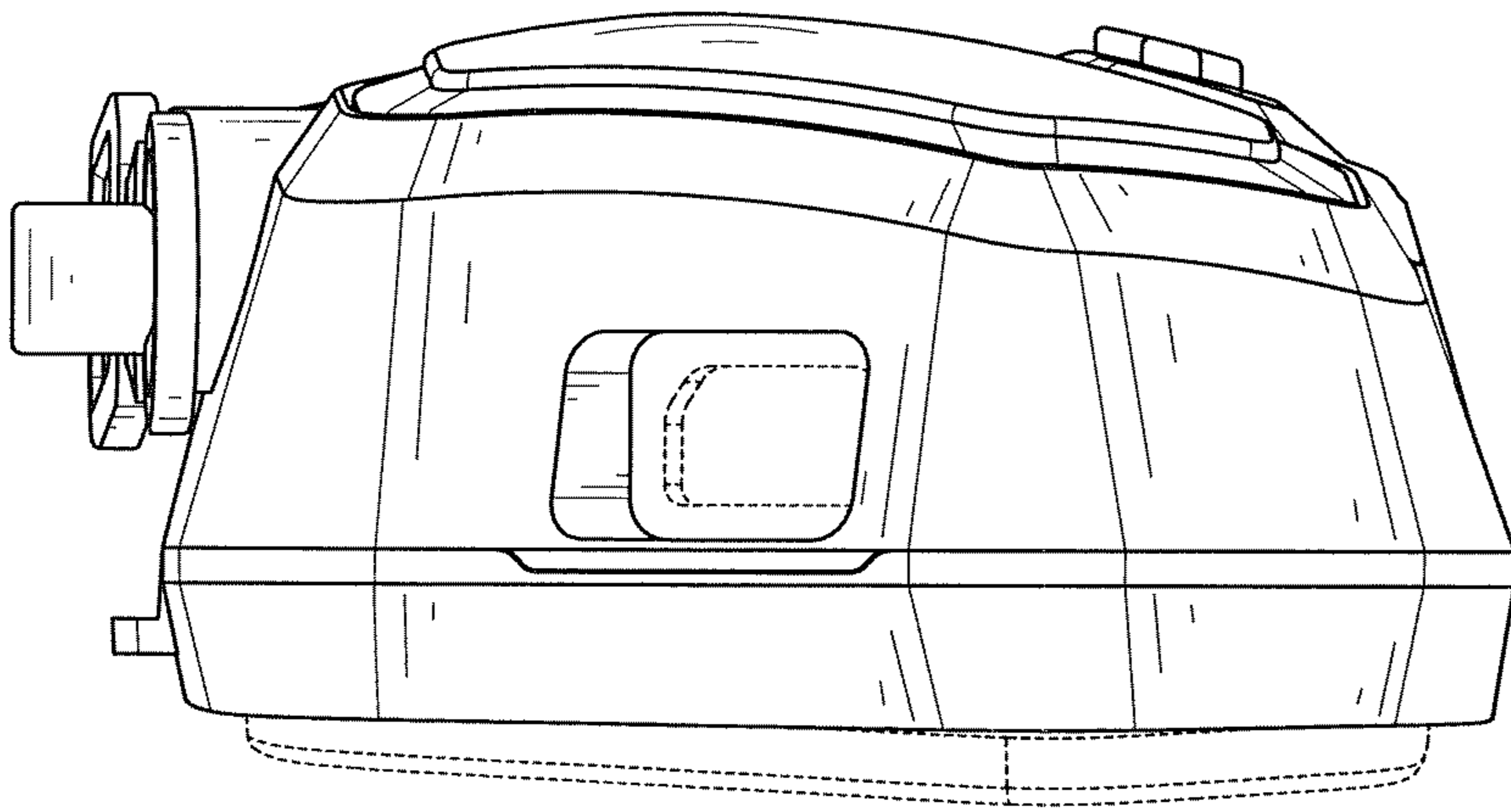


FIG. 5

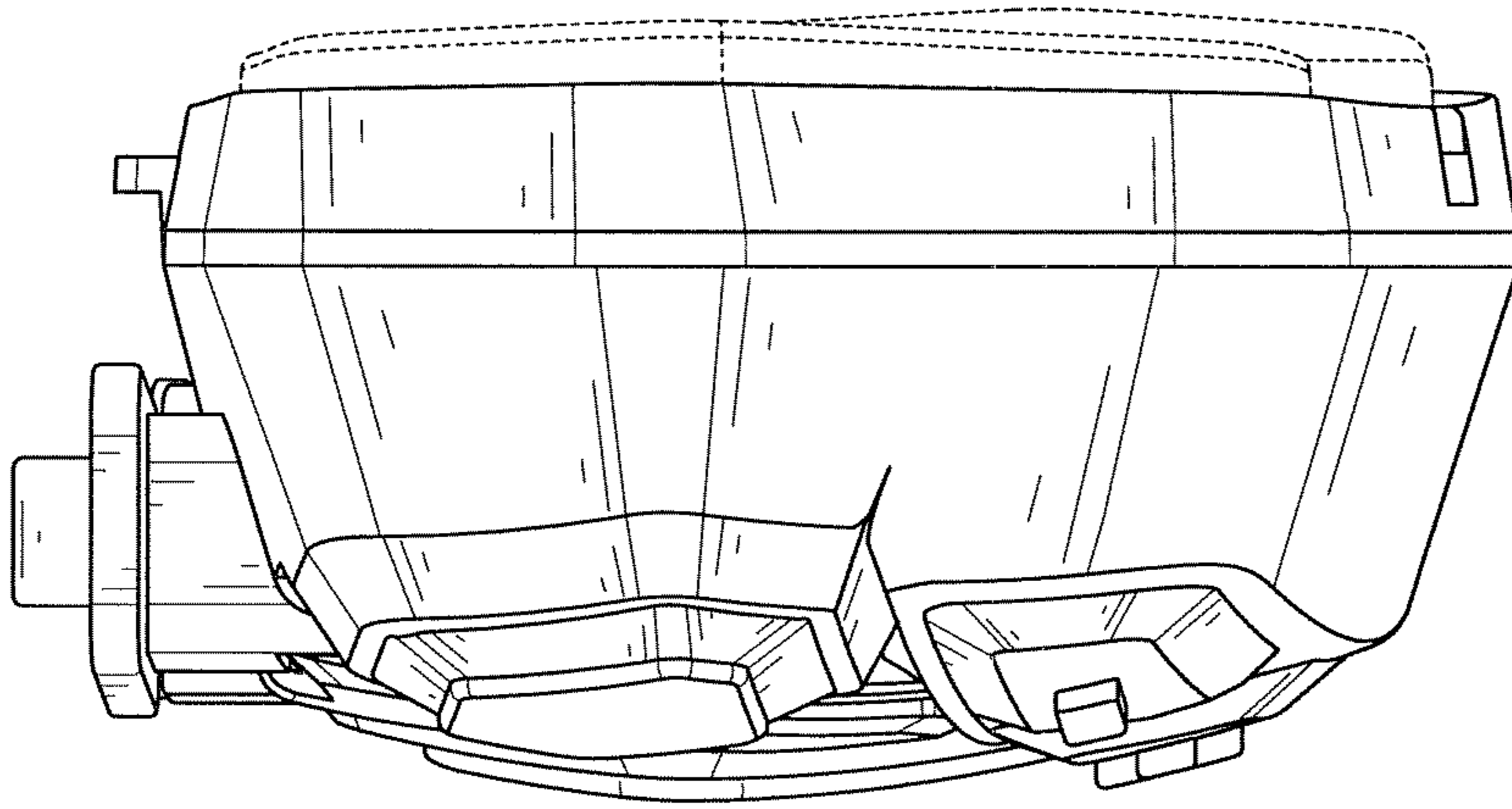


FIG. 6

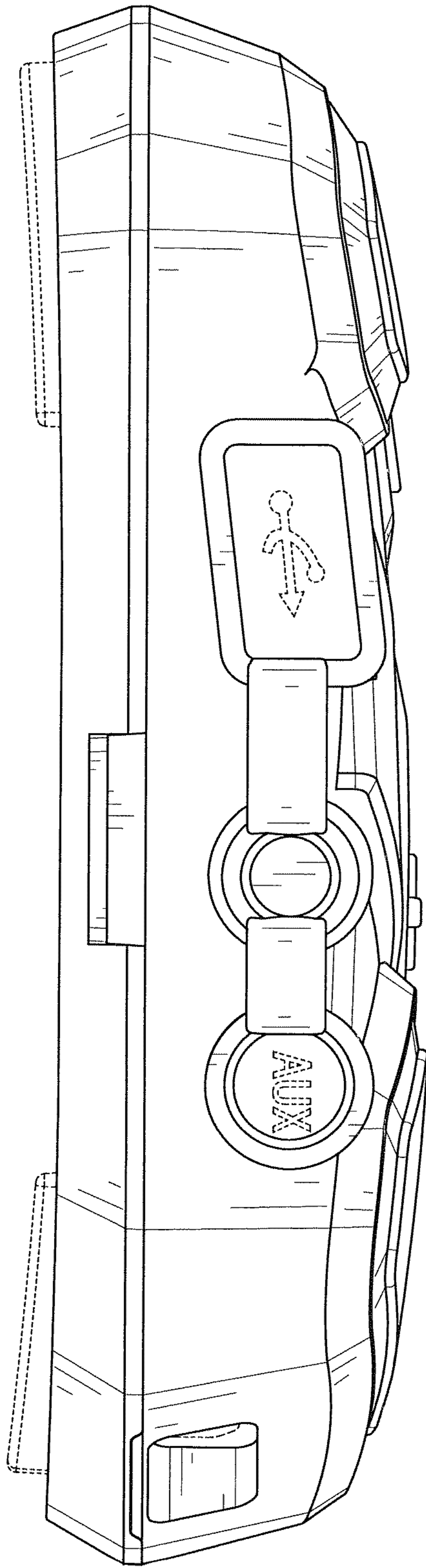


FIG. 7



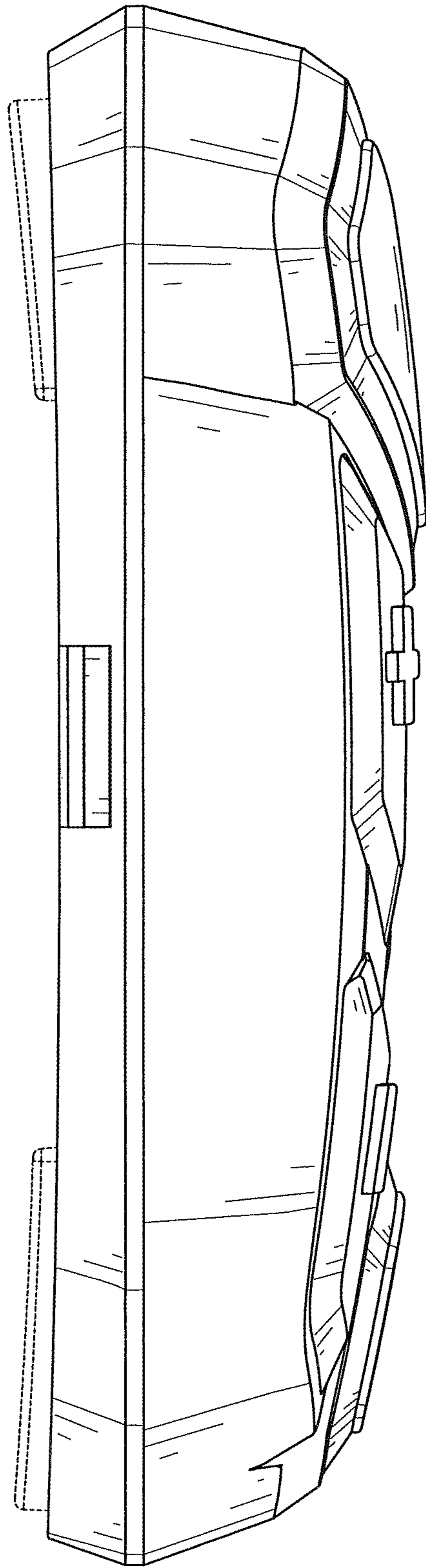


FIG. 8