



US00D898708S

(12) **United States Design Patent**
Carr

(10) **Patent No.:** **US D898,708 S**

(45) **Date of Patent:** **** Oct. 13, 2020**

- (54) **COMMUNICATIONS HEADSET**
- (71) Applicant: **Plantronics, Inc.**, Santa Cruz, CA (US)
- (72) Inventor: **Terry M Carr**, Santa Cruz, CA (US)
- (73) Assignee: **Plantronics, Inc.**, Santa Cruz, CA (US)
- (**) Term: **15 Years**
- (21) Appl. No.: **29/662,610**
- (22) Filed: **Sep. 6, 2018**
- (51) **LOC (12) Cl.** **14-01**
- (52) **U.S. Cl.**
USPC **D14/223**
- (58) **Field of Classification Search**
USPC ... D14/205, 207, 209.1, 217, 218, 221, 223,
D14/224, 224.1, 225; D24/173, 174, 106,
D24/105
CPC H04R 1/00; H04R 1/10; H04R 1/1016;
H04R 1/1066; H04R 1/105; H04R
1/1033; H04R 1/1083; H04R 1/1091;
H04R 5/033; H04R 5/0335; H04R 25/00
See application file for complete search history.

D868,727 S	*	12/2019	He	D14/205
D868,749 S	*	12/2019	Brunner	D14/223
D873,246 S	*	1/2020	Zhu	D14/223
D873,247 S	*	1/2020	Zhu	D14/223
D873,789 S	*	1/2020	Hu	D14/205
D875,710 S	*	2/2020	Bailey	D14/205

FOREIGN PATENT DOCUMENTS

CN	305385306	*	9/2018
JP	2012244514 A	*	12/2012

OTHER PUBLICATIONS

Backbeat Fit 350, announced © 2020 [online], retrieved Feb. 26, 2020, retrieved from internet, <https://www.plantronics.com/hk/en/product/backbeat-fit-350>.*

(Continued)

Primary Examiner — Barbara Fox
Assistant Examiner — Messina L Smith

(57) **CLAIM**

The ornamental design for a communications headset, as shown and described.

DESCRIPTION

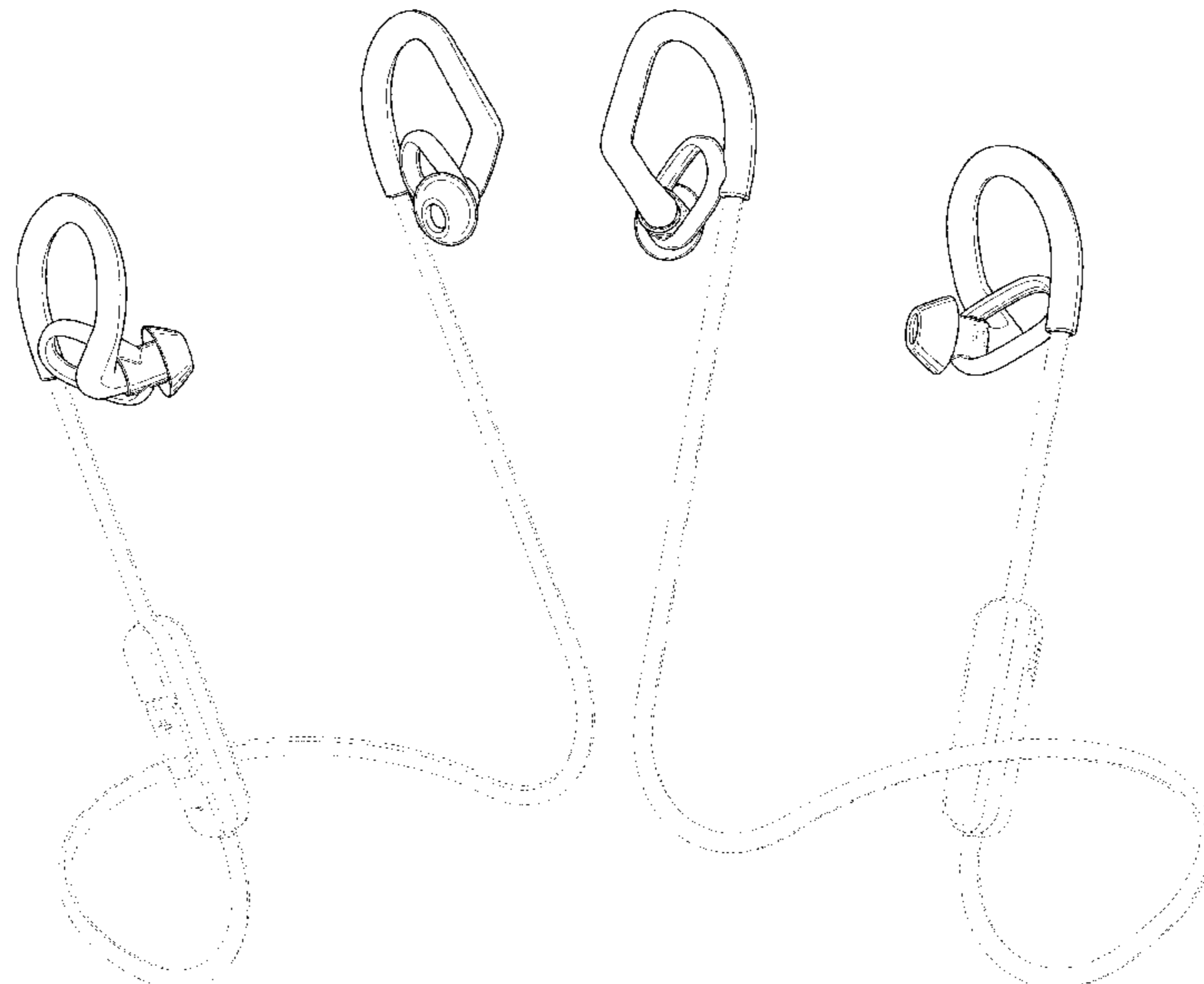
FIG. 1 is a front-left perspective view of a communications headset showing my new design;
FIG. 2 is a back-right perspective view thereof;
FIG. 3 is a front view thereof;
FIG. 4 is a back view thereof;
FIG. 5 is a left side view thereof;
FIG. 6 is a right side view thereof;
FIG. 7 is a top view thereof; and,
FIG. 8 is a bottom view thereof.
The broken lines shown in the drawings depict portions of the communications headset that form no part of the claimed design.

1 Claim, 8 Drawing Sheets

(56) **References Cited**

U.S. PATENT DOCUMENTS

D695,719 S	*	12/2013	Burgett	D14/223
D712,382 S	*	9/2014	Brunner	D14/223
D803,816 S	*	11/2017	Bolster	D14/223
D806,684 S	*	1/2018	Tsai	D14/223
D809,486 S	*	2/2018	Arimoto	D14/223
D821,364 S	*	6/2018	Brunner	D14/223
D838,692 S	*	1/2019	Fu	D14/223
D844,588 S	*	4/2019	Brunner	D14/223
D853,360 S	*	7/2019	Kawabata	D14/223
D856,302 S	*	8/2019	Ma	D14/205
D858,482 S	*	9/2019	Ma	D14/205
D863,265 S	*	10/2019	Hu	D14/223
D864,153 S	*	10/2019	Hu	D14/205
D866,507 S	*	11/2019	Yan	D14/205



(56)

References Cited

OTHER PUBLICATIONS

Plantronics BackBeat Fit 350, announced Sep. 15, 2018 [online],
retrieved Feb. 26, 2020, retrieved from internet, https://www.amazon.in/dp/B07G4ST8YD/ref=psdc_1388921031_t3_B07G46Q8GR.
* Carr, "Communications Headset or Headphone," Design U.S. Appl.
No. 29/614,975, filed Aug. 24, 2017 (12 pages).

* cited by examiner

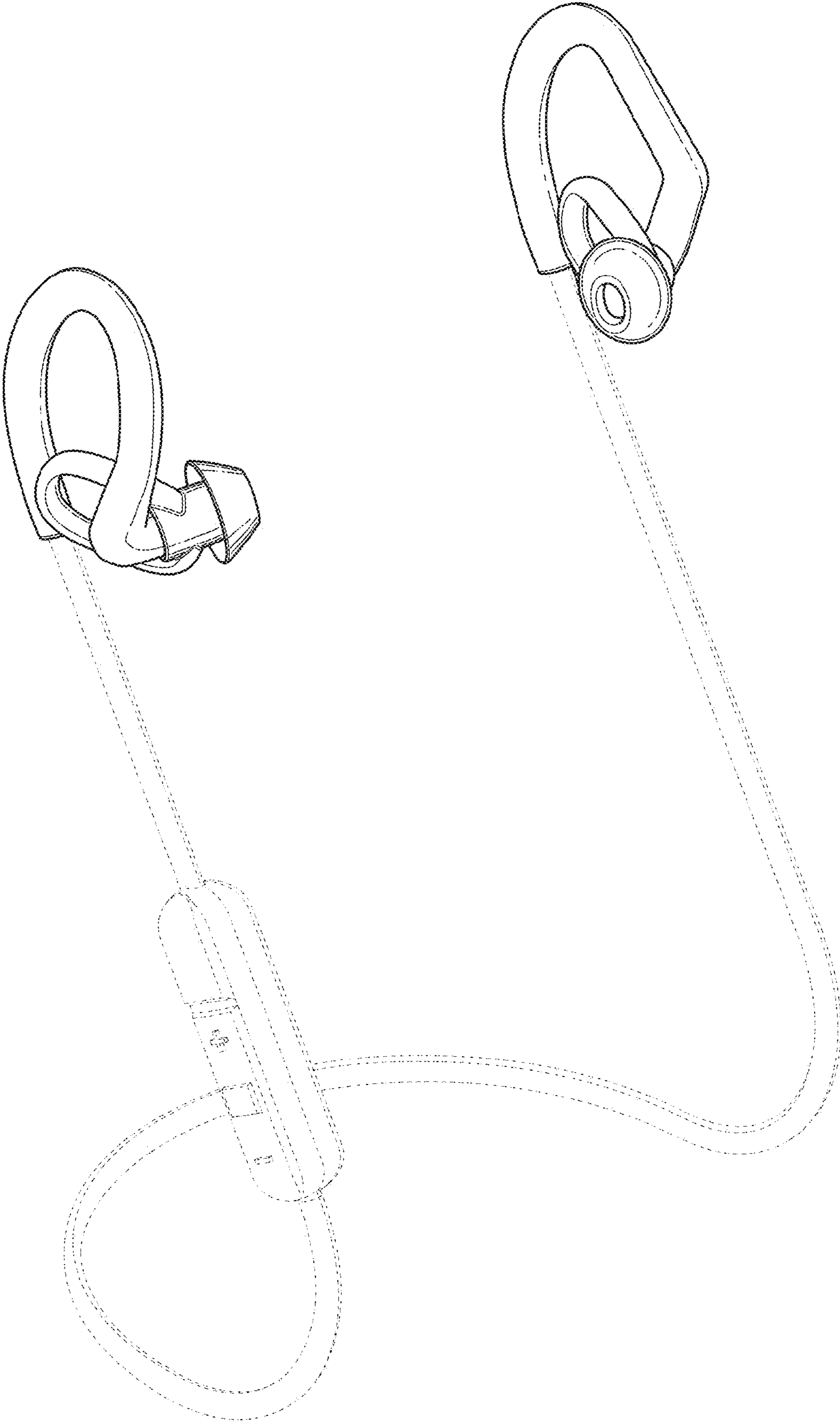


FIG. 1

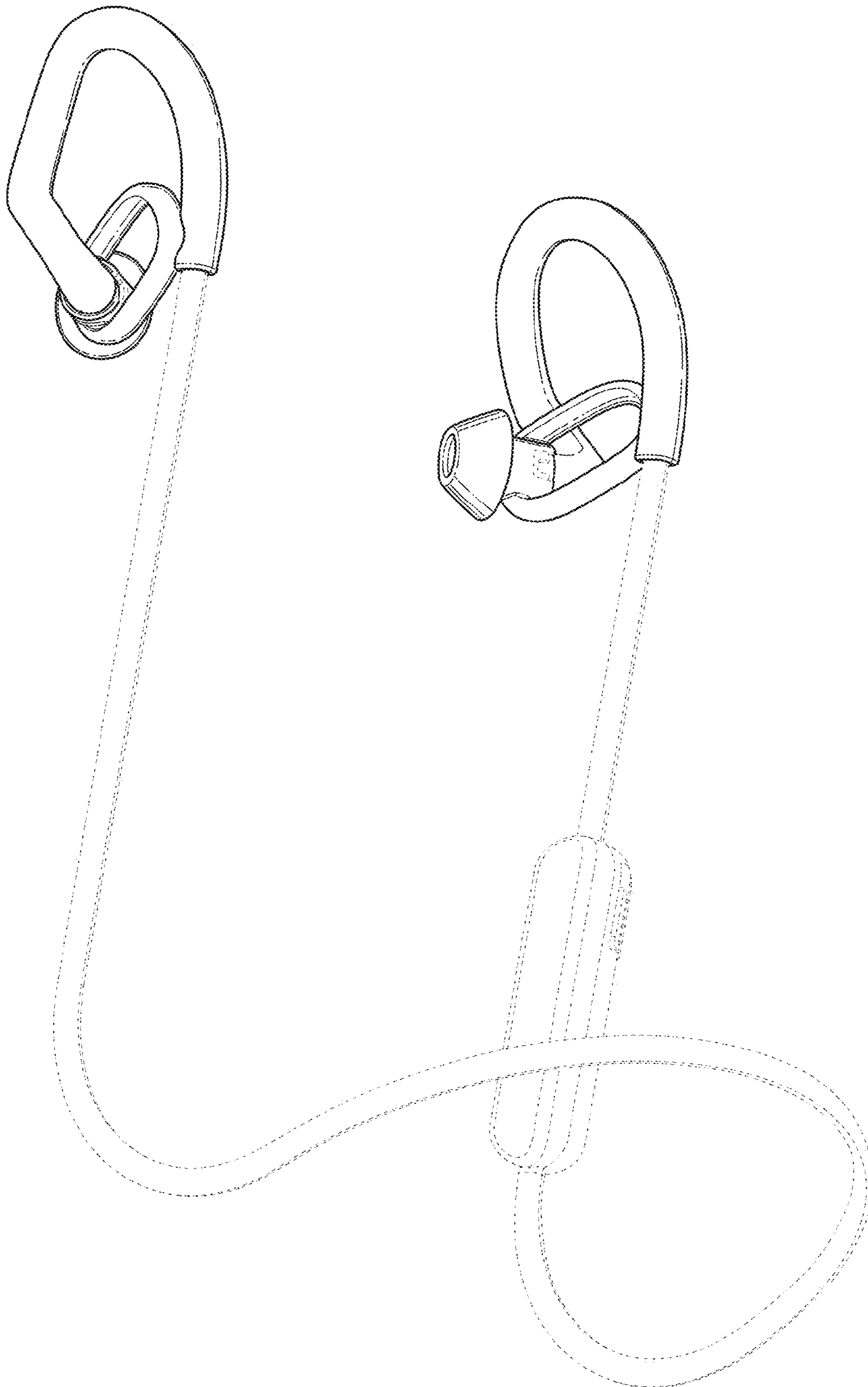


FIG. 2

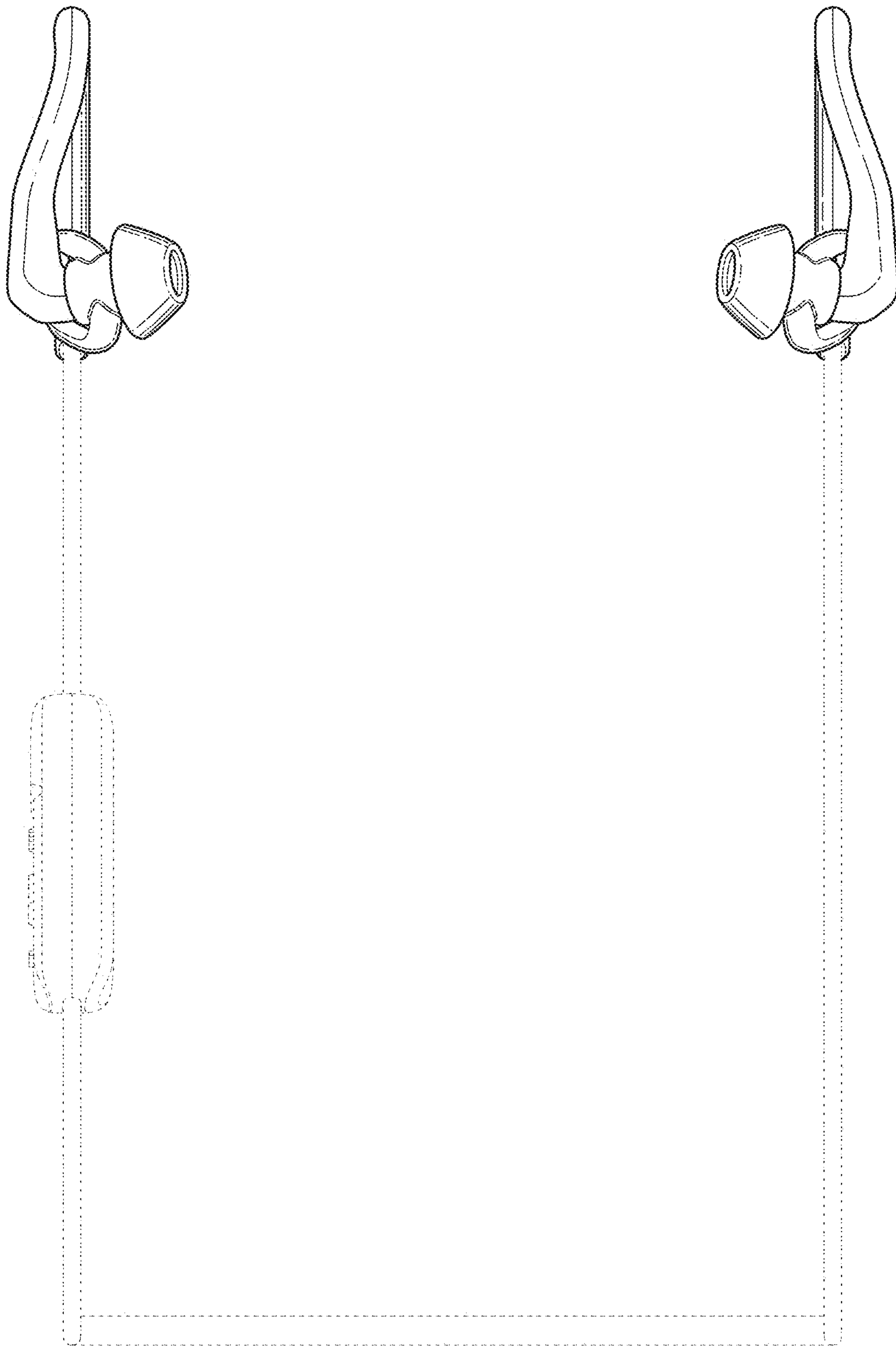


FIG. 3

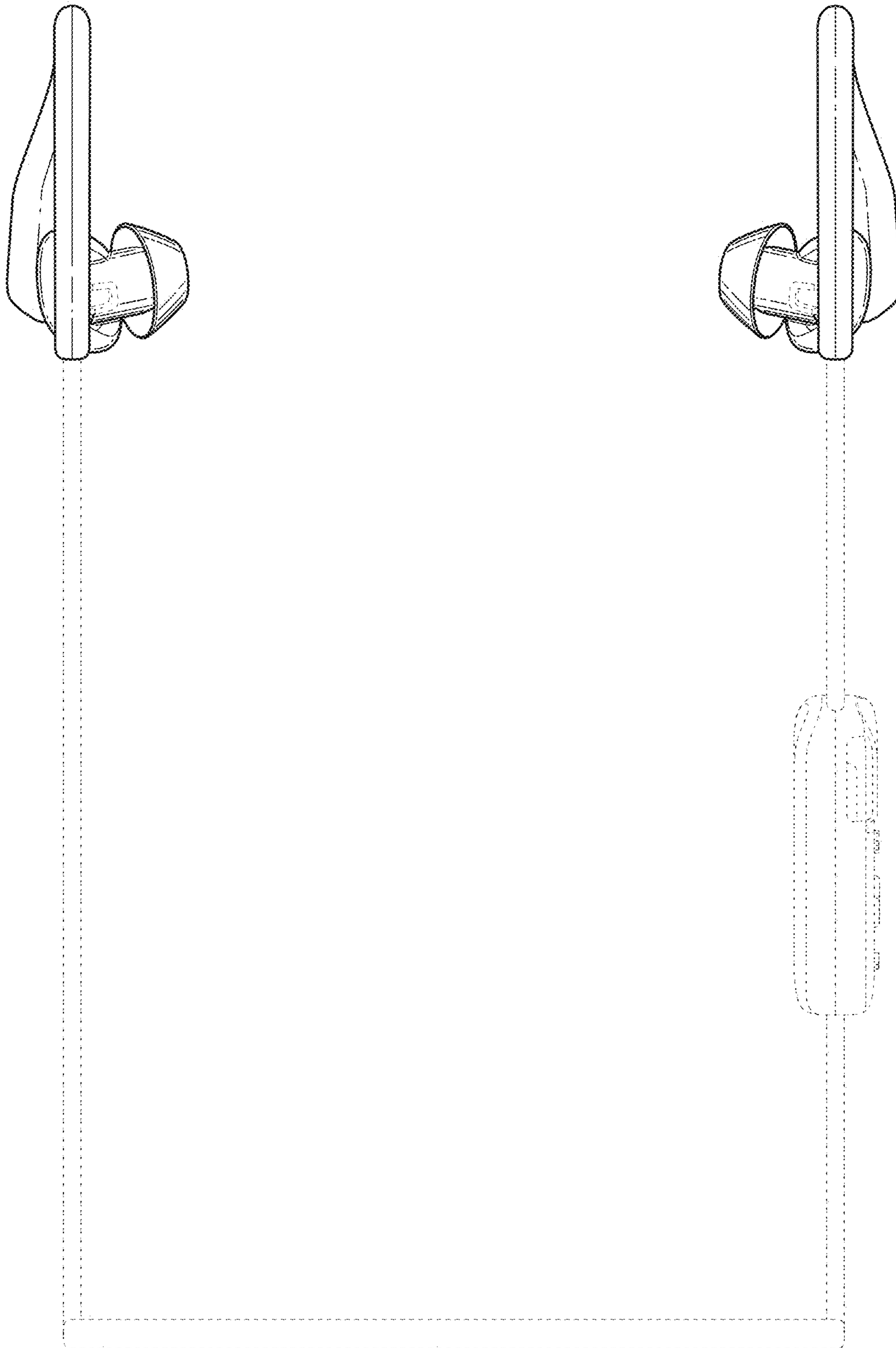


FIG. 4

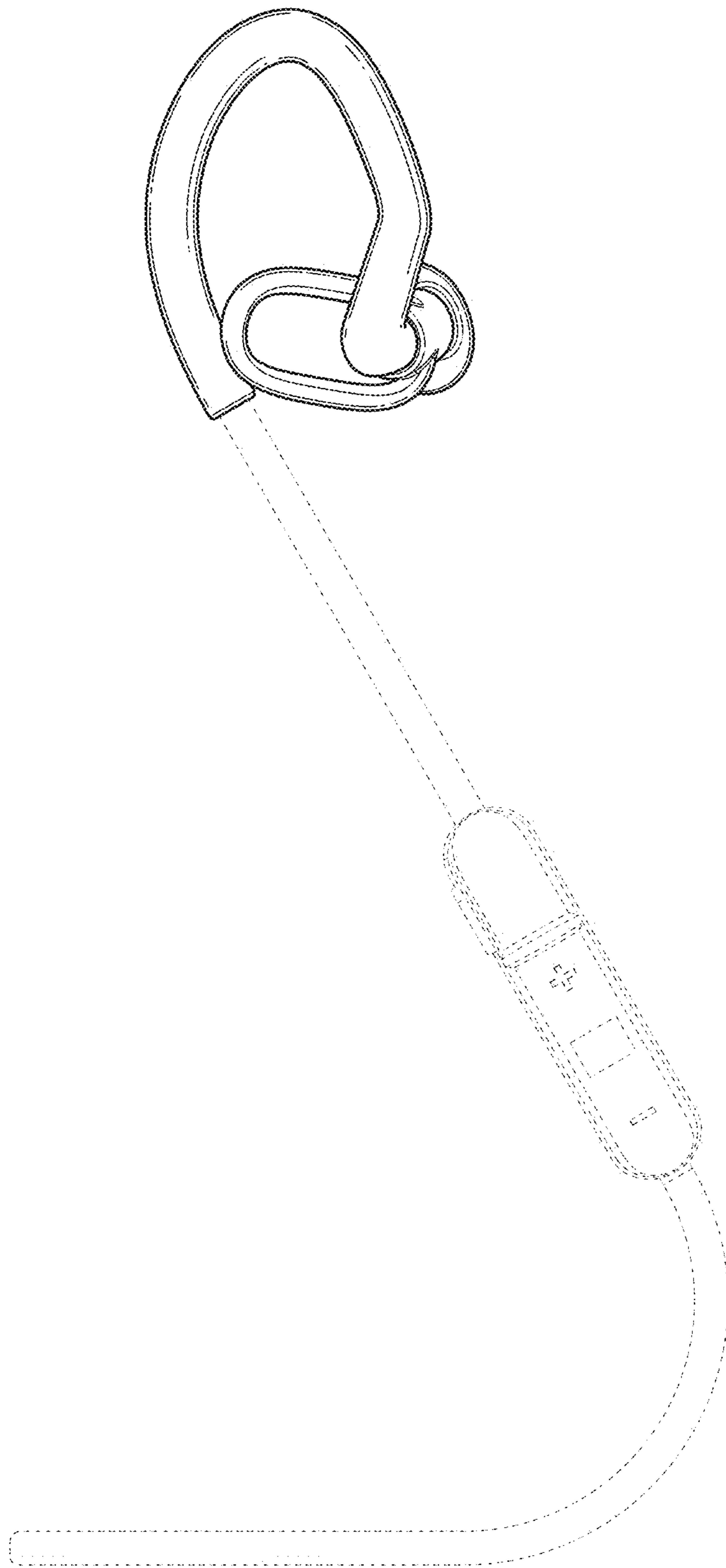


FIG. 5

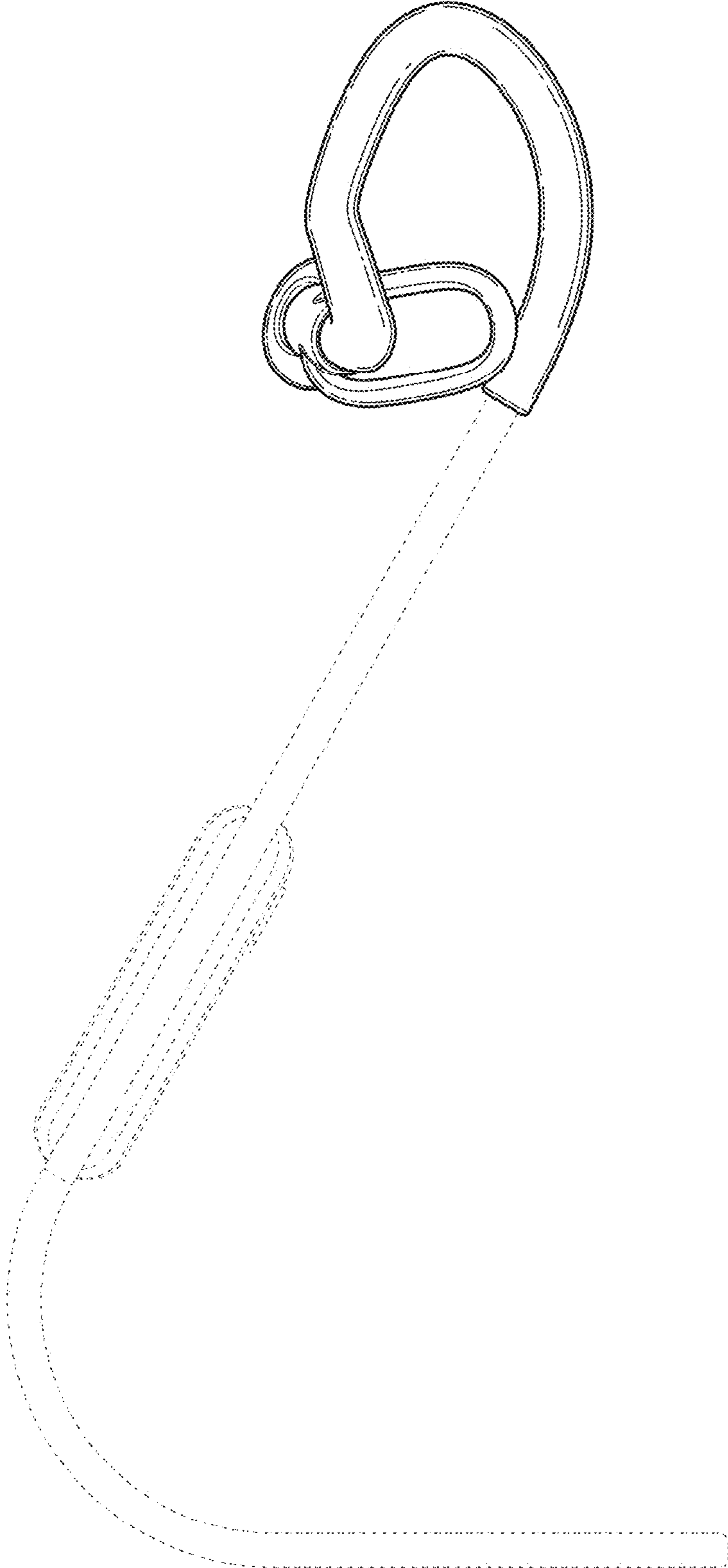


FIG. 6

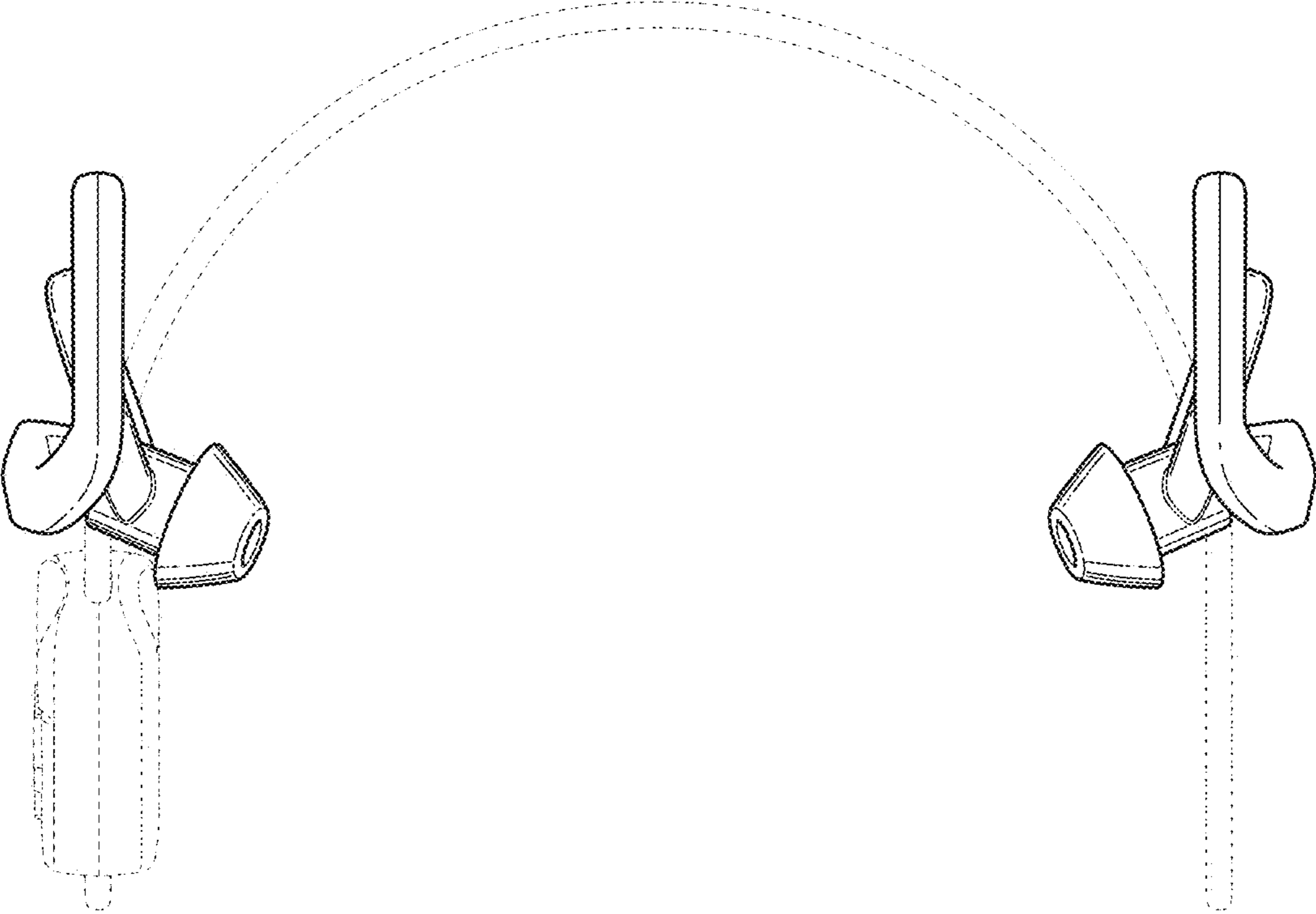


FIG. 7

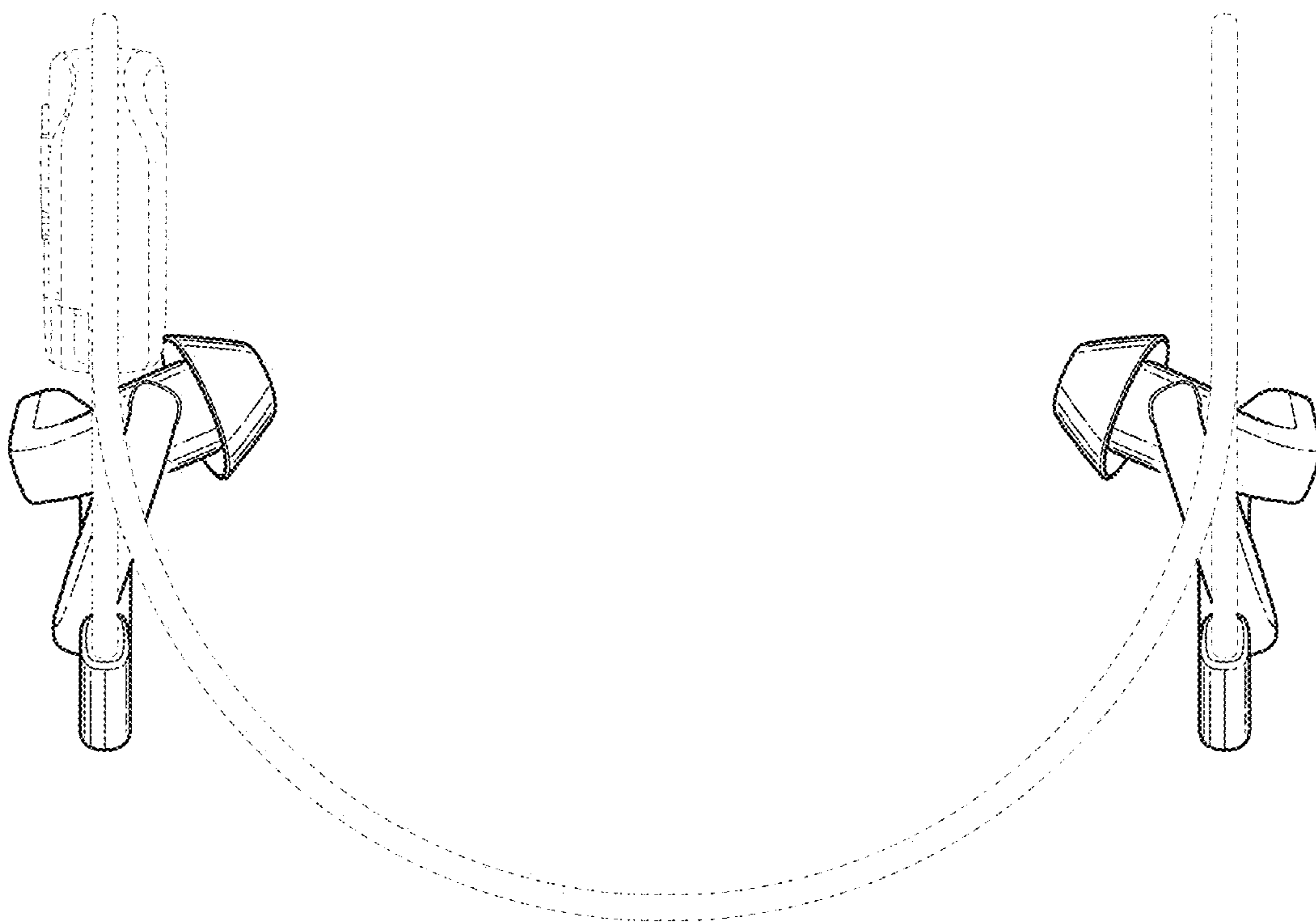


FIG. 8