



(12) **United States Design Patent** (10) **Patent No.:** **US D898,707 S**  
**Burkhardt et al.** (45) **Date of Patent:** **\*\* \*Oct. 13, 2020**

(54) **SPEAKER BAFFLE**

(71) Applicants: **Jeremy Burkhardt**, Las Vegas, NV (US); **Joseph Whitaker**, Las Vegas, NV (US)

(72) Inventors: **Jeremy Burkhardt**, Las Vegas, NV (US); **Joseph Whitaker**, Las Vegas, NV (US)

(\*) Notice: This patent is subject to a terminal disclaimer.

(\*\*) Term: **15 Years**

(21) Appl. No.: **29/659,414**

(22) Filed: **Aug. 8, 2018**

(51) **LOC (12) Cl.** ..... **14-01**

(52) **U.S. Cl.**  
USPC ..... **D14/221**

(58) **Field of Classification Search**  
USPC ... D14/204, 209, 209.1, 210, 211, 217, 221, D14/222, 224, 137, 229, 251, 168, 149, D14/253, 466  
CPC ..... G10G 5/00; H04R 1/1091; H04R 1/1075; F16M 11/22; A47F 2007/0085; A47F 7/146; A47F 7/00; A47F 7/0028; A47F 7/0035; A47F 7/0042; A47F 5/04; A47F 5/05; B65D 85/42; A47G 25/00; A47G 25/10; A47J 47/16

See application file for complete search history.

(56) **References Cited**

**U.S. PATENT DOCUMENTS**

2,982,372 A \* 5/1961 Lowell ..... H04R 1/021  
181/155  
D256,915 S 9/1980 Needleman  
D340,718 S 10/1993 Leger et al.  
D691,598 S \* 10/2013 Fuller ..... D14/224  
D725,083 S \* 3/2015 Lau ..... D14/224  
D729,211 S \* 5/2015 Huang ..... D14/222  
9,591,390 B2 3/2017 Humphreys et al.  
D803,748 S \* 11/2017 English ..... D12/209

(Continued)

**FOREIGN PATENT DOCUMENTS**

EP 1780083 A1 \* 5/2007 ..... B60R 11/0223

*Primary Examiner* — Barbara Fox

*Assistant Examiner* — Messina L Smith

(74) *Attorney, Agent, or Firm* — Kirk A. Buhler; Buhler & Associates Patenting

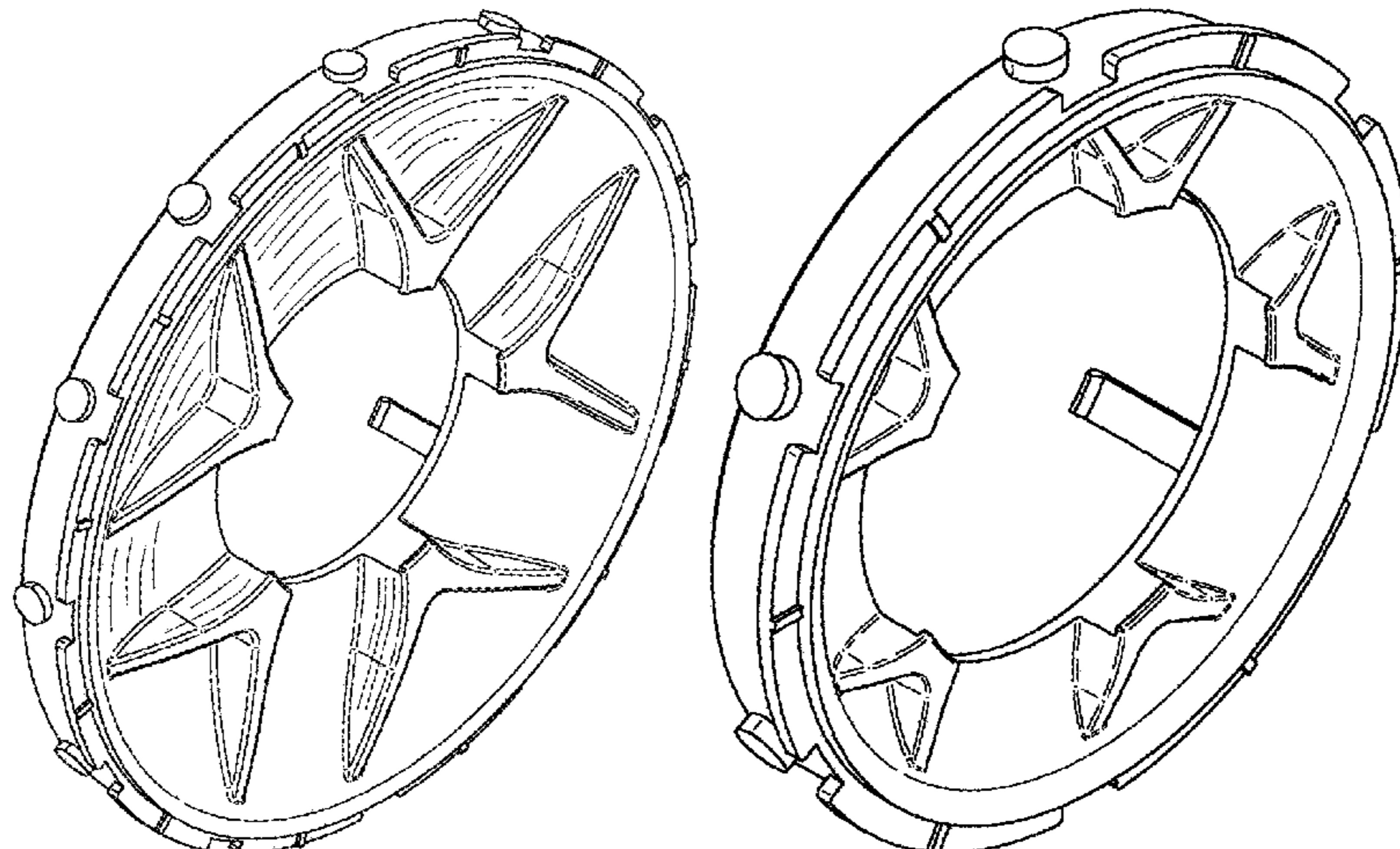
(57) **CLAIM**

The ornamental design for an speaker baffle, as shown and described.

**DESCRIPTION**

FIG. 1 is a front perspective view of a speaker baffle showing the new design in a first embodiment; FIG. 2 is a rear elevation view thereof; FIG. 3 is a left side elevation view thereof; FIG. 4 is a right-side elevation view thereof; FIG. 5 is a top plan view thereof; FIG. 6 is a front elevation view thereof; FIG. 7 is a rear perspective view thereof; FIG. 8 is a front perspective view thereof, shown in an environment of use; FIG. 9 is a front perspective view of the speaker baffle showing the new design in a second embodiment; FIG. 10 is a rear elevation view thereof; FIG. 11 is a left side elevation view; FIG. 12 is a right-side elevation view thereof; FIG. 13 is a top plan view thereof, the bottom plan view being a mirror image thereof; FIG. 14 is a front elevation view thereof; FIG. 15 is a rear perspective view thereof; and, FIG. 16 is a front perspective view thereof, shown in an environment of use. The broken lines showing an audio device in FIGS. 8 and 16 depict environmental subject matter that forms no part of the claimed design.

**1 Claim, 12 Drawing Sheets**



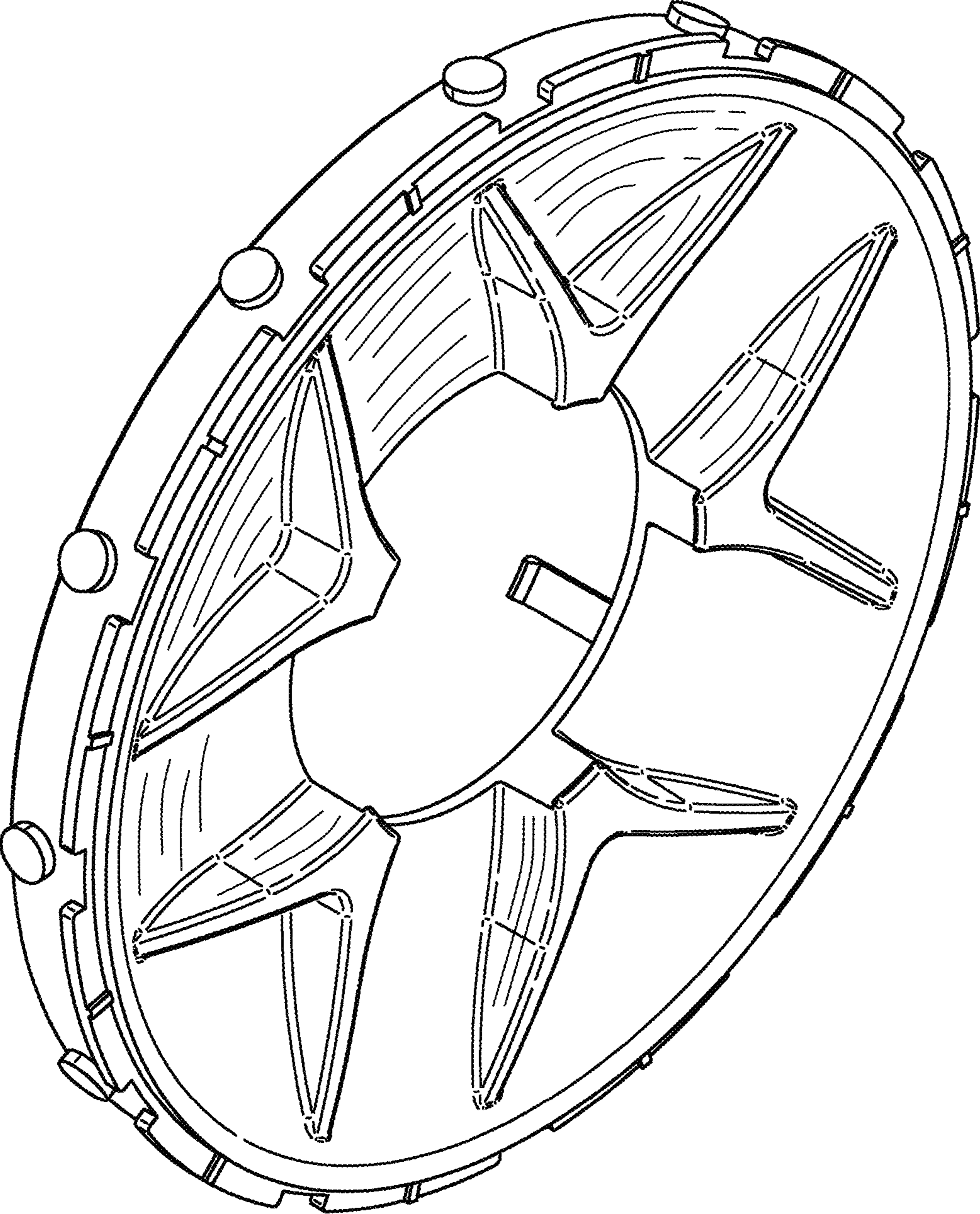
(56)

**References Cited**

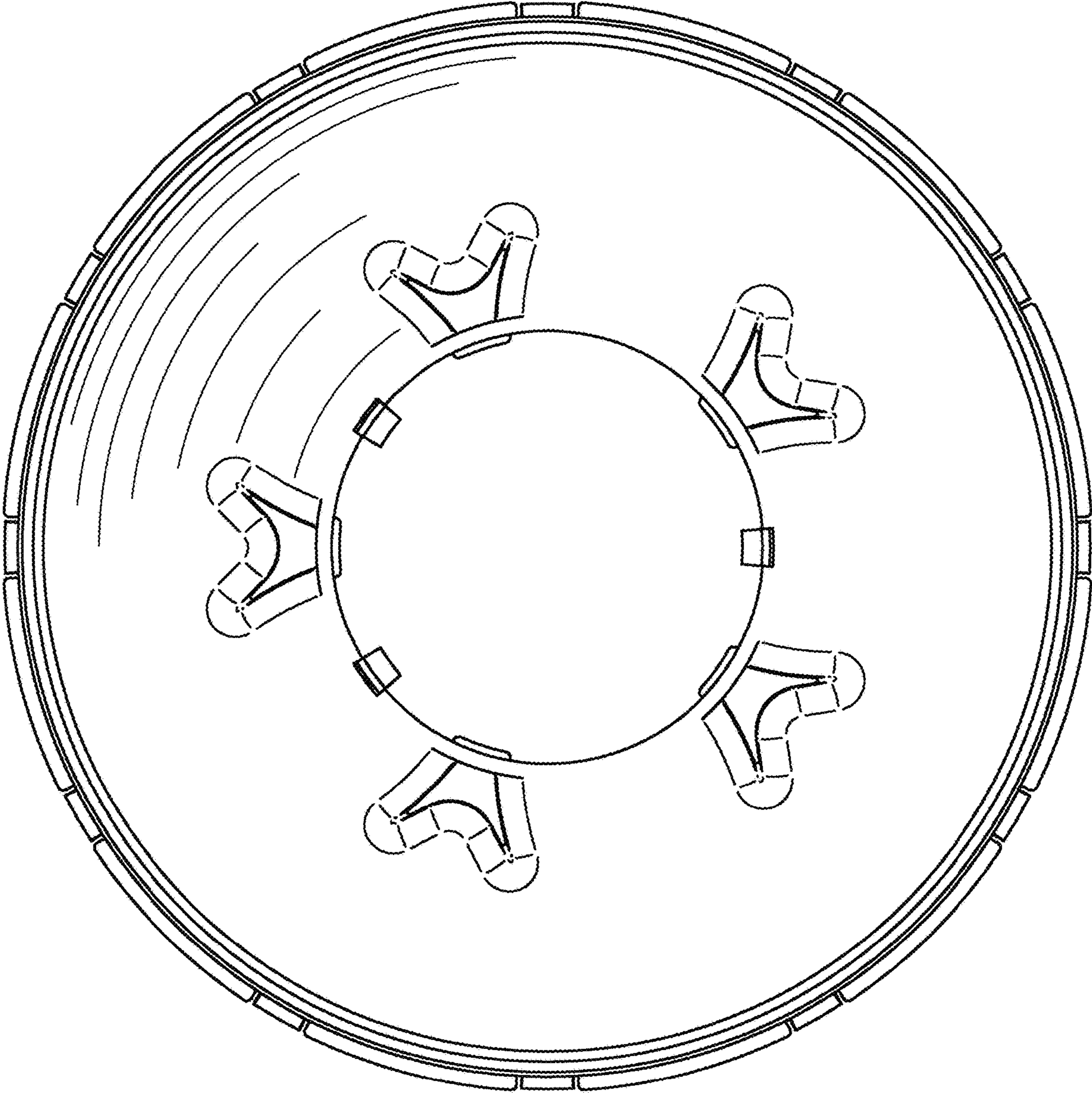
U.S. PATENT DOCUMENTS

D804,453	S	*	12/2017	Katsuno	.....	D14/222
D832,239	S	*	10/2018	Warden	.....	D14/222
D839,235	S	*	1/2019	Kitamura	.....	D14/204
D848,402	S	*	5/2019	Kurihara	.....	D14/224
D852,169	S	*	6/2019	Chen	.....	D14/217
D853,296	S	*	7/2019	Douglas	.....	D12/209
2018/0070159	A1	*	3/2018	Pieklik	.....	H04R 1/028
2018/0206014	A1	*	7/2018	Foster	.....	H04R 1/025

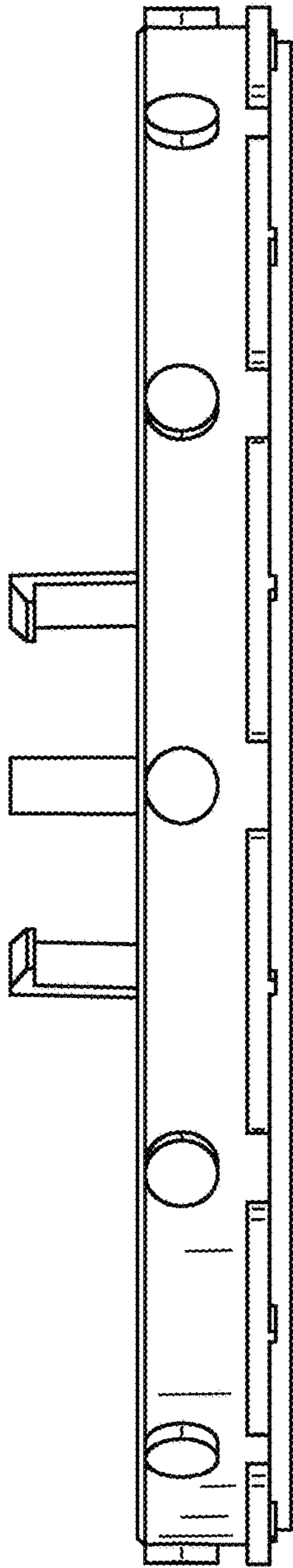
\* cited by examiner



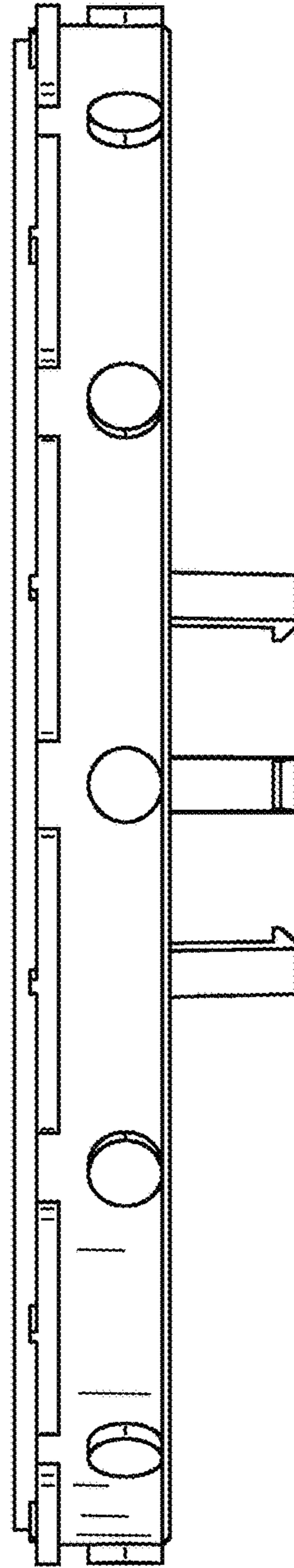
**FIG. 1**



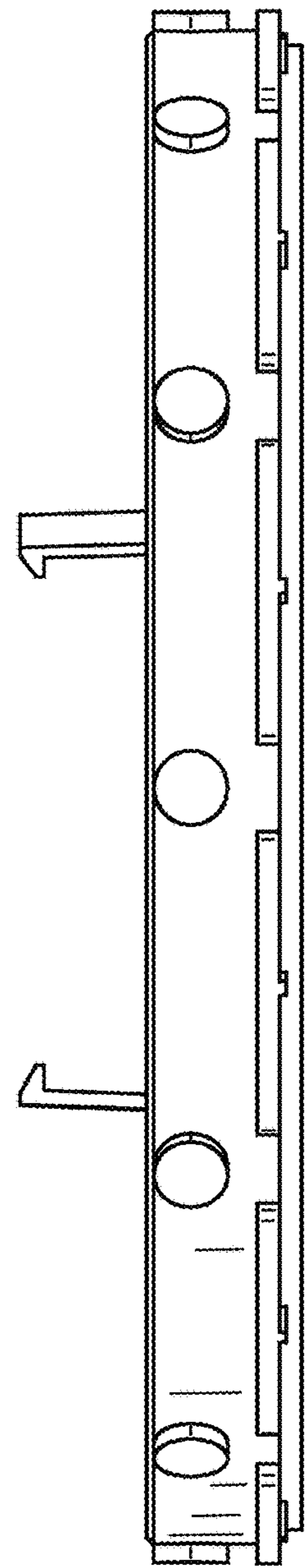
**FIG. 2**



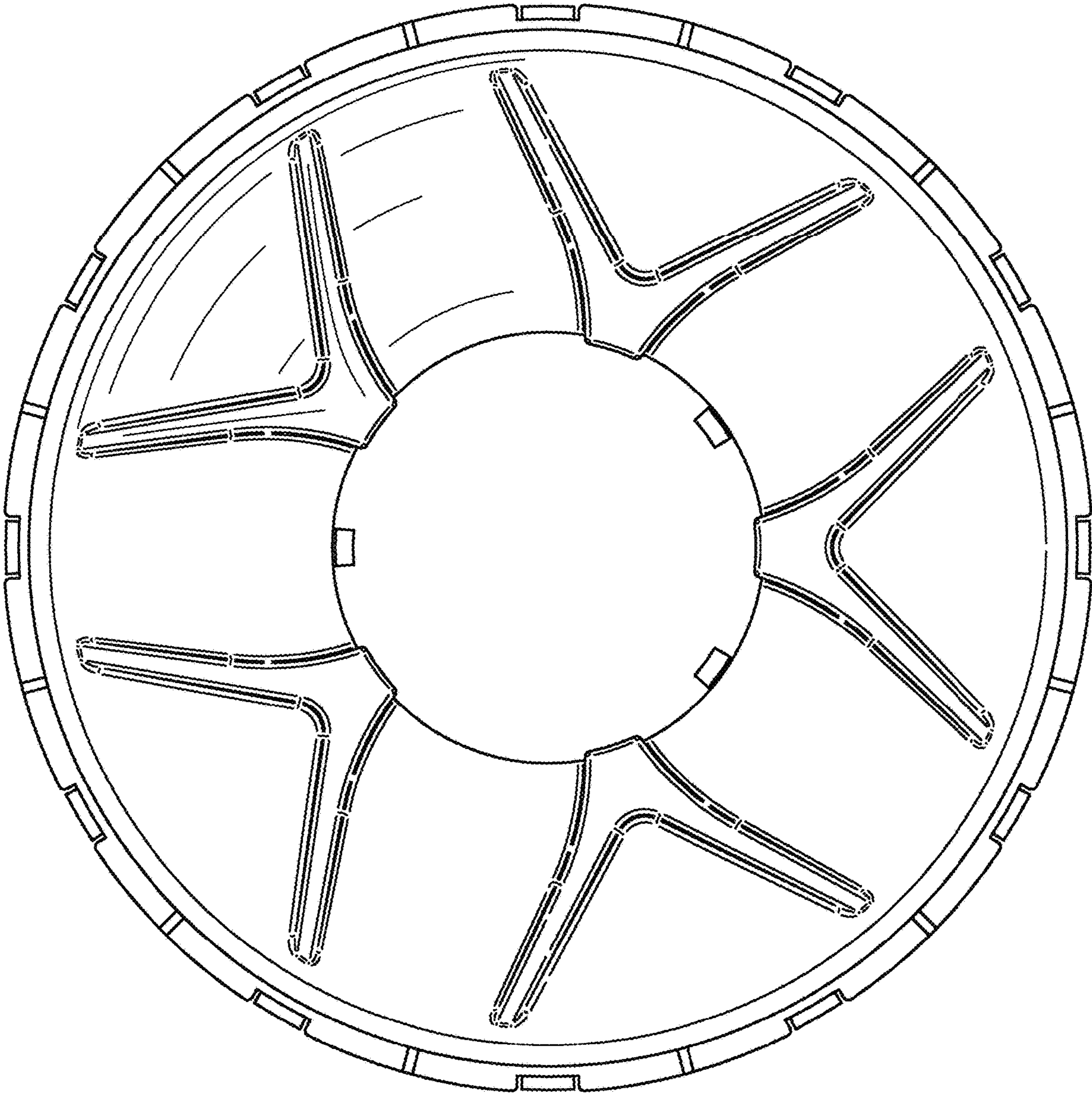
**FIG. 3**



**FIG. 4**



**FIG. 5**



**FIG. 6**

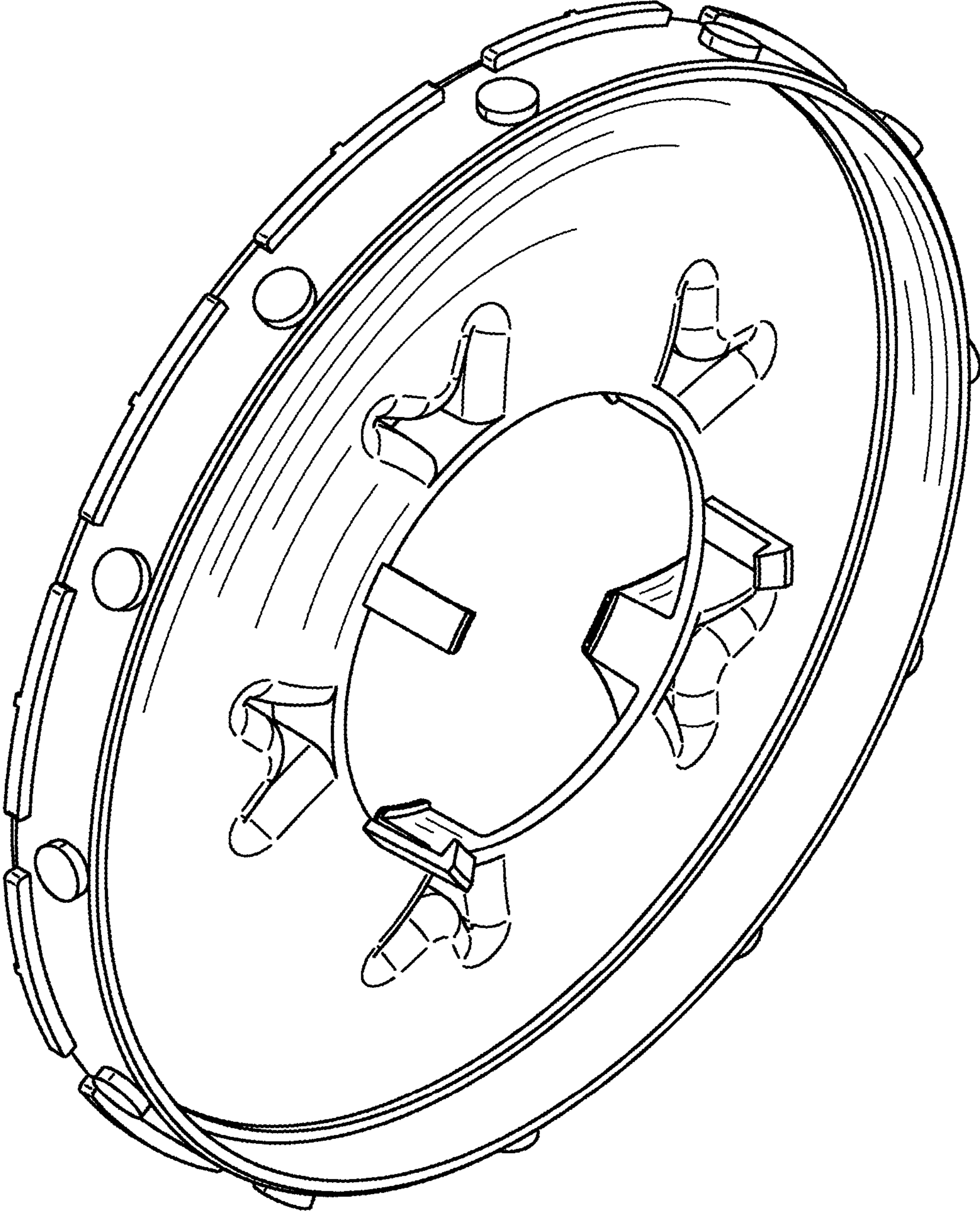
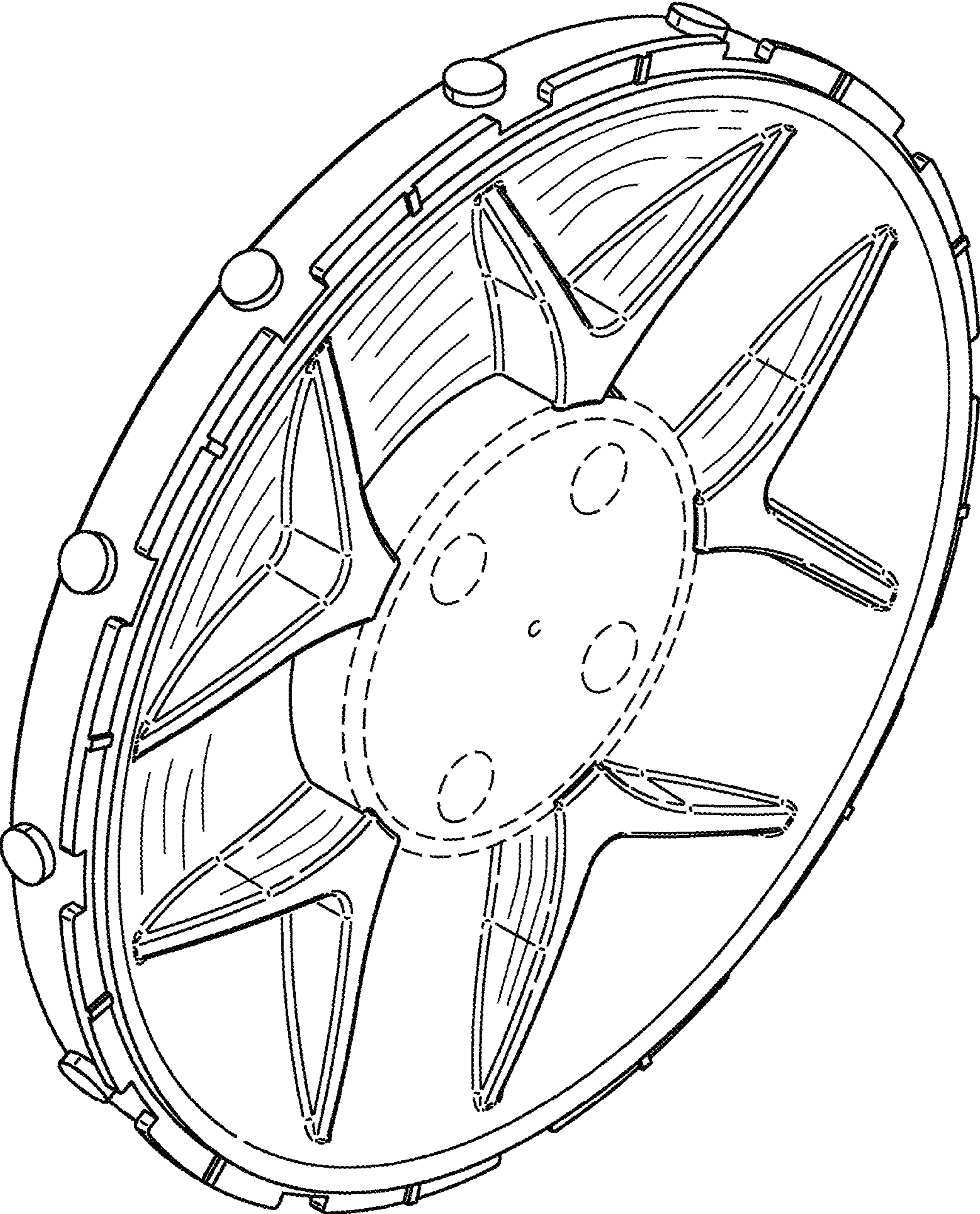
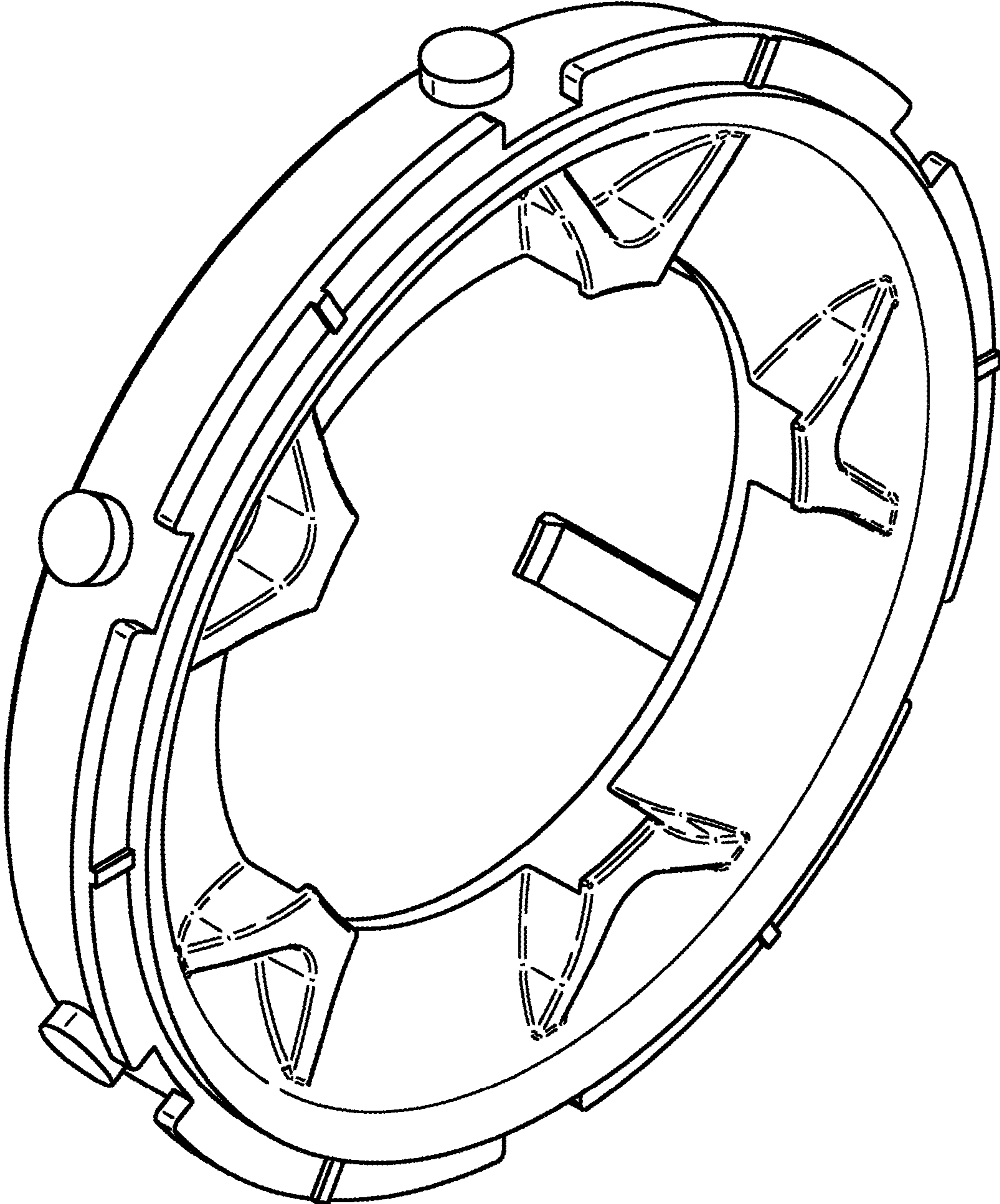


FIG. 7

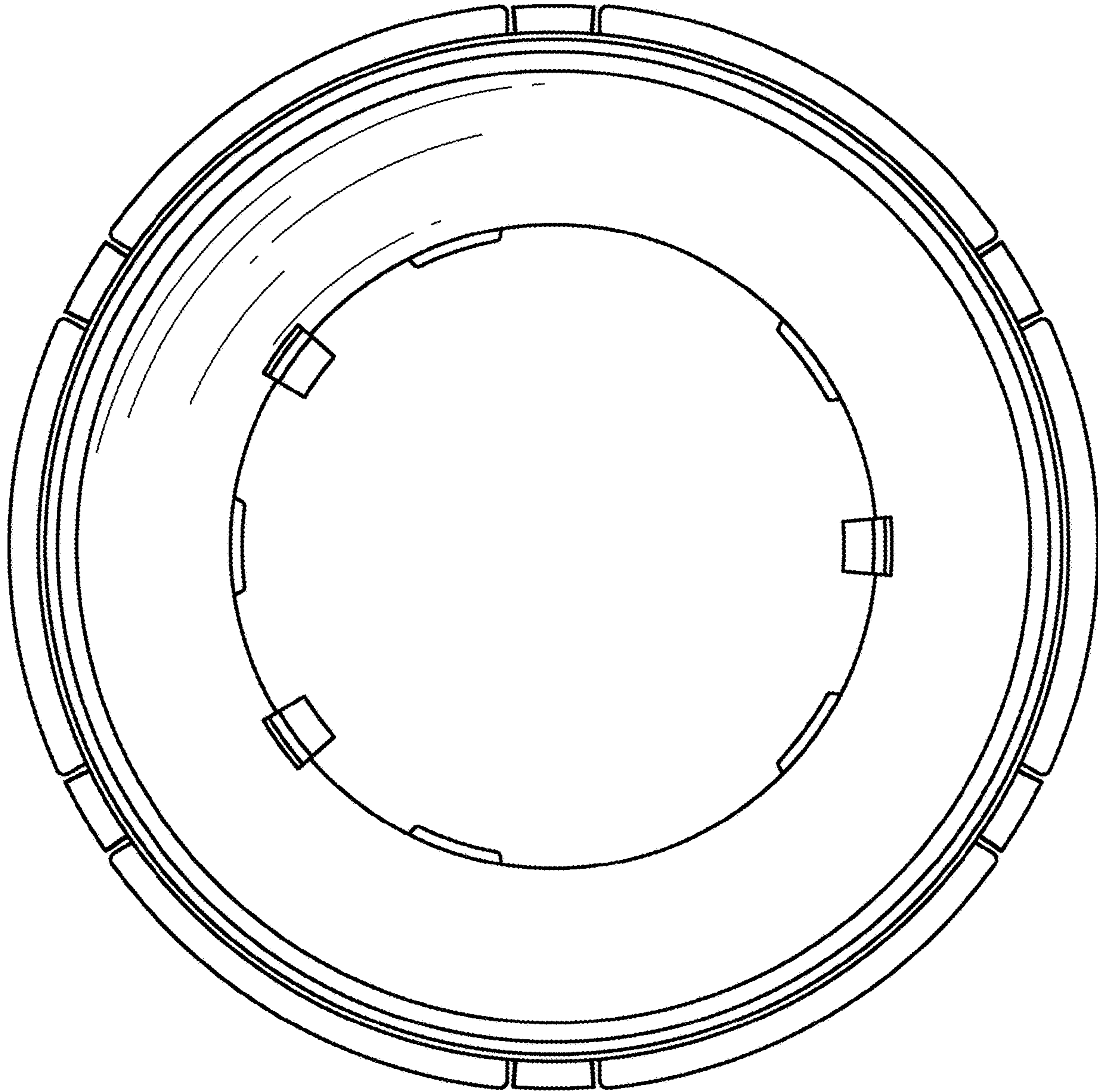


**FIG. 8**





**FIG. 9**



**FIG. 10**

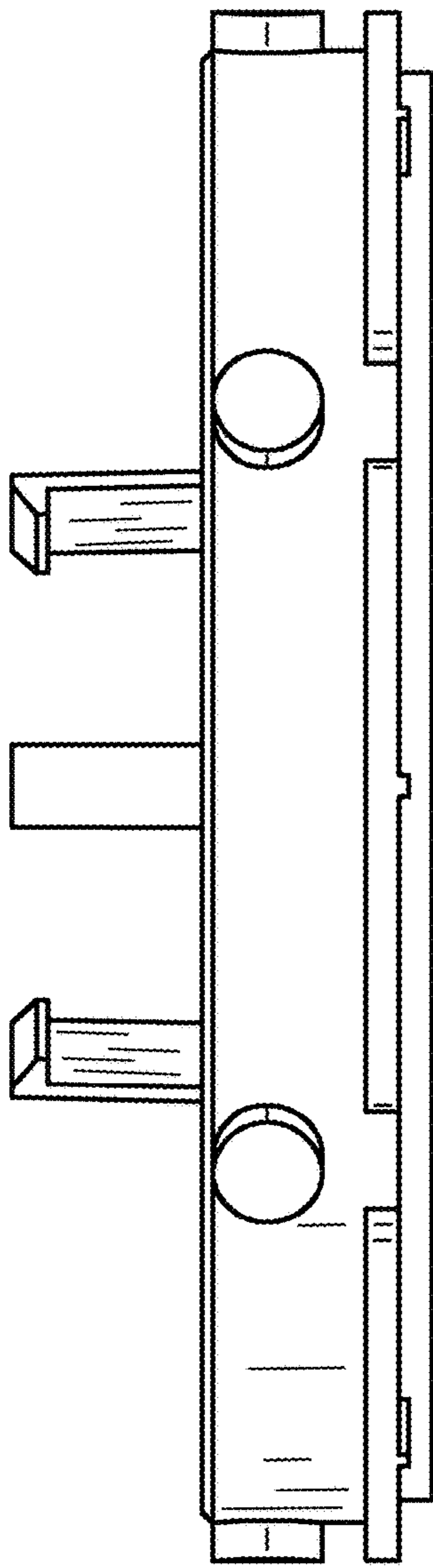


FIG. 11

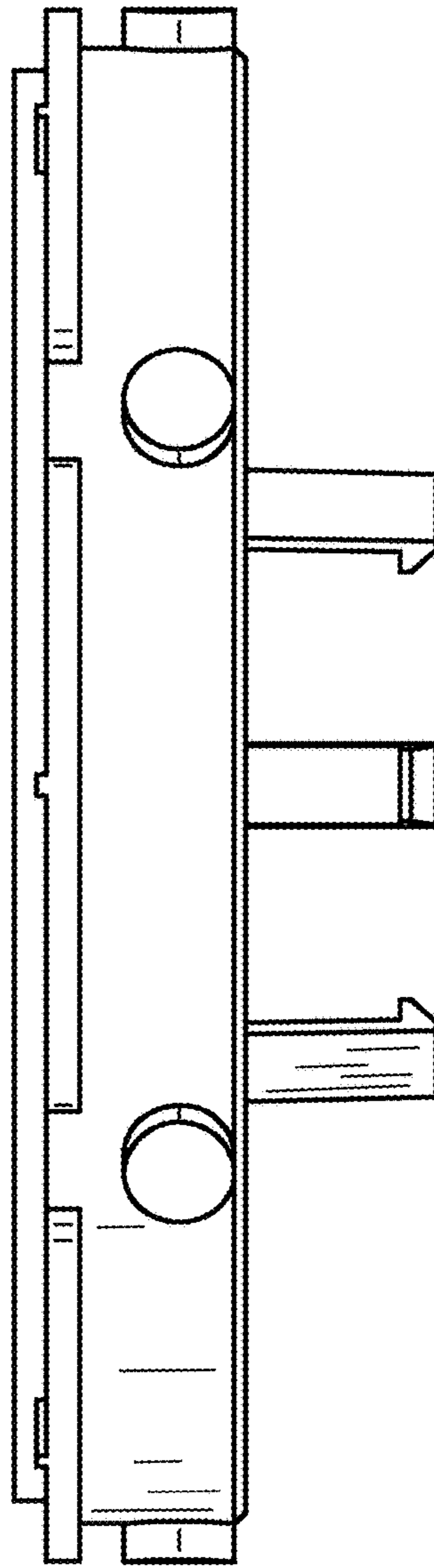


FIG. 12

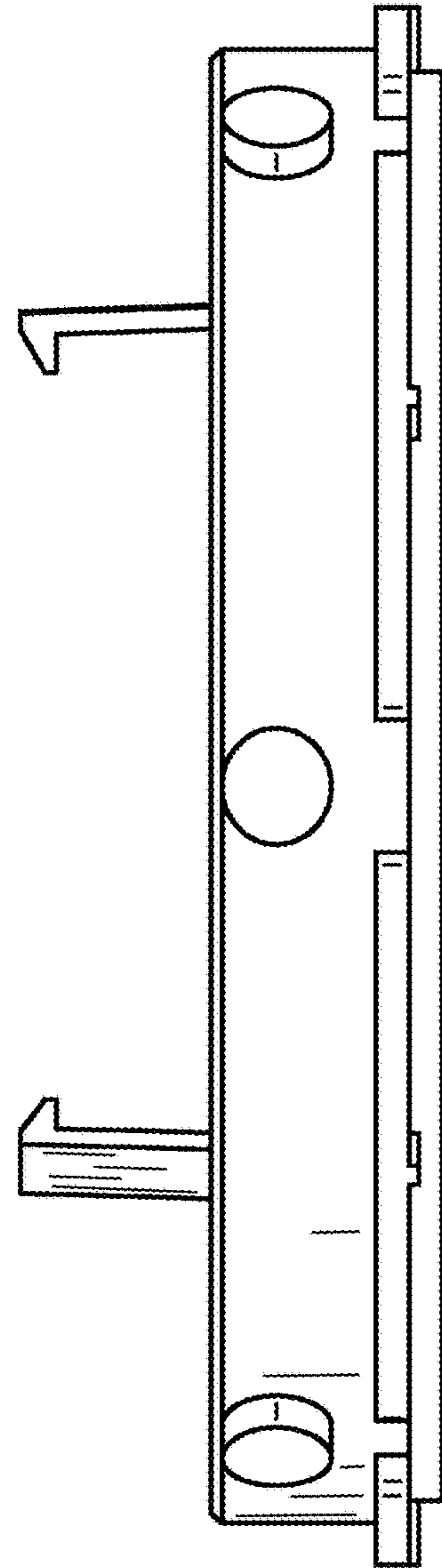


FIG. 13

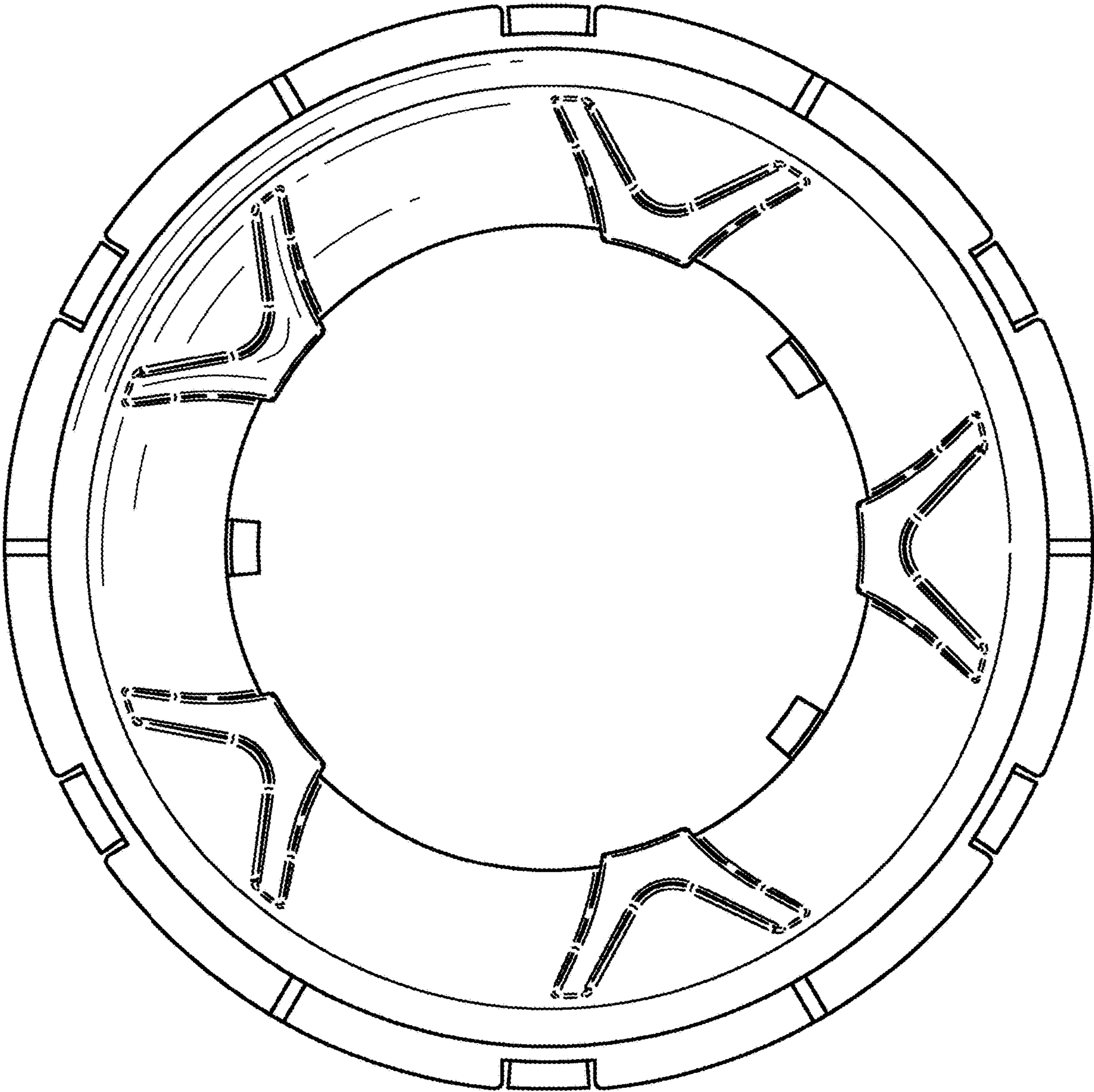
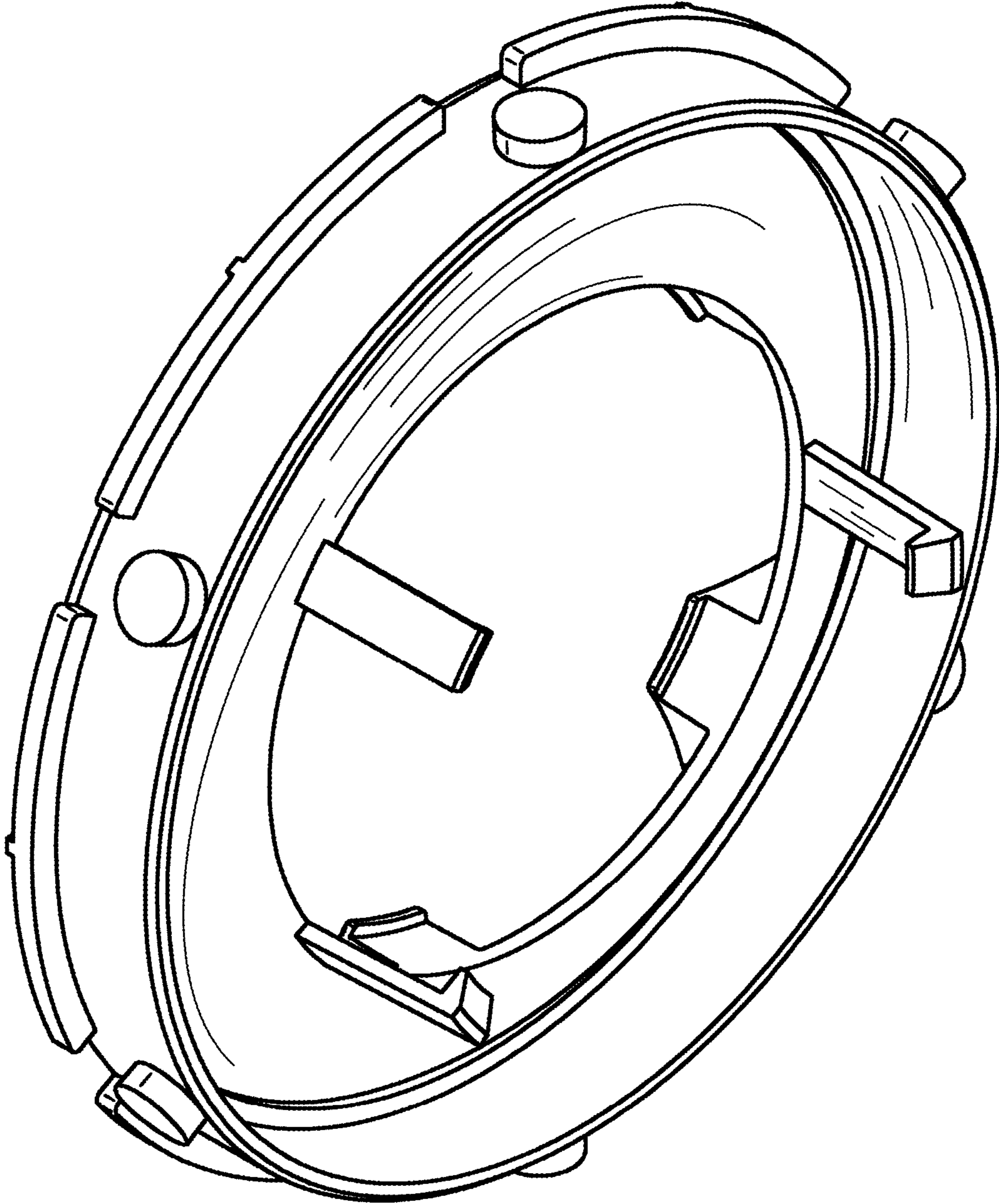


FIG. 14



**FIG. 15**

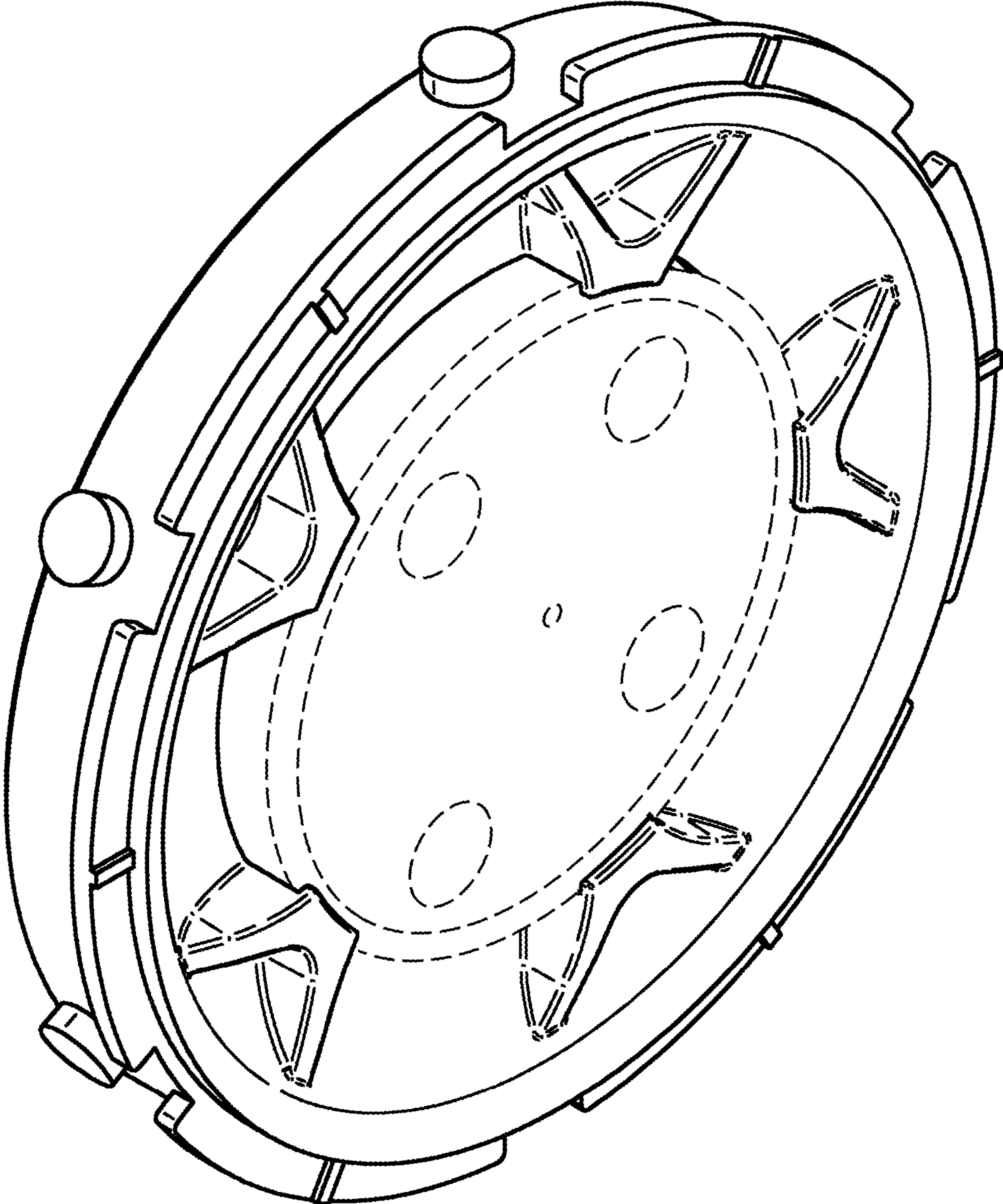


FIG. 16