



US00D898703S

(12) **United States Design Patent** (10) **Patent No.:** **US D898,703 S**
Landerus et al. (45) **Date of Patent:** **** Oct. 13, 2020**

(54) **ELECTRONIC DEVICE**

(71) Applicant: **Spotify AB**, Stockholm (SE)

(72) Inventors: **Richard Landerus**, Stockholm (SE);
Jonas Samrelius, Stockholm (SE)

(73) Assignee: **SPOTIFY AB**, Stockholm (SE)

(**) Term: **15 Years**

(21) Appl. No.: **29/646,735**

(22) Filed: **May 7, 2018**

(30) **Foreign Application Priority Data**

Mar. 1, 2018 (EP) 004734127-0002

(51) **LOC (12) Cl.** **14-03**

(52) **U.S. Cl.**
USPC **D14/217**

(58) **Field of Classification Search**

USPC D14/217, 204, 207, 209, 210, 211, 212,
D14/213, 214, 215, 216, 221, 222, 224
CPC H04R 2201/003; H04R 2420/07; H04R
3/12; H04R 27/00; H04R 9/08; H04R
19/04; H04R 1/1016; H04R 1/2857;
H04R 2410/03; H04R 2499/11; H04R
31/00; H04R 17/00; H04R 19/005; H04R
19/016; H04R 1/026; H04R 1/04; H04R
1/08; H04R 1/1008; H04R 1/1041; H04R
1/1075; H04R 1/1083; H04R 1/24; H04R
1/2834; H04R 1/2846; H04R 1/2892;
H04R 1/323; H04R 1/406; H04R
2225/33; H04R 2225/41; H04R 2225/49;
H04R 2410/01; H04R 2430/01; H04R
2460/03; H04R 25/453; H04R 25/505;
H04R 25/554; H04R 25/606; H04R
29/001; H04R 29/004; H04R 29/005;
H04R 3/002; H04R 3/005; H04R 3/007;
H04R 5/04; H04R 7/06; H04R 7/12;
H04R 7/20

See application file for complete search history.

(56) **References Cited**

U.S. PATENT DOCUMENTS

D479,712 S 9/2003 Ng
D490,068 S 5/2004 Chen
D512,049 S 11/2005 Yang
D524,292 S 7/2006 Tyneski et al.
D525,612 S 7/2006 Densho

(Continued)

FOREIGN PATENT DOCUMENTS

EM 000007901-0001 4/2003
EM 000120464-0001 12/2003

(Continued)

OTHER PUBLICATIONS

“Cleanskin universal magnetic holder small mount”, Officeworks, accessed Jan. 19, 2018. Available at: <https://www.officeworks.com.au/shop/officeworks/p/cleanskin-universal-magnetic-holder-small-mount-csmsul999b>.

(Continued)

Primary Examiner — Khawaja Anwar

(74) *Attorney, Agent, or Firm* — Merchant & Gould P.C.

(57) **CLAIM**

The ornamental design for an electronic device, as shown and described.

DESCRIPTION

FIG. 1 is a front view of an electronic device according to the present disclosure;
FIG. 2 is a front isometric view thereof;
FIG. 3 is a rear isometric view thereof;
FIG. 4 is a rear view thereof;
FIG. 5 is a left side view thereof; and,
FIG. 6 is a bottom view thereof.
The broken lines in the Figures depict portions of the electronic device that form no part of the claimed design.

1 Claim, 3 Drawing Sheets



(56)

References Cited

FOREIGN PATENT DOCUMENTS

U.S. PATENT DOCUMENTS

D552,086 S * 10/2007 Johnson D14/172
 D571,780 S * 6/2008 Tan D14/188
 D582,392 S 12/2008 Pauschitz et al.
 D591,270 S * 4/2009 Jakobson D14/217
 D603,378 S 11/2009 Paradise
 D609,698 S 2/2010 Ng
 D620,926 S 8/2010 Wai
 D623,629 S 9/2010 Lau
 D624,049 S * 9/2010 Liu D14/217
 D624,052 S * 9/2010 Shimizu D14/217
 D630,620 S 1/2011 Lee et al.
 D643,399 S 8/2011 Clemons et al.
 D644,200 S 8/2011 Bolton
 D661,280 S * 6/2012 Asaka D14/172
 D664,125 S 7/2012 Koch et al.
 D674,775 S 1/2013 Bolton
 D745,856 S 12/2015 Lopez
 D753,632 S * 4/2016 Fields D14/217
 D753,633 S * 4/2016 Fields D14/217
 D753,634 S * 4/2016 Fields D14/217
 D807,897 S * 1/2018 Dahan D14/480.1
 D851,070 S * 6/2019 Bing D14/217
 2007/0108788 A1 5/2007 Shalam et al.
 2010/0138581 A1 6/2010 Bird et al.
 2013/0346661 A1 12/2013 Hasenei
 2015/0237750 A1 8/2015 Yang

EM 000309992-0001 3/2005
 EM 001090237-0001 2/2009
 EM 001094775-0001 2/2009
 EM 001513623-0001 5/2009
 EM 001148290-0001 6/2009
 EM 001148290-0002 6/2009
 EM 001155840-0001 7/2009
 EM 001624891-0001 10/2009
 EM 001185235-0003 12/2009
 EM 001186126-0001 12/2009
 EM 002604926-0001 12/2014
 EP 2019351 A2 1/2009
 WO D081576-0001 11/2012
 WO D086478-0008 10/2014
 WO D089534-0002 1/2016
 WO D093125-0005 6/2016
 WO D095082-0001 3/2017

OTHER PUBLICATIONS

“Air Vent Car Mount Cell Phone Holder, JEBSENS CA02 Magnetic Air Vent Car Mount, Portable Universal Car GPS Smartphone Holder Mount, Apple iPhone 6 / 6 Plus (5.5”), 3 Metal Plates & Protection Film”, Jebbens, accessed Jan. 19, 2018. Available at: <https://www.amazon.com/JEBSENS-CA02-Universal-Smartphone-Protection/dp/B0144AX6WK>.

* cited by examiner

FIG. 1

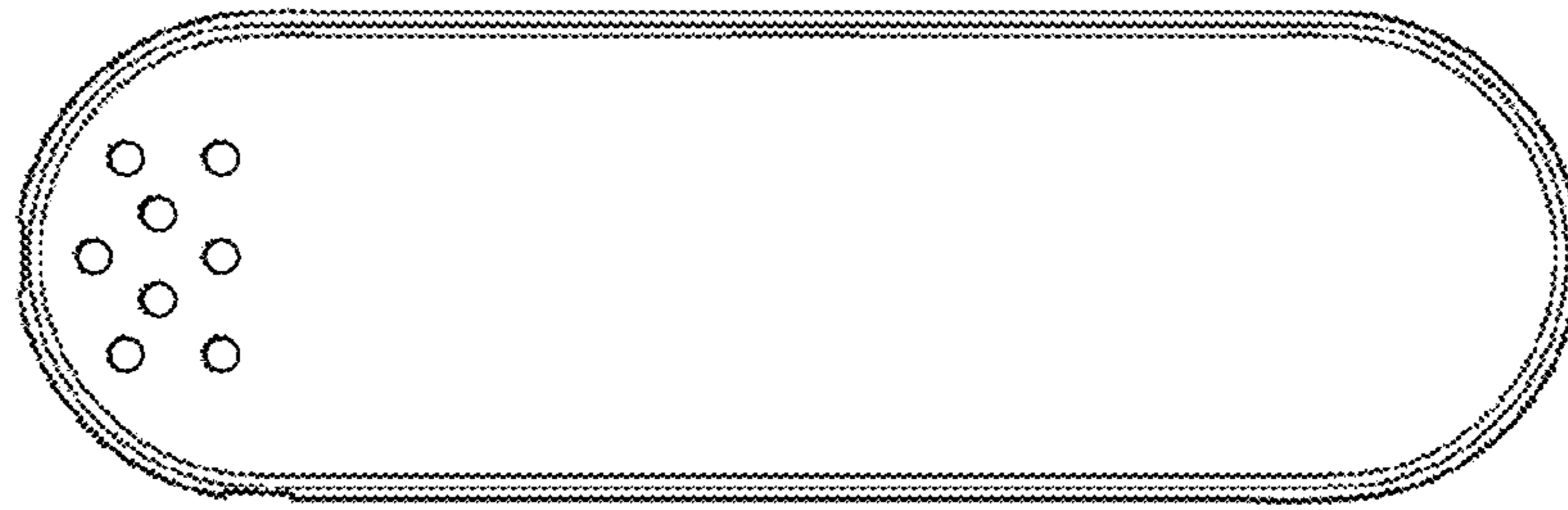


FIG. 2

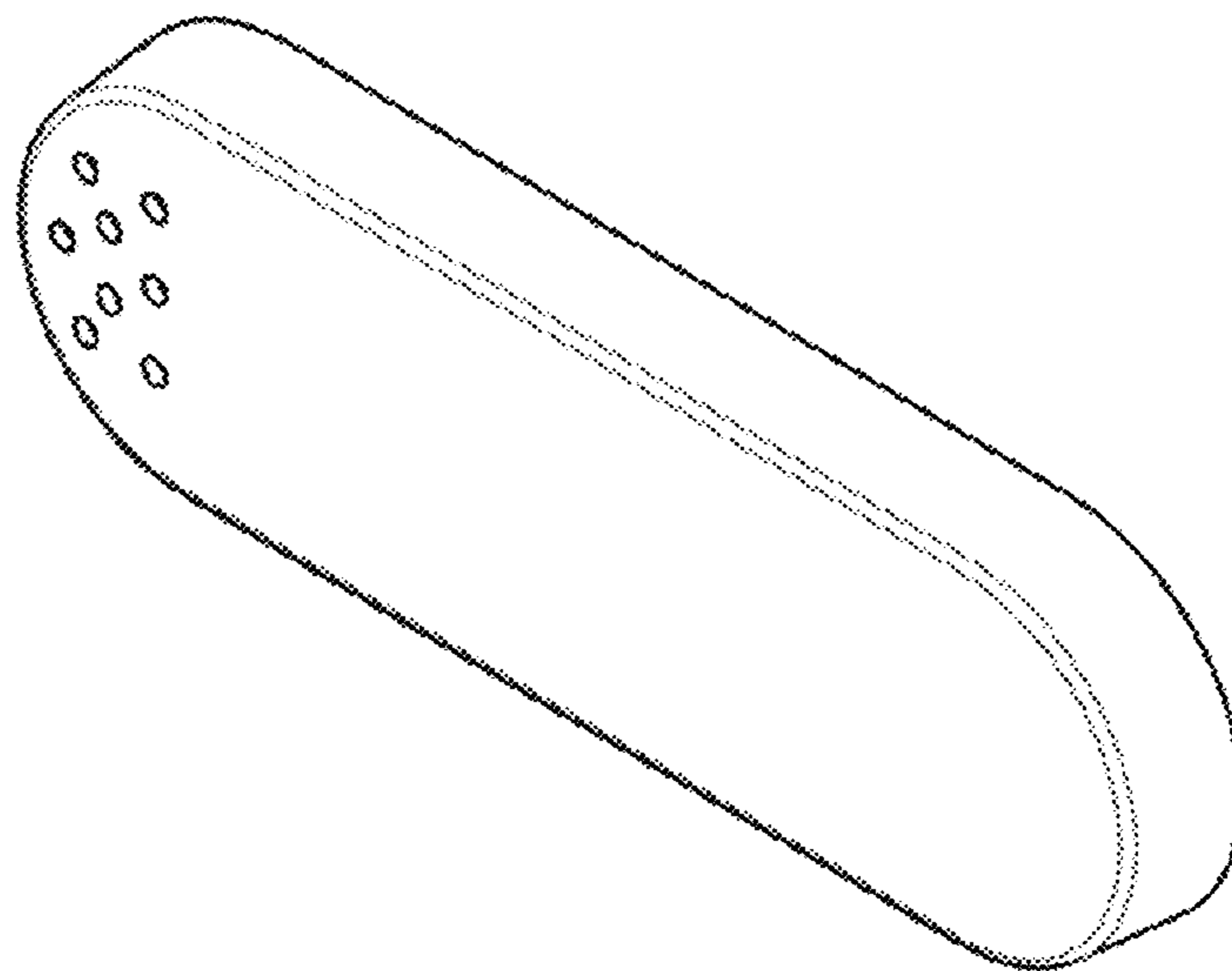


FIG. 3

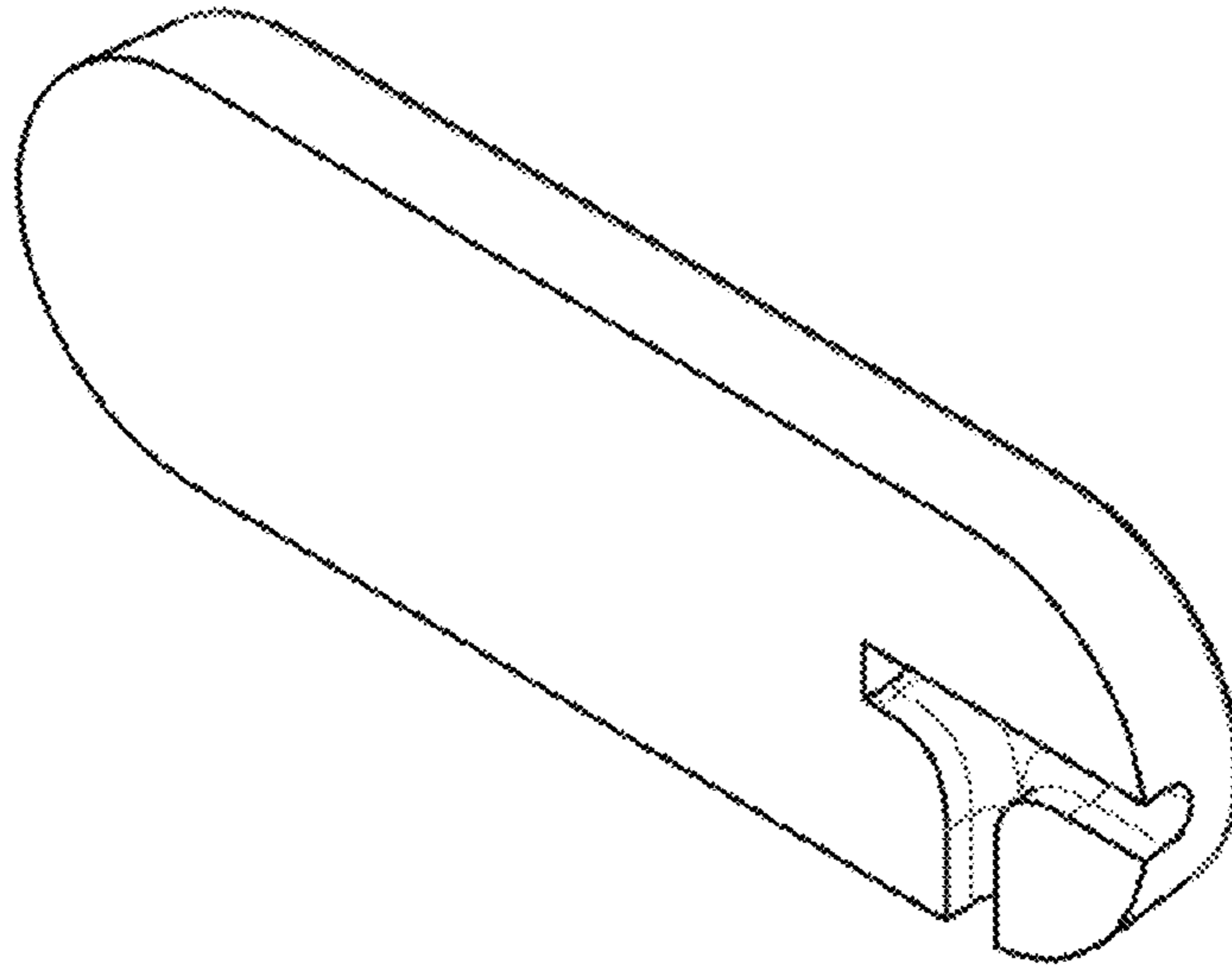


FIG. 4



FIG. 5

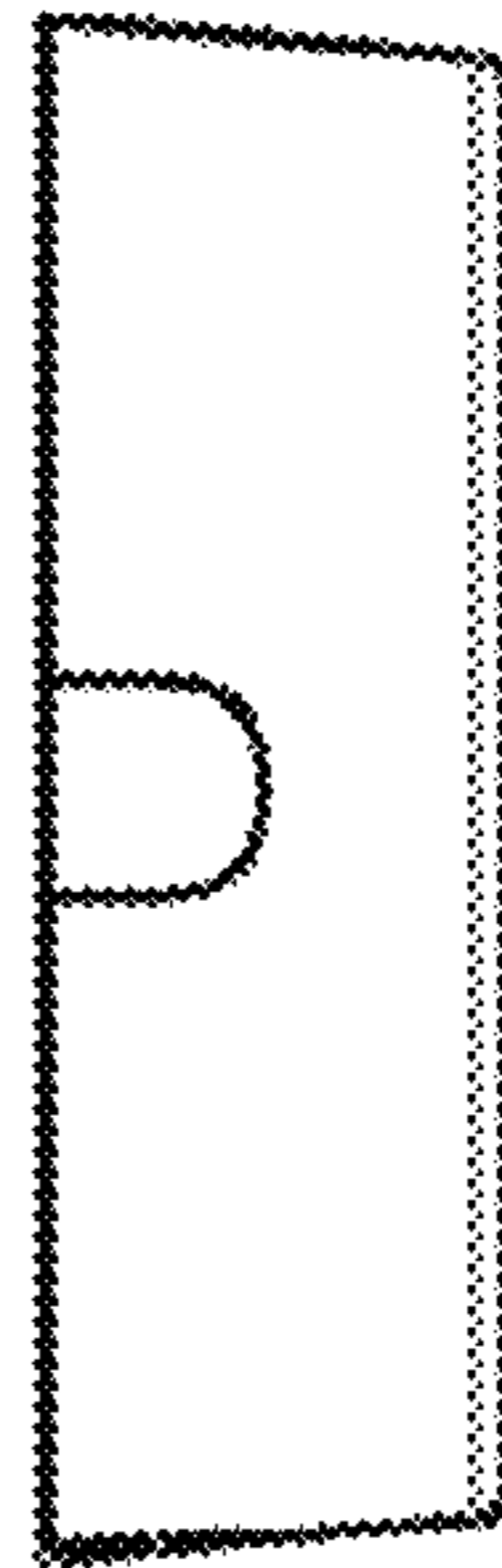


FIG. 6

