



US00D898701S

(12) **United States Design Patent**
Zhong

(10) **Patent No.:** **US D898,701 S**

(45) **Date of Patent:** **** Oct. 13, 2020**

- (54) **SINGLE EAR HEADPHONE**
- (71) Applicant: **Tony Zhong**, Guangdong (CN)
- (72) Inventor: **Tony Zhong**, Guangdong (CN)
- (73) Assignee: **Shenzhen YAMAY Digital Electronics Co., Ltd.**, Shenzhen, Guangdong (CN)
- (**) Term: **15 Years**
- (21) Appl. No.: **29/685,991**
- (22) Filed: **Apr. 2, 2019**
- (51) **LOC (12) Cl.** **14-01**
- (52) **U.S. Cl.**
USPC **D14/206; D14/226**
- (58) **Field of Classification Search**
USPC D14/206, 226, 225, 188, 192, 142;
381/380, 381, 363, 375; 455/90.3, 575.1,
455/569.1
CPC H04R 25/00; H04R 19/04; H04R 1/1066;
H04R 1/1016; H04R 5/033; H04R
5/0335; H04R 1/1091; H04R 1/105;
H04R 1/1083
See application file for complete search history.

- D377,020 S * 12/1996 Bungardt D14/205
- D394,437 S * 5/1998 Landreth D14/206
- D410,466 S * 6/1999 Mouri D14/205
- D410,921 S * 6/1999 Luchs D14/142
- D420,356 S * 2/2000 Suzuki D14/205
- 6,154,539 A * 11/2000 Pitel H04M 1/05
379/430
- D435,249 S * 12/2000 Yasutomi D14/205
- D436,348 S * 1/2001 McGugan D14/142
- D443,870 S * 6/2001 Carpenter D14/206
- D449,376 S * 10/2001 McDonald A61M 16/06
D14/206
- 6,622,029 B1 * 9/2003 Skulley H04M 1/05
379/430
- D482,019 S * 11/2003 Petersen D14/206
- D484,485 S * 12/2003 Matsuoka D14/205
- D488,146 S * 4/2004 Minto D14/206
- D494,154 S * 8/2004 Polito D14/206
- D494,957 S * 8/2004 Rath D14/206
- D498,470 S * 11/2004 Skulley D14/206
- D504,414 S * 4/2005 Yoshida D14/192
- D514,086 S * 1/2006 Skulley D14/206
- D517,528 S * 3/2006 Skulley D14/206
- D518,479 S * 4/2006 Skulley D14/225

(Continued)

Primary Examiner — Paula Allen Greene

(57) **CLAIM**

The ornamental design for a single ear headphone, as shown and described.

DESCRIPTION

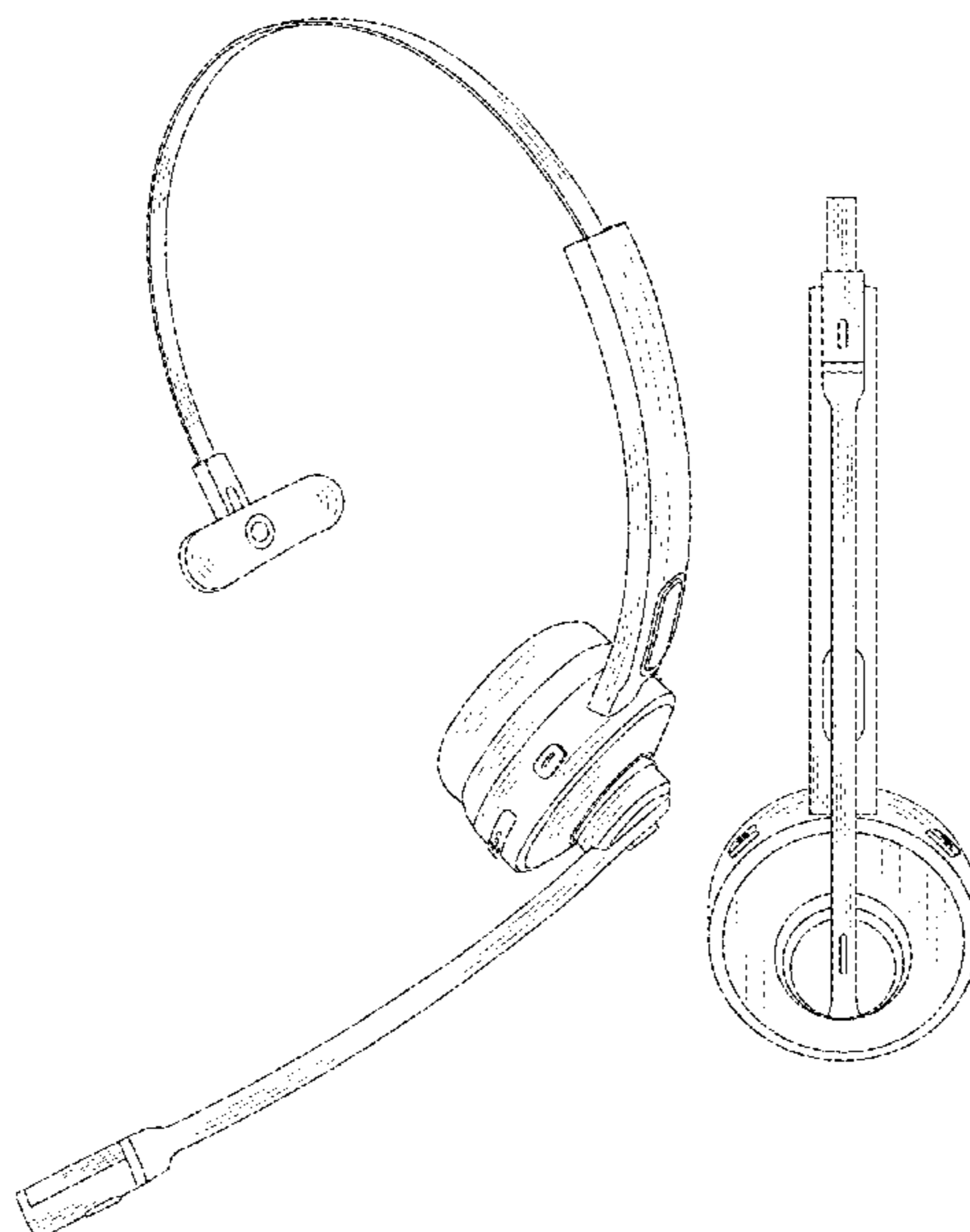
FIG. 1 is a perspective view of a single ear headphone showing my new design;
 FIG. 2 is another perspective view thereof;
 FIG. 3 is a front elevation view thereof;
 FIG. 4 is a rear elevation view thereof;
 FIG. 5 is a left side elevation view thereof;
 FIG. 6 is a right side elevation view thereof;
 FIG. 7 is a top plan view thereof; and,
 FIG. 8 is a bottom plan view thereof.

1 Claim, 8 Drawing Sheets

(56) **References Cited**

U.S. PATENT DOCUMENTS

- D246,519 S * 11/1977 Kato D14/205
- D291,198 S * 8/1987 Bellini D14/205
- D318,053 S * 7/1991 Ludeke D14/205
- D337,116 S * 7/1993 Hattori D14/206
- D344,730 S * 3/1994 Gattey D14/206
- D345,163 S * 3/1994 Yamatogi D14/205
- D346,802 S * 5/1994 Sacherman D14/206
- 5,369,857 A * 12/1994 Sacherman H04R 5/0335
29/594
- 5,406,037 A * 4/1995 Nageno H04R 5/0335
181/129
- D365,559 S * 12/1995 Fathi D14/142



(56)

References Cited

U.S. PATENT DOCUMENTS

D530,702 S * 10/2006 Pritchard D14/206
 D531,165 S * 10/2006 Rath D14/206
 D533,166 S * 12/2006 Marquez D14/225
 D538,785 S * 3/2007 Skulley D14/206
 D539,788 S * 4/2007 Thompson D14/225
 D539,789 S * 4/2007 Rausch D14/225
 D540,303 S * 4/2007 Rausch D14/205
 D540,778 S * 4/2007 Thompson D14/206
 D541,256 S * 4/2007 Rausch D14/205
 D542,774 S * 5/2007 Rausch D14/206
 7,245,737 B2 * 7/2007 Amae H04R 1/1066
 381/374
 D563,382 S * 3/2008 Wikel D14/205
 D567,215 S * 4/2008 Lee D14/205
 D582,890 S * 12/2008 Koza D14/205
 D587,684 S * 3/2009 Ham D14/205
 D588,098 S * 3/2009 Kurihara D14/205
 D592,640 S * 5/2009 Tkachuk D14/205
 D593,995 S * 6/2009 Shimizu D14/205
 D601,543 S * 10/2009 Bentley D14/206
 D602,001 S * 10/2009 Bentley D14/206
 D603,370 S * 11/2009 Suzuki D14/205
 D604,266 S * 11/2009 Milde D14/205
 D606,048 S * 12/2009 Soetejo D14/223
 D617,769 S * 6/2010 Birger D14/205
 D628,189 S * 11/2010 Rath D14/206
 D635,962 S * 4/2011 Kelley D14/206
 D638,000 S * 5/2011 Hoggarth D14/206
 D639,776 S * 6/2011 Arimoto D14/205
 D641,337 S * 7/2011 Brandis D14/206
 D643,405 S * 8/2011 Rath D14/206

D644,625 S * 9/2011 Iseki D14/206
 D654,471 S * 2/2012 Fischer D14/206
 D654,472 S * 2/2012 Fischer D14/206
 D668,240 S * 10/2012 Brandis D14/206
 D673,524 S * 1/2013 Brennwald D14/206
 D691,110 S * 10/2013 Ham D14/205
 D692,410 S * 10/2013 Brunner H04R 1/1008
 D14/206
 D707,655 S * 6/2014 Porter H04M 1/00
 D14/206
 D709,860 S * 7/2014 Brunner H04S 1/005
 D14/205
 D715,762 S * 10/2014 Chong D14/195
 D716,258 S * 10/2014 Awiszus D14/206
 D716,259 S * 10/2014 Awiszus D14/206
 D725,074 S * 3/2015 Boeckel D14/205
 D728,512 S * 5/2015 Nakagawa D14/205
 D732,002 S * 6/2015 Goransson D14/206
 D760,690 S * 7/2016 Gecawicz D14/206
 D763,228 S * 8/2016 Carr D14/206
 D806,676 S * 1/2018 Fuglsang D14/206
 D812,040 S * 3/2018 Yan D14/206
 D875,073 S * 2/2020 Pedersen D14/206
 D878,331 S * 3/2020 Tsubone D14/206
 D878,332 S * 3/2020 Tsubone D14/206
 2011/0135134 A1 * 6/2011 Essabar H04R 1/105
 381/374
 2011/0206216 A1 * 8/2011 Brunner H04R 1/1066
 381/74
 2011/0306393 A1 * 12/2011 Goldman H04M 1/7253
 455/575.2
 2012/0328119 A1 * 12/2012 Heise H04R 1/1066
 381/74

* cited by examiner

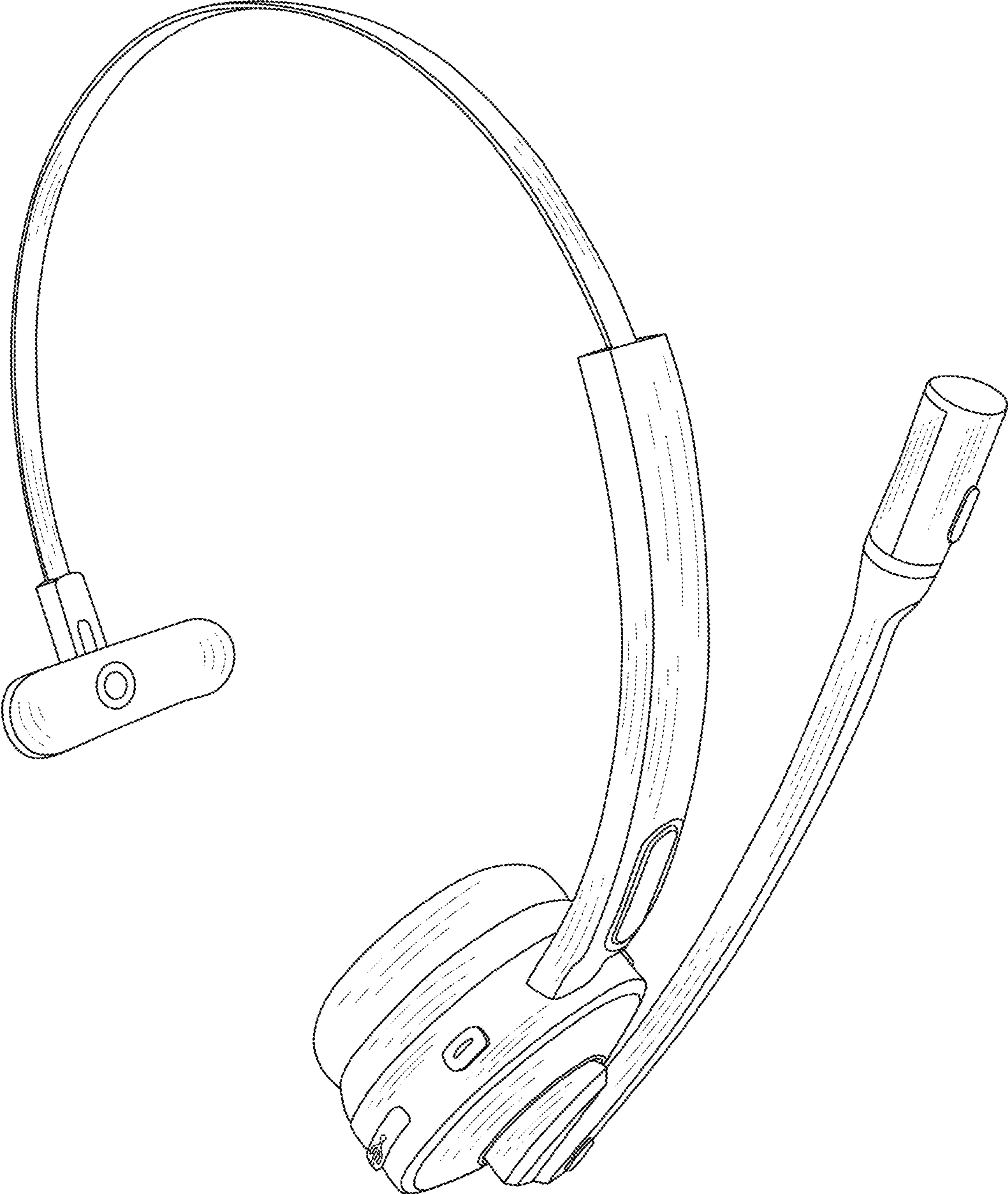


FIG.1

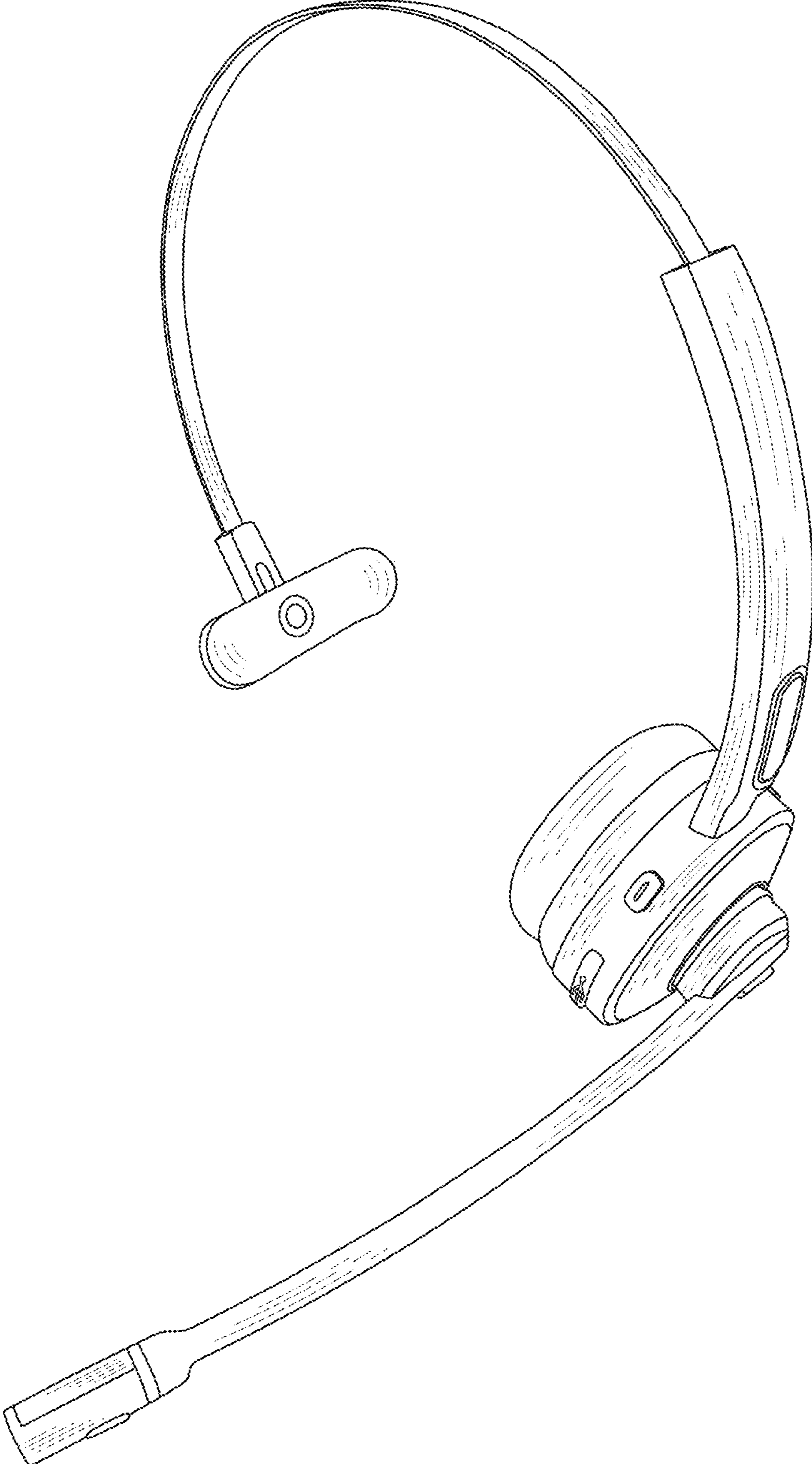


FIG.2

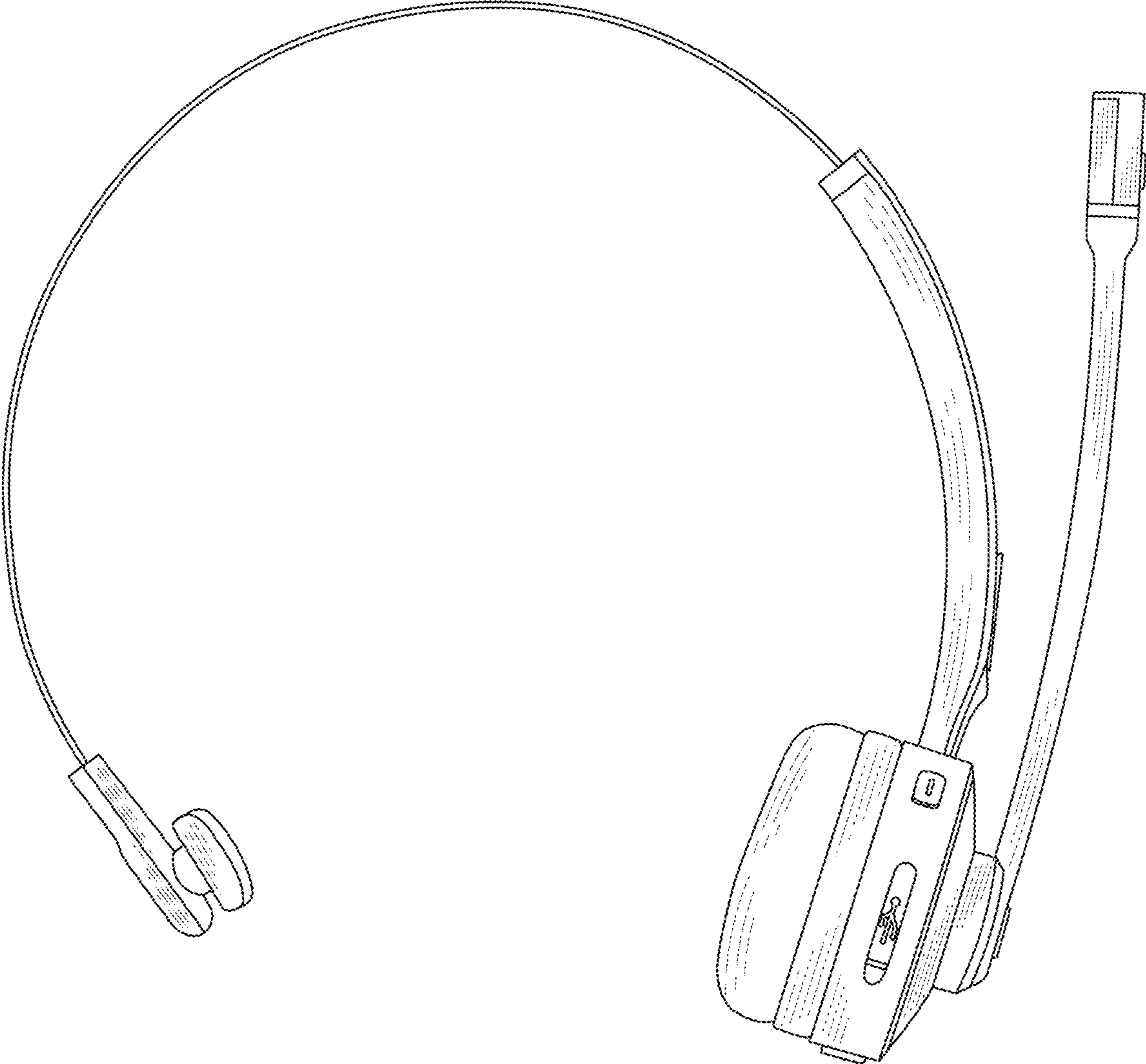


FIG.3

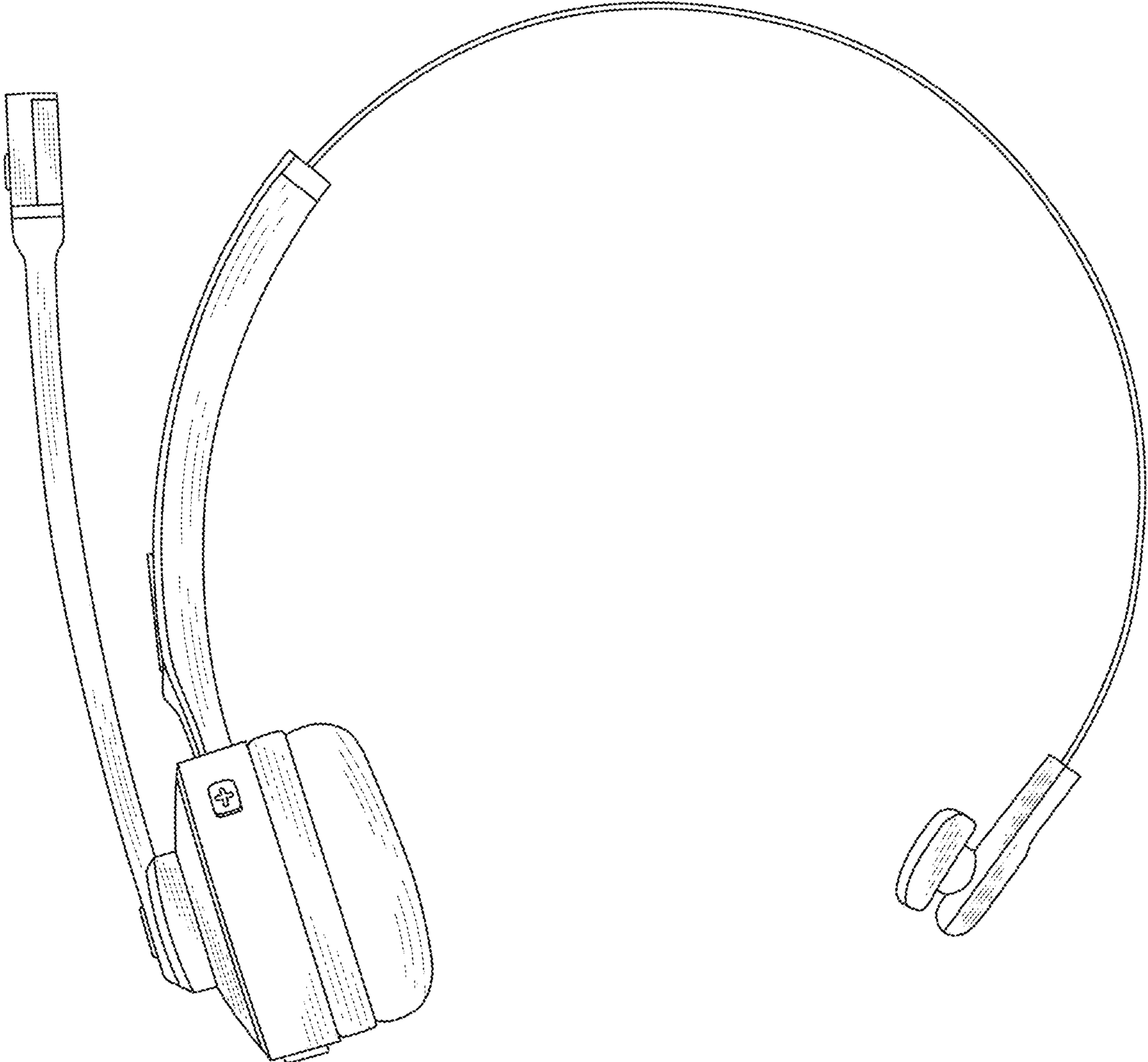


FIG.4

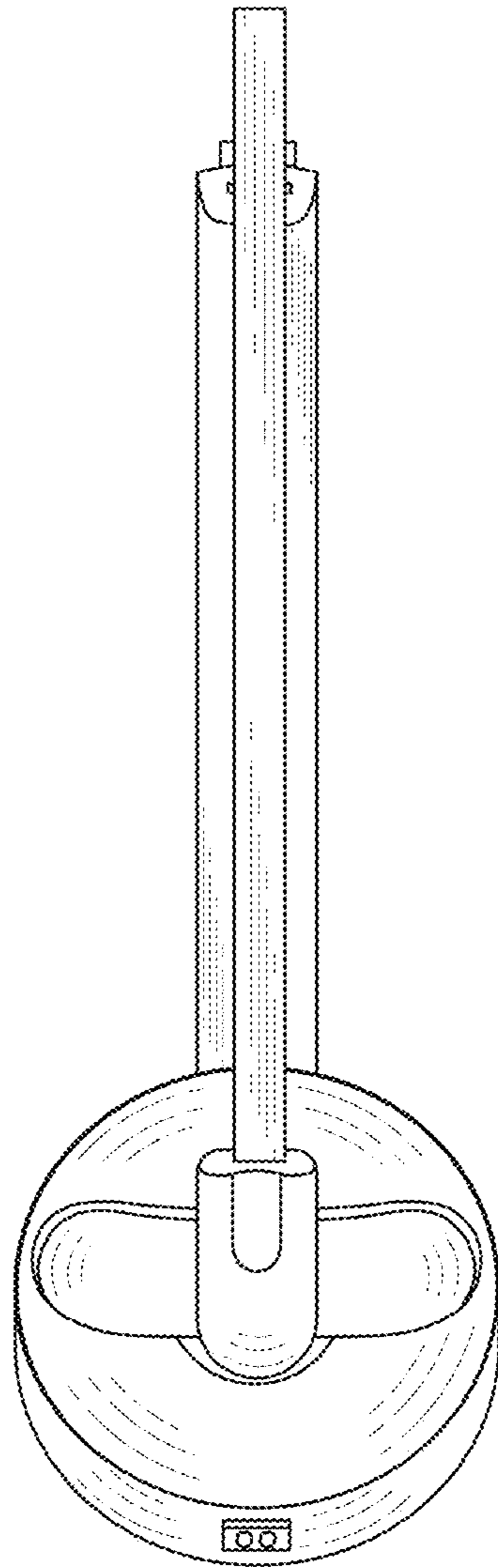


FIG.5

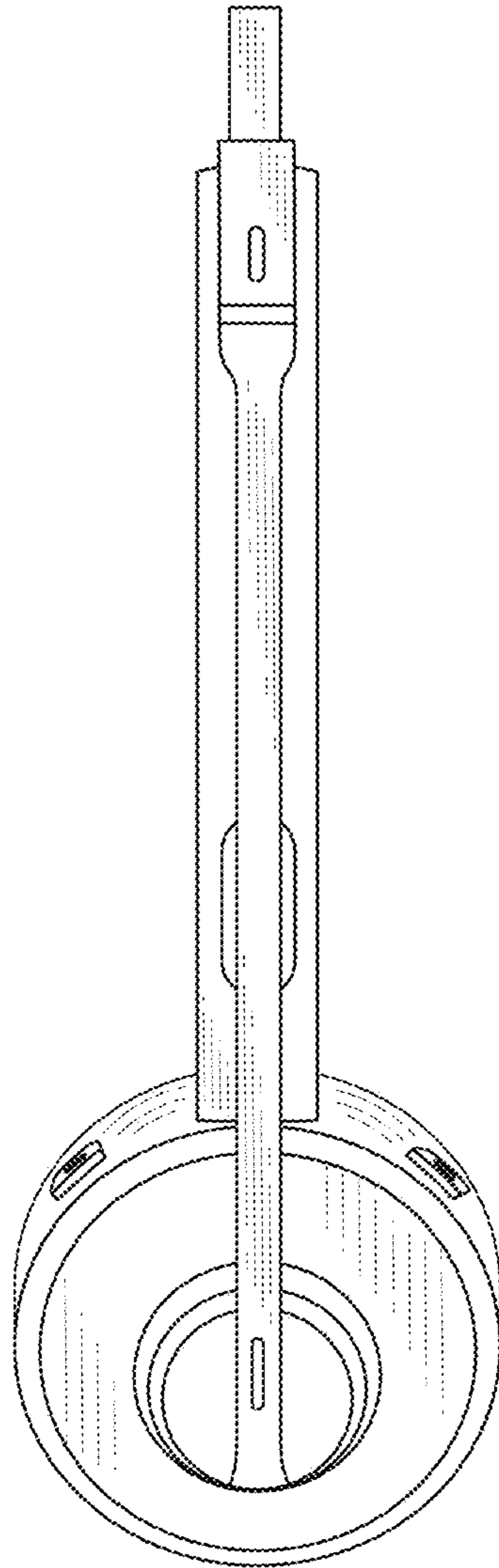


FIG.6

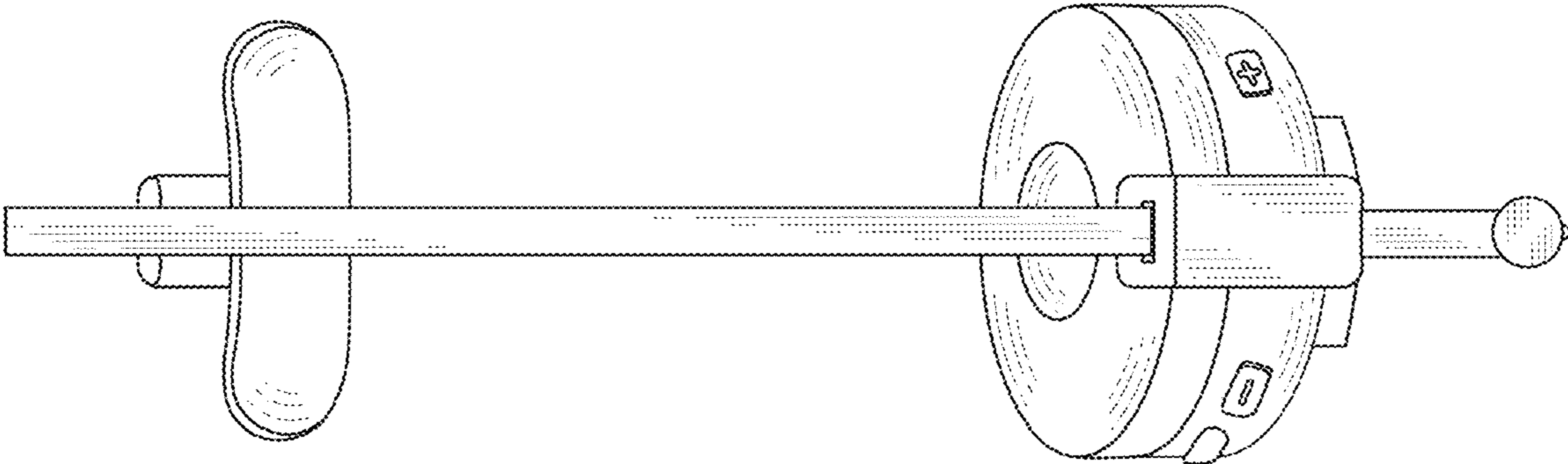


FIG. 7

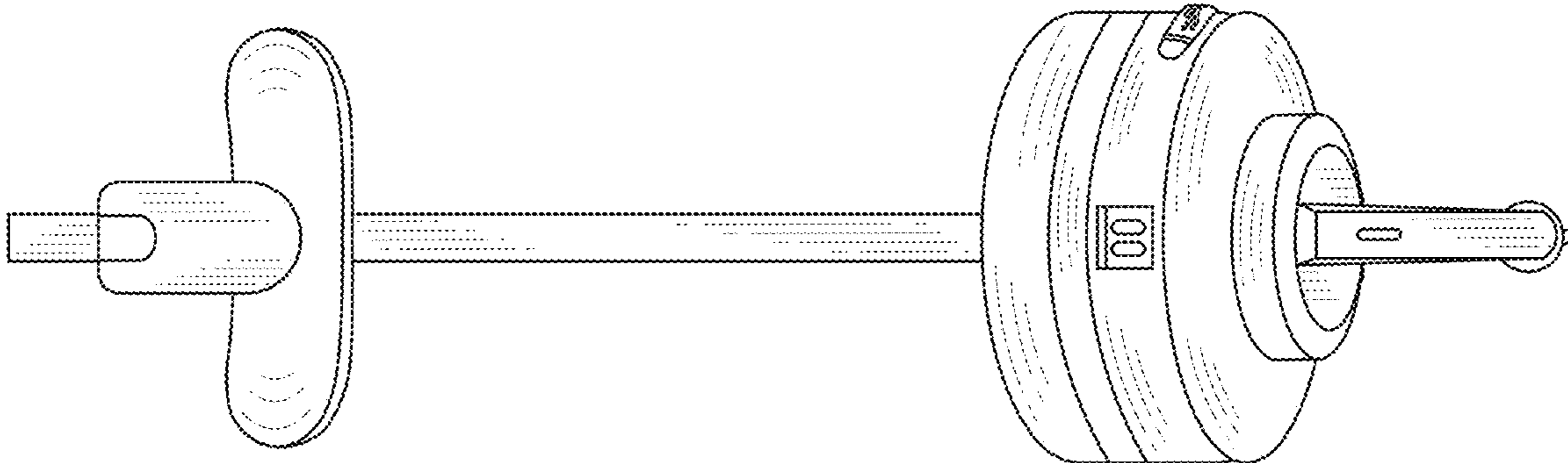


FIG. 8