



US00D898700S

(12) **United States Design Patent** (10) **Patent No.:** **US D898,700 S**
Gomi (45) **Date of Patent:** **** Oct. 13, 2020**

(54) **SPEAKER**
(71) Applicant: **SHARP KABUSHIKI KAISHA,**
Sakai, Osaka (JP)
(72) Inventor: **Hiroshi Gomi,** Sakai (JP)
(73) Assignee: **Sharp Kabushiki Kaisha,** Sakai, Osaka
(JP)
(**) Term: **15 Years**
(21) Appl. No.: **29/672,969**
(22) Filed: **Dec. 11, 2018**

D357,244 S 4/1995 Usami et al.
D357,245 S 4/1995 Usami et al.
D357,472 S 4/1995 Usami et al.
D369,596 S 5/1996 Akiyama et al.
D372,026 S 7/1996 Akiyama et al.
D373,583 S 9/1996 Akiyama et al.
D416,907 S * 11/1999 Azima D14/214
D427,169 S 6/2000 Saeki et al.
D429,227 S 8/2000 Shimizu
D431,537 S 10/2000 Saeki et al.
D438,848 S 3/2001 Kita
D439,224 S 3/2001 Kita
D439,225 S 3/2001 Kita
D453,747 S 2/2002 Kita
D453,748 S 2/2002 Kita
D456,370 S 4/2002 Kita
D458,910 S 6/2002 Kita

(Continued)

(30) **Foreign Application Priority Data**
Jun. 11, 2018 (JP) 2018-012736
(51) **LOC (12) Cl.** **14-01**
(52) **U.S. Cl.**
USPC **D14/204**
(58) **Field of Classification Search**
USPC D14/170-172, 188, 203.1, 203.3, 203.8,
D14/204, 209.1, 210-216, 348; 181/144,
181/145, 147, 148, 152, 153, 157, 198,
181/199; 369/6-12; 381/28, 300-303,
381/307, 386-395
CPC H04R 1/02; H04R 1/021; H04R 1/023;
H04R 5/02; H04R 9/06; H04R 19/02;
H04R 2400/00
See application file for complete search history.

Primary Examiner — Derrick E Holland
Assistant Examiner — Janice Patyk
(74) *Attorney, Agent, or Firm* — Nixon & Vanderhye P.C.

(57) **CLAIM**

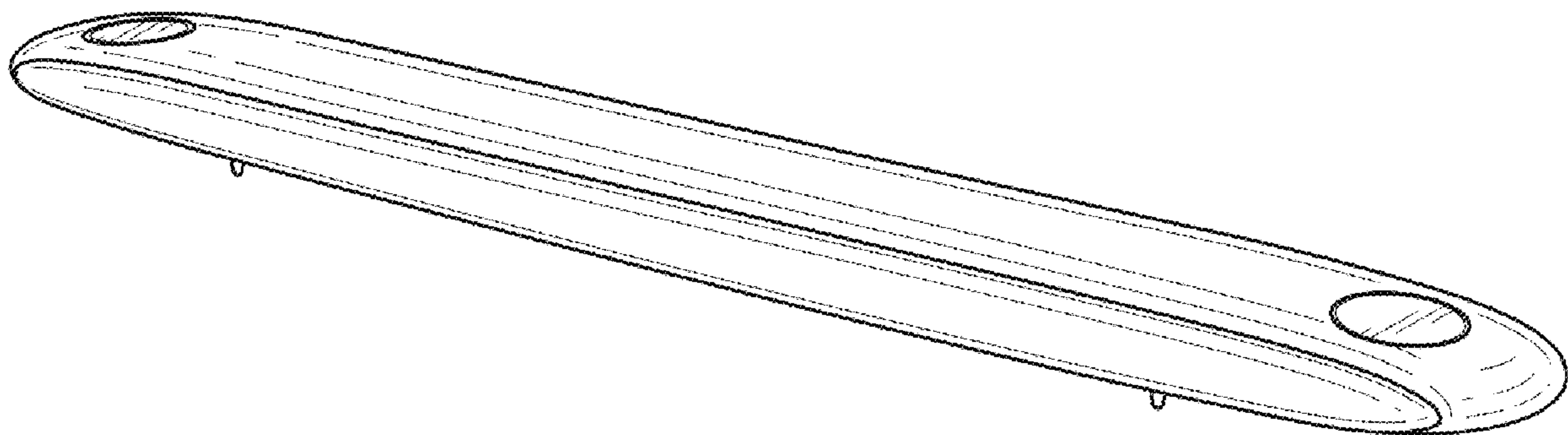
The ornamental design for a speaker, as shown and described.

DESCRIPTION

FIG. 1 is a front, right side perspective view of a speaker, showing my new design;
FIG. 2 is a front elevation view of the speaker of FIG. 1;
FIG. 3 is a rear elevation view of the speaker of FIG. 1;
FIG. 4 is a top plan view of the speaker of FIG. 1;
FIG. 5 is a bottom plan view of the speaker of FIG. 1;
FIG. 6 is a right side elevation view of the speaker of FIG. 1;
FIG. 7 is a left side elevation view of the speaker of FIG. 1;
FIG. 8 is a cross-sectional view of the speaker of FIG. 1, taken along line 8-8 of FIG. 4; and,
FIG. 9 is a cross-sectional view of the speaker of FIG. 1, taken along line 8-8 of FIG. 4.

1 Claim, 4 Drawing Sheets

(56) **References Cited**
U.S. PATENT DOCUMENTS
D337,113 S 7/1993 Saito
D342,497 S 12/1993 Saito et al.
D342,501 S 12/1993 Saeki et al.
D351,155 S 10/1994 Usami et al.
D351,156 S 10/1994 Usami et al.



(56)

References Cited

U.S. PATENT DOCUMENTS

D461,177 S * 8/2002 Hisatsune D14/211
 D462,353 S 9/2002 Kita
 D492,269 S 6/2004 Kita
 D496,915 S 10/2004 Kita
 D497,351 S 10/2004 Kita
 D497,599 S 10/2004 Kita
 D498,018 S * 11/2004 Sieczkowski D26/118
 D499,076 S 11/2004 Kita
 D501,186 S 1/2005 Kita
 D501,654 S 2/2005 Kita
 D502,451 S 3/2005 Kita
 D502,931 S 3/2005 Kita
 D503,702 S * 4/2005 Stevens D14/214
 D505,123 S 5/2005 Kita
 D505,403 S 5/2005 Kita
 D510,731 S 10/2005 Kita
 D512,385 S 12/2005 Kita
 D512,386 S 12/2005 Kita
 D532,408 S 11/2006 Kita
 D536,678 S 2/2007 Kita
 D538,242 S 3/2007 Kita

D538,762 S 3/2007 Fuji et al.
 D538,763 S 3/2007 Fuji et al.
 D539,766 S 4/2007 Kita
 D540,281 S 4/2007 Kita
 D540,282 S 4/2007 Kita
 D540,284 S 4/2007 Kita
 D540,285 S 4/2007 Kita
 D541,237 S 4/2007 Kita
 D541,240 S 4/2007 Kita
 D541,766 S 5/2007 Kita
 D541,772 S 5/2007 Kita
 D541,774 S 5/2007 Kita
 D541,775 S 5/2007 Kita
 D543,519 S 5/2007 Kita
 D551,187 S 9/2007 Kita
 D552,569 S 10/2007 Kita
 D552,586 S * 10/2007 Kim D14/138 AD
 D554,085 S 10/2007 Kita
 D558,736 S 1/2008 Kita
 D586,769 S 2/2009 Kita
 D644,201 S * 8/2011 Park D14/214
 D704,167 S * 5/2014 Akana D14/218
 D749,542 S * 2/2016 Ahn D14/204

* cited by examiner

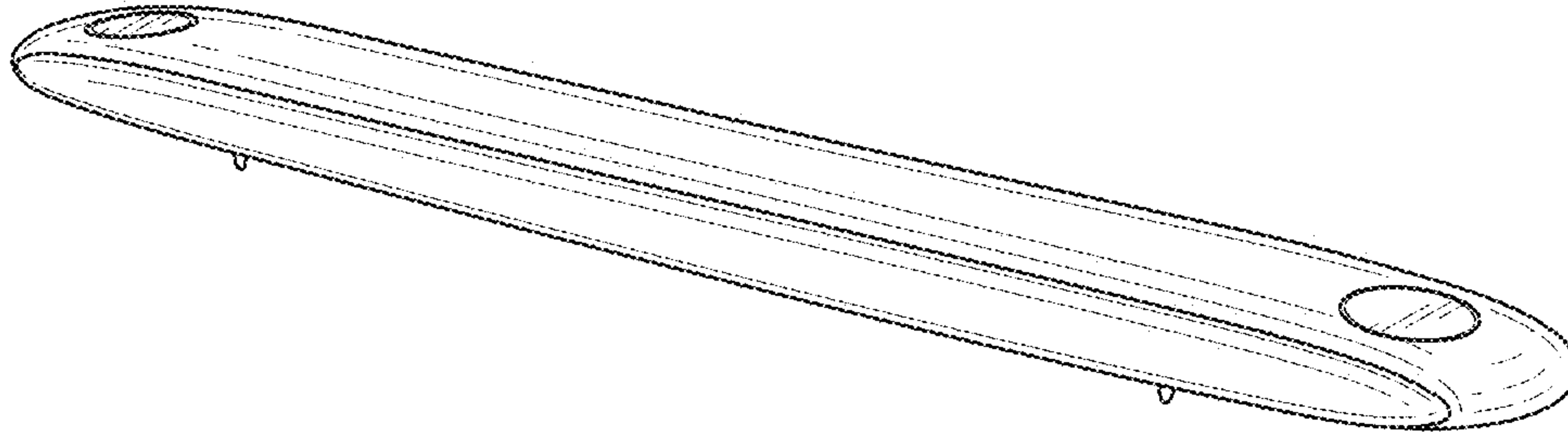


Fig. 1

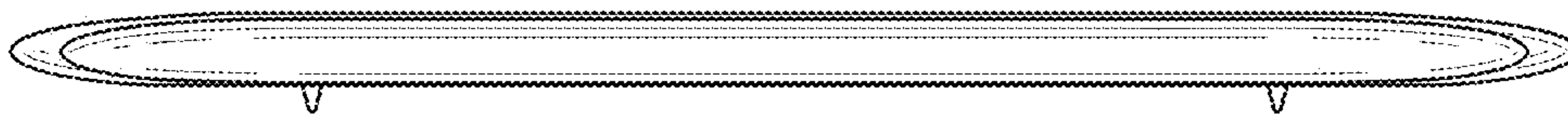


Fig. 2

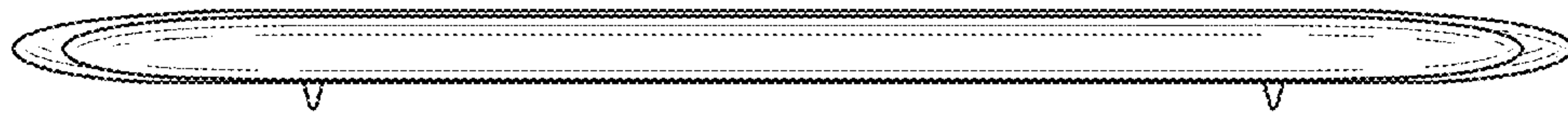


Fig. 3

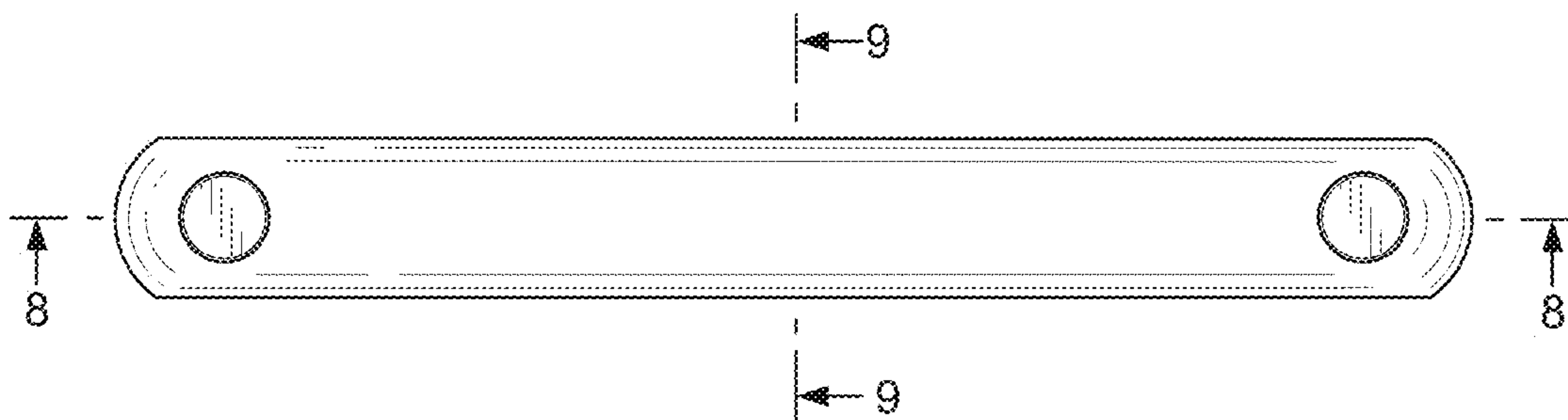


Fig. 4



Fig. 5

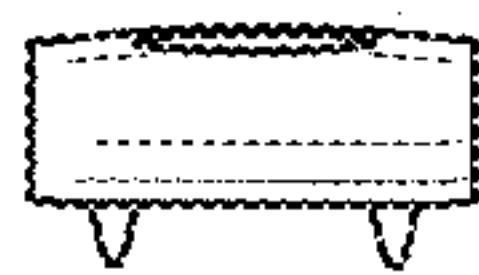


Fig. 6

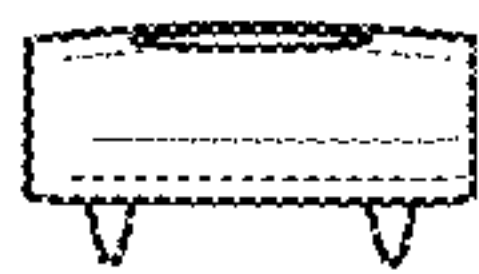


Fig. 7



Fig. 8

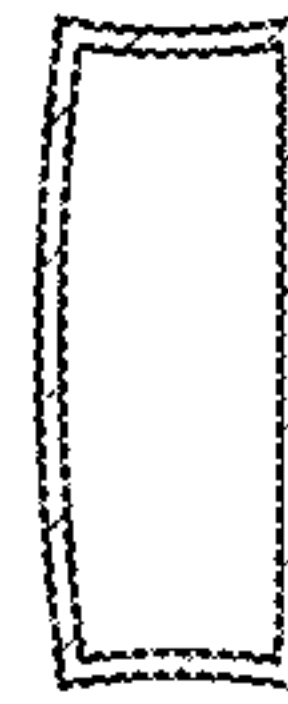


Fig. 9