



US00D898699S

(12) **United States Design Patent**
Peng

(10) **Patent No.:** **US D898,699 S**

(45) **Date of Patent:** **** Oct. 13, 2020**

(54) **PHONOGRAPH**

D810,716 S * 2/2018 Yang D14/203
D824,357 S * 7/2018 Ding D14/202
D845,268 S * 4/2019 He D14/202

(71) Applicant: **WINWIN INTERNATIONAL
TRADE LIMITED**, Hong Kong (HK)

* cited by examiner

(72) Inventor: **Wenhui Peng**, Hong Kong (HK)

Primary Examiner — Sandra L Morris

(73) Assignee: **WINWIN INTERNATIONAL
TRADE LIMITED (HK)**

(74) *Attorney, Agent, or Firm* — Law Offices of Steven
W. Weinrieb

(**) Term: **15 Years**

(57) **CLAIM**

The ornamental design for a phonograph, as shown and described.

(21) Appl. No.: **29/681,305**

DESCRIPTION

(22) Filed: **Feb. 25, 2019**

(51) **LOC (12) Cl.** **14-01**

(52) **U.S. Cl.**
USPC **D14/202**; D14/203

(58) **Field of Classification Search**
USPC D14/199–203, 261; 369/264–265
CPC B60R 11/02; B60K 37/04; B60K 37/06;
H04B 1/08; H04B 1/082; G11B 17/16;
G11B 23/00; G11B 19/16; G11B 33/02
See application file for complete search history.

FIG. 1 is a front, right side, top perspective view of a phonograph showing my new design;
FIG. 2 is a rear, left side, bottom perspective view thereof;
FIG. 3 is a front elevational view;
FIG. 4 is a rear elevational view thereof;
FIG. 5 is a left side elevational view thereof;
FIG. 6 is a right side elevational view thereof;
FIG. 7 is a top plan view thereof;
FIG. 8 is a bottom plan view thereof; and,
FIG. 9 is a front, right side, top perspective view thereof with the lid disposed in a fully closed position.

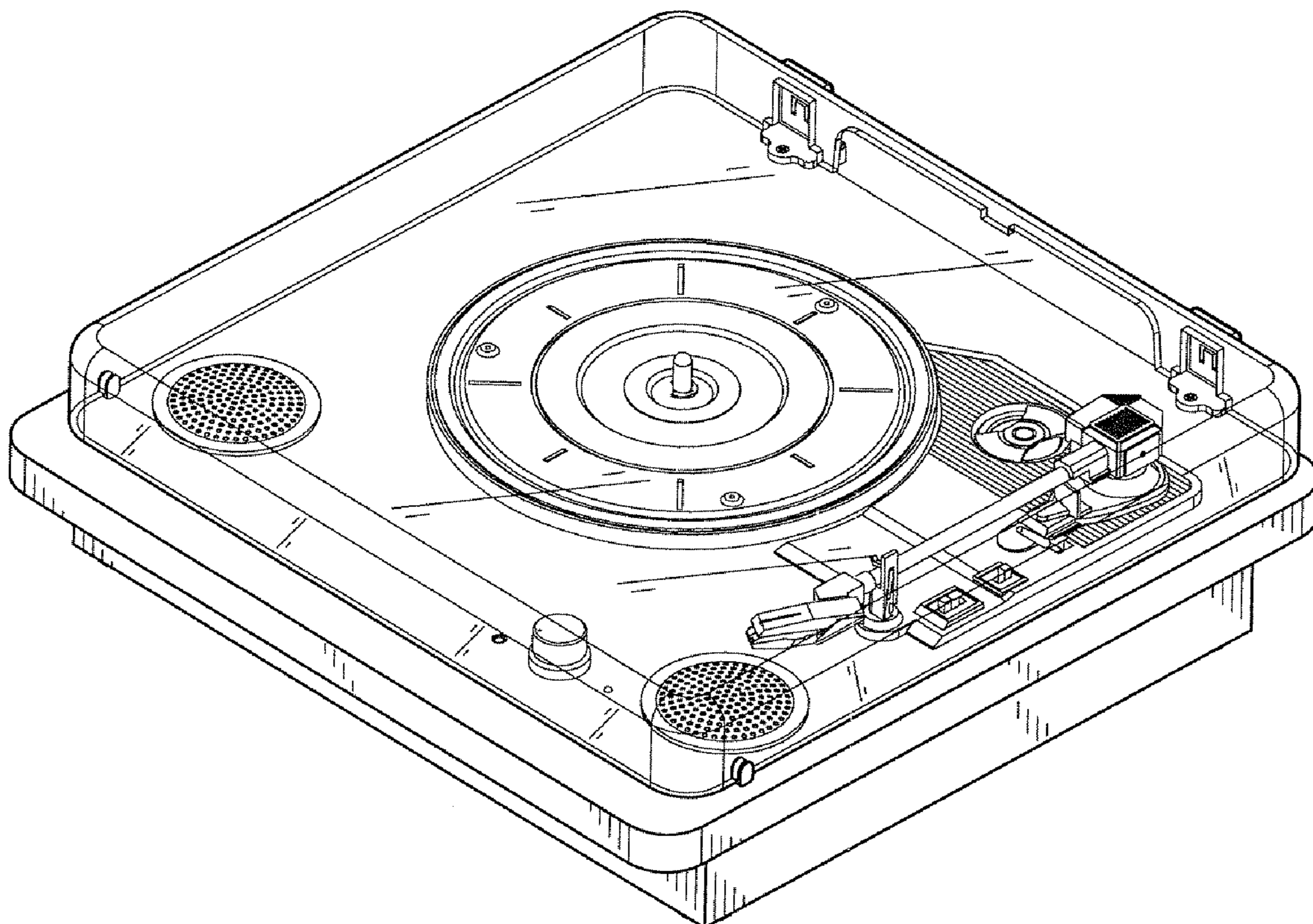
The broken lines immediately adjacent to the claimed portions are boundaries, all other broken lines are environmental structures; all the broken lines form no part of the claimed design.

(56) **References Cited**

U.S. PATENT DOCUMENTS

D241,574 S * 9/1976 Mukai et al. D14/202
D247,488 S * 3/1978 Ohtomo D14/202
D253,648 S * 12/1979 Ohtomo D14/203
D265,196 S * 6/1982 Matsumura D14/202

1 Claim, 9 Drawing Sheets



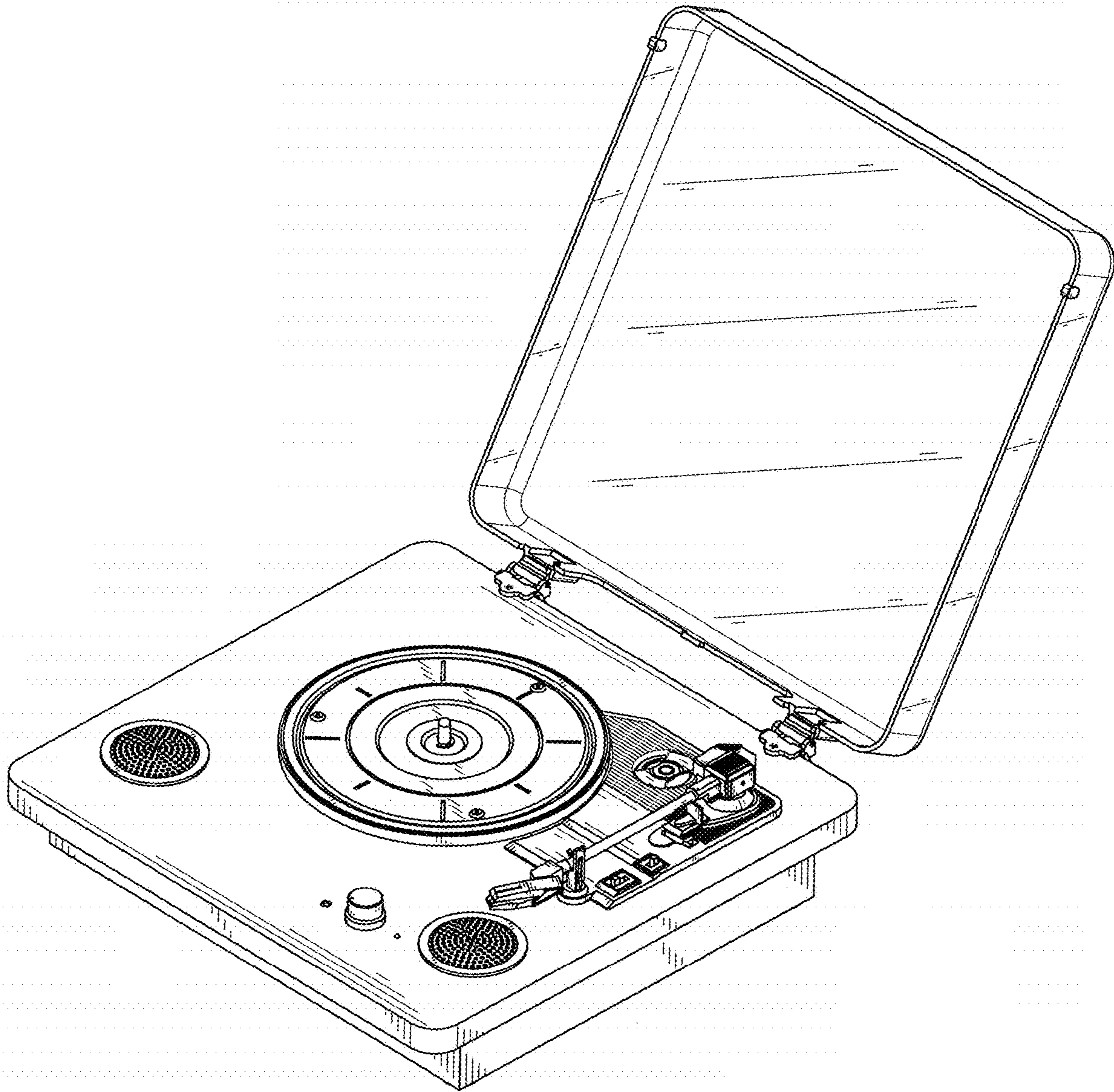


FIG. 1

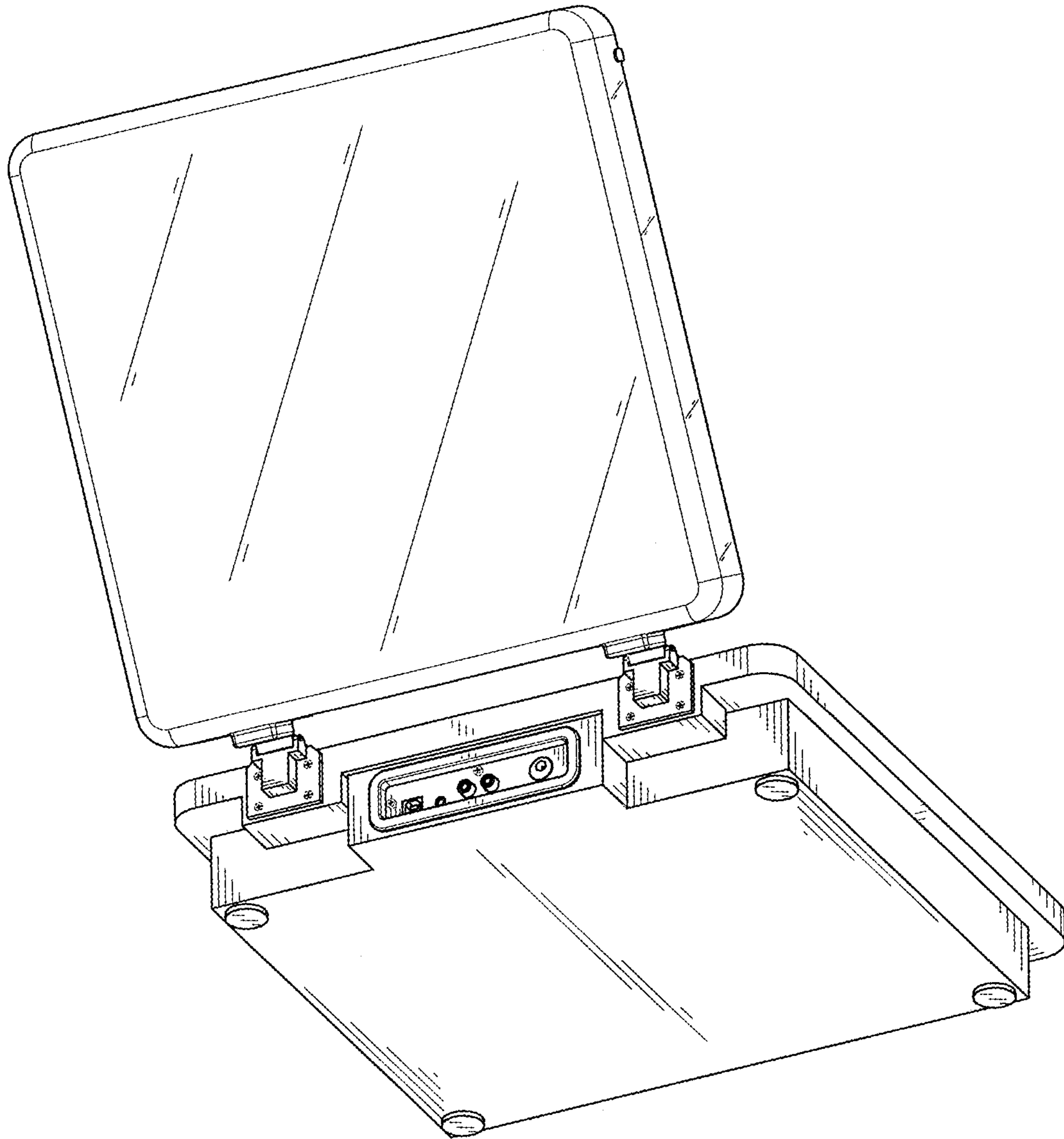


FIG. 2

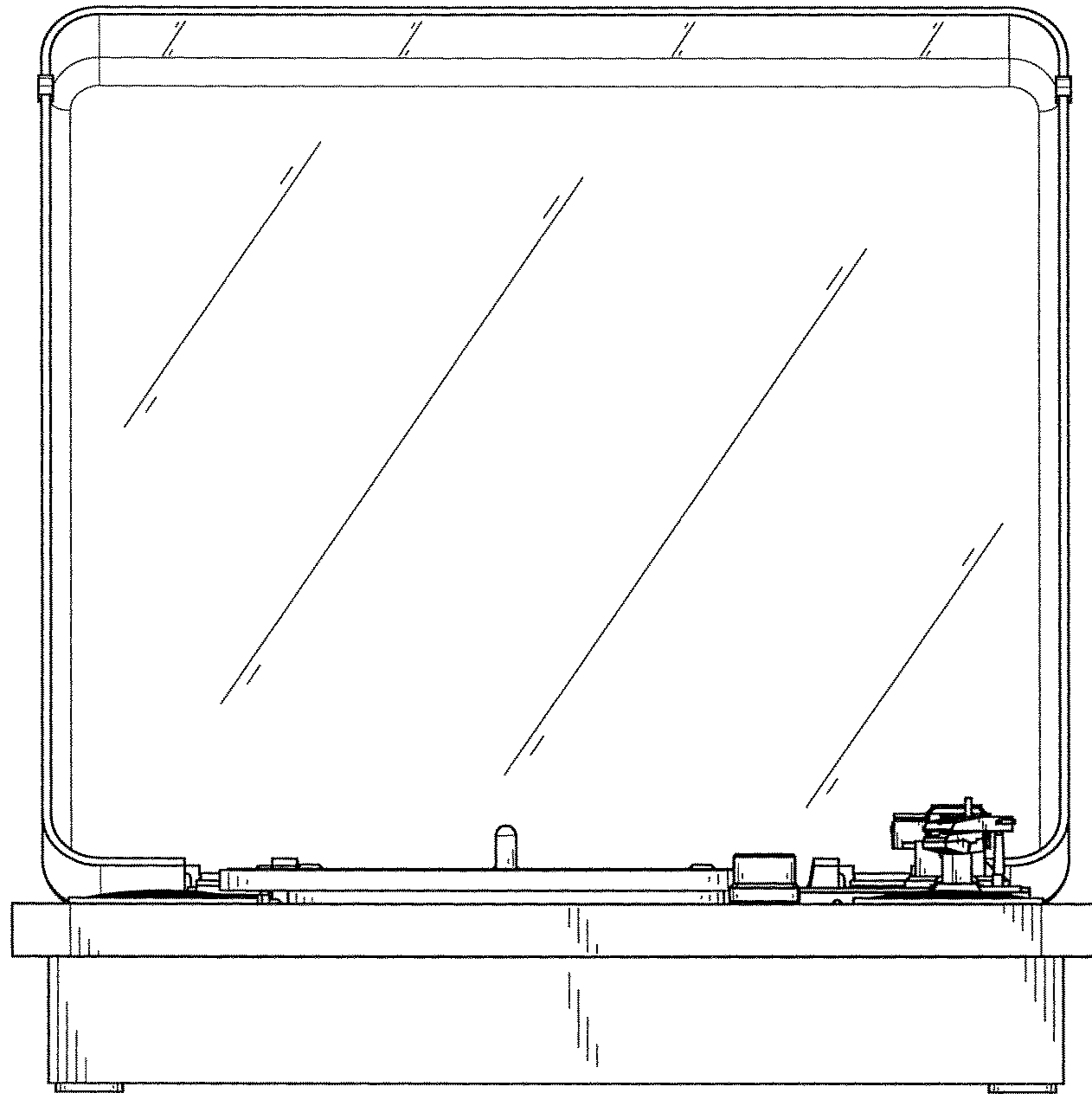


FIG. 3

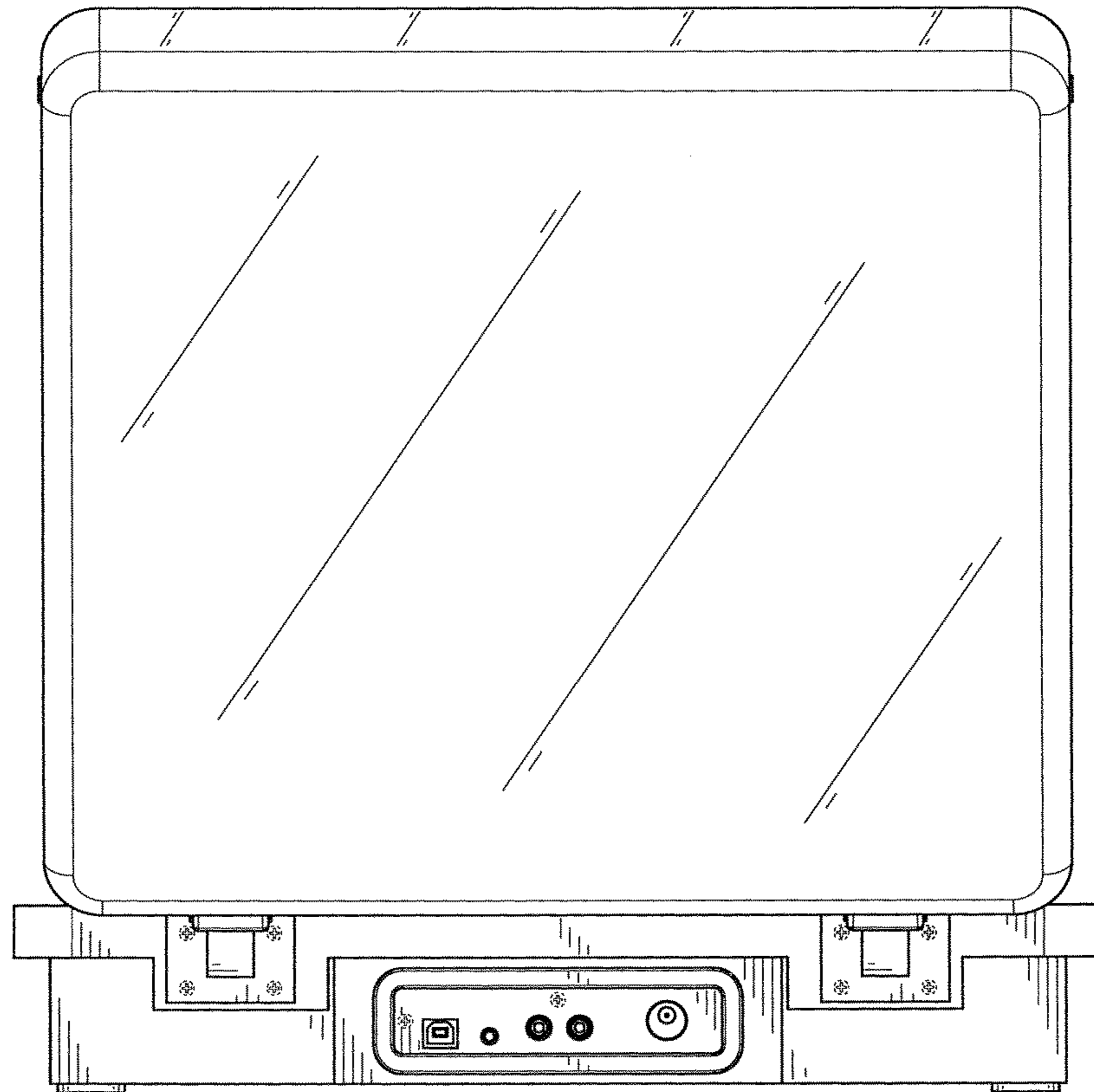


FIG. 4

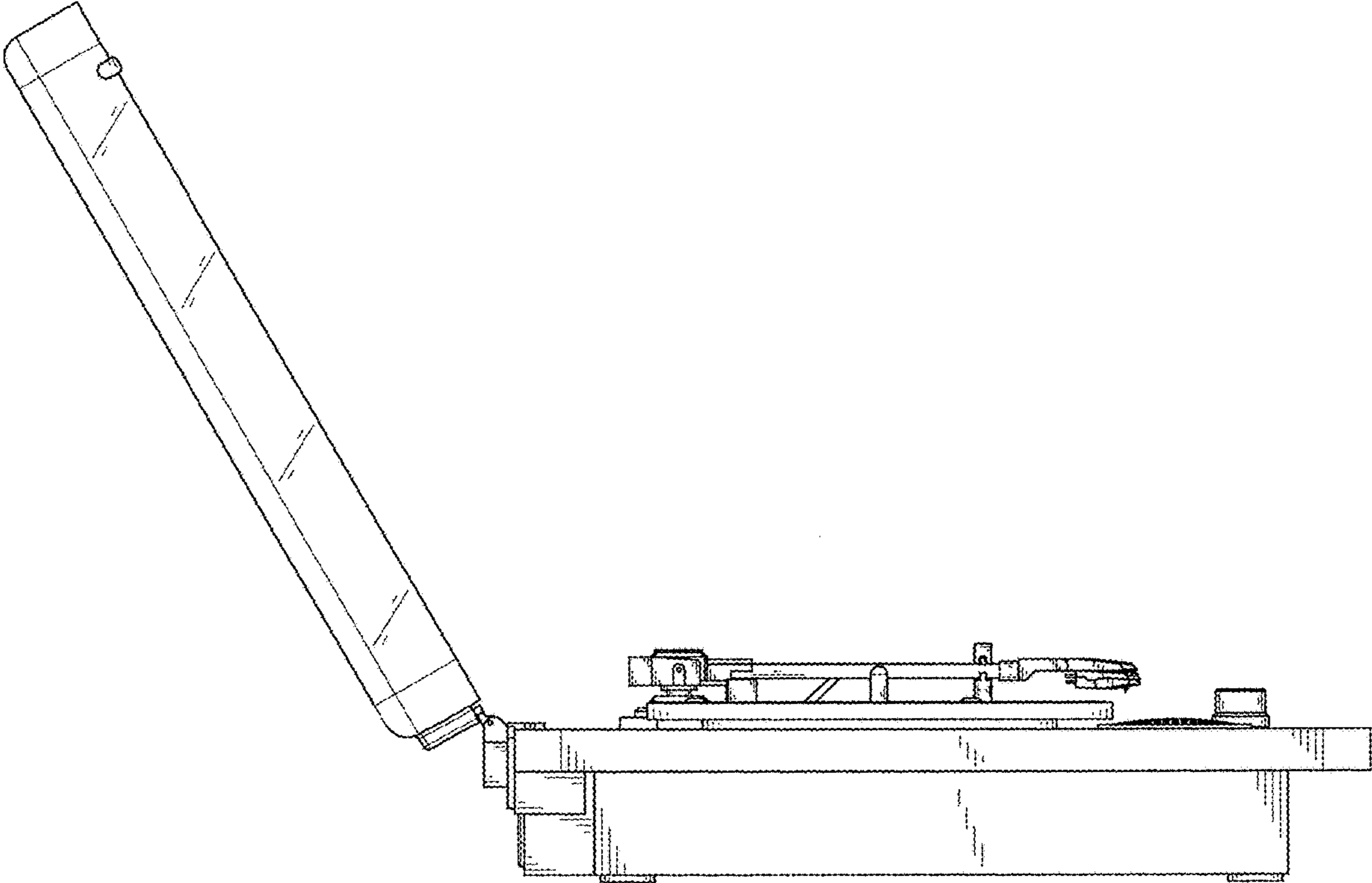


FIG. 5

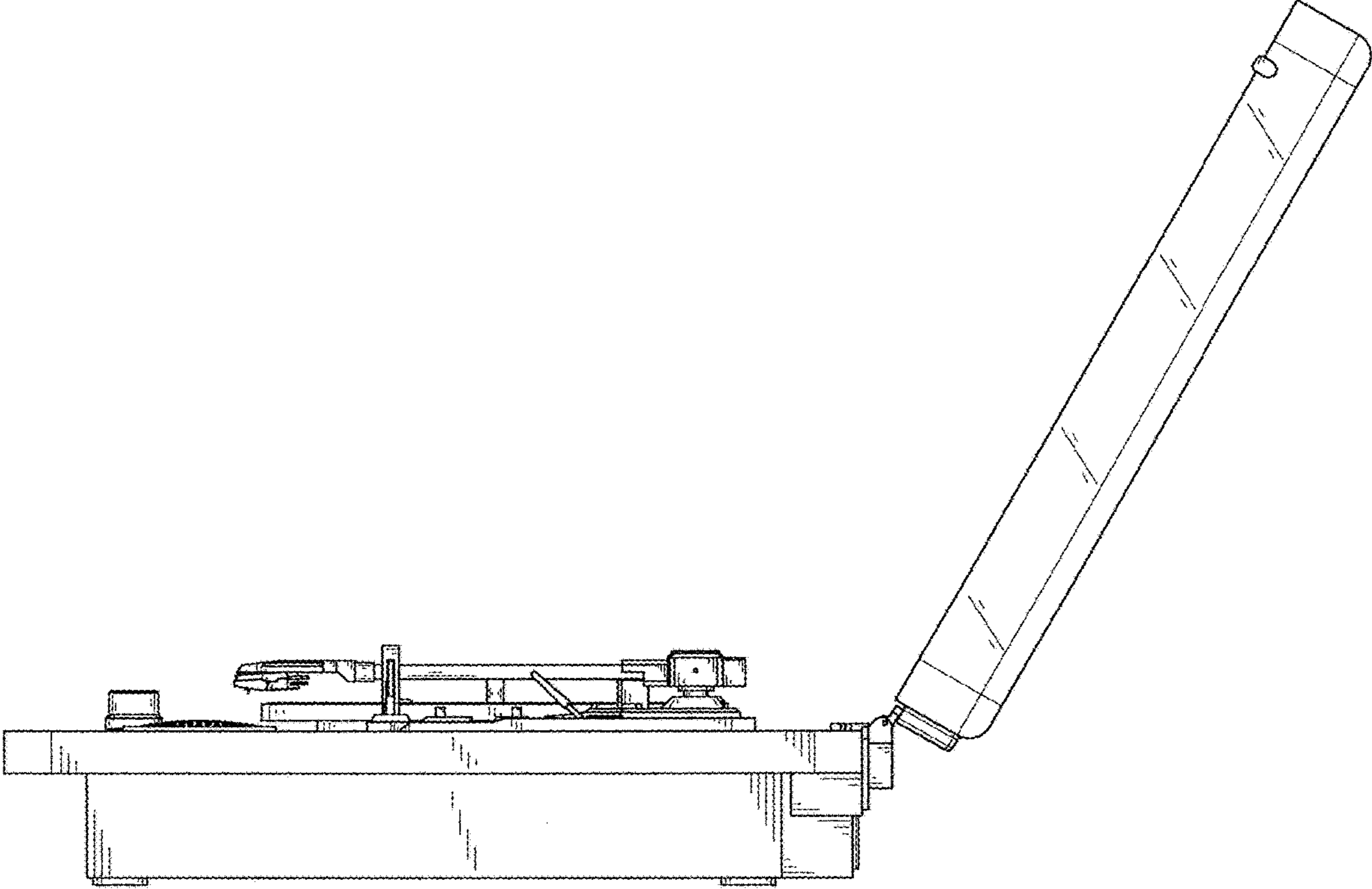


FIG. 6

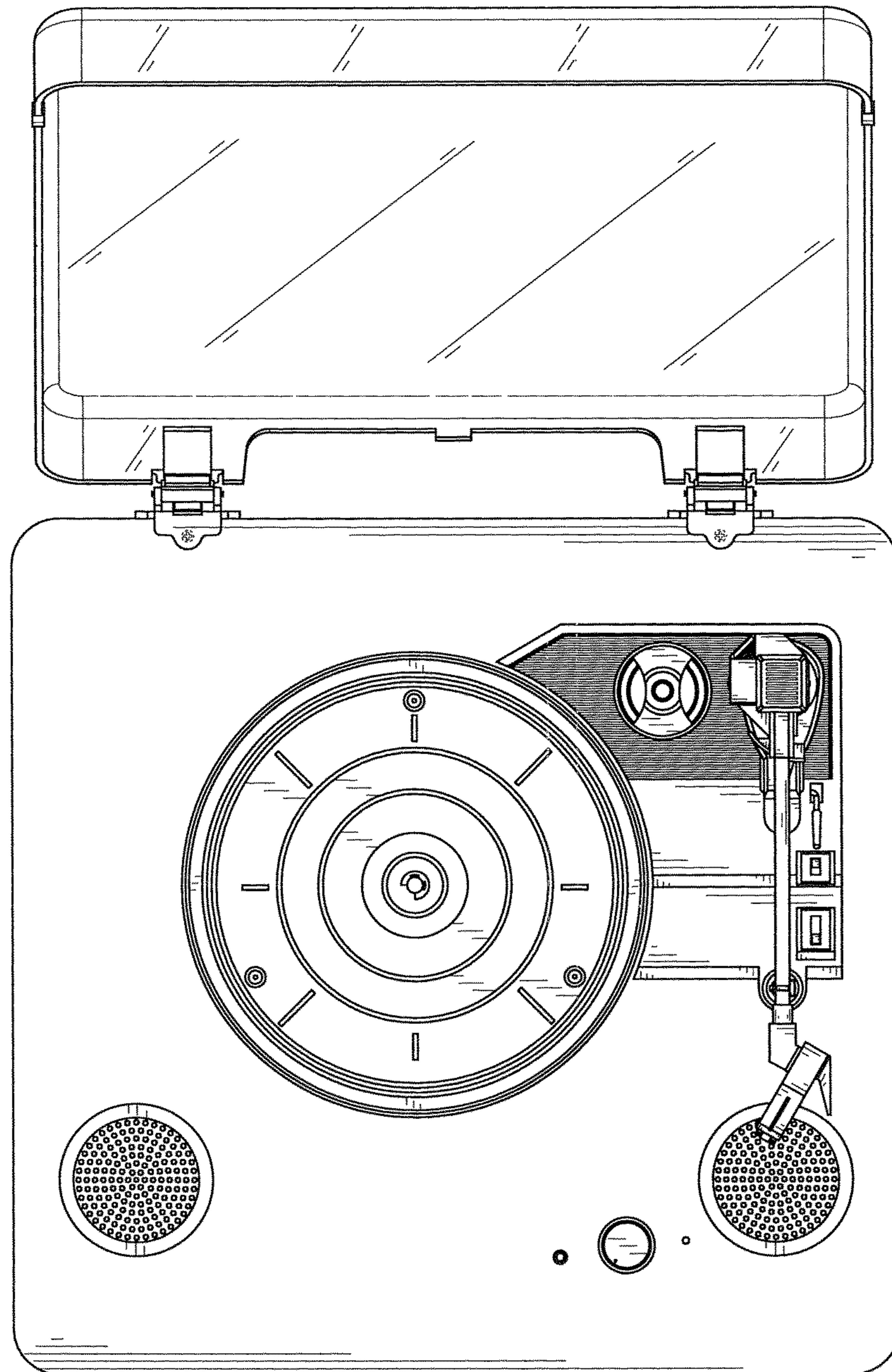


FIG. 7

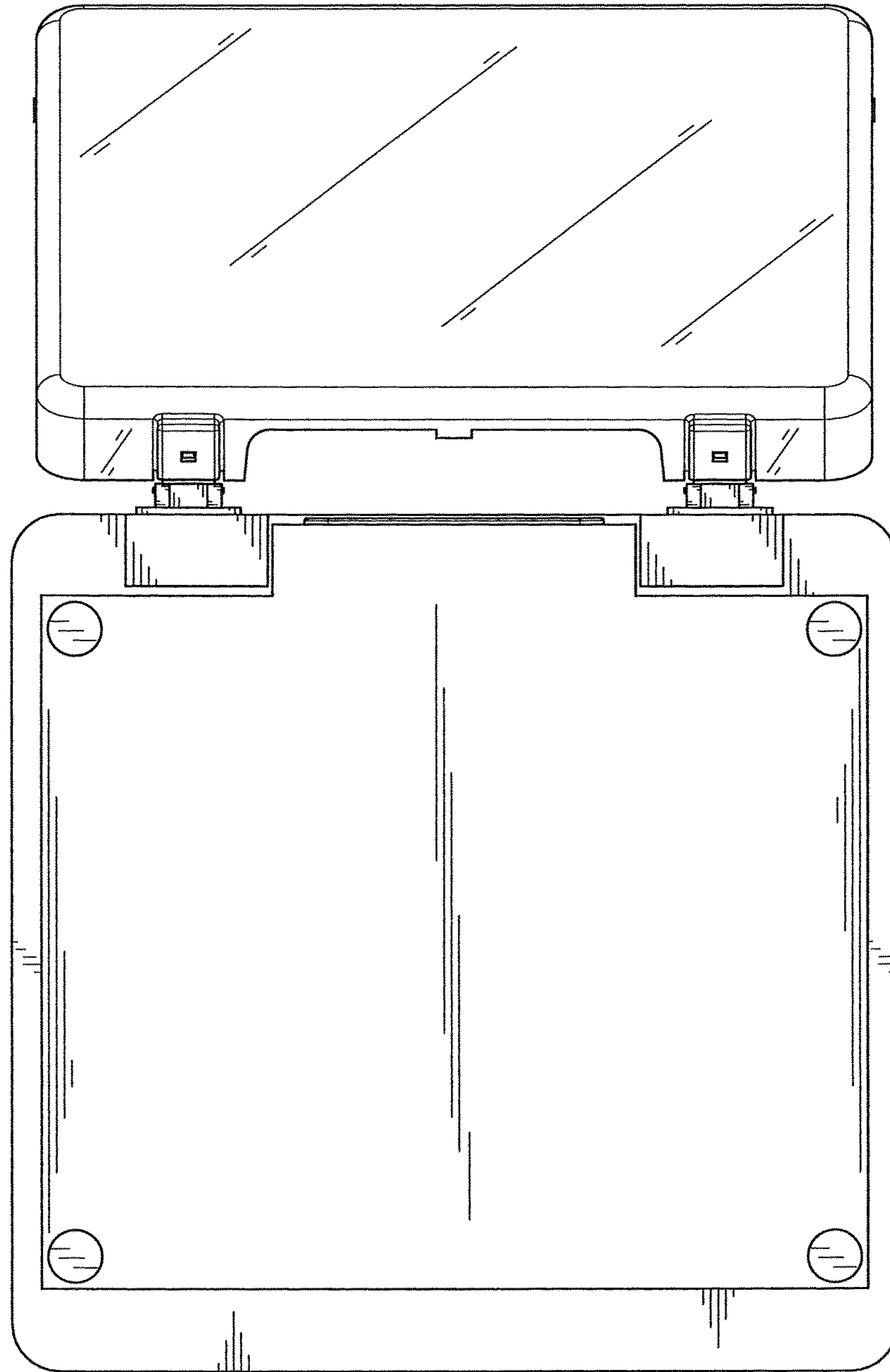


FIG. 8

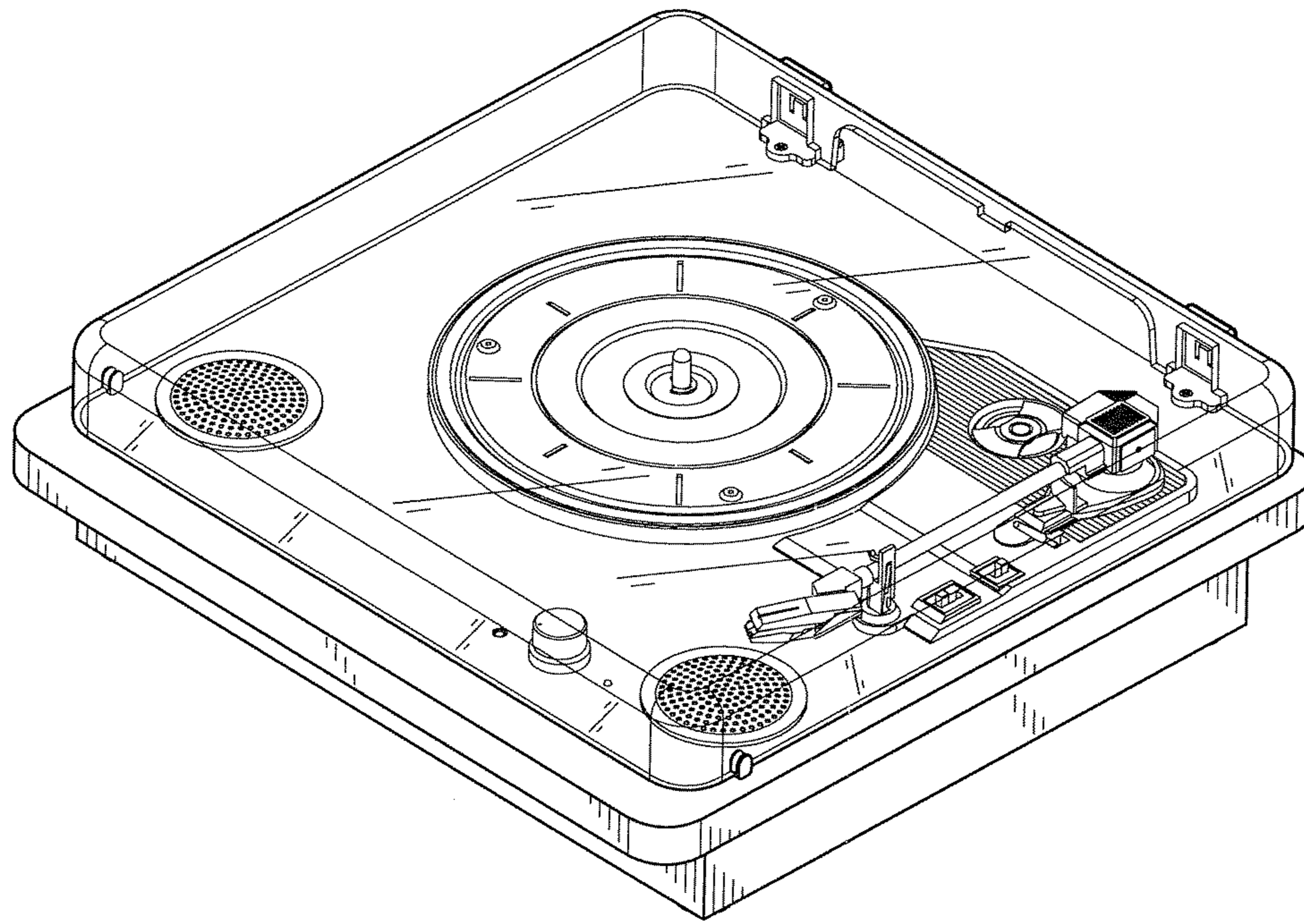


FIG. 9