



US00D898696S

(12) **United States Design Patent**
Du

(10) **Patent No.:** **US D898,696 S**
(45) **Date of Patent:** **** Oct. 13, 2020**

(54) **BLUETOOTH FM TRANSMITTER**

(71) Applicant: **DONGGUAN PINMI ELECTRONIC TECHNOLOGY CO., LTD**, Dongguan (CN)

(72) Inventor: **Zhanyuan Du**, Kaifeng (CN)

(73) Assignee: **DONGGUAN PINMI ELECTRONIC TECHNOLOGY CO., LTD**, Dongguan (CN)

(**) Term: **15 Years**

(21) Appl. No.: **29/706,237**

(22) Filed: **Sep. 19, 2019**

(51) **LOC (12) Cl.** **14-03**

(52) **U.S. Cl.**
USPC **D14/155**

(58) **Field of Classification Search**
USPC D14/167, 154, 168, 188, 496, 156, 160, D14/161, 162, 163, 164, 165, 158, 341, D14/346, 342, 345, 137, 155, 218, 225; D16/208; D26/38; 455/351, 350; D10/104.1, 106, 65
CPC H04B 1/385; H04M 1/6091; H04M 1/6066
See application file for complete search history.

(56) **References Cited**

U.S. PATENT DOCUMENTS

D522,992 S * 6/2006 Dayan D14/155
D538,775 S * 3/2007 Dayan D14/155

D541,254 S * 4/2007 Dayan D14/155
D548,719 S * 8/2007 Dayan D14/155
D550,197 S * 9/2007 Dayan D14/155
D802,536 S * 11/2017 Shang D13/144
D805,496 S * 12/2017 Yin D14/155
D864,144 S * 10/2019 Du D14/155
D871,362 S * 12/2019 Tang D14/155
D871,363 S * 12/2019 Tang D14/155
D873,233 S * 1/2020 Du D14/155
D873,234 S * 1/2020 Du D14/155

* cited by examiner

Primary Examiner — Austin Murphy

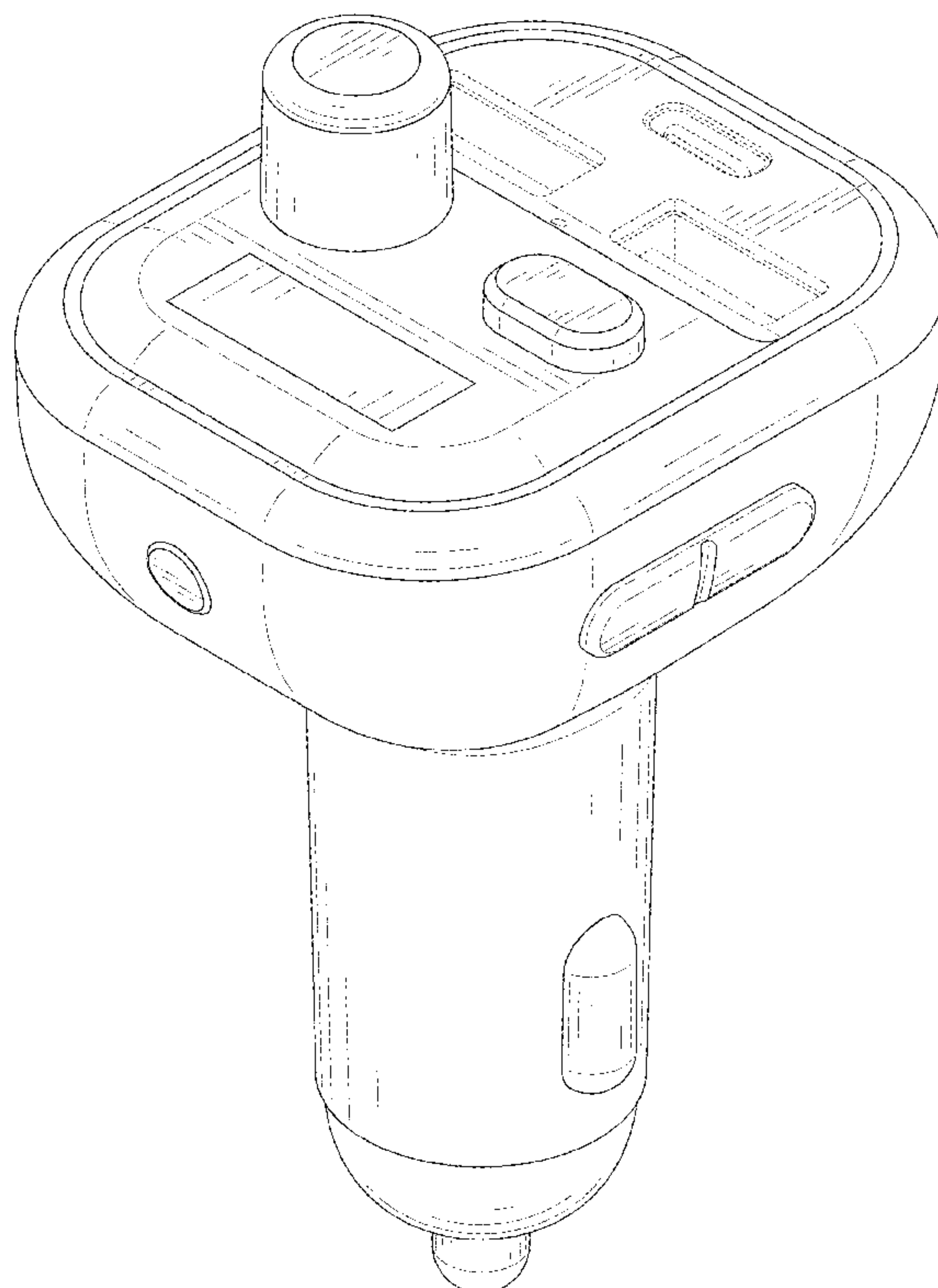
(57) **CLAIM**

The ornamental design for a Bluetooth FM transmitter, as shown and described.

DESCRIPTION

FIG. 1 is a perspective view of a Bluetooth FM transmitter showing my new design;
FIG. 2 is another perspective view thereof;
FIG. 3 is a front elevational view thereof;
FIG. 4 is a rear elevational view thereof;
FIG. 5 is a left side elevational view thereof;
FIG. 6 is a right side elevational view thereof;
FIG. 7 is a top plan view thereof; and,
FIG. 8 is a bottom plan view thereof.
The broken lines in the drawings depict portions of the Bluetooth FM transmitter that form no part of the claimed design.

1 Claim, 8 Drawing Sheets



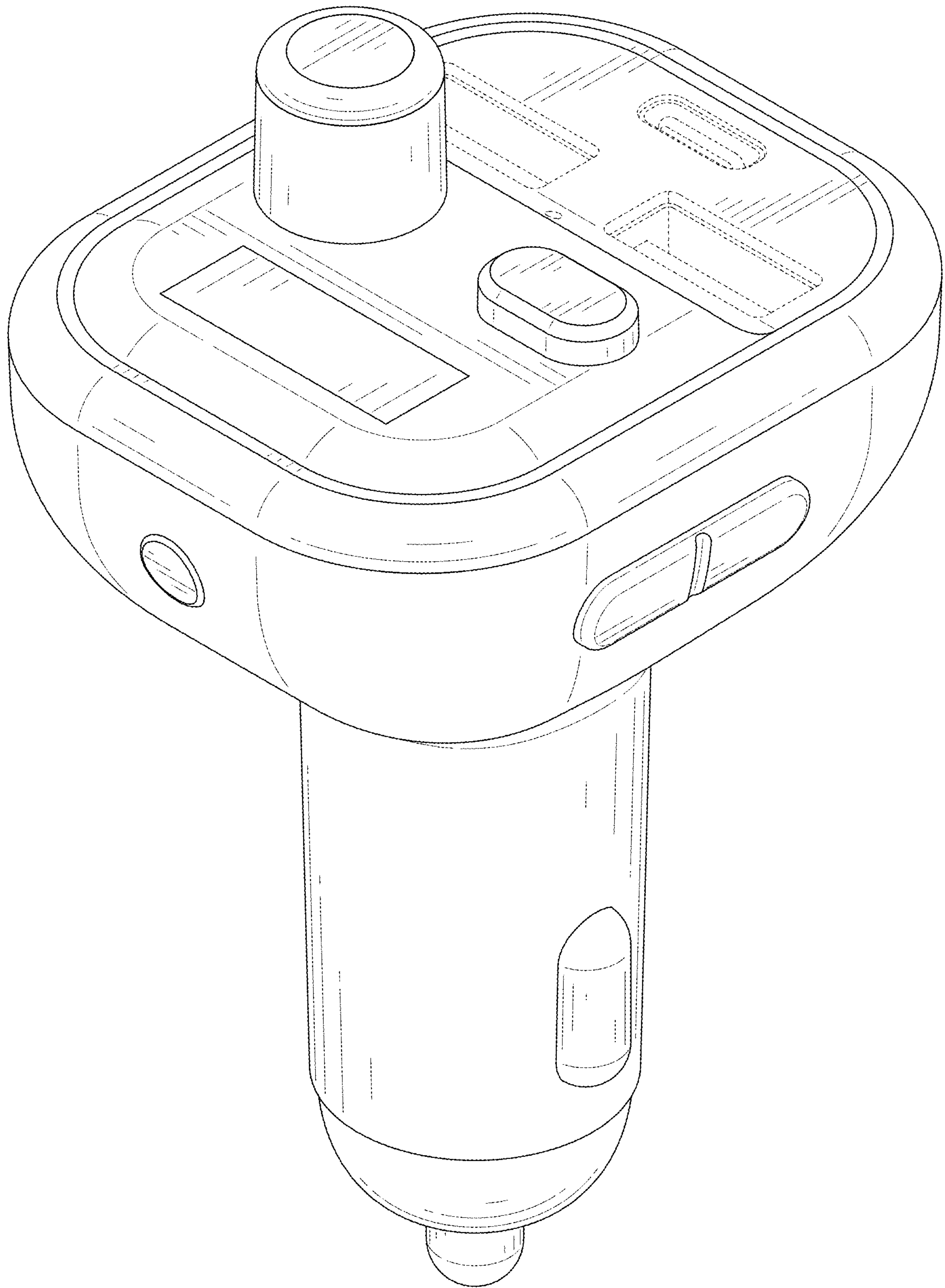


FIG. 1

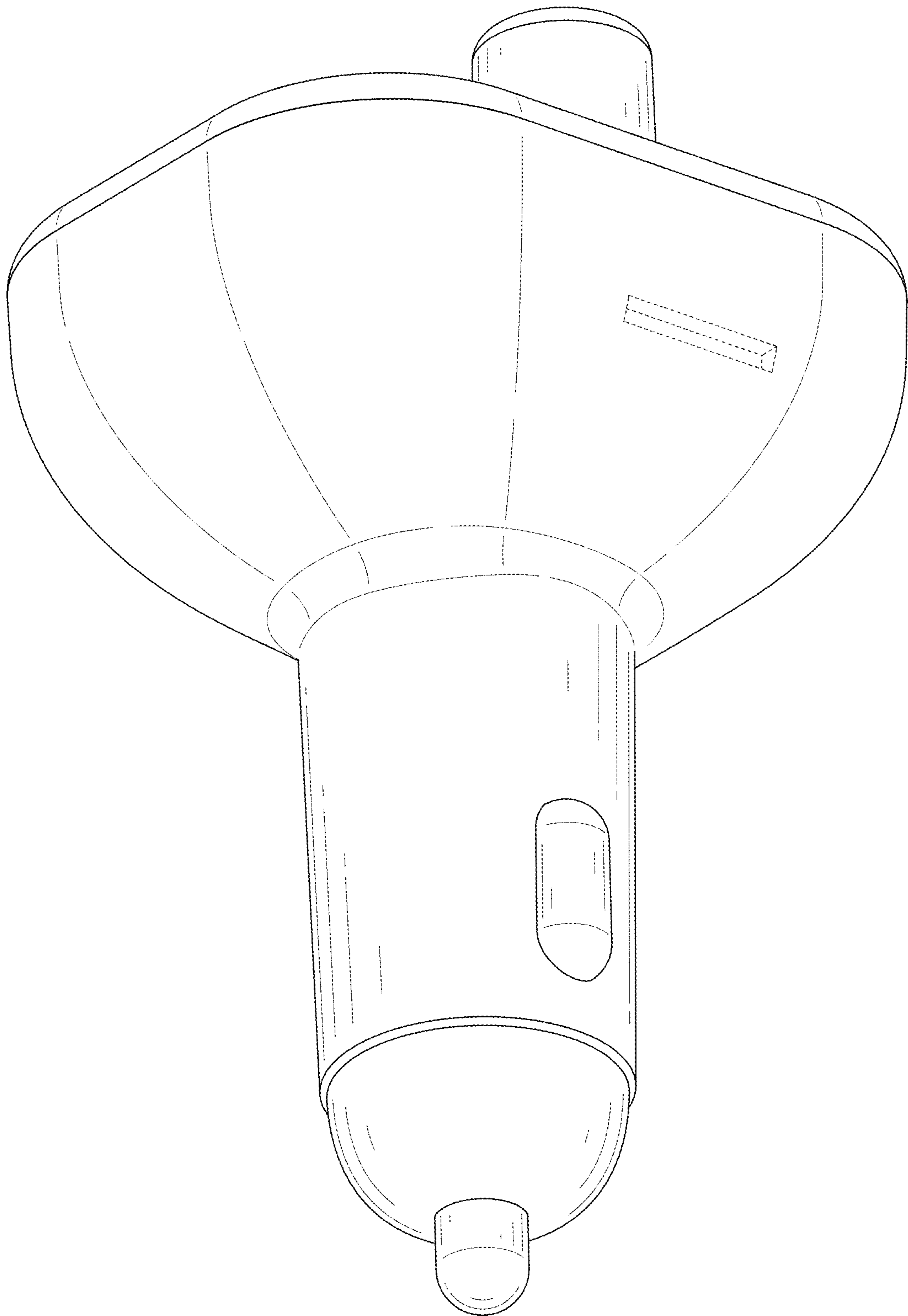


FIG. 2

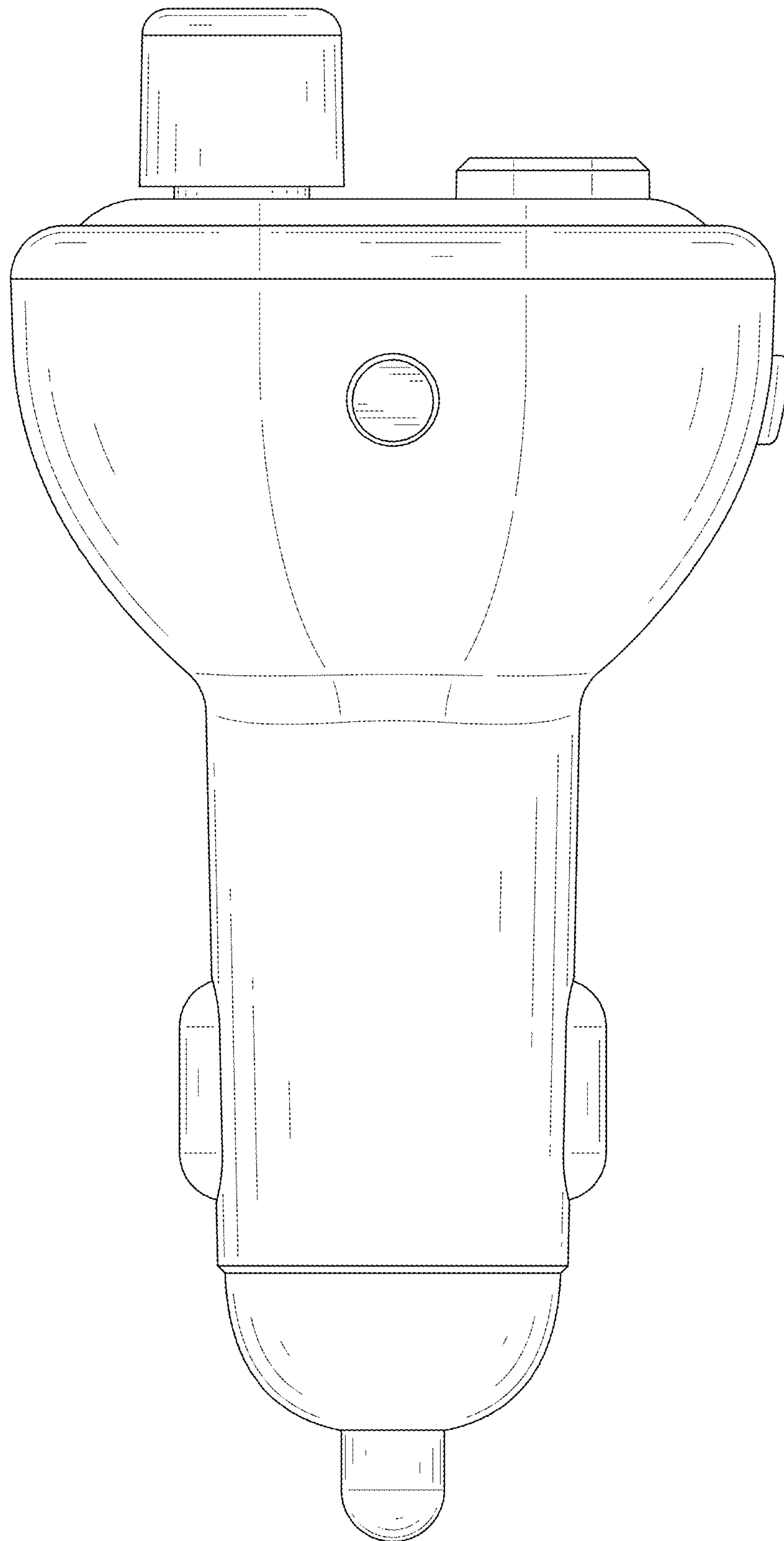


FIG. 3

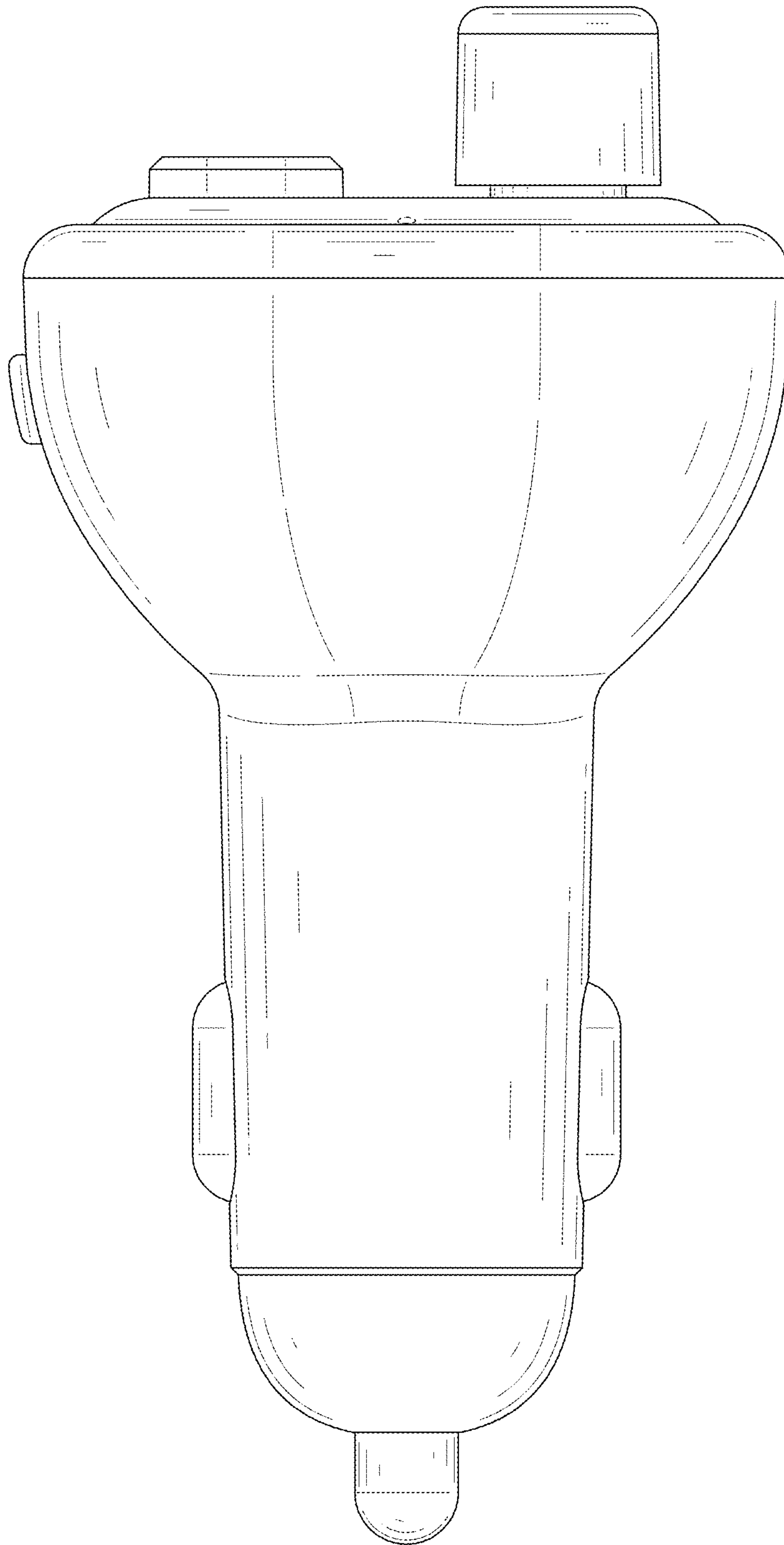


FIG. 4

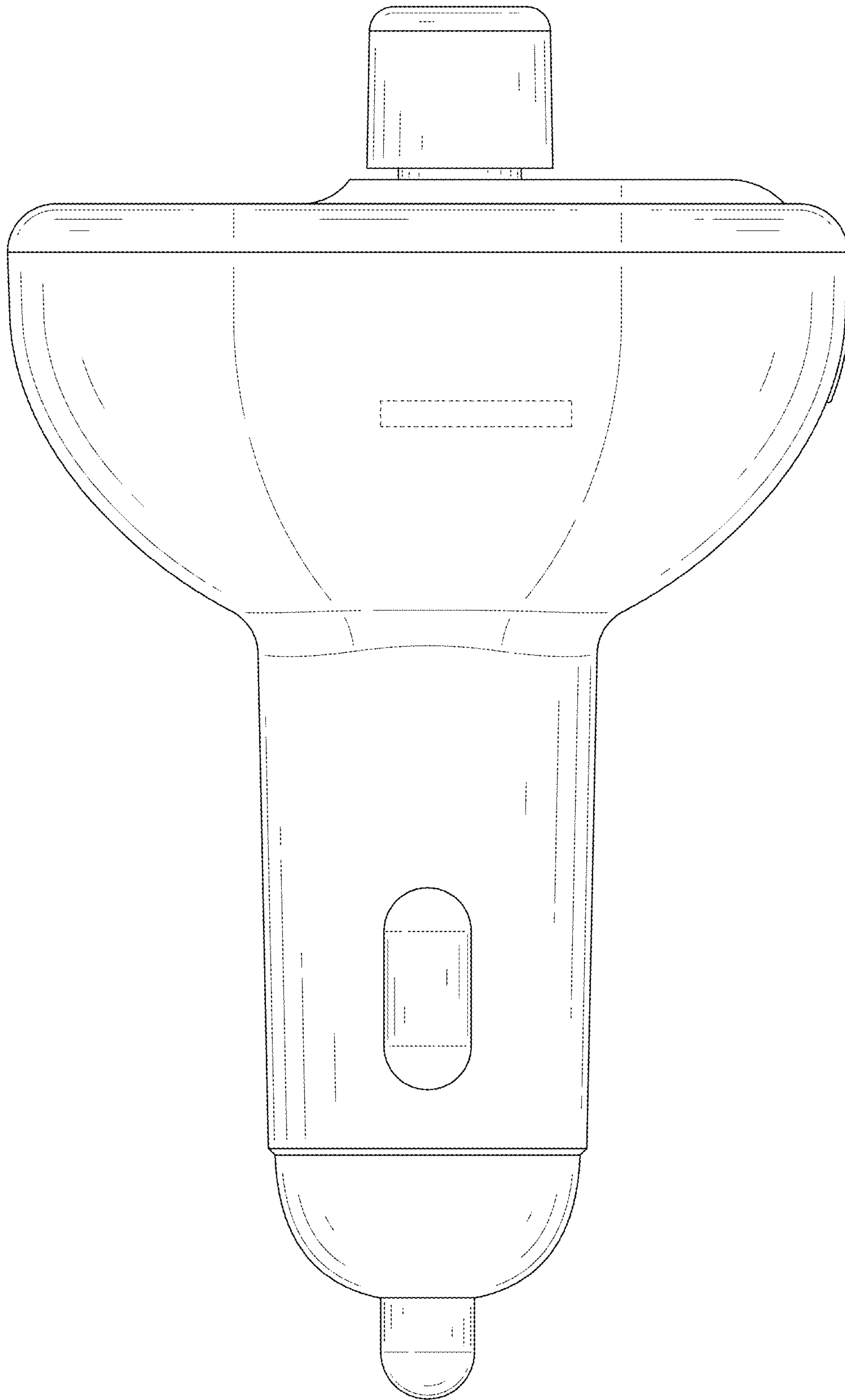


FIG. 5

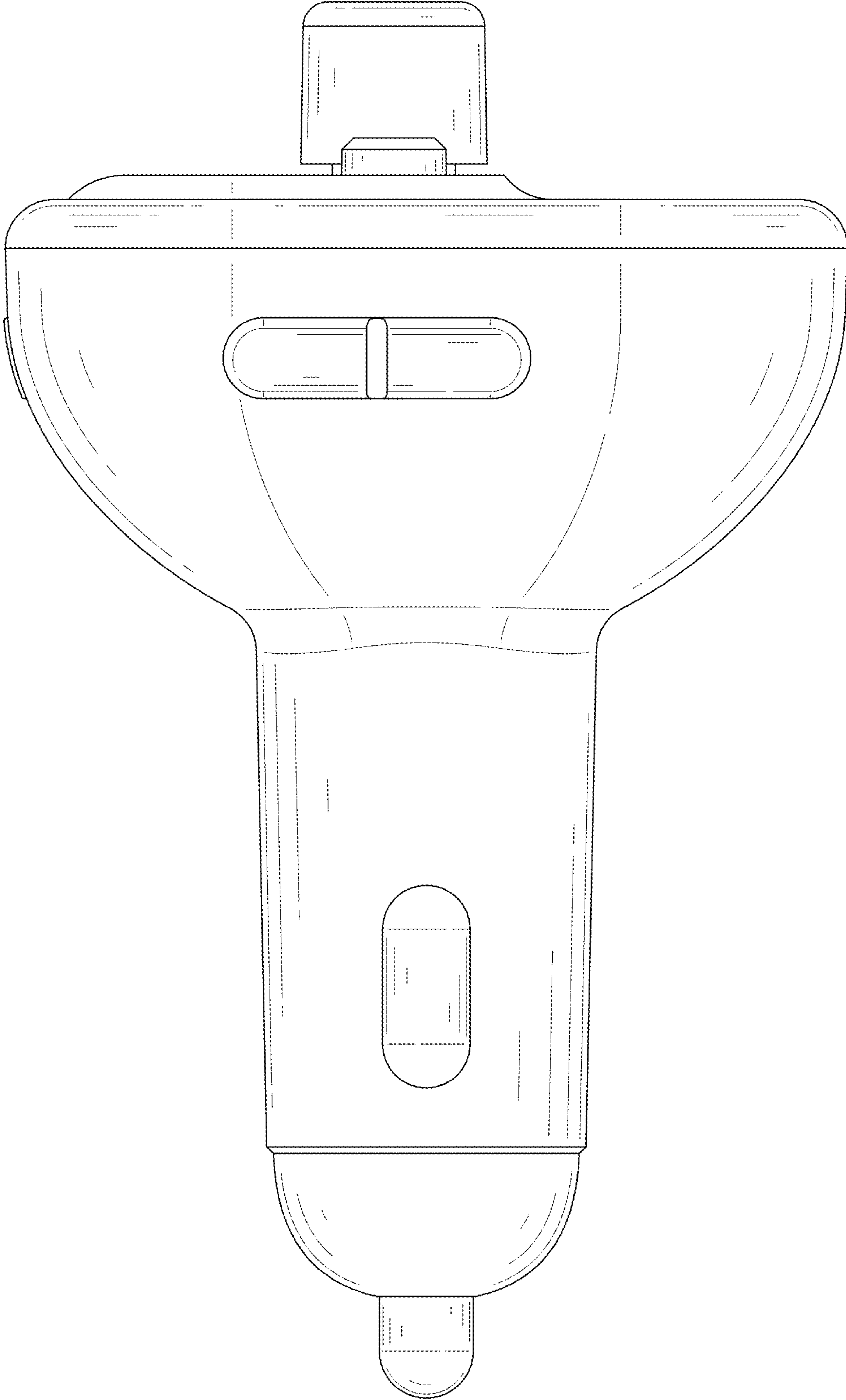


FIG. 6

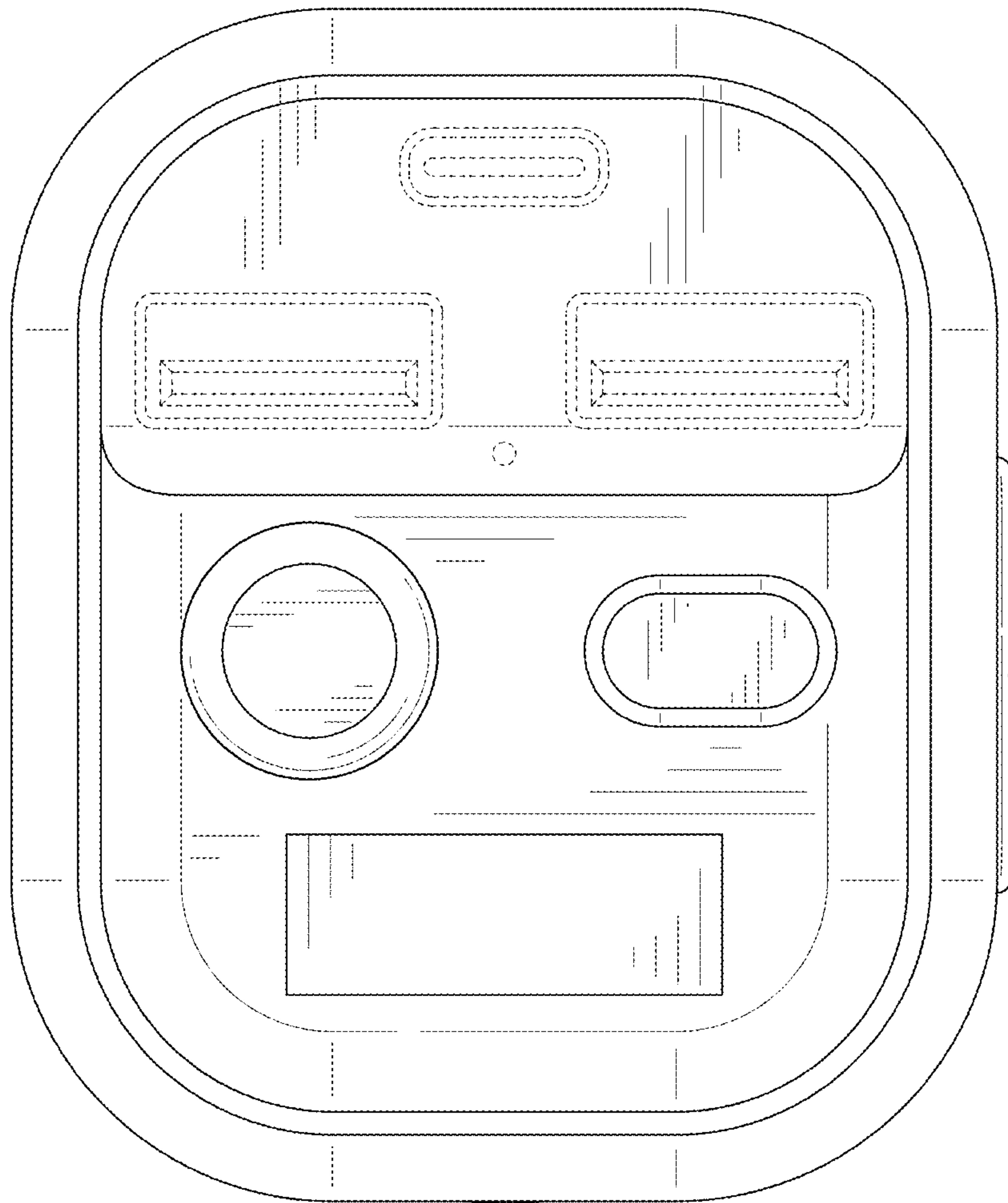


FIG. 7

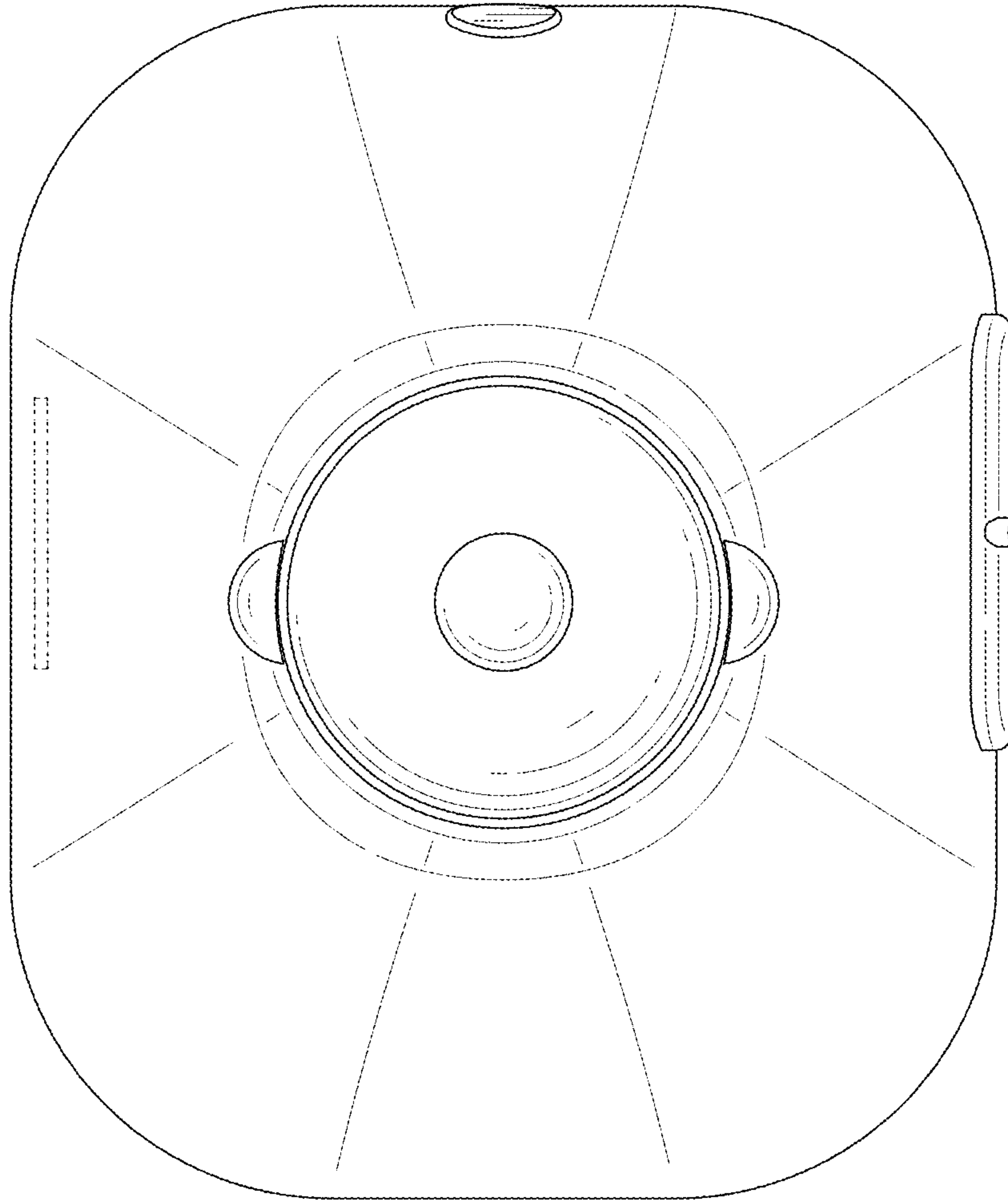


FIG. 8