



US00D898695S

(12) **United States Design Patent** (10) **Patent No.:** **US D898,695 S**
Wang (45) **Date of Patent:** **** Oct. 13, 2020**

(54) **CAR MP3 PLAYER**
(71) Applicant: **SHENZHEN GXY ELECTRONIC CO., LTD.**, Longhua District, Shenzhen (CN)

(72) Inventor: **Weian Wang**, Shenzhen (CN)

(73) Assignee: **SHENZHEN GXY ELECTRONIC CO., LTD.**, Shenzhen (CN)

(**) Term: **15 Years**

(21) Appl. No.: **29/692,556**

(22) Filed: **May 27, 2019**

(51) **LOC (12) Cl.** **14-03**

(52) **U.S. Cl.**
USPC **D14/155**; D14/496

(58) **Field of Classification Search**
USPC ... D14/137, 155, 157, 167, 168, 188, 203.1, D14/203.3, 203.4, 203.6, 217, 496; D13/108, 110, 144
CPC H04B 1/034; H04B 1/3822; H04B 1/3827; H04M 1/6091; H04M 1/6083; H04M 1/6066
See application file for complete search history.

(56) **References Cited**

U.S. PATENT DOCUMENTS

D795,832 S *	8/2017	Du	D14/155
D796,470 S *	9/2017	Du	D14/155
D800,685 S *	10/2017	Xiao	D14/155
D805,496 S *	12/2017	Yin	D14/155
D808,430 S *	1/2018	Wang	D14/496
D808,919 S *	1/2018	Yin	D14/155
D808,920 S *	1/2018	Yin	D14/155
D820,803 S *	6/2018	Hu	D14/155
D836,593 S *	12/2018	Hu	D14/155
D840,937 S *	2/2019	Wang	D13/144

D842,261 S *	3/2019	Chen	D14/155
D885,361 S *	5/2020	Wang	D14/155
2012/0264415 A1 *	10/2012	Baldini	H04W 4/00 455/420

FOREIGN PATENT DOCUMENTS

CN 305195712 * 6/2019

OTHER PUBLICATIONS

GXYKIT 2019 G24 QC3.0 charger Color LCD bluetooth fm transmitter wireless handsfree car mp3 player with 2 inch screen, online, no post date, URL: https://www.alibaba.com/product-detail/GXYKIT-2019-G24-QC3-0-charger_62129213168.html, retrieved Jun. 3, 2020.*

* cited by examiner

Primary Examiner — Jeffrey D Asch
Assistant Examiner — Rebekah A Caruso

(74) *Attorney, Agent, or Firm* — Law Offices of Steven W. Weinrieb

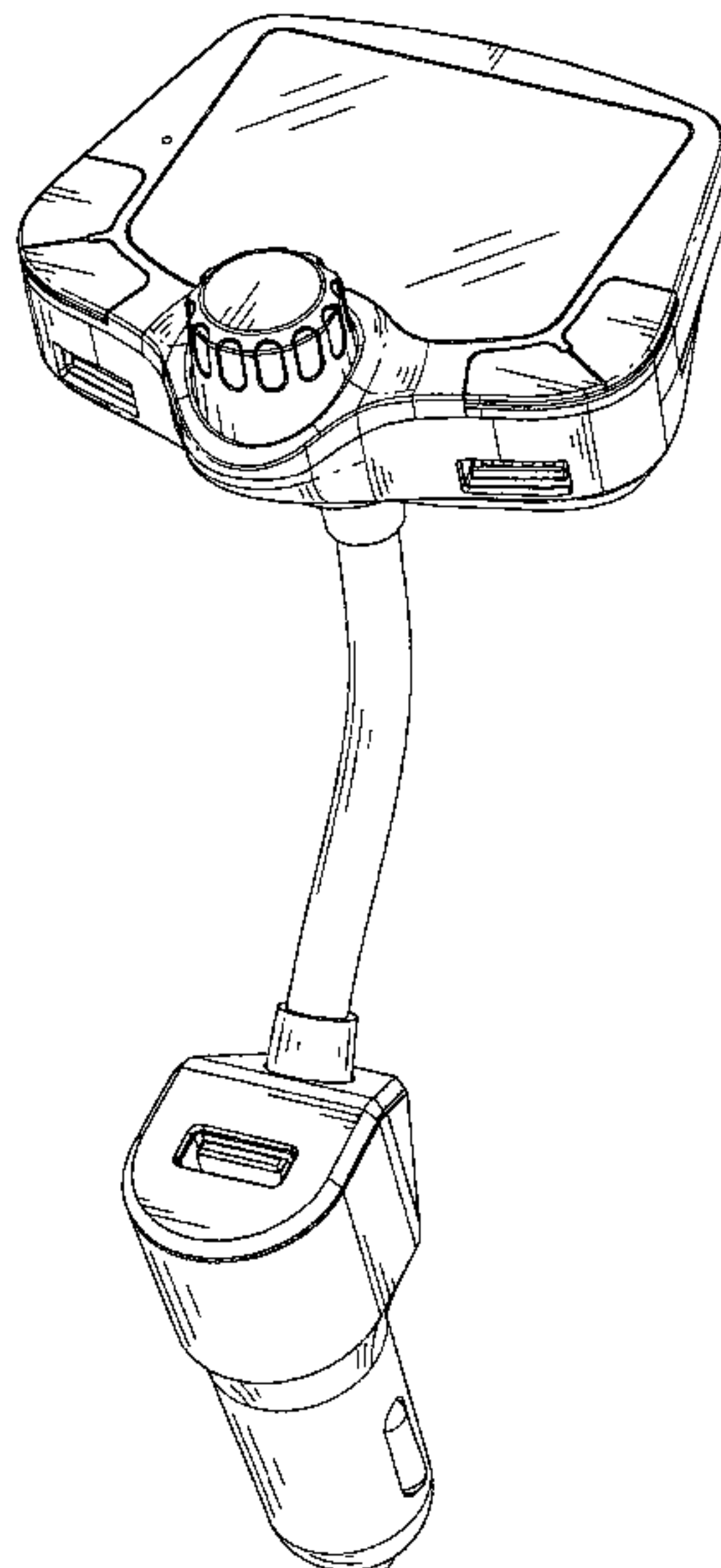
(57) **CLAIM**

The ornamental design for a car MP3 player, as shown and described.

DESCRIPTION

FIG. 1 is a front, right side, top perspective view of a car MP3 player showing my new design;
FIG. 2 is a rear, left side, bottom perspective view thereof;
FIG. 3 is a top plan view thereof
FIG. 4 is a bottom plan view thereof;
FIG. 5 is a left side elevational view thereof;
FIG. 6 is a right side elevational view thereof;
FIG. 7 is a rear elevational view thereof; and,
FIG. 8 is a front elevational view thereof.

1 Claim, 8 Drawing Sheets



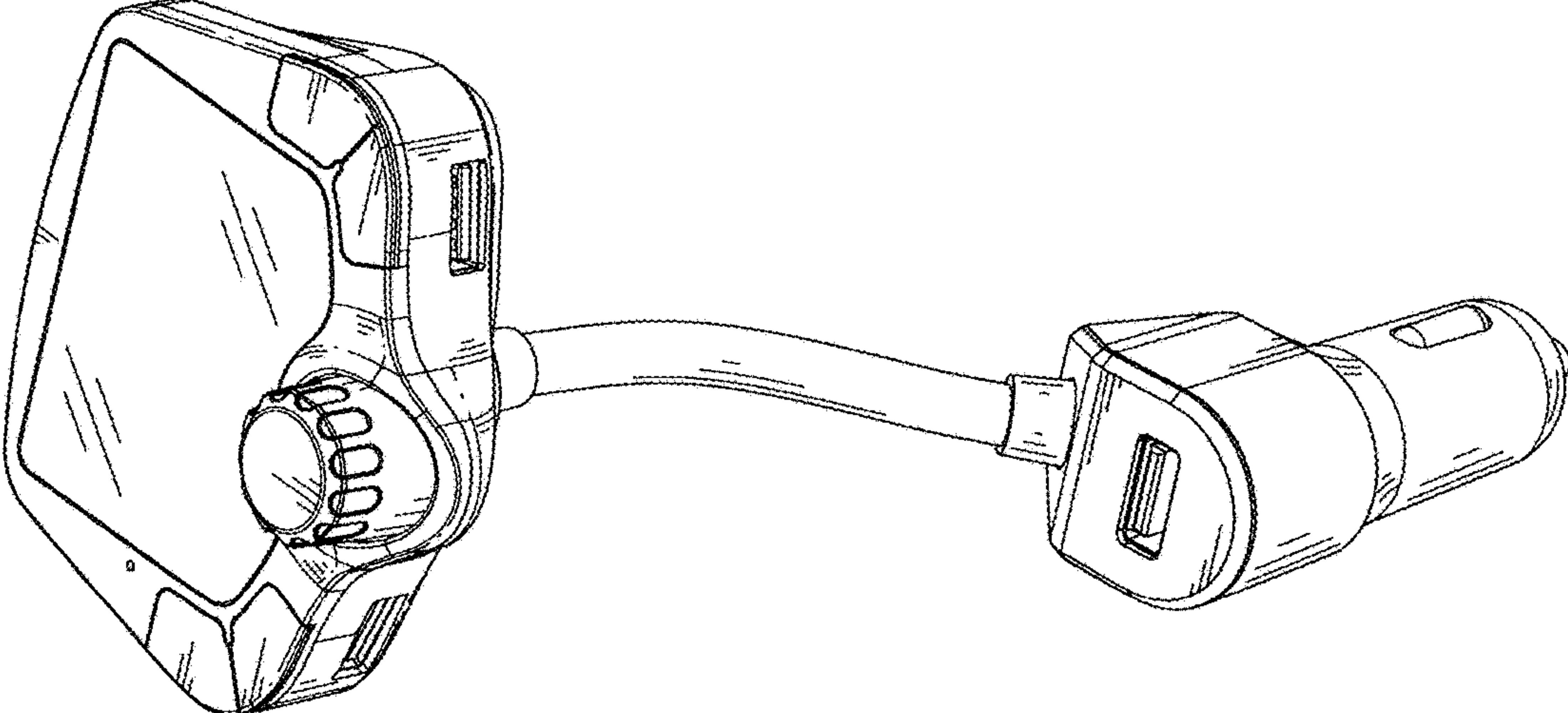


FIG.1

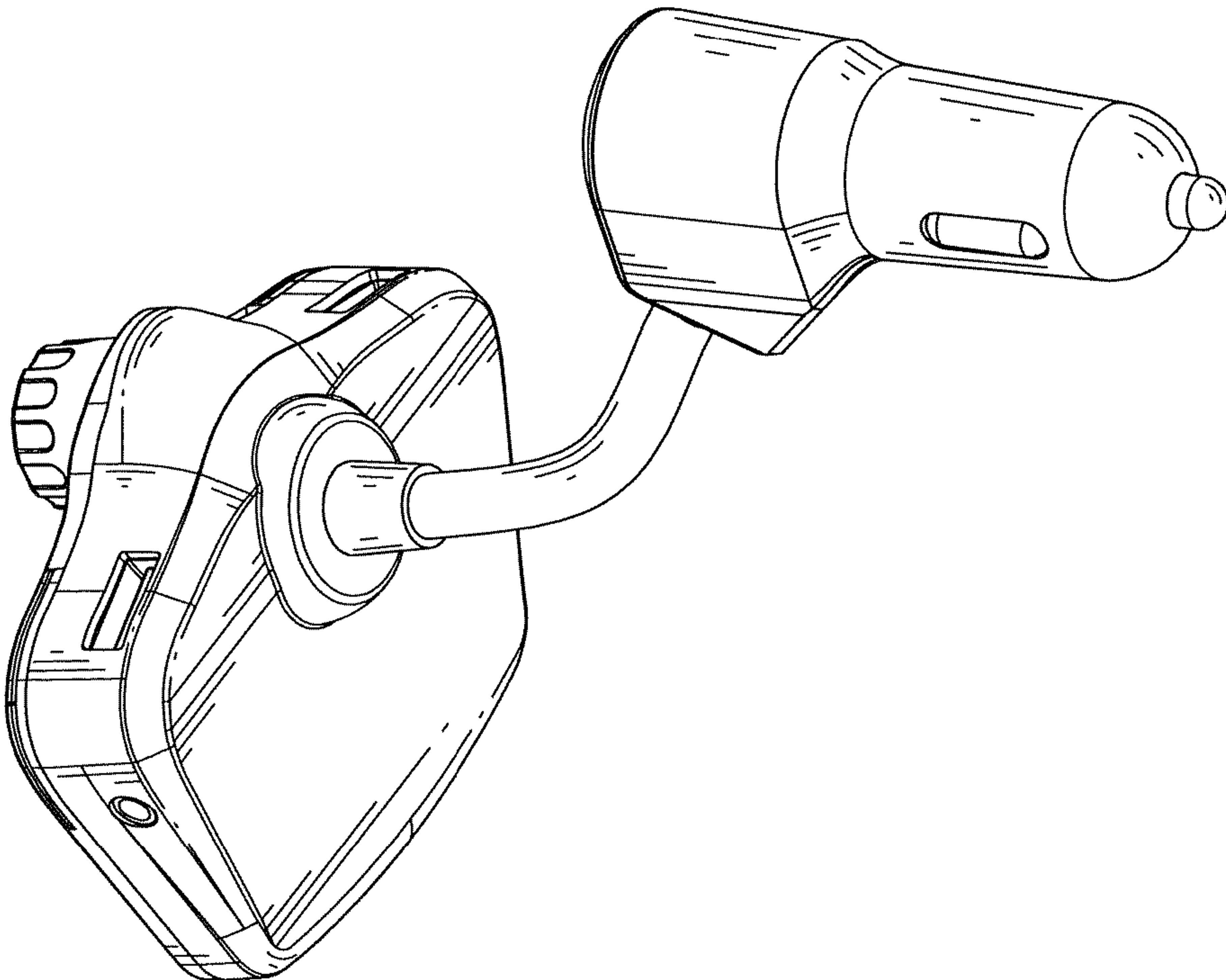


FIG. 2

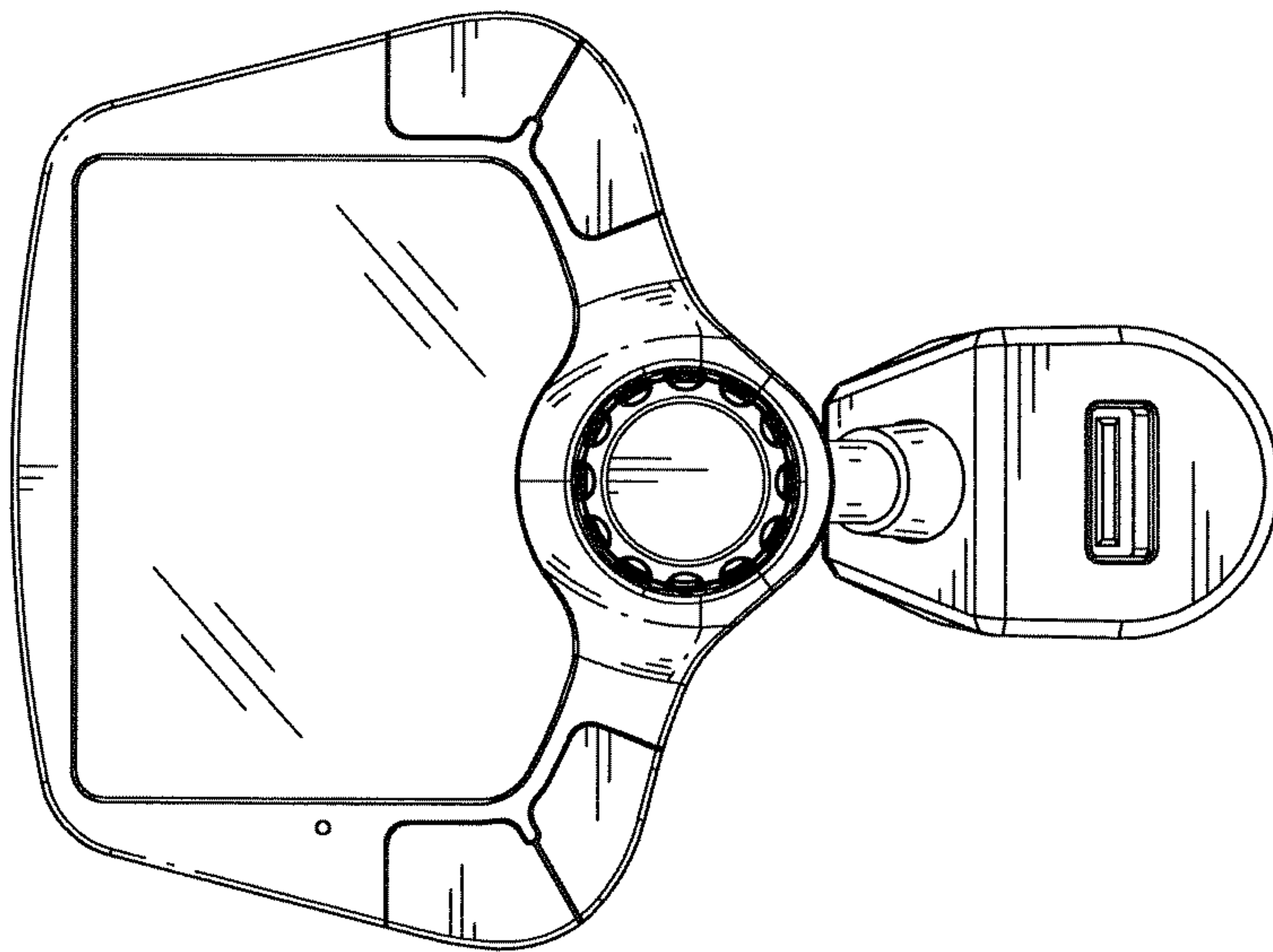


FIG. 3

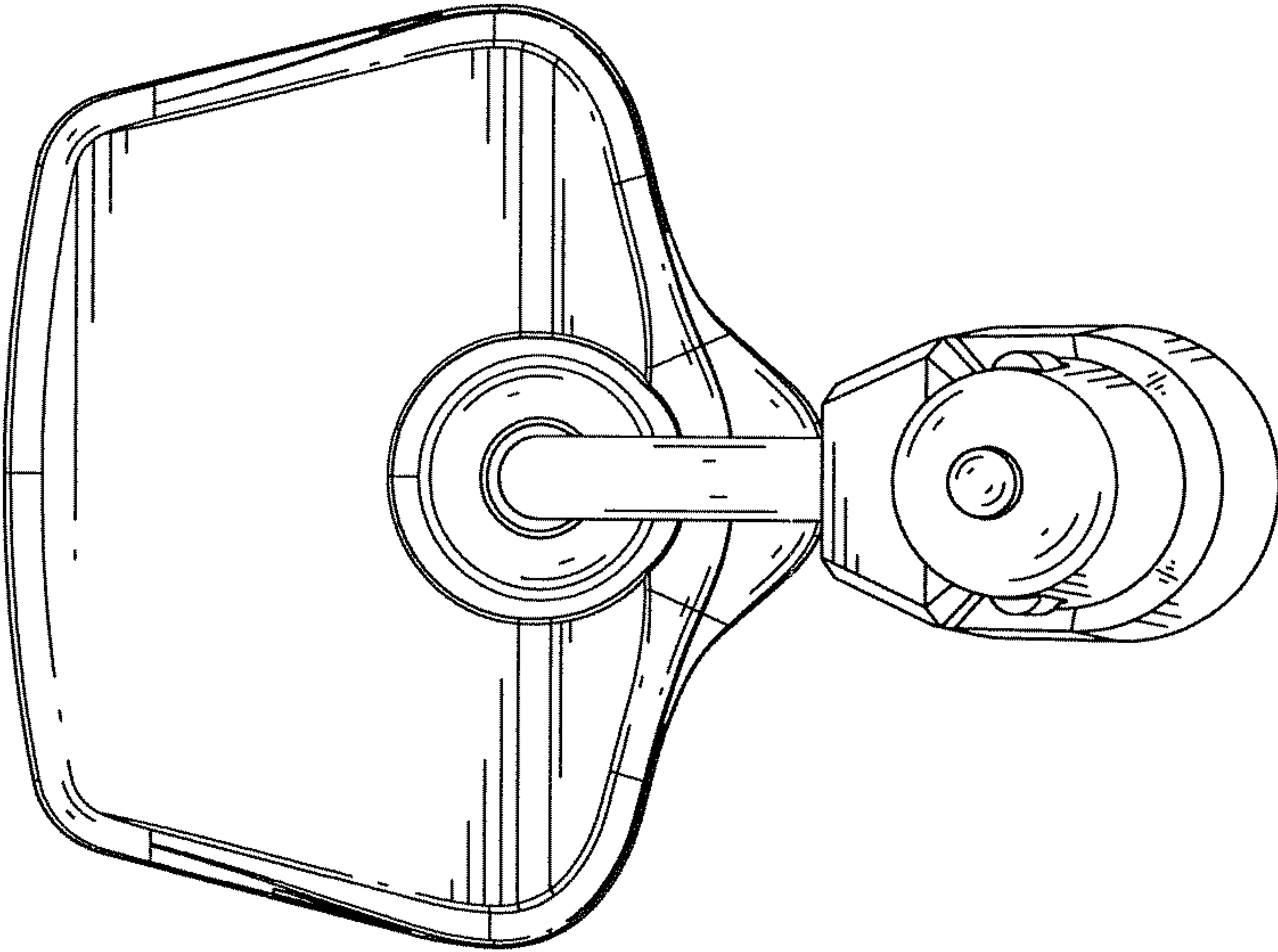


FIG.4

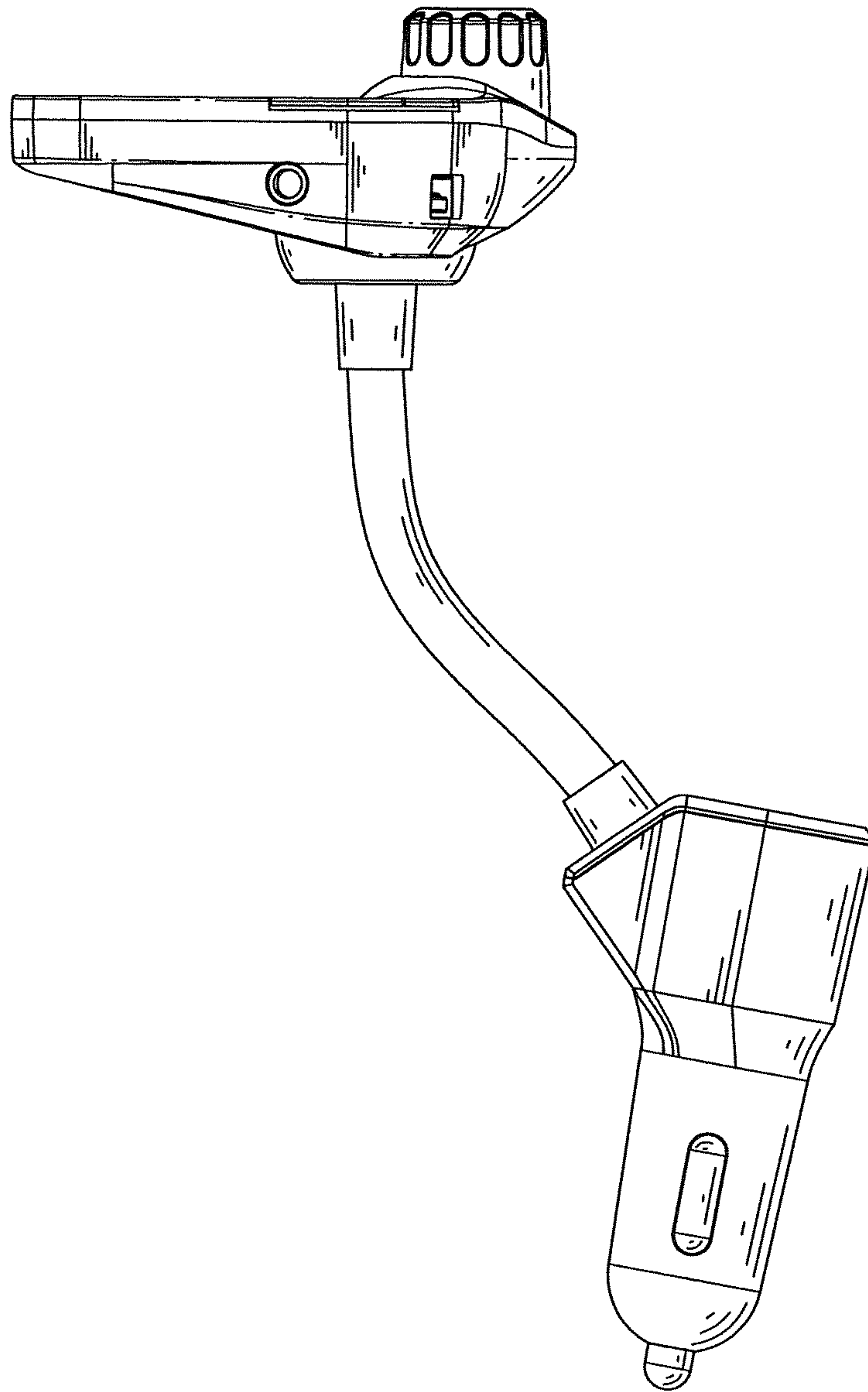


FIG.5

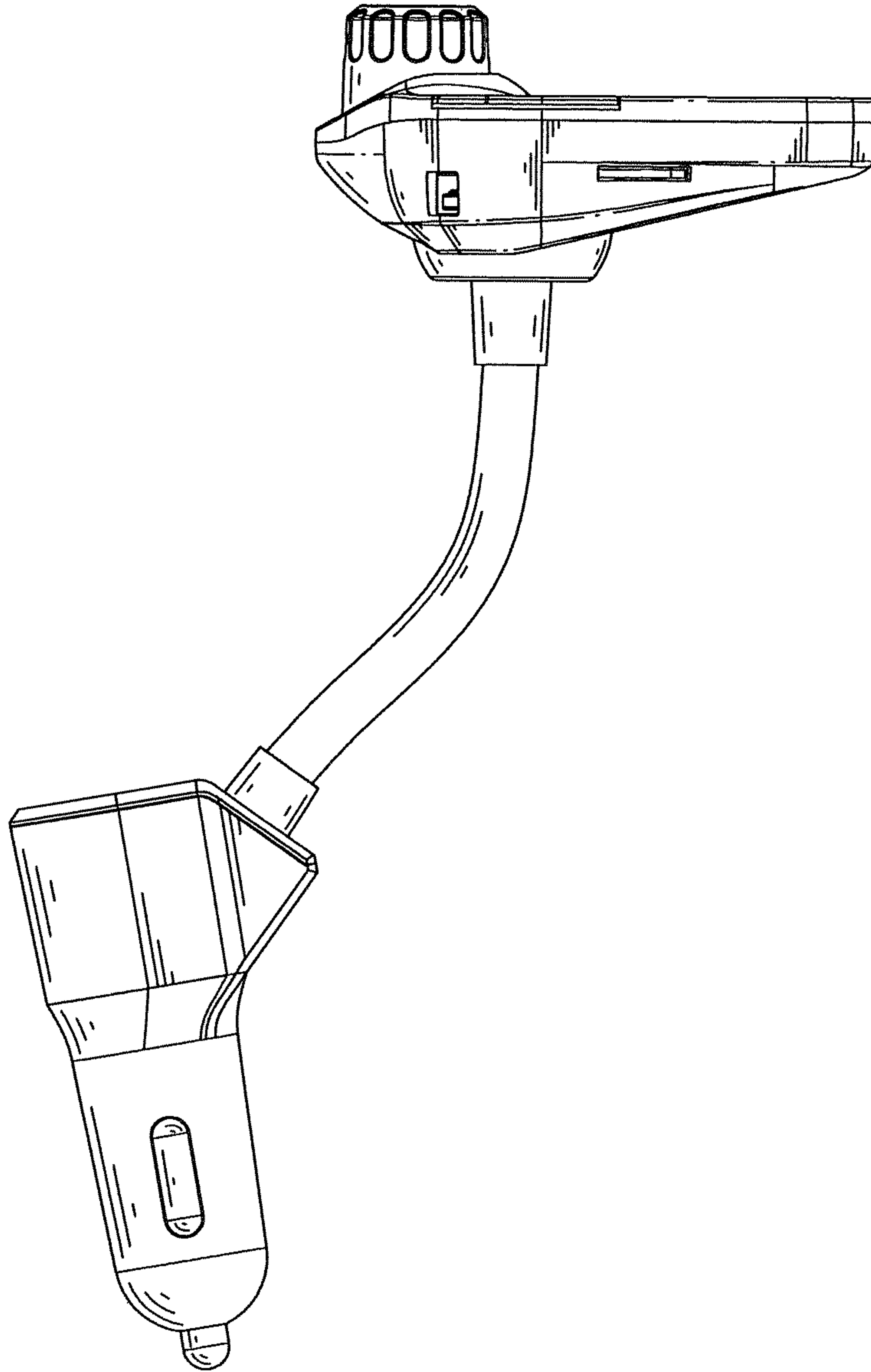


FIG.6

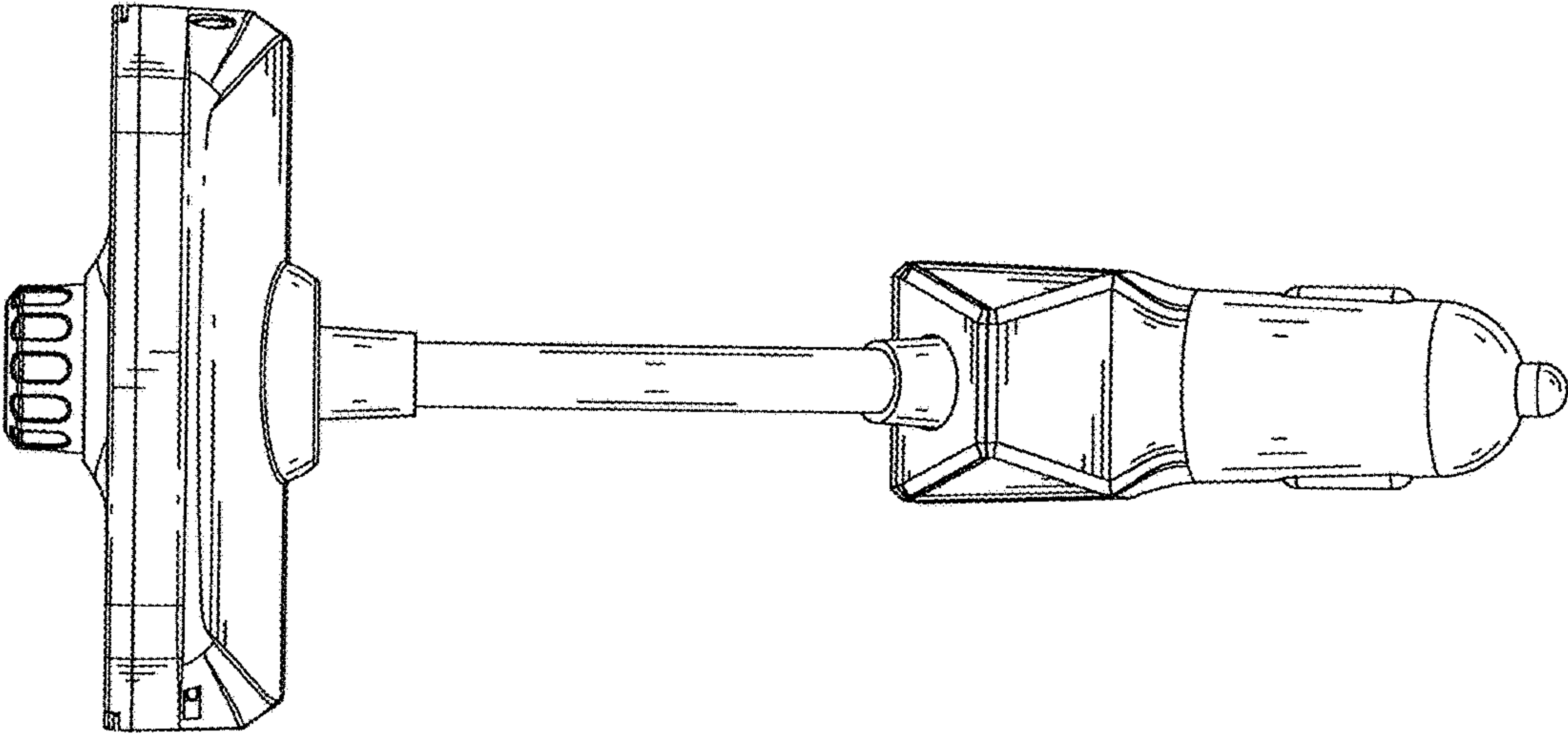


FIG. 7

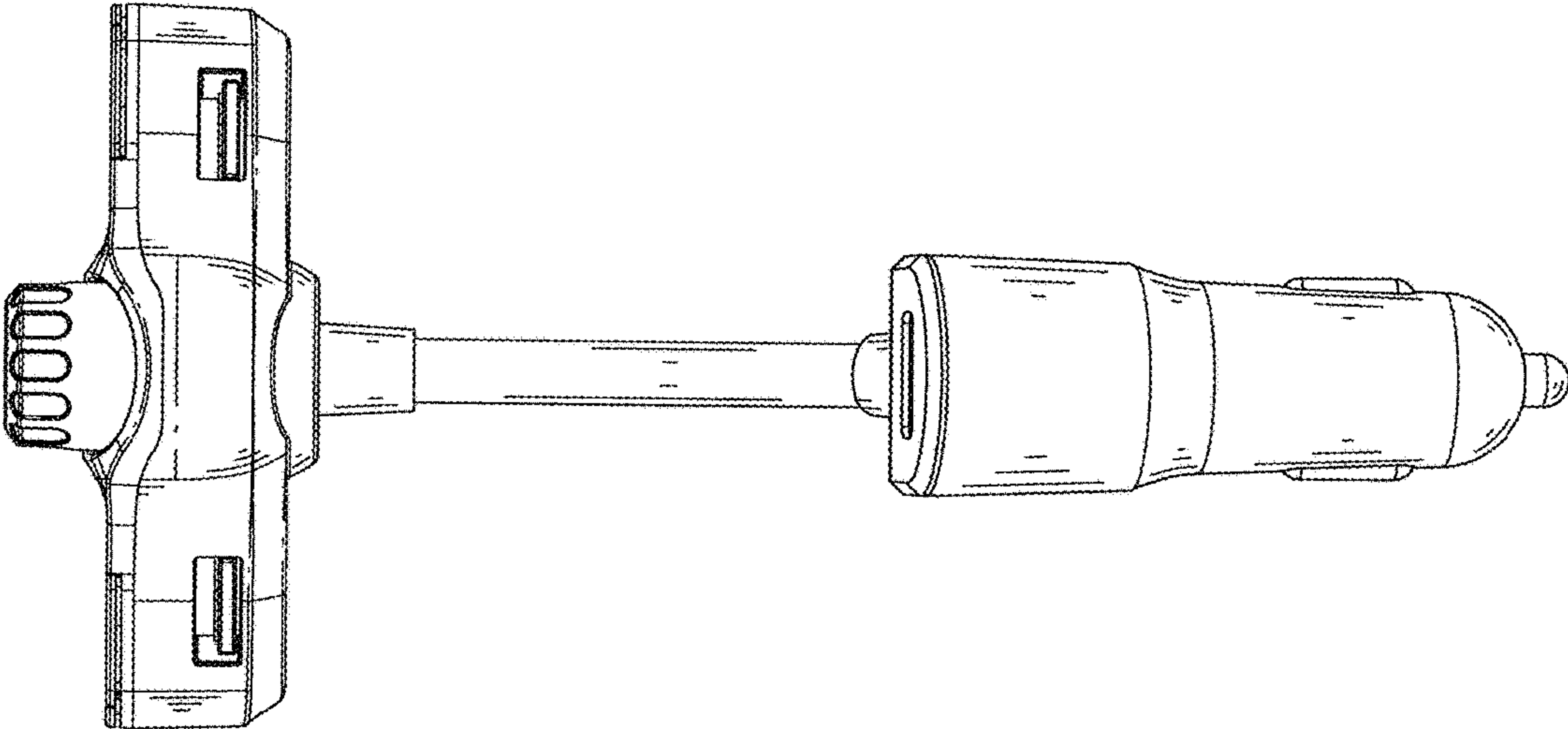


FIG. 8