



US00D898690S

(12) **United States Design Patent**
Lan

(10) **Patent No.:** **US D898,690 S**

(45) **Date of Patent:** **** Oct. 13, 2020**

(54) **DOOR CONTROLLER**

(71) Applicant: **TMT AUTOMATION INC.**, Taipei (TW)

(72) Inventor: **Hung-Wei Lan**, Taipei (TW)

(73) Assignee: **TMT AUTOMATION INC.**, Taipei (TW)

(**) Term: **15 Years**

(21) Appl. No.: **29/692,222**

(22) Filed: **May 23, 2019**

(51) **LOC (12) Cl.** **14-03**

(52) **U.S. Cl.**
USPC **D14/137; D14/240; D13/162**

(58) **Field of Classification Search**
USPC D13/162, 168; D14/125, 126, 137, 139,
D14/155, 218, 240, 242, 243, 250, 255,
D14/256, 356, 357, 358, 433, 438;
D10/104.1
CPC H01Q 1/242; H04B 1/086; H04B 1/38;
H04B 1/3833; H04B 1/3816; H04B
1/3827; H04M 1/0202; H04M 1/03;
H04M 1/035; H04W 76/005; G01S 1/68;
G05B 15/02; H04L 63/083; H04L 63/105;
H05K 7/20; H05K 7/20154
See application file for complete search history.

(56) **References Cited**

U.S. PATENT DOCUMENTS

D409,203 S * 5/1999 Morimiya D14/230
D460,452 S * 7/2002 Yoshie D14/358

D478,577 S * 8/2003 Kolls D14/240
D494,156 S * 8/2004 Chen D14/240
D638,827 S * 5/2011 Daniel D14/240
D704,175 S * 5/2014 Arvidsson D14/240
D734,306 S * 7/2015 Appleton D14/240
D841,610 S * 2/2019 Novin D14/137
D881,837 S * 4/2020 Xu D14/198
D888,699 S * 6/2020 Xiang D14/240
D889,448 S * 7/2020 Xiang D14/240
2017/0055135 A1 * 2/2017 Jimenez H04M 1/72519

* cited by examiner

Primary Examiner — Selina Sikder

(74) *Attorney, Agent, or Firm* — Chun-Ming Shih; HDLS IPR Services

(57) **CLAIM**

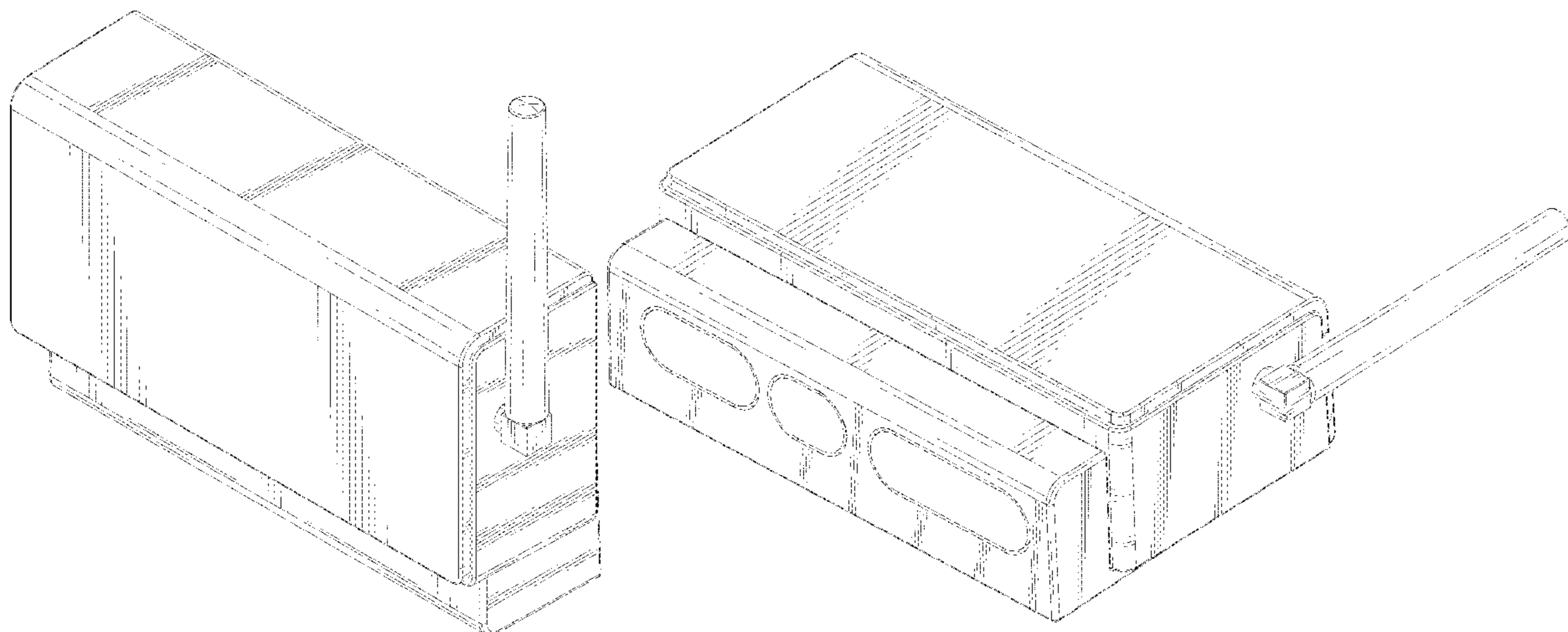
The ornamental design for a door controller, as shown and described.

DESCRIPTION

FIG. 1 is a perspective view of a door controller showing my new design;
FIG. 2 is a front view thereof;
FIG. 3 is a rear view thereof;
FIG. 4 is a left side view thereof;
FIG. 5 is a right side view thereof;
FIG. 6 is a top view thereof;
FIG. 7 is a bottom view thereof; and,
FIG. 8 is a second perspective view showing the door controller.

The broken lines in the drawings illustrate portions of the door controller that form no part of the claimed design.

1 Claim, 8 Drawing Sheets



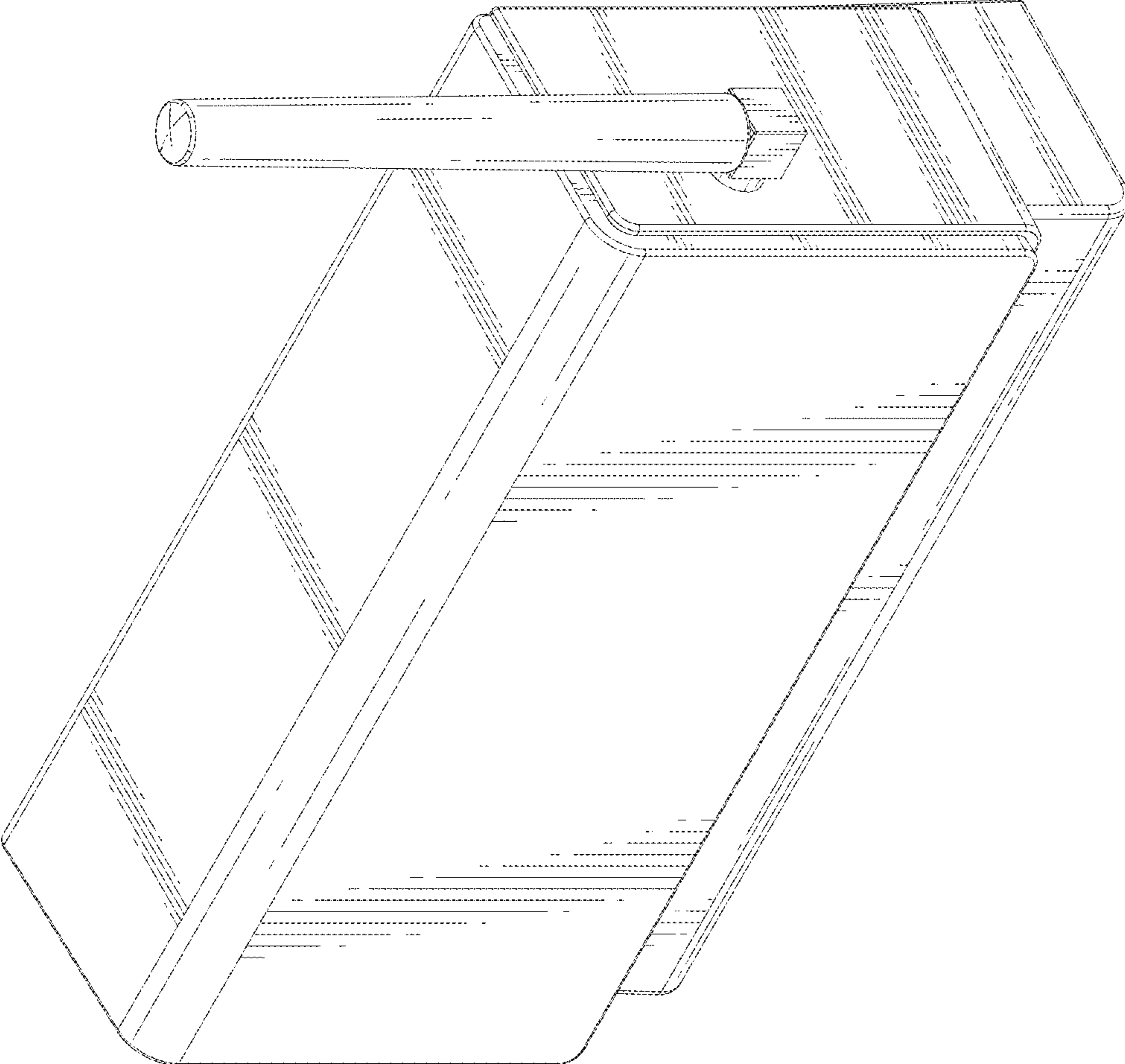


FIG.1

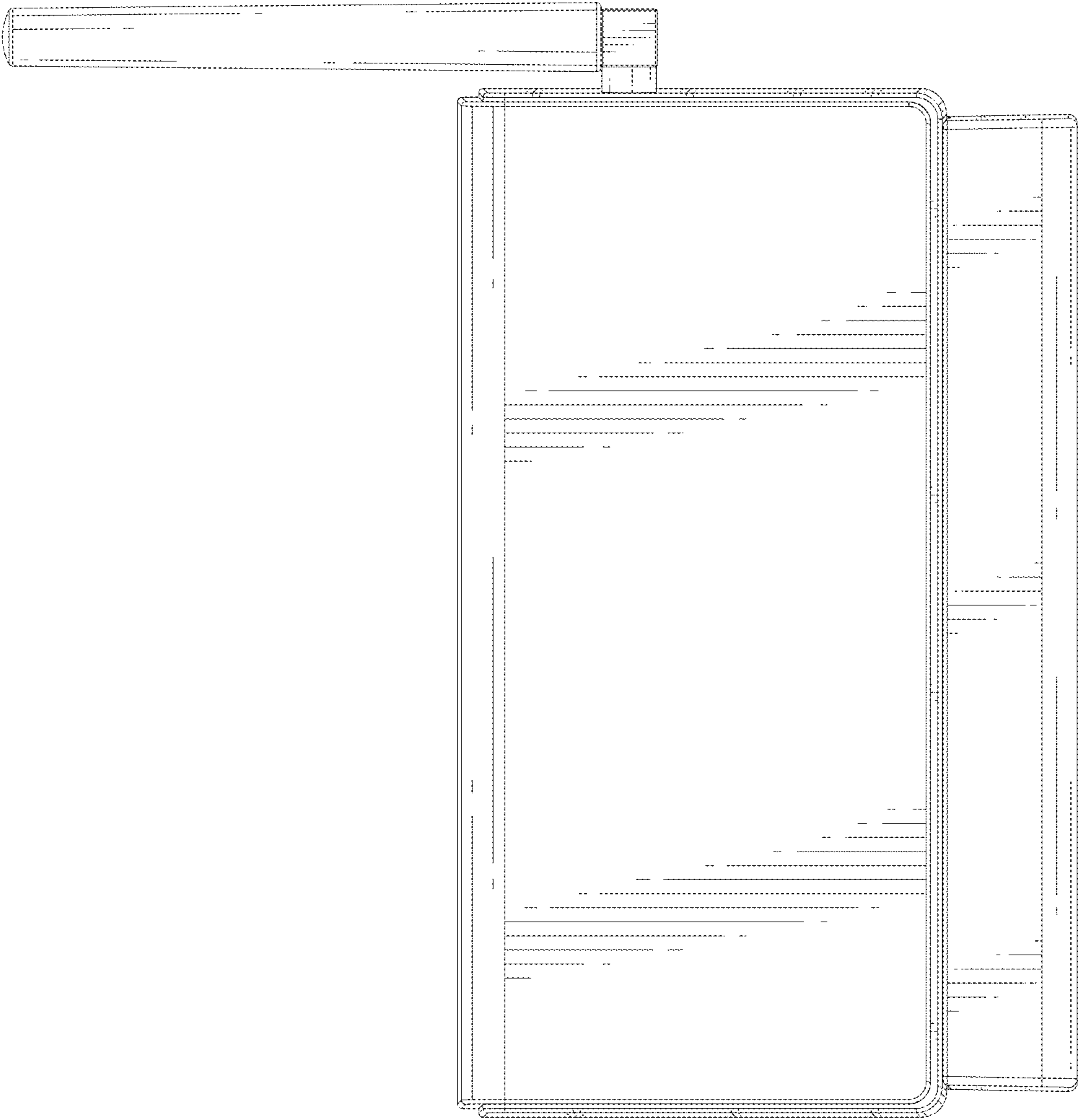
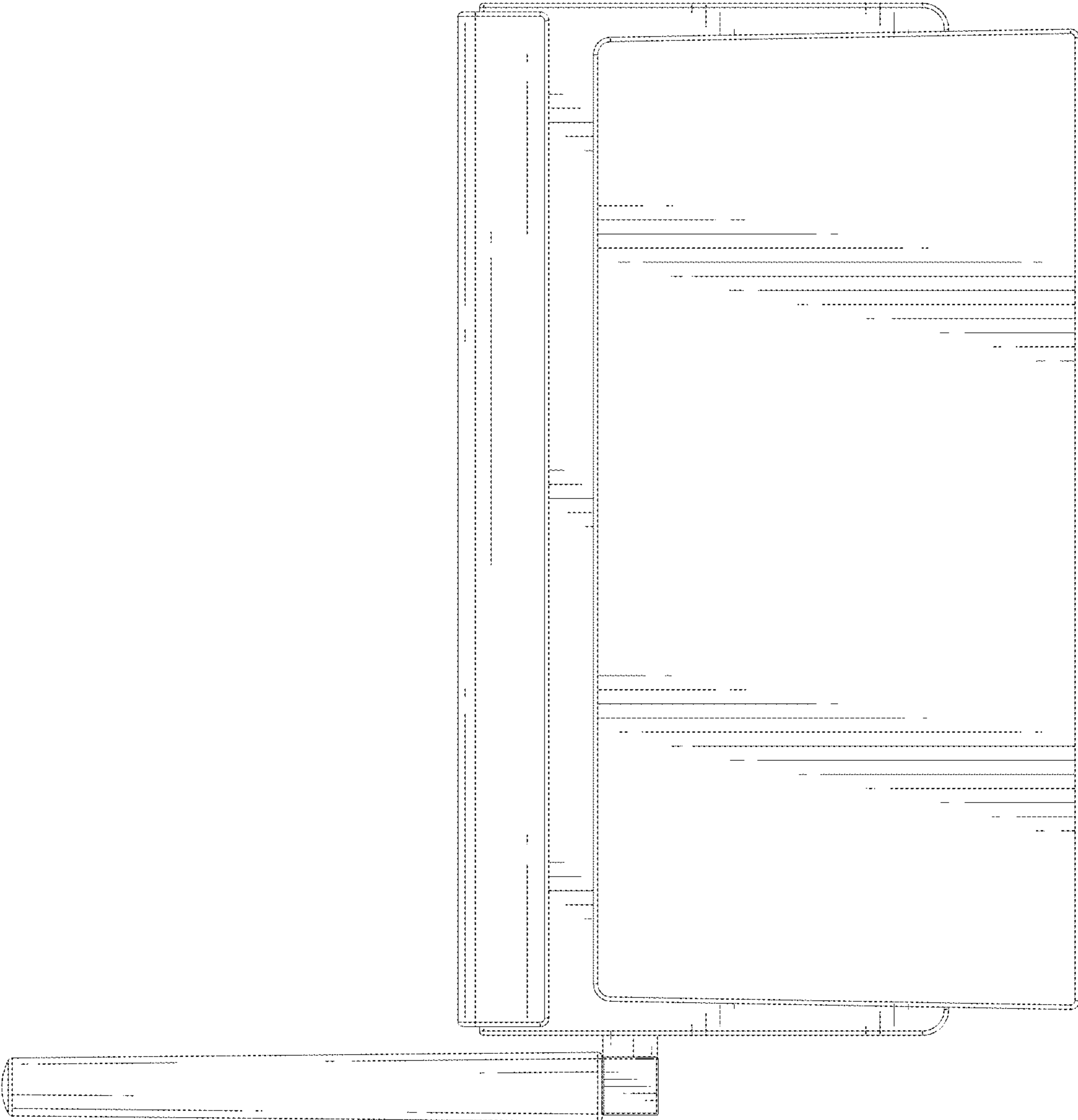


FIG.2

FIG. 3



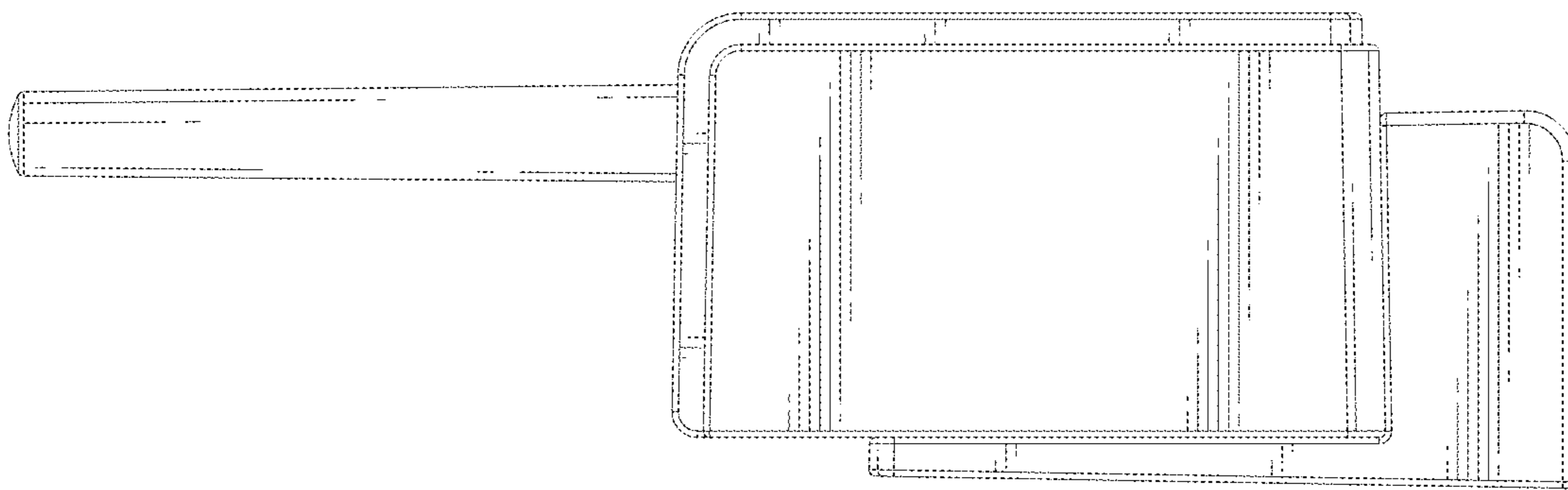


FIG.4

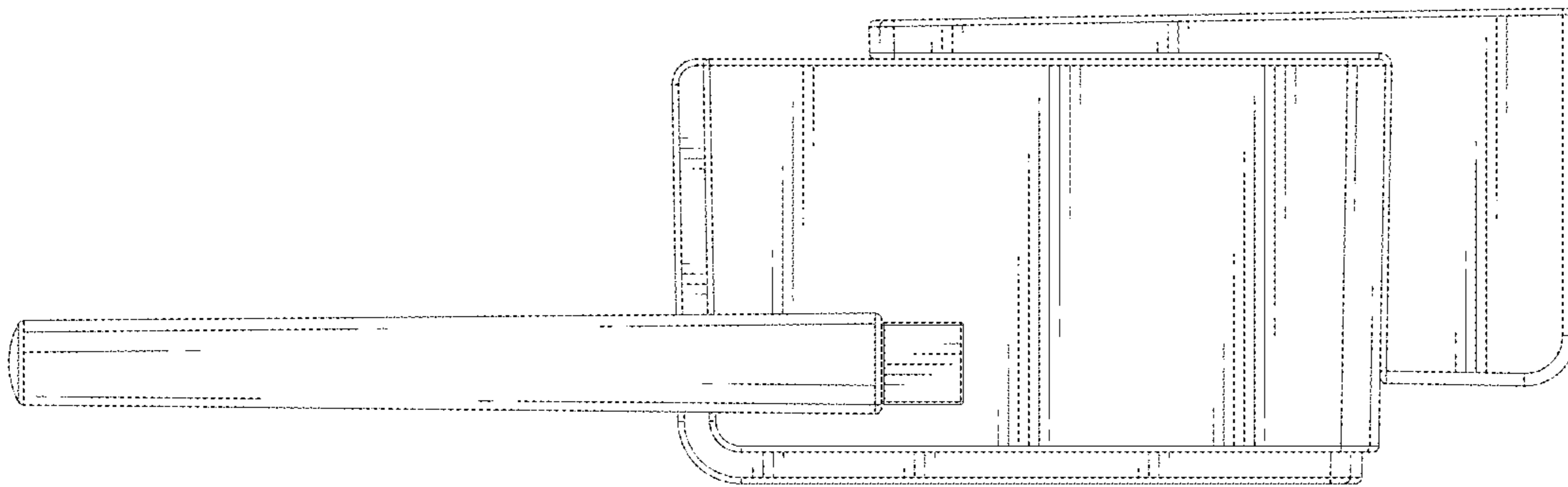


FIG. 5

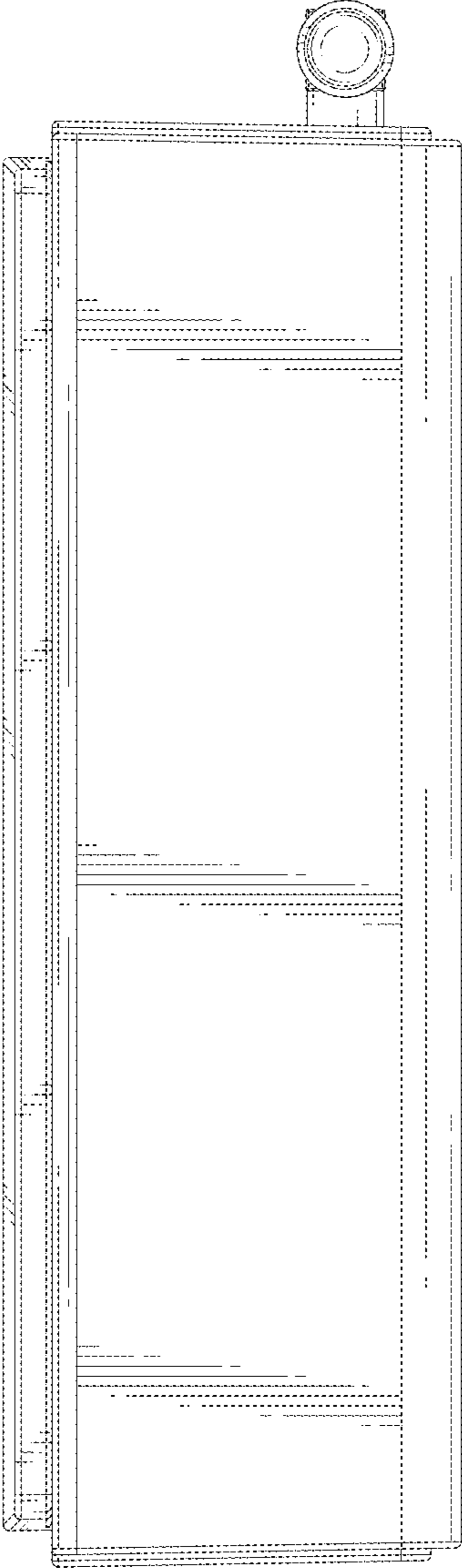


FIG.6

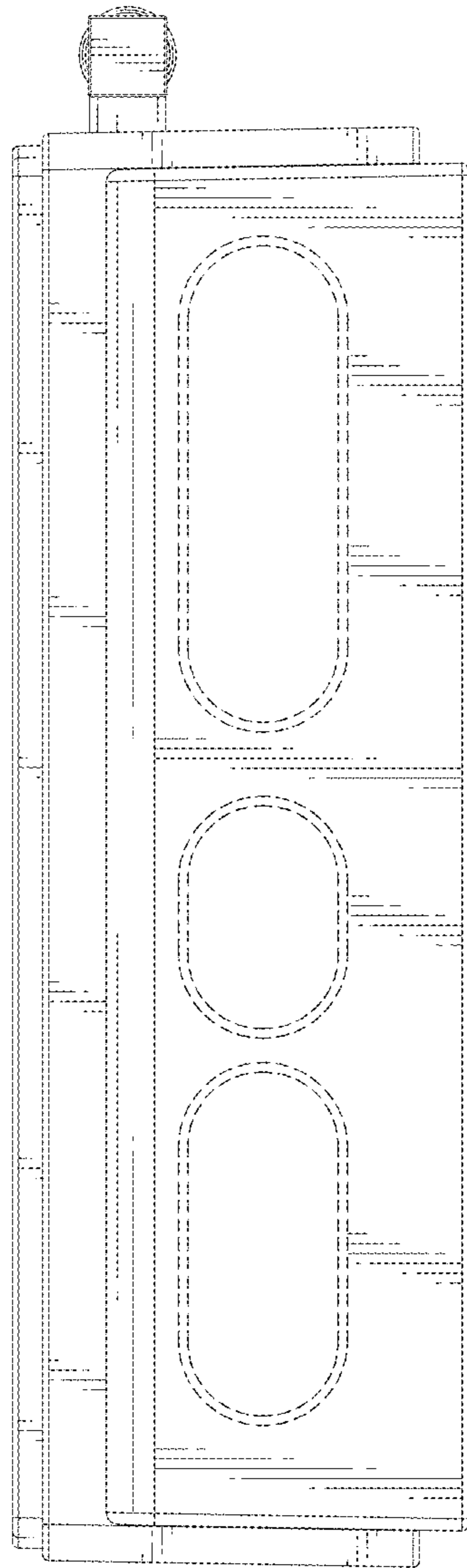


FIG.7

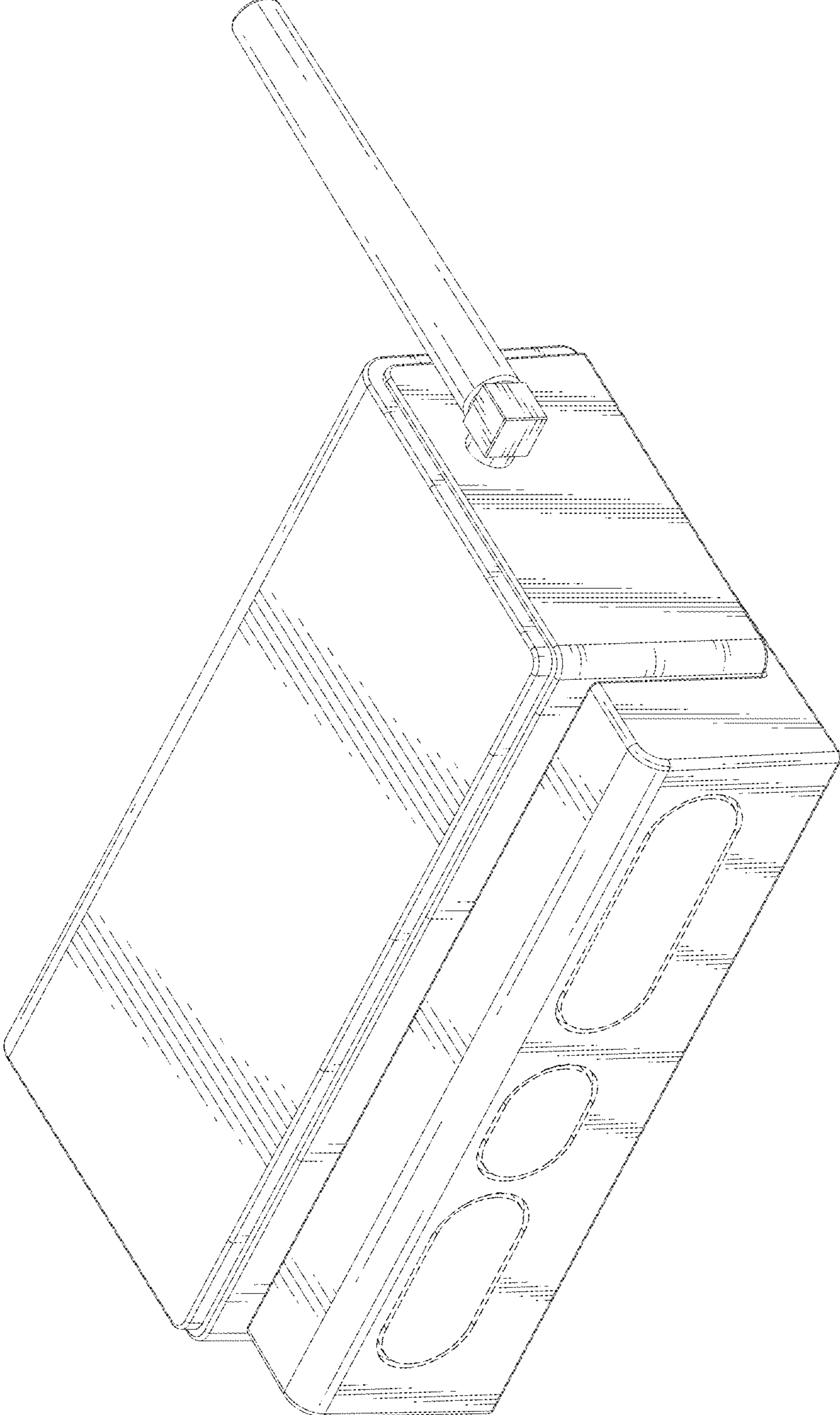


FIG.8