



US00D898682S

(12) **United States Design Patent**
Hsieh et al.

(10) **Patent No.: US D898,682 S**

(45) **Date of Patent: ** Oct. 13, 2020**

(54) **MONITORING AND CONTROL DEVICE FOR AN UNINTERRUPTIBLE POWER SYSTEM**

(71) Applicant: **VOLTRONIC POWER TECHNOLOGY CORP.**, Taipei (TW)

(72) Inventors: **Juor-Ming Hsieh**, Taipei (TW);
Yu-Cheng Lu, Taipei (TW)

(73) Assignee: **VOLTRONIC POWER TECHNOLOGY CORP.**, Taipei (TW)

(**) Term: **15 Years**

(21) Appl. No.: **29/697,421**

(22) Filed: **Jul. 8, 2019**

(30) **Foreign Application Priority Data**

May 27, 2019 (TW) 108303145

(51) **LOC (12) Cl.** **13-03**

(52) **U.S. Cl.**
USPC **D13/162**

(58) **Field of Classification Search**
USPC D13/110, 158, 162, 184; D10/49, 50, D10/104.1
CPC .. G06F 3/0488; G05B 19/108; H05K 7/1492; H05K 7/183; H05K 5/0017; H01R 13/514; H02J 9/00
See application file for complete search history.

(56) **References Cited**

U.S. PATENT DOCUMENTS

D381,590 S * 7/1997 Thoeni D10/49
D553,096 S * 10/2007 Pfingsten D13/162
D601,956 S * 10/2009 Liu D13/110
D607,843 S * 1/2010 Borax D13/162

8,528,264 B1 * 9/2013 Thut F16B 21/02 52/27
D748,504 S * 2/2016 Rump D10/50
D771,565 S * 11/2016 Saarivirta D13/110
D781,250 S * 3/2017 Cartwright D13/168
2007/0171196 A1 * 7/2007 Pfingsten G06F 3/0488 345/156
2011/0226506 A1 * 9/2011 Hamilton H05K 5/0017 174/59
2018/0316215 A1 * 11/2018 Lu H05K 7/183
2019/0052121 A1 * 2/2019 Lu G06F 3/14

* cited by examiner

Primary Examiner — Selina Sikder

(74) *Attorney, Agent, or Firm* — Li & Cai Intellectual Property Office

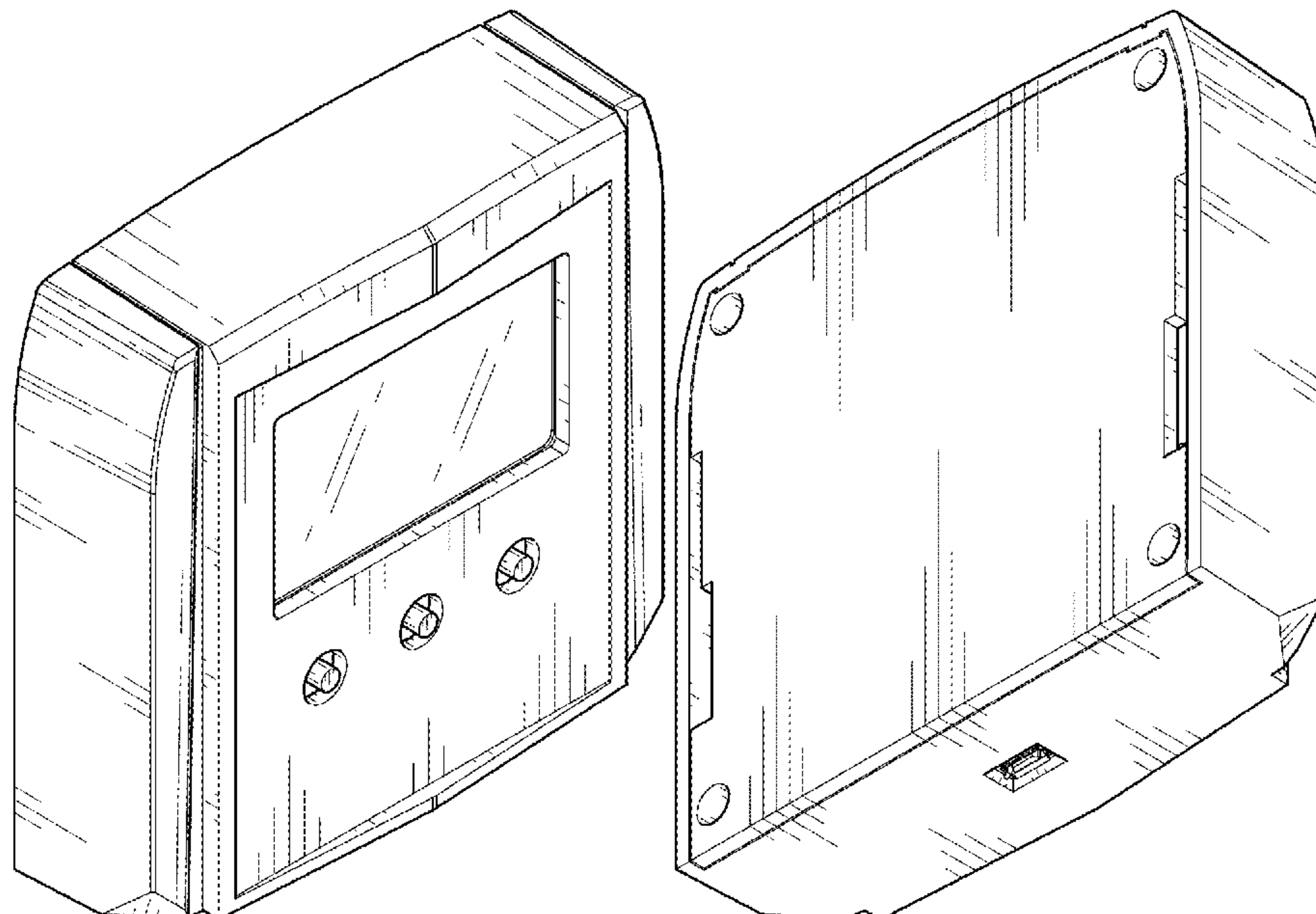
(57) **CLAIM**

The ornamental design for a monitoring and control device for an uninterruptible power system, as shown and described.

DESCRIPTION

FIG. 1 is a front, top and left perspective view of a monitoring and control device for an uninterruptible power system showing our new design;
FIG. 2 is a front elevational view thereof;
FIG. 3 is a rear elevational view thereof;
FIG. 4 is a left side elevational view thereof;
FIG. 5 is a right side elevational view thereof;
FIG. 6 is a top plan view thereof;
FIG. 7 is a bottom plan view thereof;
FIG. 8 is a rear, bottom and left perspective view thereof; and,
FIG. 9 is a perspective view of an uninterruptible power system with the monitoring and control device.
The broken lines in FIG. 9 depict environment that forms no part of the claimed design.

1 Claim, 7 Drawing Sheets



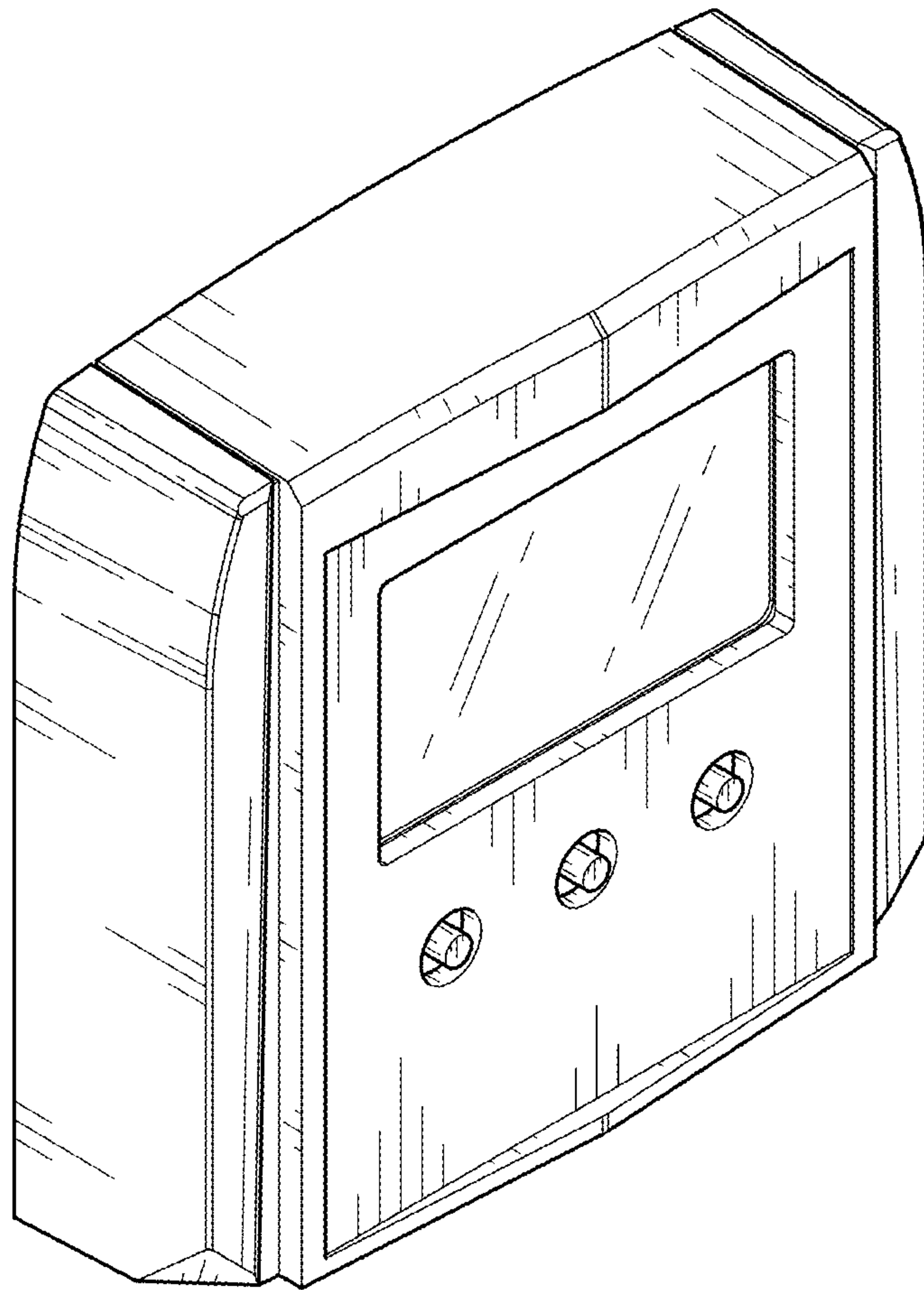


FIG. 1

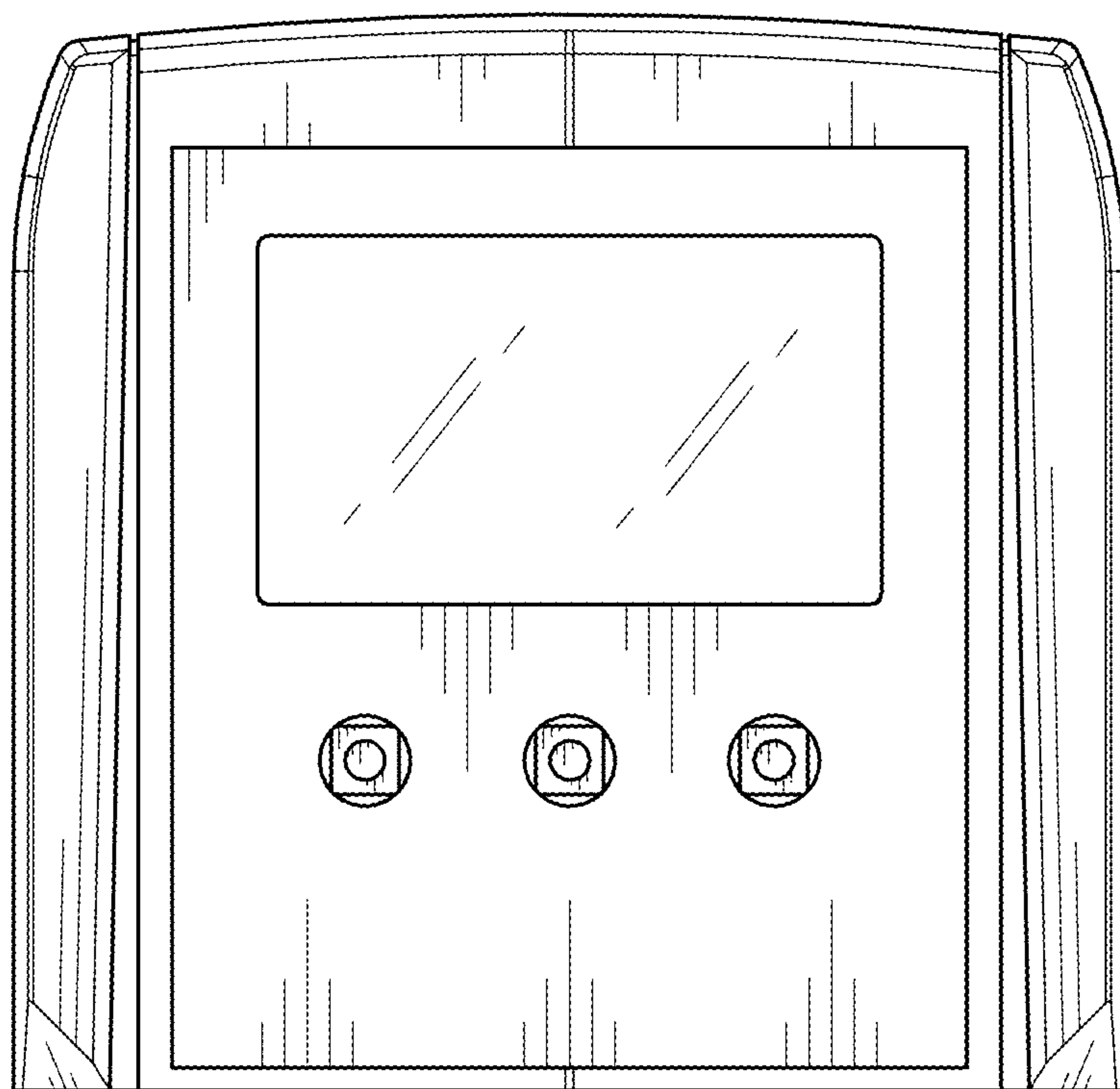


FIG. 2

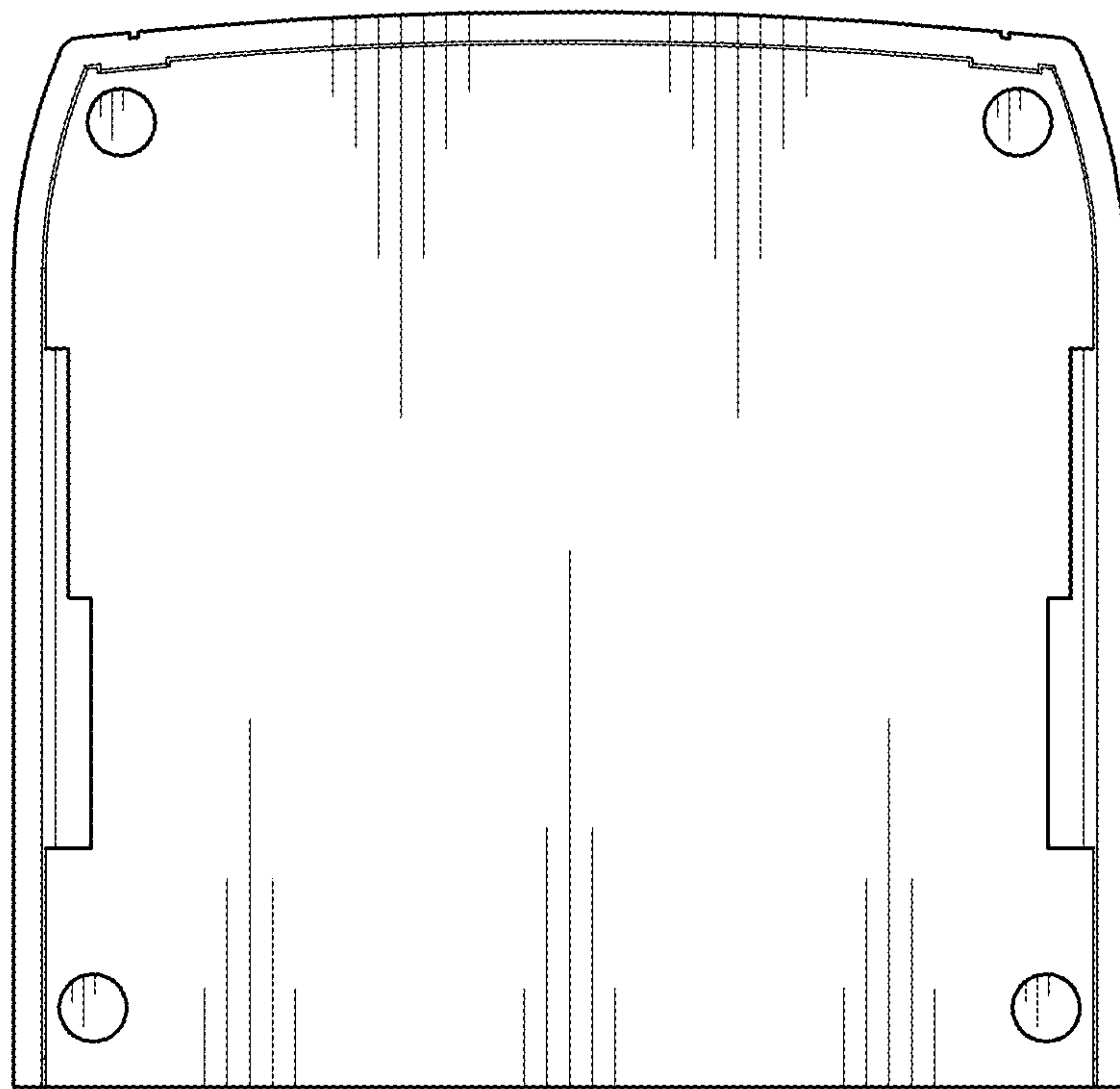


FIG. 3

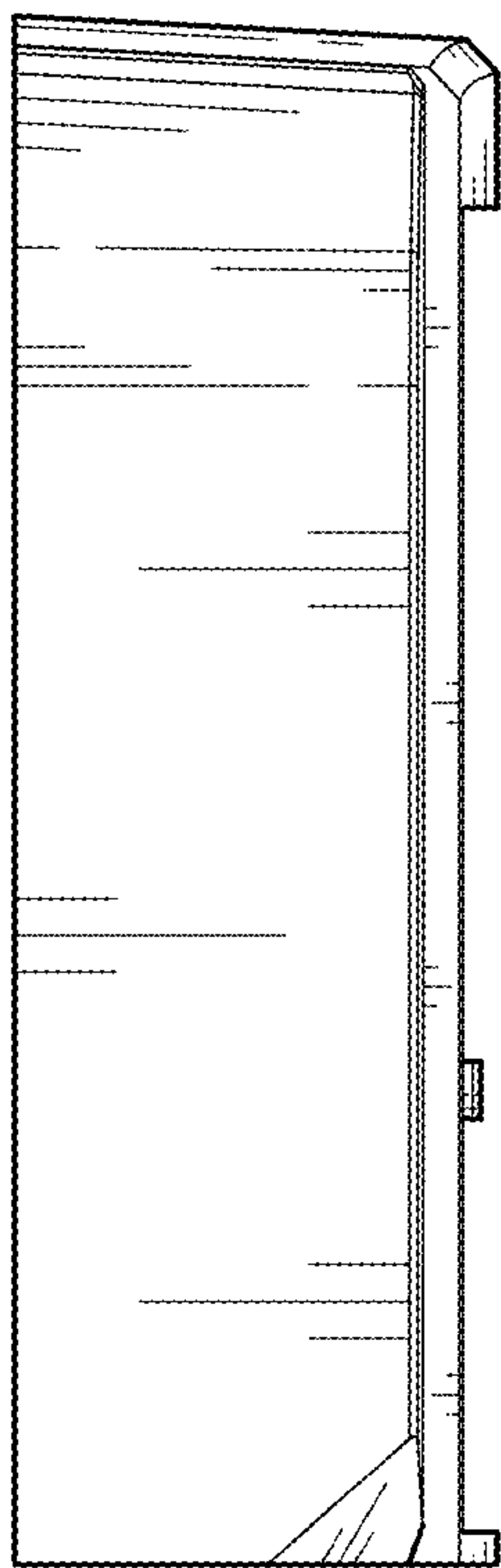


FIG. 4

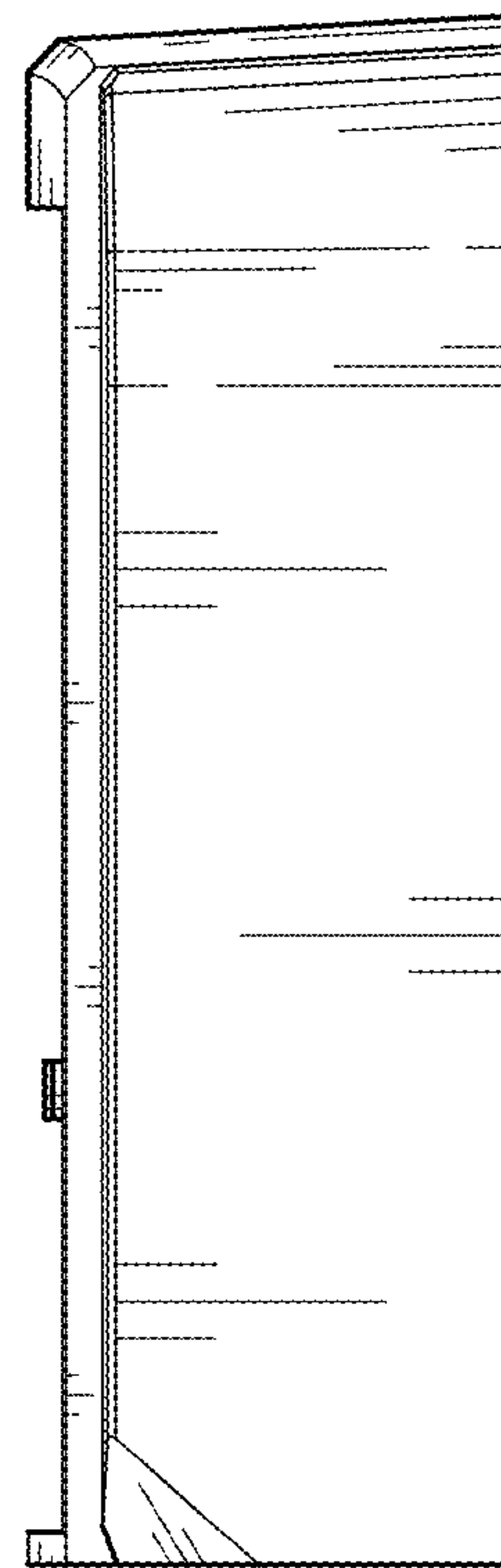


FIG. 5

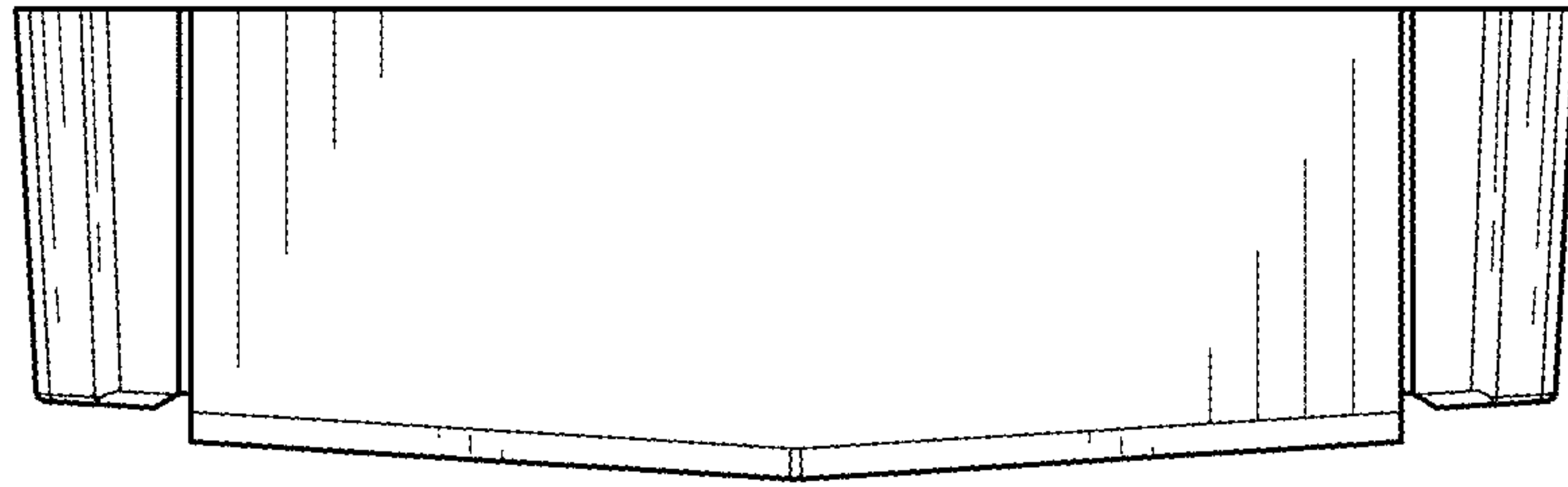


FIG. 6

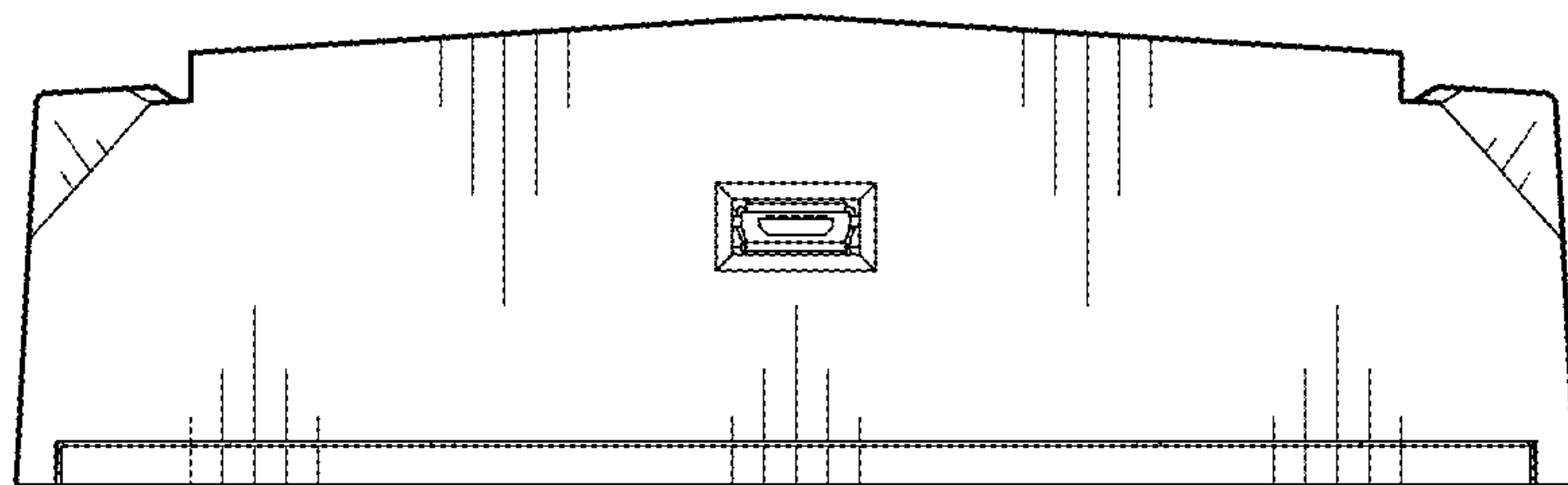


FIG. 7

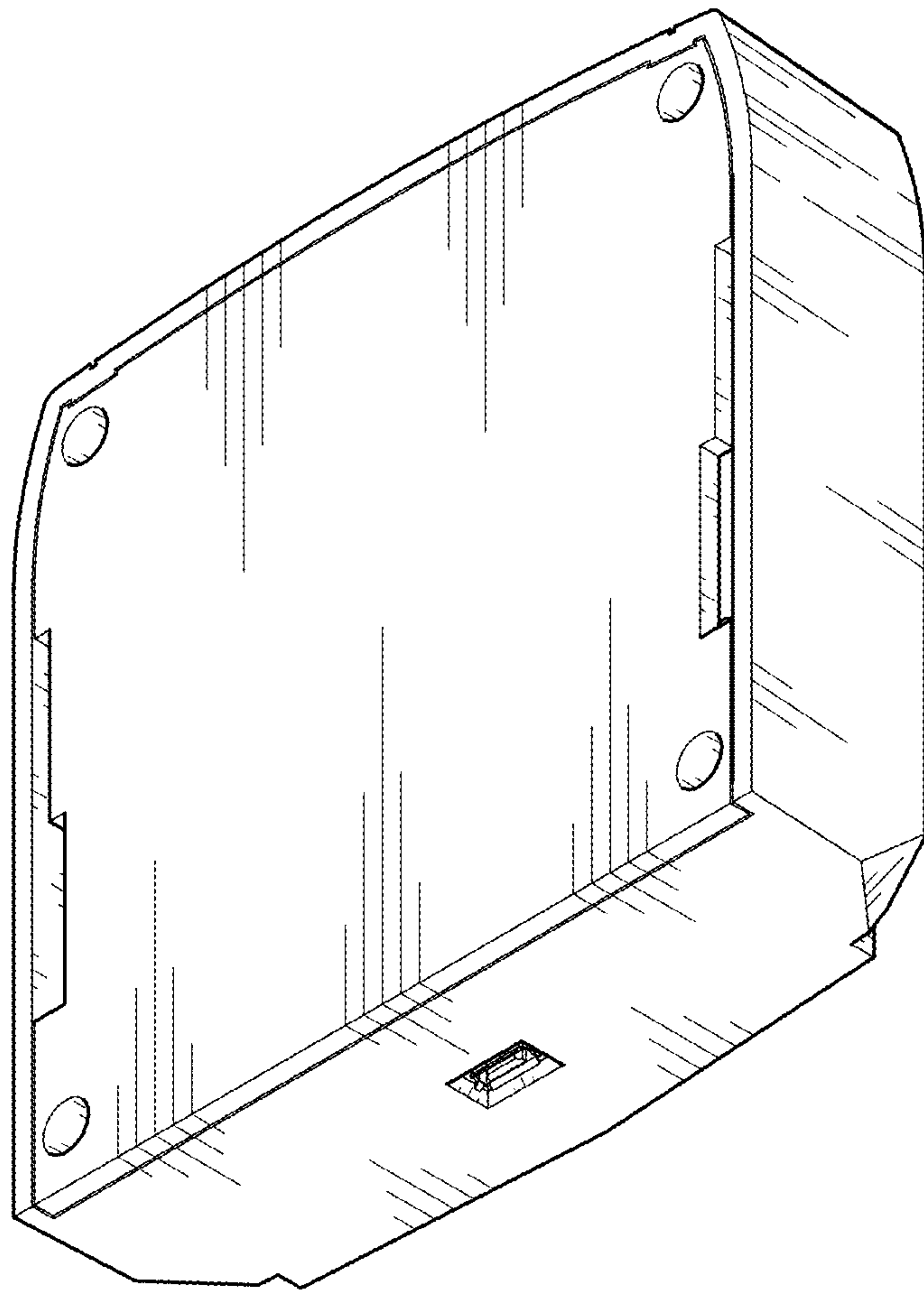


FIG. 8

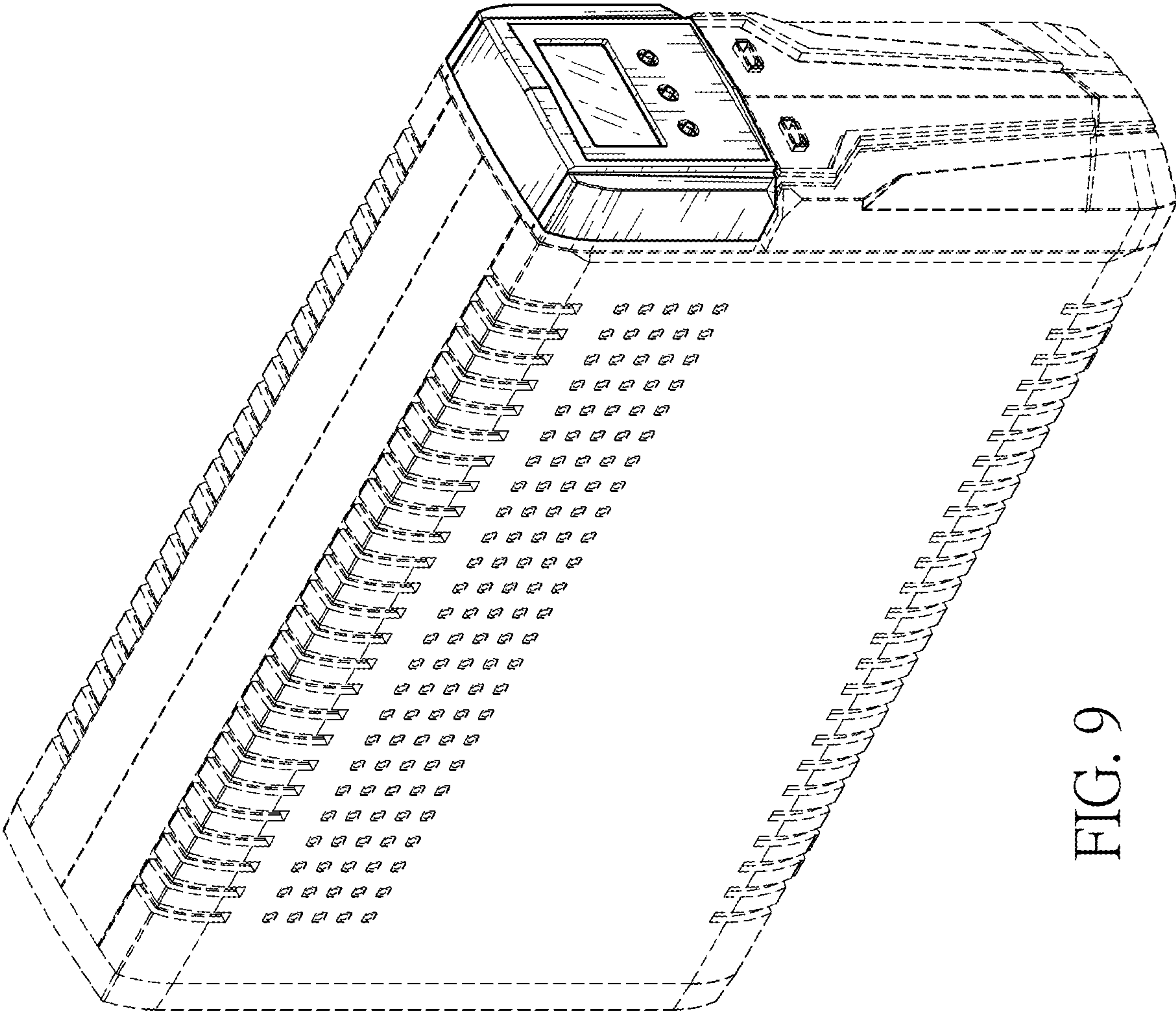


FIG. 9