



US00D898681S

(12) **United States Design Patent**
Chen

(10) **Patent No.:** **US D898,681 S**

(45) **Date of Patent:** **** Oct. 13, 2020**

(54) **CONTROLLER**

(71) Applicant: **Ningbo C.F Electronic Tech Co., Ltd,**
Ningbo (CN)

(72) Inventor: **Zefeng Chen,** Ningbo (CN)

(**) Term: **15 Years**

(21) Appl. No.: **29/693,913**

(22) Filed: **Jun. 6, 2019**

(51) **LOC (12) Cl.** **13-03**

(52) **U.S. Cl.**

USPC **D13/162; D10/40**

(58) **Field of Classification Search**

USPC D13/162, 162.1, 164, 168; D14/218;
D10/49, 50

CPC A01G 25/16; A01G 25/165; A01G 25/167;
G05B 19/02; G05B 19/04; G05B 19/042;
G05B 19/0423; G05B 19/0426; Y10T
137/86389

See application file for complete search history.

(56) **References Cited**

U.S. PATENT DOCUMENTS

- 4,633,905 A * 1/1987 Wang F16K 21/16
137/624.11
- 4,807,664 A * 2/1989 Wilson A01G 25/165
137/624.11
- D365,771 S * 1/1996 Clivio D10/40
- D485,502 S * 1/2004 Clivio A01G 25/165
D10/40
- 6,719,010 B1 * 4/2004 Yi-Chang A01G 25/165
137/624.11

- D608,666 S * 1/2010 de Bie D10/40
- D679,259 S * 4/2013 Franchini D13/162.1
- D679,260 S * 4/2013 Franchini D13/162.1
- D720,431 S * 12/2014 Michael D23/249
- D722,895 S * 2/2015 Chandran D10/40
- D744,961 S * 12/2015 Franchini D13/162.1
- D837,664 S * 1/2019 Cheng D10/40
- D857,529 S * 8/2019 Rodriguez D10/49
- D886,645 S * 6/2020 Chen D10/40

* cited by examiner

Primary Examiner — Selina Sikder

(74) *Attorney, Agent, or Firm* — W&K IP

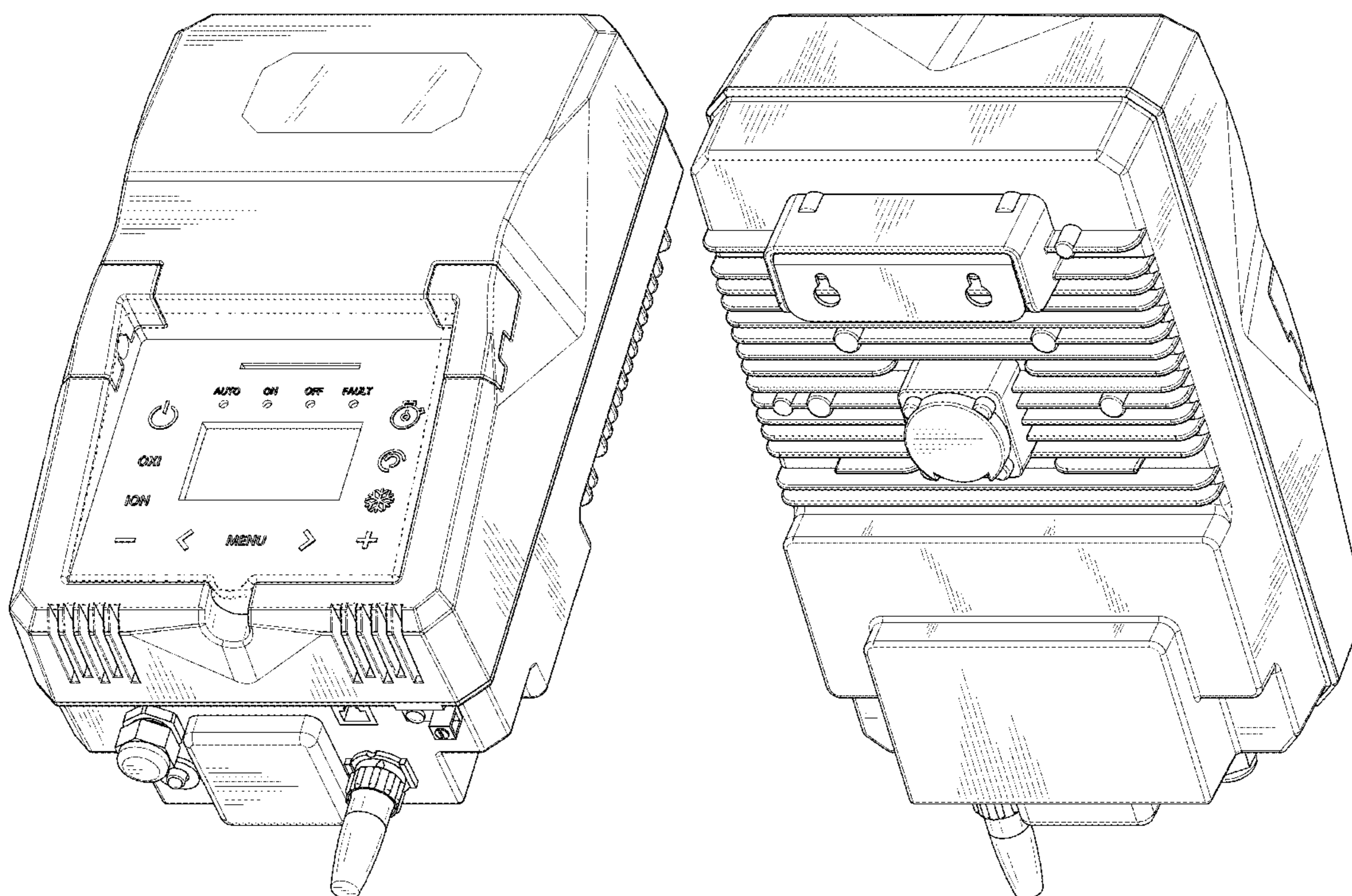
(57) **CLAIM**

The ornamental design for a controller, as shown and described.

DESCRIPTION

FIG. 1 is a front view of a controller;
 FIG. 2 is a rear view thereof;
 FIG. 3 is a left side view thereof;
 FIG. 4 is a right side view thereof;
 FIG. 5 is a top plan view thereof;
 FIG. 6 is a bottom plan view thereof;
 FIG. 7 is first perspective view thereof;
 FIG. 8 is second perspective view thereof; and,
 FIG. 9 is third perspective view thereof.
 The broken lines are for the purposes of illustrating portions of the controller and form no part of the claimed design.

1 Claim, 9 Drawing Sheets



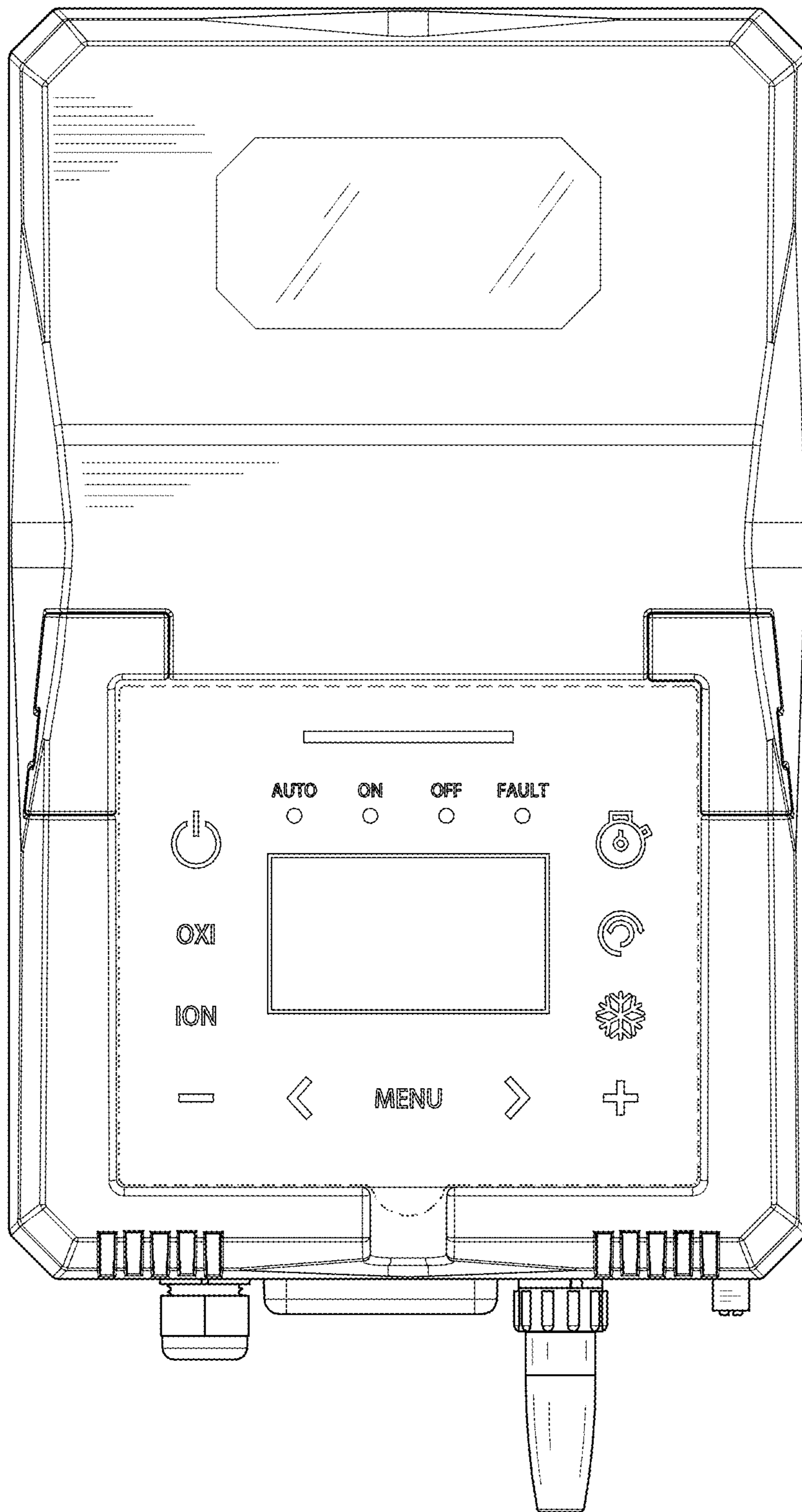


FIG. 1

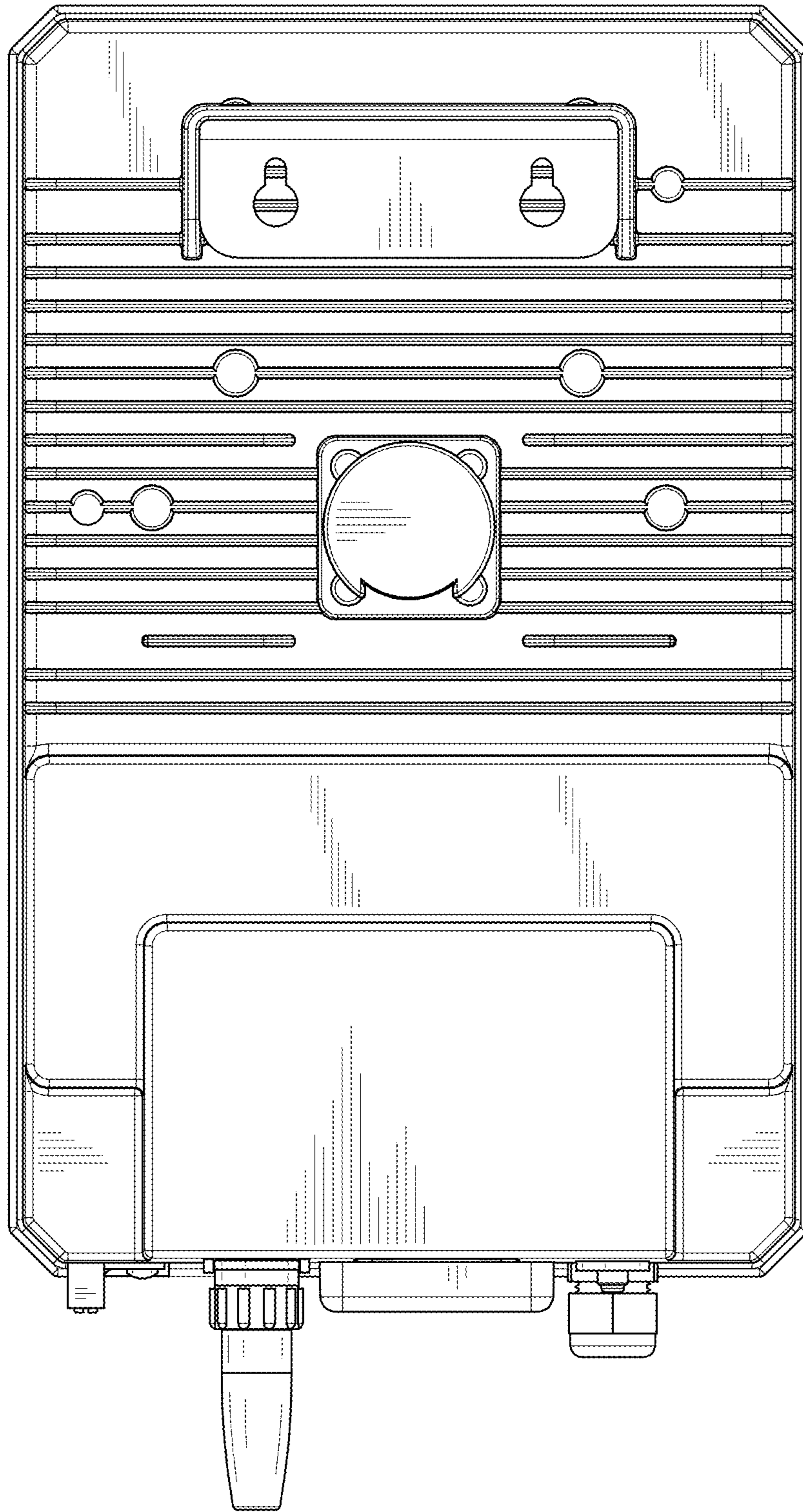


FIG.2

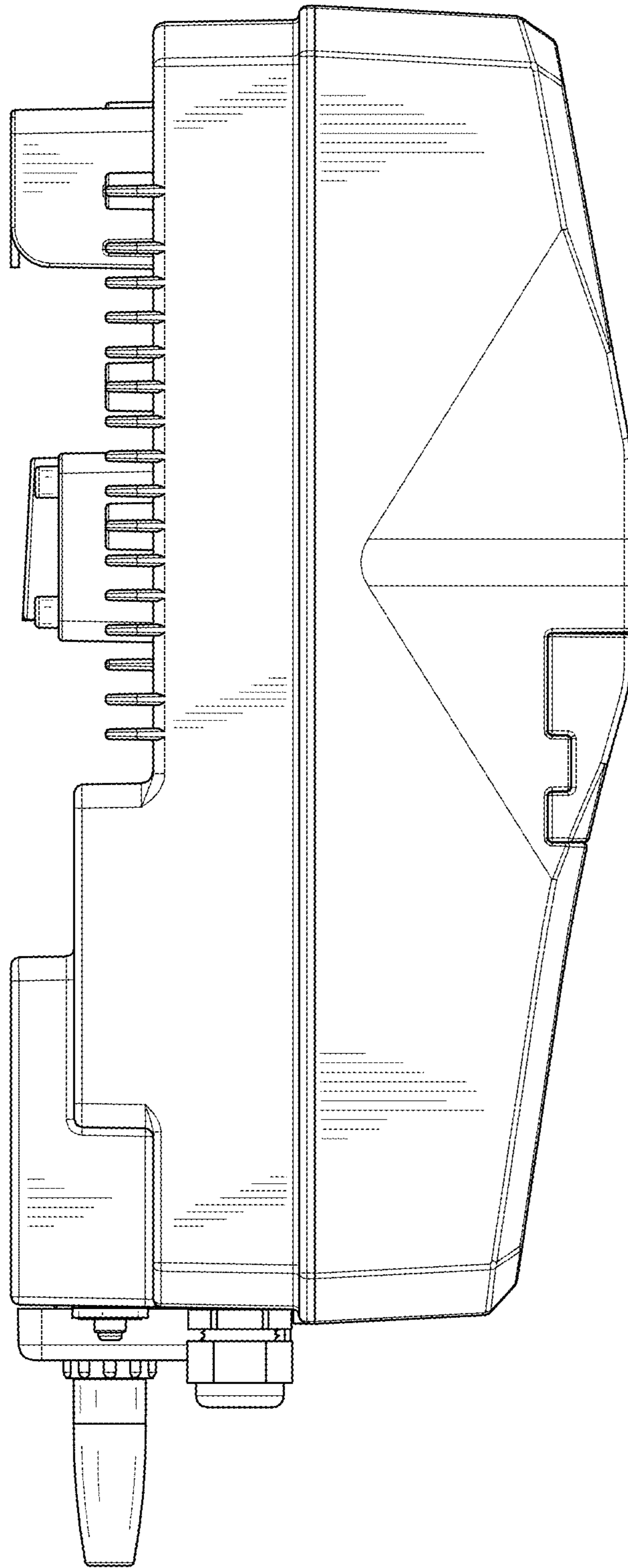


FIG.3

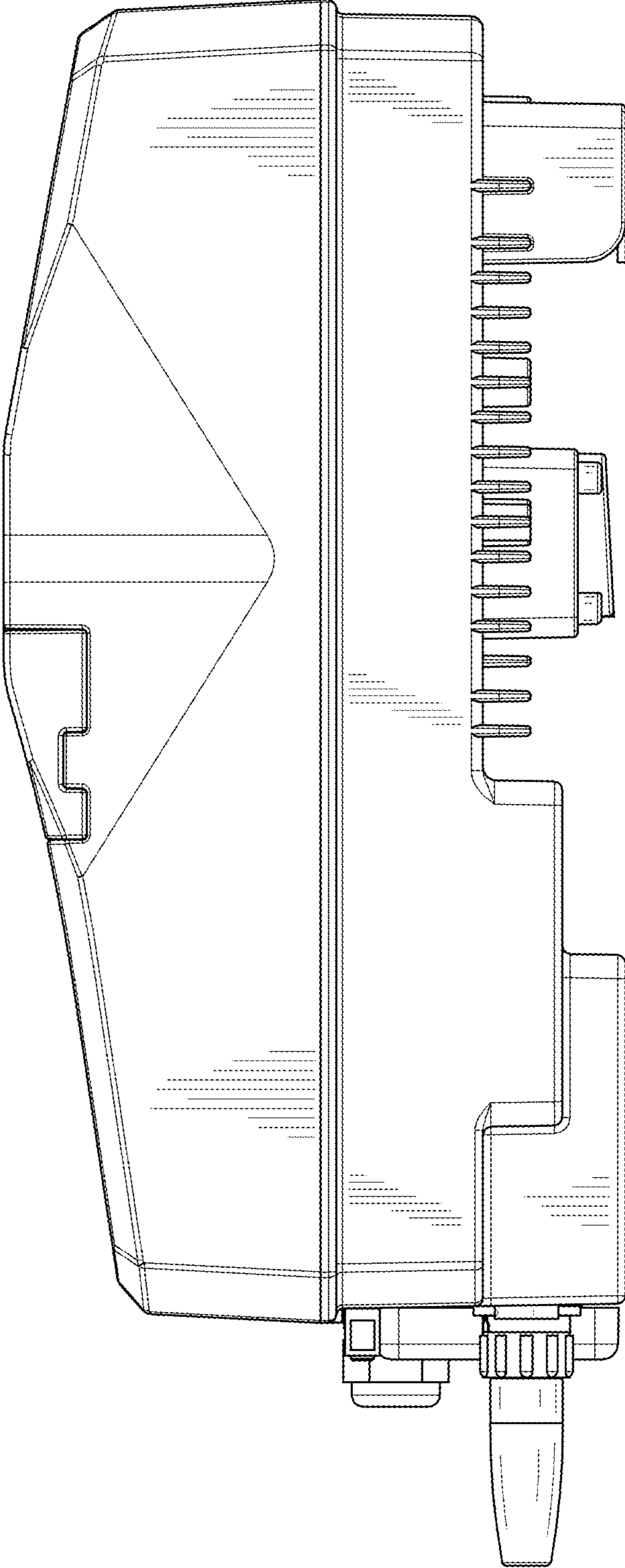


FIG.4

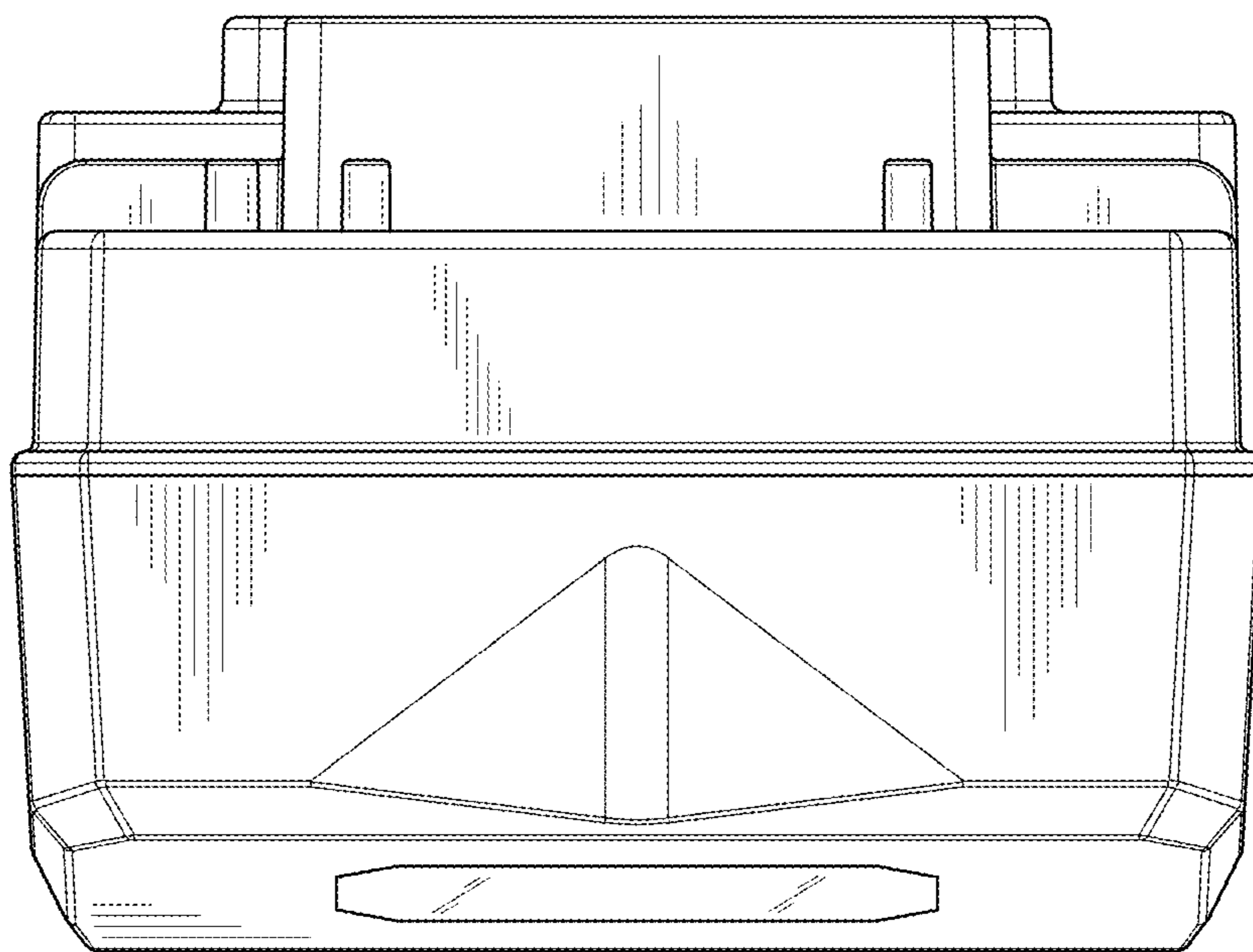


FIG.5

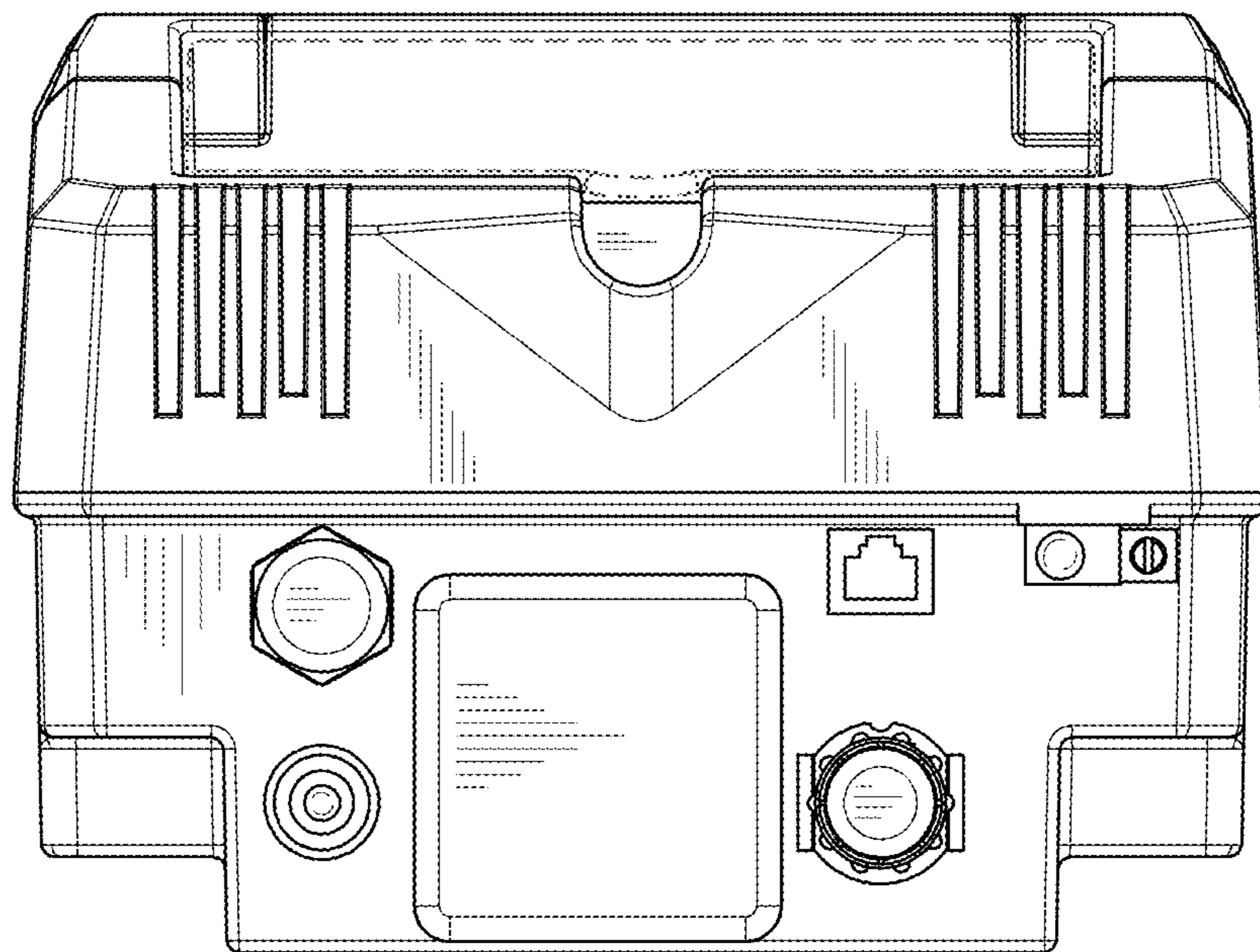


FIG. 6

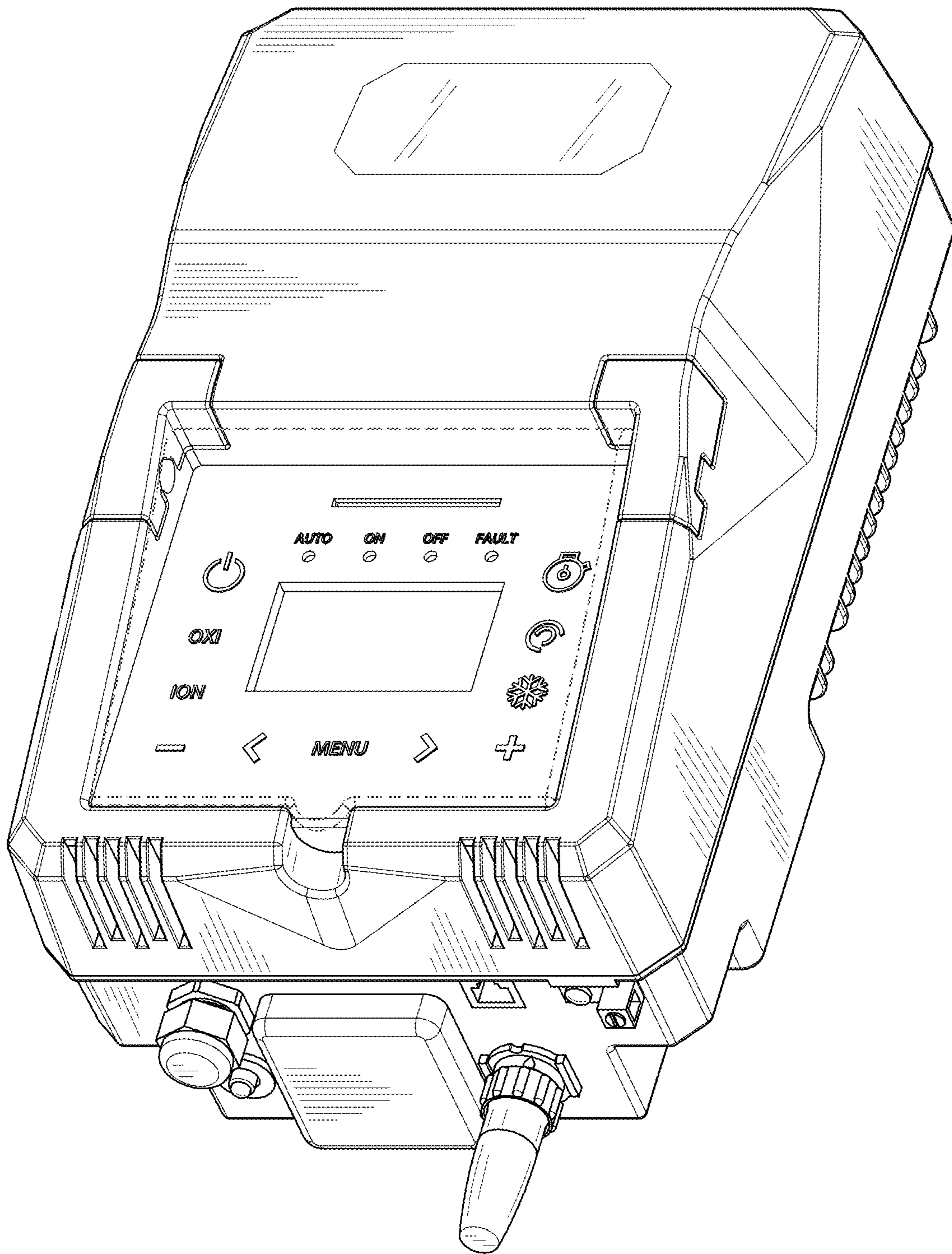


FIG. 7

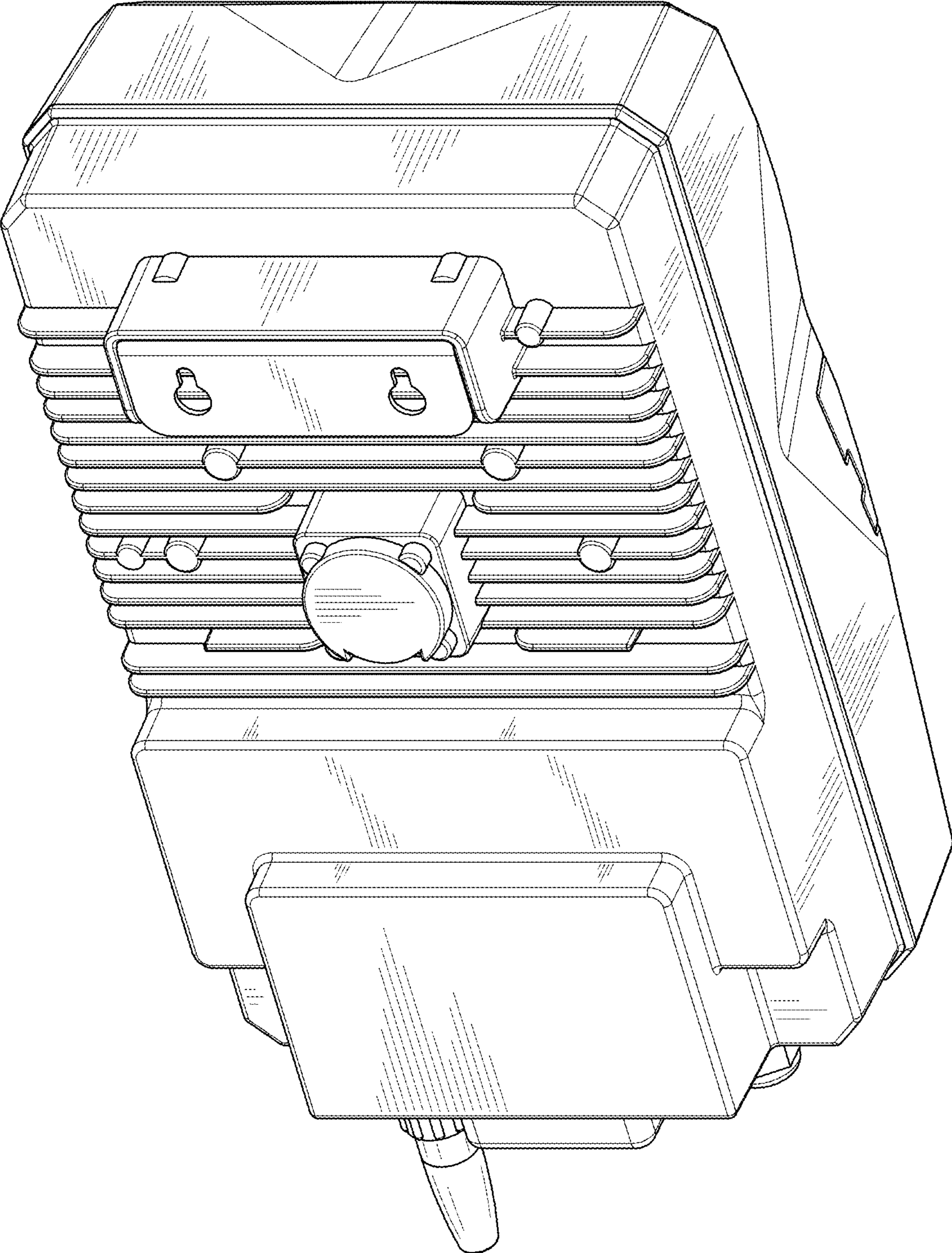


FIG.8

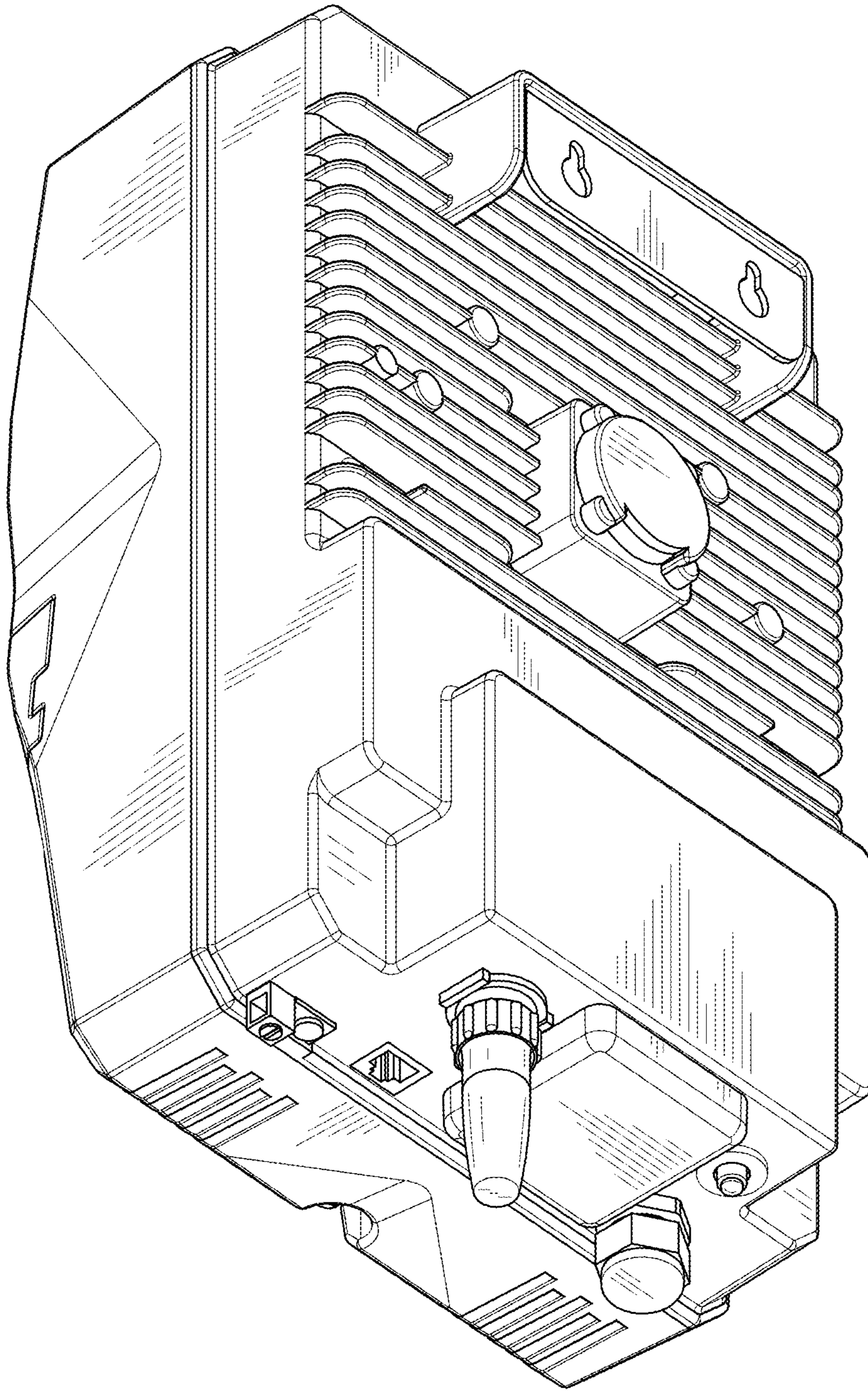


FIG.9