



US00D898680S

(12) **United States Design Patent**
Thatcher

(10) **Patent No.:** **US D898,680 S**

(45) **Date of Patent:** **** Oct. 13, 2020**

(54) **CONTROLLER HOUSING**

(71) Applicant: **Valmont Industries, Inc.**, Omaha, NE
(US)

(72) Inventor: **Tracy A. Thatcher**, Gretna, NE (US)

(73) Assignee: **Valmont Industries, Inc.**, Omaha, NE
(US)

(**) Term: **15 Years**

(21) Appl. No.: **29/678,444**

(22) Filed: **Jan. 29, 2019**

(51) **LOC (12) Cl.** **13-03**

(52) **U.S. Cl.**

USPC **D13/162; D13/162.1**

(58) **Field of Classification Search**

USPC 13/110, 123, 158, 162, 162.1, 184;
14/301, 439

CPC G05B 9/02; G05B 19/05; G05B 19/054;
G05B 19/056; G05B 2219/2625; G05B
15/02; G06F 1/182; G06F 1/183; H05K
7/0426; H05K 7/1462; H05K 7/1467;
H05K 7/1474; A01G 25/0916; A01G
25/192; A01G 25/16; A01G 25/165

See application file for complete search history.

(56) **References Cited**

U.S. PATENT DOCUMENTS

6,131,833 A * 10/2000 Chapman A01G 25/092
239/728
D494,142 S * 8/2004 Schon D13/162

D524,760 S * 7/2006 Ohlwine D13/162.1
D529,453 S * 10/2006 Schurr D13/184
D588,552 S * 3/2009 Radau D13/162
D659,650 S * 5/2012 Kang D13/162
D686,158 S * 7/2013 Helosvuori D13/123
D691,557 S * 10/2013 Helosvuori D13/123
D691,566 S * 10/2013 Hashimoto D13/158
D743,350 S * 11/2015 Ringer D13/162
D745,471 S * 12/2015 Ringer D13/162
D765,031 S * 8/2016 Mielnik D13/123
D766,191 S * 9/2016 Ringer D13/162
D844,569 S * 4/2019 Brenk D13/158

* cited by examiner

Primary Examiner — Selina Sikder

(74) *Attorney, Agent, or Firm* — Milligan PC LLO

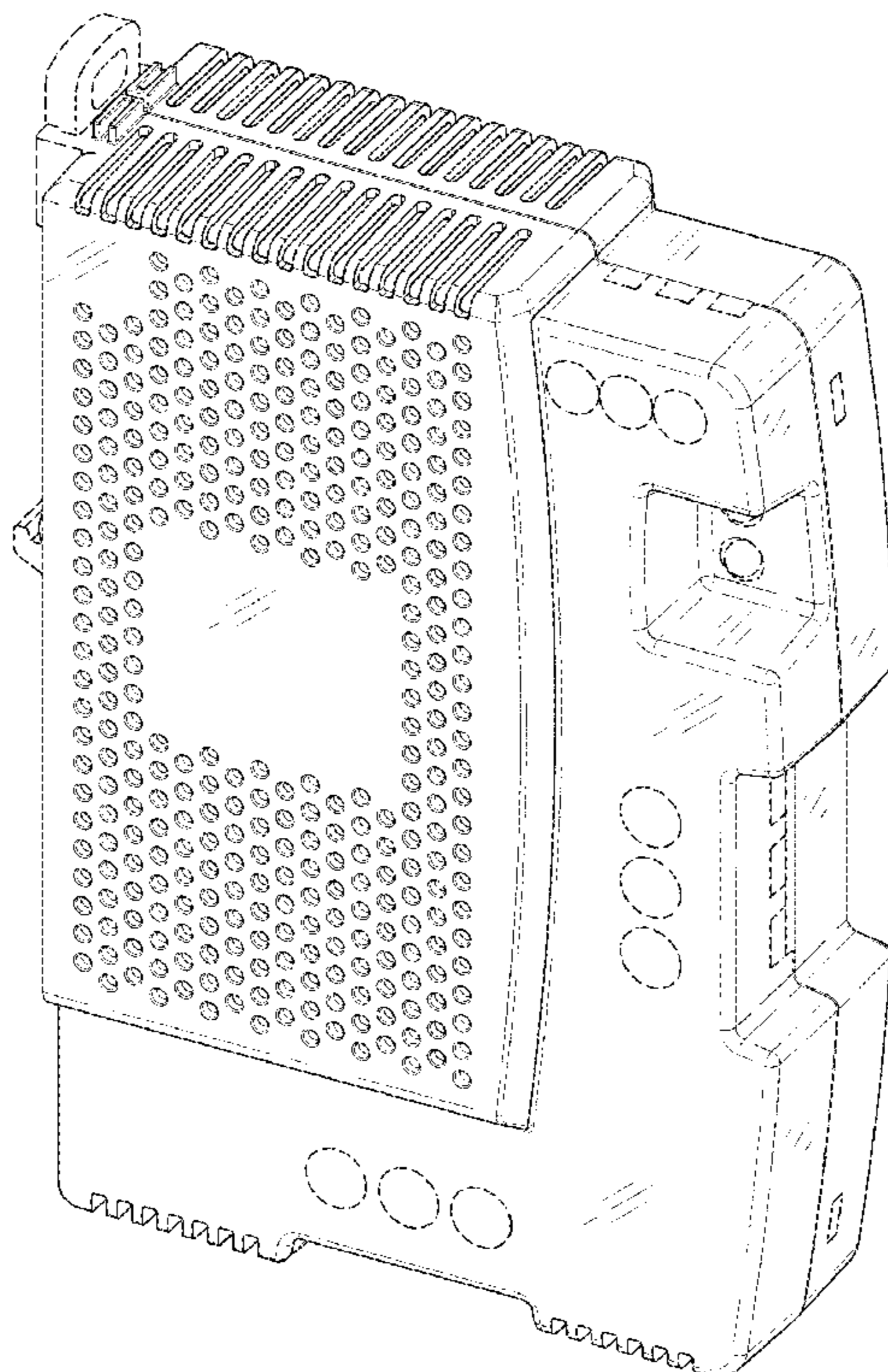
(57) **CLAIM**

An ornamental design for a controller housing, as shown and featured in the accompanying drawings.

DESCRIPTION

FIG. 1 is a right, front, top perspective view of a controller housing in accordance with the present invention;
FIG. 2 is a right-side elevation view thereof;
FIG. 3 is a left-side elevation view thereof;
FIG. 4 is a back elevation view thereof;
FIG. 5 is a front elevation view thereof;
FIG. 6 is a top plan view thereof;
FIG. 7 is a bottom plan view thereof; and,
FIG. 8 is a left, rear, bottom perspective view thereof.
The broken lines represent portions of the structure that form no part of the claim.

1 Claim, 8 Drawing Sheets



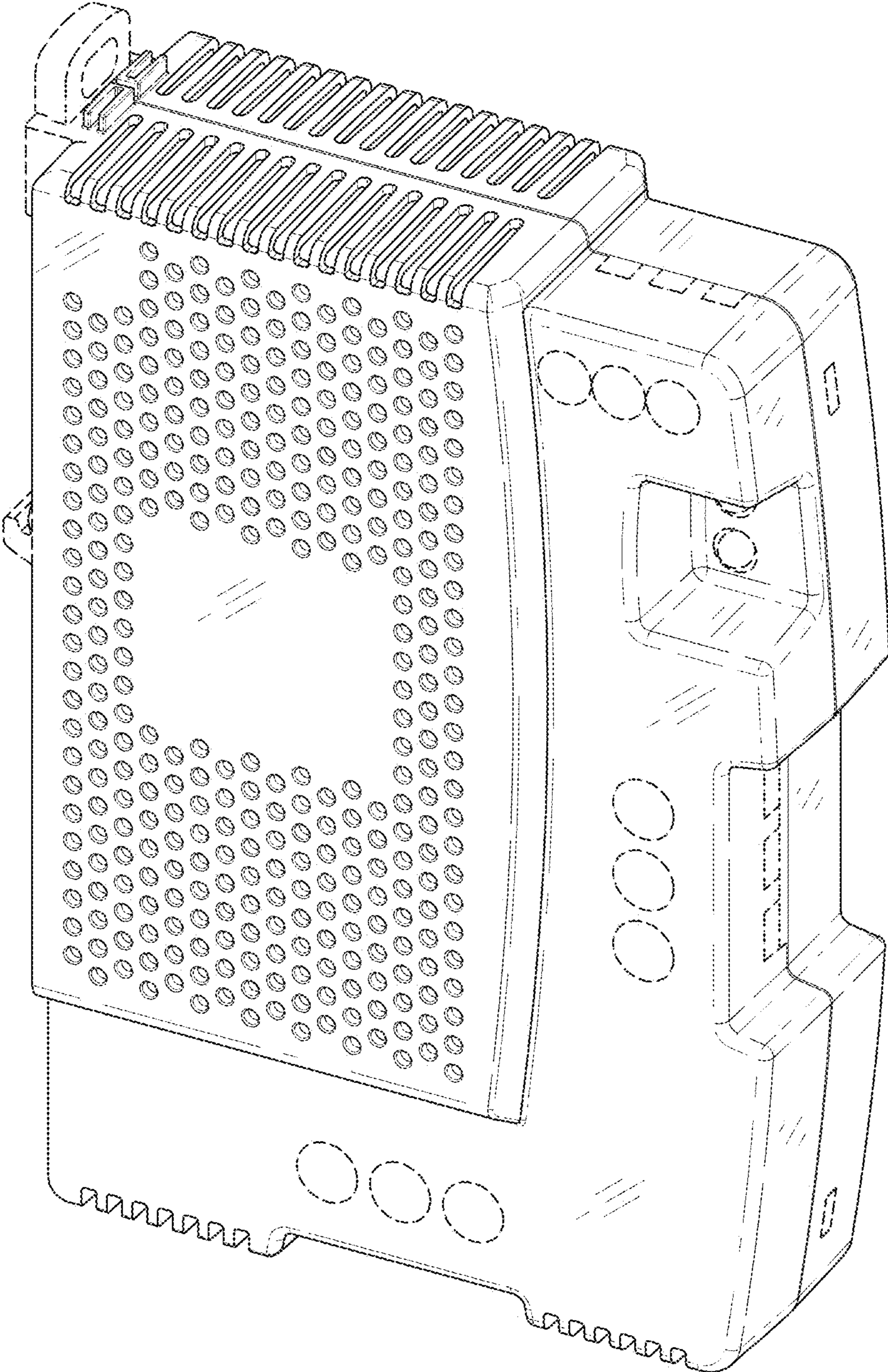


FIG. 1

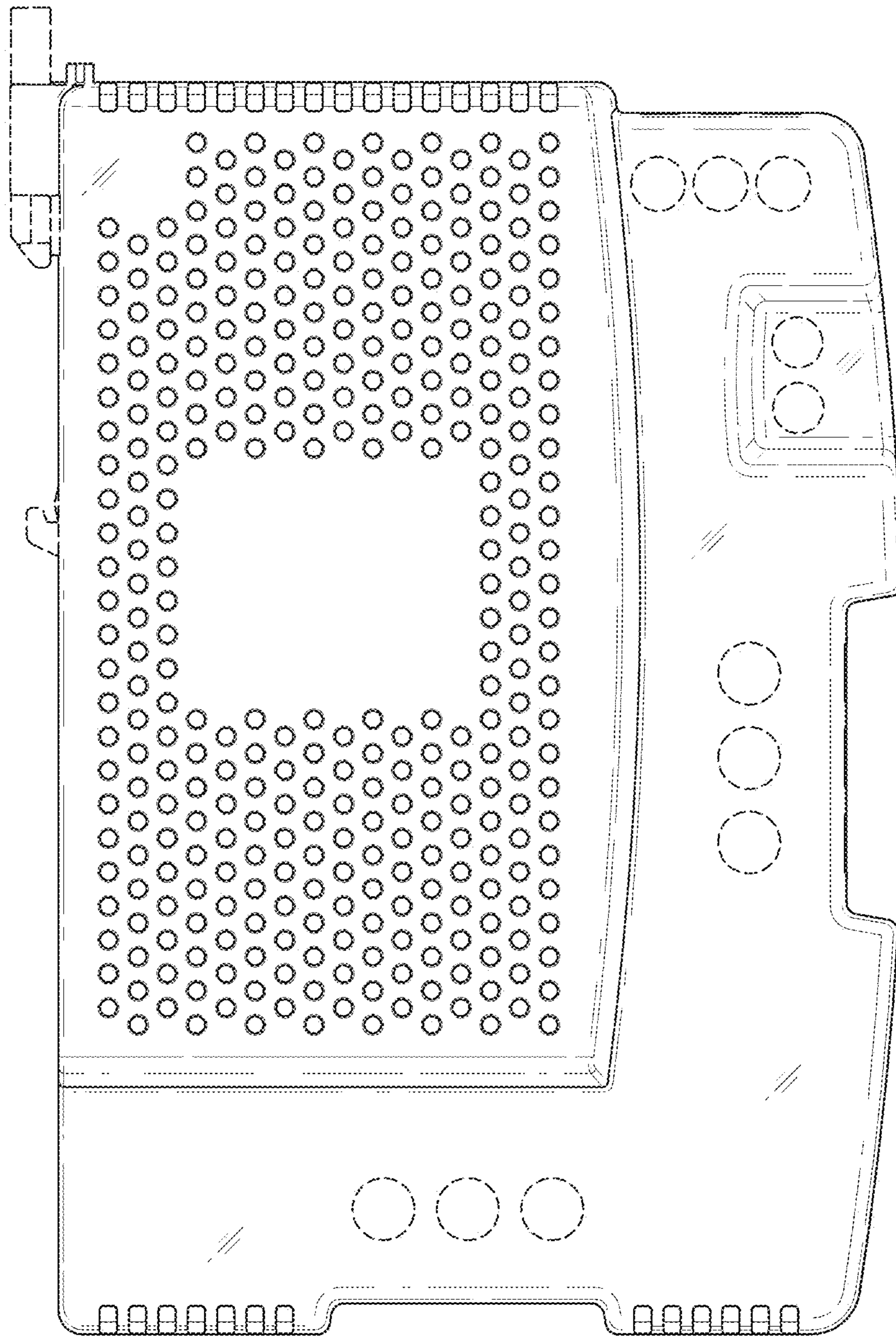


FIG. 2

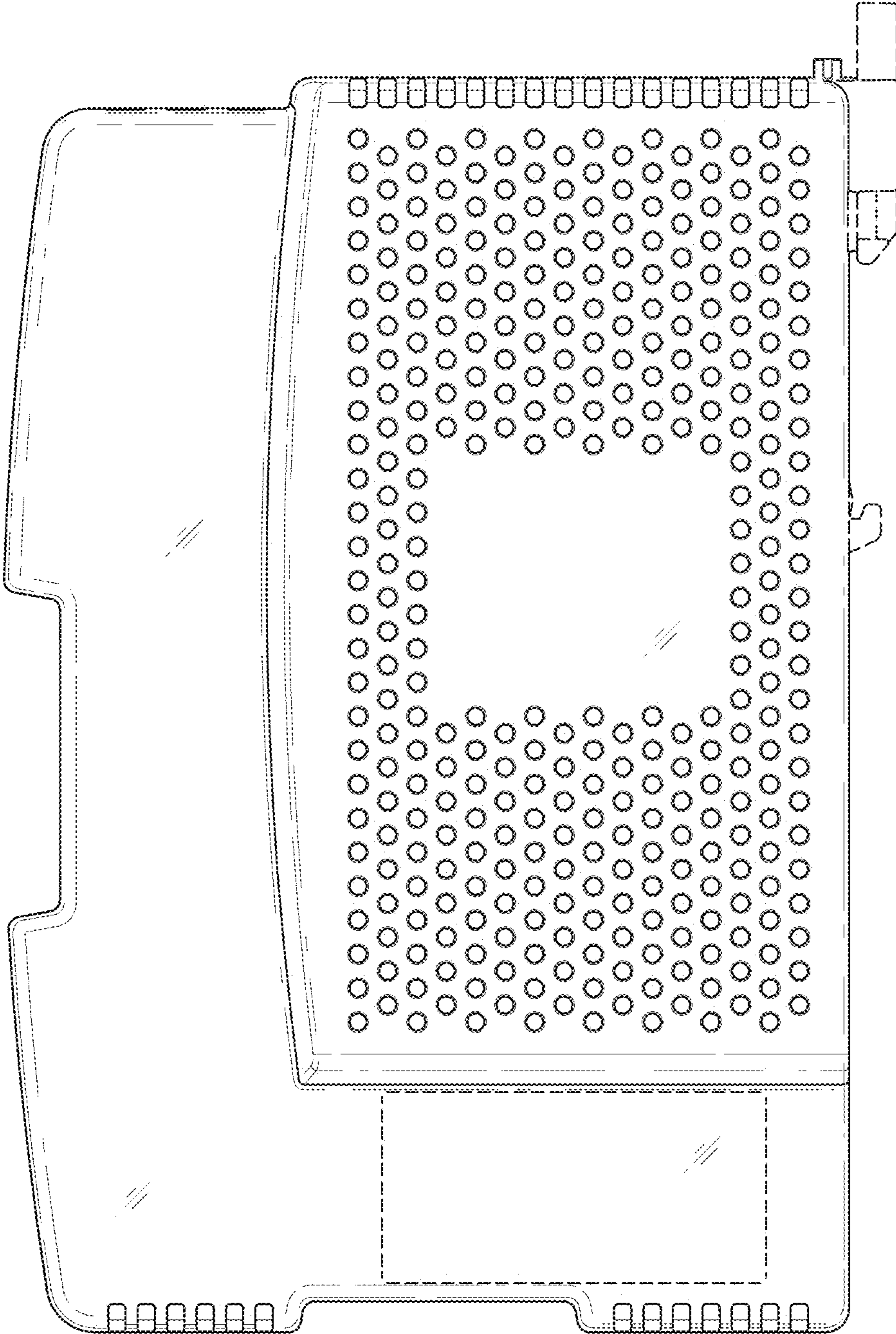


FIG. 3

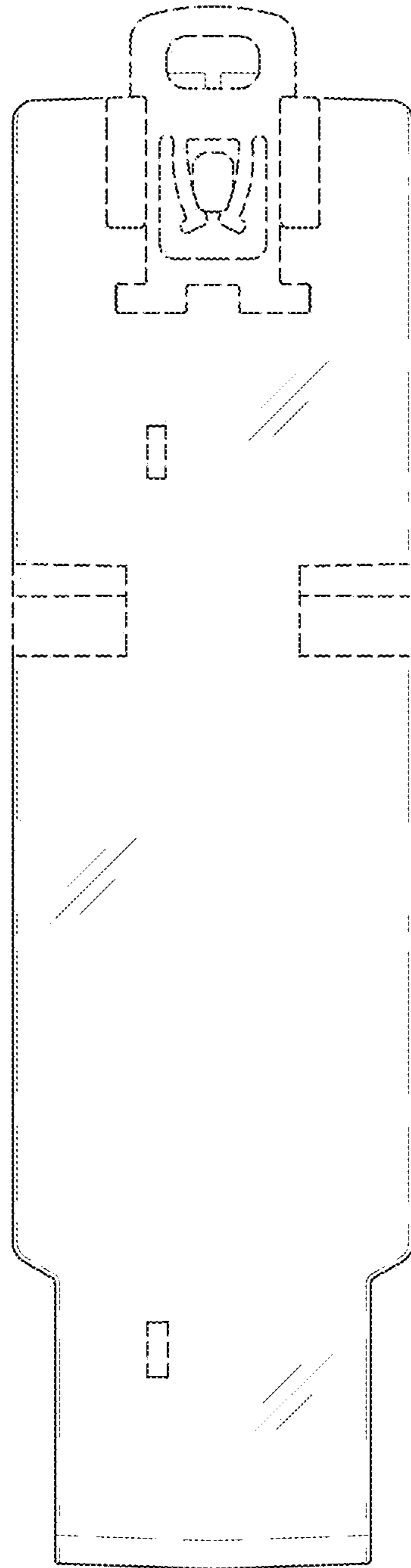


FIG. 4

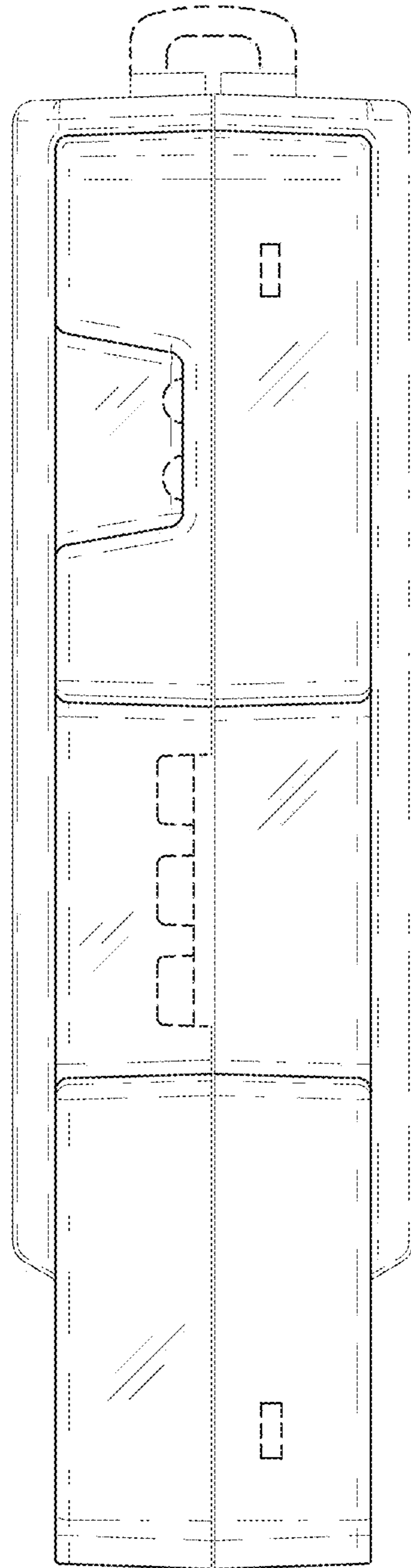


FIG. 5

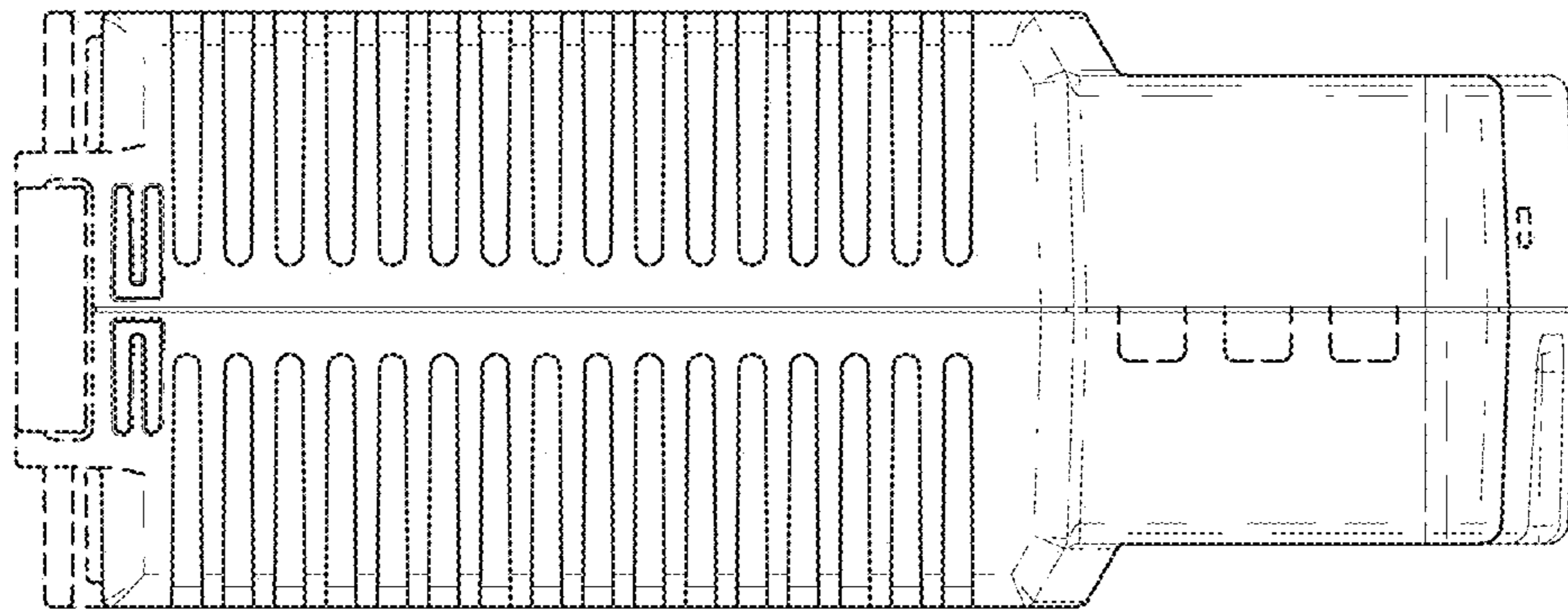


FIG. 6

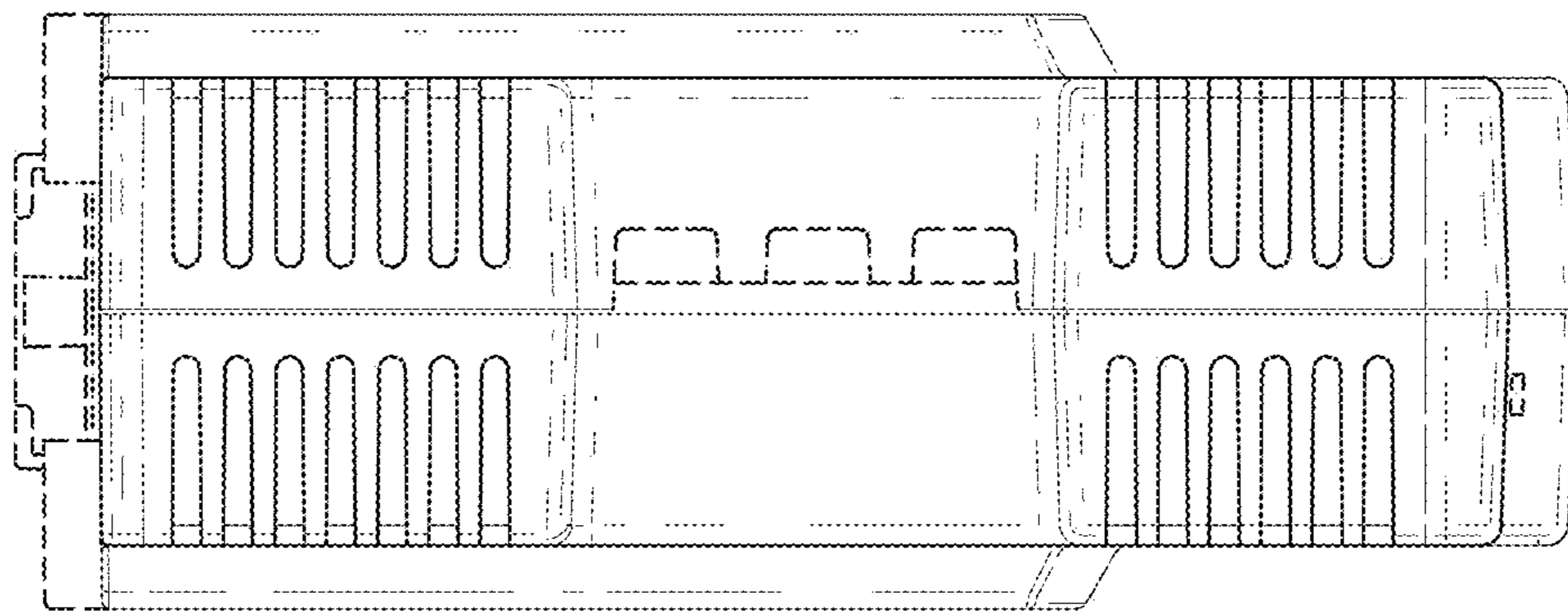


FIG. 7

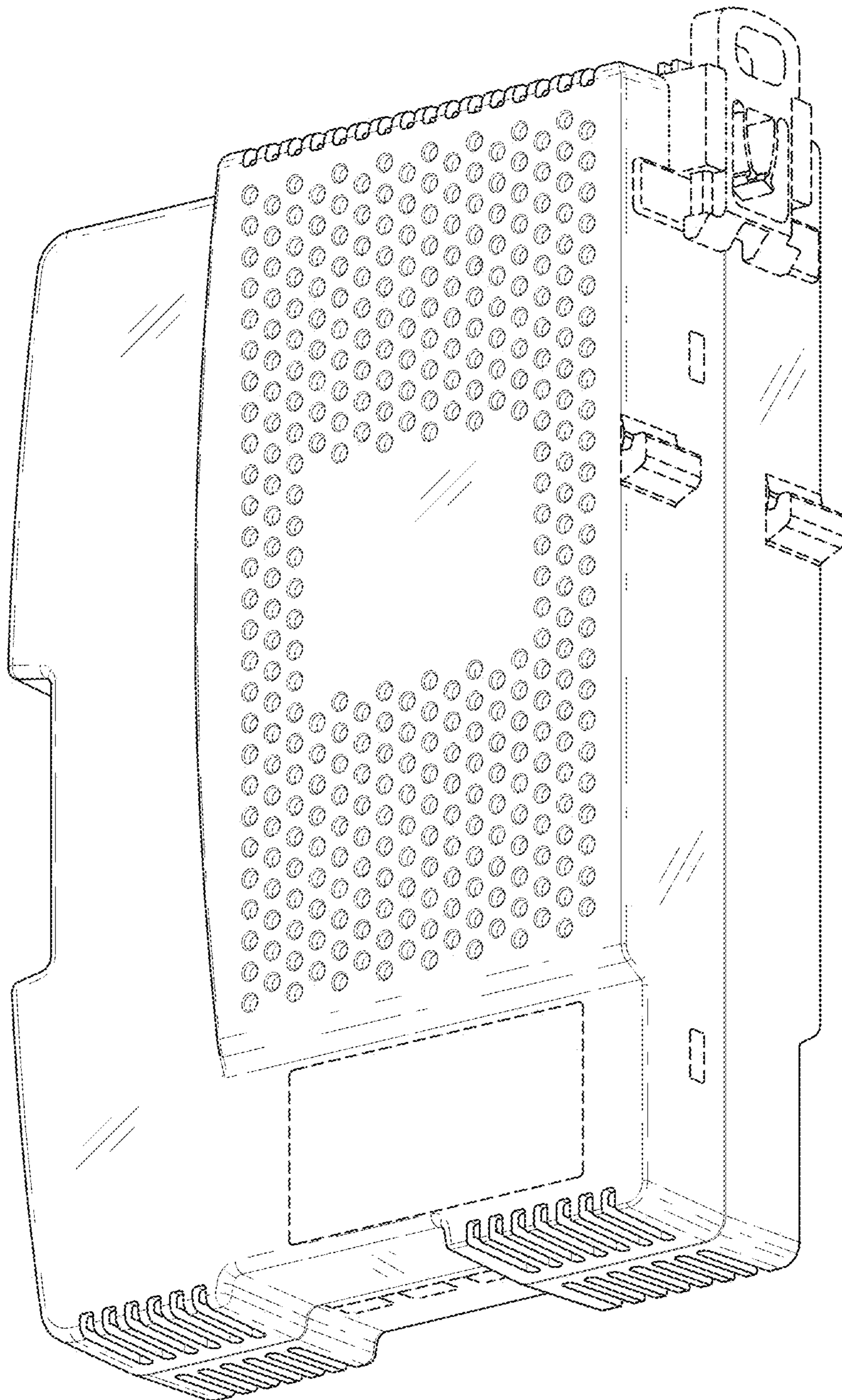


FIG. 8