



US00D898676S

(12) **United States Design Patent** (10) **Patent No.:** **US D898,676 S**
Temblador et al. (45) **Date of Patent:** **** *Oct. 13, 2020**

(54) **FLANGE**

- (71) Applicant: **SOUTHWIRE COMPANY, LLC**, Carrollton, GA (US)
- (72) Inventors: **Richard Mike Temblador**, Carrollton, GA (US); **Myron Dale Deese**, Carrollton, GA (US); **Harry William Kent, Jr.**, Carrollton, GA (US); **Juan Alberto Galindo Gonzalez**, Powder Springs, GA (US); **James Philip Tuggle**, Carrollton, GA (US); **Franklin Clarence Calhoun**, Carrollton, GA (US)
- (73) Assignee: **Southwire Company, LLC**, Carrollton, GA (US)
- (*) Notice: This patent is subject to a terminal disclaimer.
- (**) Term: **15 Years**
- (21) Appl. No.: **29/647,337**
- (22) Filed: **May 11, 2018**

Related U.S. Application Data

- (63) Continuation of application No. 29/569,100, filed on Jun. 23, 2016, now Pat. No. Des. 818,440.
- (51) **LOC (12) Cl.** **13-03**
- (52) **U.S. Cl.**
USPC **D13/154**
- (58) **Field of Classification Search**
USPC D13/154, 155, 133, 146, 147, 123, D13/137.1-139.8; D8/396, 397, 399, D8/313; D22/140; D7/533, 543, 547, D7/548, 552.1, 318, 320, 600, 705, 622, D7/709, 361, 687, 642-664, 393, 401.2;
(Continued)

(56) **References Cited**

U.S. PATENT DOCUMENTS

220,460 A 10/1879 Yobk
 308,411 A 11/1884 Harding
 (Continued)

FOREIGN PATENT DOCUMENTS

CA 2869183 A1 12/2013
 CN 102107824 A 6/2011
 (Continued)

OTHER PUBLICATIONS

File: Kidney beans.jpg, published Mar. 4, 2007, [online], [retrieved on Sep. 1, 2019]. Retrieved from Internet, <URL: https://en.wikipedia.org/wiki/File:Kidney_beans.jpg>.*
 (Continued)

Primary Examiner — Bridget L Eland
 (74) *Attorney, Agent, or Firm* — Merchant & Gould P.C.

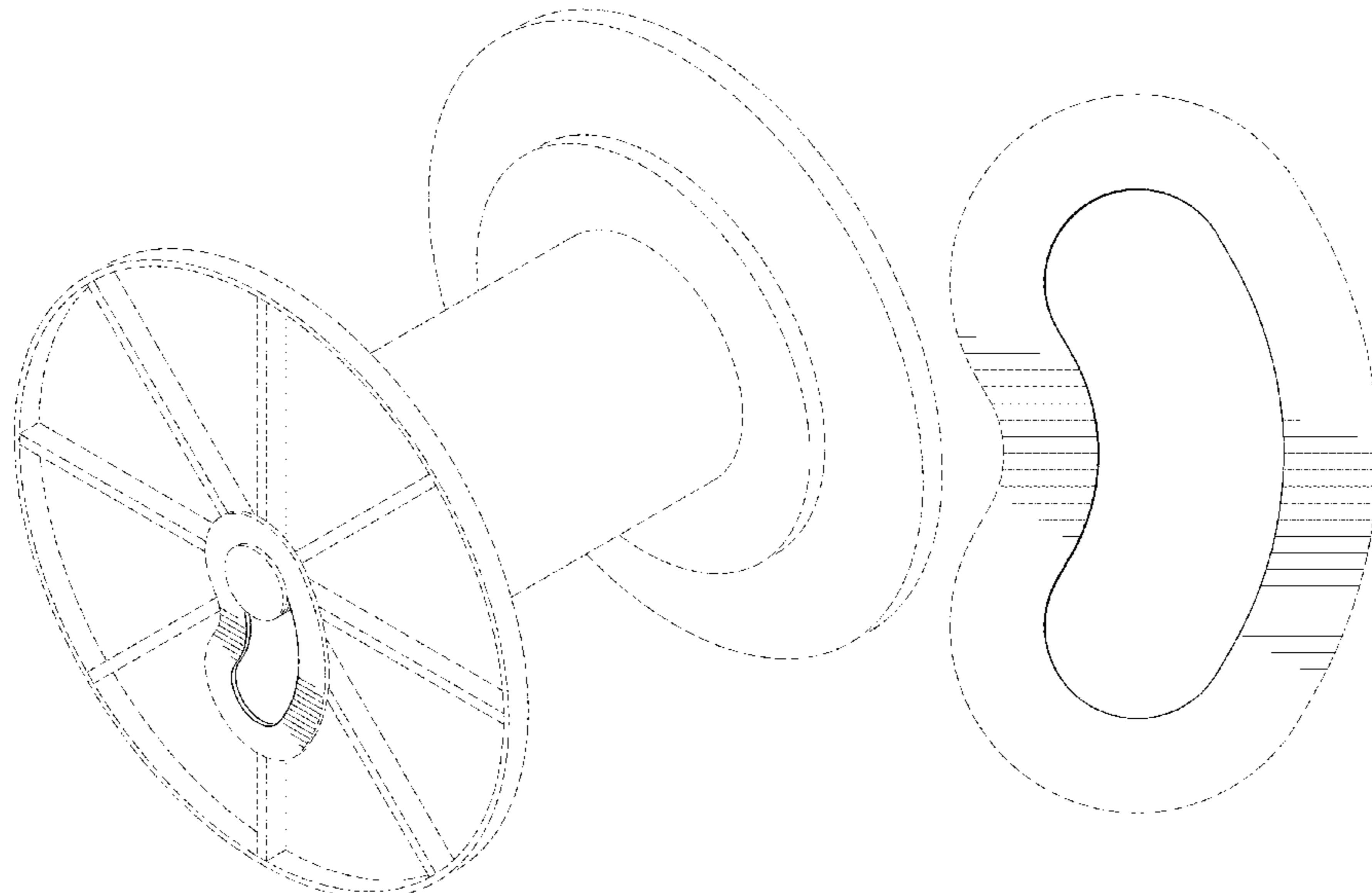
(57) **CLAIM**

The ornamental design for a flange, as shown and described.

DESCRIPTION

FIG. 1 is an isometric view of a flange according to our design;
 FIG. 2 is a perspective view of the flange of FIG. 1, shown removed from environment in order to show aspects of the design that are otherwise not apparent;
 FIG. 3 is a front elevation view thereof; and,
 FIG. 4 is a rear elevation view thereof.
 The broken lines immediately adjacent the shaded areas represent the bounds of the claimed design while all other broken lines are directed to environment and are for illustrative purpose only; and the broken lines form no part of the claimed design.

1 Claim, 3 Drawing Sheets



(58)	Field of Classification Search						
	USPC	D24/140; D11/204, 211, 217, 219, 223, D11/238, 14, 30, 44, 48, 81, 100, 133, D11/149, 157, 172		4,298,174 A	11/1981	Kovaleski	
	CPC	B65H 75/185; B65H 75/248; B65H 75/22; B65H 75/146; B65H 75/403		4,310,991 A	1/1982	Seely	
	See application file for complete search history.			4,325,522 A	4/1982	Sauber	
				4,333,616 A	6/1982	Strouse	
				4,352,258 A	10/1982	Bursk et al.	
				4,354,644 A	10/1982	Grant	
				D270,329 S	8/1983	Hardy	
				4,447,012 A	5/1984	Woodruff	
				4,462,555 A *	7/1984	Olson	B65H 75/22 242/118.6
(56)	References Cited			4,492,405 A	1/1985	Chikaraishi et al.	
	U.S. PATENT DOCUMENTS			4,496,186 A	1/1985	Tuchiya et al.	
				4,513,536 A	4/1985	Giguere	
	364,434 A	6/1887	Pitmon	4,549,761 A	10/1985	Lee et al.	
	486,010 A	11/1892	Wirt	4,605,237 A	8/1986	Torgrimson	
	582,451 A	5/1897	Brandon	4,626,026 A	12/1986	Hasegawa	
	613,138 A	10/1898	Gempeler	4,628,639 A	12/1986	Lownsdale	
	709,932 A	9/1902	Schooley	4,686,793 A	8/1987	Mills	
	D49,693 S *	9/1916	Abbott	4,716,683 A	1/1988	Minter	
	1,353,541 A	9/1920	Retterer	4,726,147 A	2/1988	Beske et al.	
	1,461,939 A	7/1923	Sager	4,746,078 A	5/1988	Setzke	
	1,561,160 A	11/1925	Ingenthron	4,747,561 A	5/1988	Sweeny et al.	
	D73,119 S *	7/1927	Barchoff	4,784,221 A	11/1988	Share et al.	
	1,661,991 A	3/1928	Benit	4,807,923 A	2/1989	Nakamura	
	1,726,137 A	8/1929	Suarez Y Bernal	4,825,507 A	5/1989	Killingstad	
	1,795,853 A	3/1931	Glass	4,831,779 A	5/1989	Kehrli et al.	
	1,852,939 A	4/1932	Schmidt	4,919,471 A	4/1990	Seino et al.	
	1,858,825 A	5/1932	Hescock	4,948,064 A	8/1990	Richard	
	1,882,950 A	10/1932	Rulon, Jr.	5,040,739 A	8/1991	Wolf et al.	
	1,949,378 A	2/1934	Roehm	5,054,745 A	10/1991	Swayze et al.	
	1,961,376 A	6/1934	McIlvried	5,060,882 A	10/1991	Rousculp et al.	
	2,132,043 A	10/1938	Oldham	5,113,976 A	5/1992	Noakes	
	D139,561 S *	11/1944	Wentling	D327,111 S *	6/1992	Hemming	D22/134
	D152,874 S *	3/1949	Forman	D344,692 S	3/1994	Ruston	
	2,549,224 A	4/1951	Moldovan	D347,988 S	6/1994	Thorne	
	2,553,835 A	5/1951	Sachs	D351,315 S *	10/1994	van Stolk	D7/533
	2,707,599 A	5/1955	Snyder	D354,572 S	1/1995	Headrick	
	2,720,285 A	10/1955	Taylor	5,379,965 A	1/1995	Isler et al.	
	2,960,857 A	11/1960	Winter	5,490,805 A	2/1996	Bredesen	
	2,982,491 A	5/1961	Beiderwell	5,611,173 A	3/1997	Headrick et al.	
	3,009,667 A	11/1961	Browne	D380,344 S *	7/1997	Laib	D7/393
	3,152,772 A	10/1964	Schjerven	D385,525 S	10/1997	Beavers et al.	
	3,184,175 A	5/1965	Geen	5,743,486 A	4/1998	Bulman	
	3,207,456 A	9/1965	Hill	5,752,670 A	5/1998	Lasecki et al.	
	3,294,338 A	12/1966	O'Brien	5,868,348 A	2/1999	Bulman	
	3,298,667 A	1/1967	Grantham et al.	5,908,172 A	6/1999	Pierro et al.	
	D208,088 S *	7/1967	Banner	D420,931 S *	2/2000	Philipson	D11/14
	3,393,790 A	7/1968	Dixon	6,105,604 A	8/2000	Furness	
	3,405,881 A	10/1968	Sanford et al.	6,122,864 A	9/2000	Martin	
	3,450,366 A	6/1969	Goldberg	6,138,413 A	10/2000	Fehr	
	3,633,316 A	1/1972	Belser	D435,400 S *	12/2000	Veltz	D3/220
	3,652,026 A	3/1972	Awebro	6,161,343 A	12/2000	Young	
	3,762,100 A	10/1973	Kempel	6,193,185 B1	2/2001	Kim	
	3,820,733 A	6/1974	Roederer	6,234,421 B1	5/2001	Cox et al.	
	3,822,841 A	7/1974	Campbell	D446,998 S *	8/2001	Cappadona	D7/393
	3,850,382 A	11/1974	Clingerman et al.	6,299,100 B1	10/2001	Cloud	
	3,860,193 A	1/1975	Green	6,305,409 B1	10/2001	Furness	
	3,900,967 A	8/1975	Bursk et al.	6,318,665 B1	11/2001	King	
	3,967,412 A	7/1976	Governale	6,419,184 B1	7/2002	Oppmann et al.	
	3,976,260 A	8/1976	Irik	6,426,454 B1	7/2002	Gregory	
	3,997,127 A	12/1976	Kovaleski	6,435,450 B1	8/2002	Shields et al.	
	4,006,562 A	2/1977	Belanger et al.	D472,102 S	3/2003	Tyler et al.	
	4,034,933 A	7/1977	Hara et al.	D488,243 S	4/2004	Babka et al.	
	4,047,751 A	9/1977	Koike	D510,017 S	9/2005	Messina	
	4,055,917 A	11/1977	Coller	6,978,960 B2	12/2005	Schaller	
	4,060,272 A	11/1977	Mori	D522,834 S	6/2006	Lalancette et al.	
	4,074,464 A	2/1978	McCay	7,222,818 B2	5/2007	Couchey et al.	
	4,176,801 A	12/1979	Douglas	D566,166 S	4/2008	DeMars	
	4,183,475 A	1/1980	Martija	D590,692 S	4/2009	Calatrava Valls	
	D254,595 S	4/1980	Hart	7,594,771 B2	9/2009	Mindler	
	4,224,766 A	9/1980	Procton	D613,231 S	4/2010	Anderson et al.	
	4,226,383 A *	10/1980	Douglas	7,861,904 B1	1/2011	Taylor et al.	
				7,874,511 B2	1/2011	Chiorgno et al.	
	4,232,837 A	11/1980	Cutler et al.	D641,708 S	7/2011	Yamauchi	
	4,237,664 A	12/1980	Wilmes	8,016,267 B2	9/2011	Jordan et al.	
	4,255,902 A	3/1981	Ruff	8,245,965 B2	8/2012	Andrea et al.	
	4,287,684 A	9/1981	McKann	8,272,591 B2	9/2012	Baranov et al.	
	4,289,418 A	9/1981	Westin et al.	8,403,345 B2	3/2013	Lossa et al.	
	4,290,233 A	9/1981	Hubbard	D679,951 S *	4/2013	Khaoorn	D7/538

(56)

References Cited

U.S. PATENT DOCUMENTS

8,444,078	B1	5/2013	Brown et al.	
8,602,341	B2	12/2013	Land	
8,616,485	B2	12/2013	Iossa	
D709,932	S	7/2014	Schuetz et al.	
9,027,908	B1	3/2015	Calhoun et al.	
9,004,392	B1	4/2015	Bigbee, Jr. et al.	
9,016,607	B2	4/2015	Wong et al.	
D742,733	S	11/2015	Galindo Gonzalez et al.	
D763,674	S *	8/2016	Nagaki	D8/394
9,409,744	B2	8/2016	Jordan et al.	
9,452,908	B1	9/2016	Bigbee, Jr. et al.	
9,617,112	B1	4/2017	Temblador	
D787,024	S	5/2017	Ball	
9,828,209	B2	11/2017	Temblador	
D815,049	S	4/2018	Temblador et al.	
D817,893	S	5/2018	Temblador et al.	
D818,440	S	5/2018	Temblador et al.	
D828,308	S *	9/2018	Smith	D13/155
D836,560	S	12/2018	Temblador et al.	
10,221,036	B2	3/2019	Temblador et al.	
2007/0114039	A1	5/2007	Hobdy et al.	
2007/0181739	A1	8/2007	Derendal	
2007/0257146	A1	11/2007	Fleming	
2008/0048063	A1	2/2008	Wells et al.	
2009/0173212	A1	7/2009	Wold	
2010/0044490	A1	2/2010	Fleming	
2011/0162916	A1	7/2011	Saliger et al.	
2012/0104146	A1	5/2012	Perry	
2012/0199683	A1	8/2012	Cox et al.	
2012/0223179	A1	9/2012	Galindo Gonzalez et al.	
2013/0008995	A1	1/2013	Langella	
2013/0284852	A1	10/2013	Fuller et al.	
2014/0091770	A1	4/2014	Lee et al.	
2014/0193235	A1	7/2014	Kennedy et al.	
2015/0291386	A1	10/2015	Watkins	
2015/0321876	A1	11/2015	Galindo Gonzalez et al.	
2015/0322980	A1	11/2015	Giacalone et al.	
2017/0081147	A1	3/2017	Mickey et al.	
2017/0210589	A1	7/2017	Temblador et al.	
2017/0275131	A1	9/2017	Temblador et al.	
2018/0029825	A1 *	2/2018	Temblador	B65H 49/321
2019/0193984	A1	6/2019	Temblador et al.	

FOREIGN PATENT DOCUMENTS

CN	103910251	A	7/2014
CN	203903693	U	10/2014
CN	203922263	U	11/2014
DE	10232897	A1	2/2004
DE	102004008328	A1	9/2005
DE	102010021357	A1	2/2011
FR	2425486	A1	12/1979
GB	711140	A	6/1954
GB	719830	A	12/1954
GB	954244	A	4/1964
GB	1015528	A	1/1966
GB	1048101	A	11/1966
JP	60052444	A	3/1985
JP	H05127317	A	5/1993
SE	339368	B	10/1971
WO	020107	A1	1/2002
WO	03035529	A1	5/2003
WO	2012158485	A1	11/2012
WO	2013041771	A1	3/2013

OTHER PUBLICATIONS

White Hospital Pan Emesis Basin Enamel Pan Vinta, item sold on Jun. 14, 2012, [online], [retrieved on Sep. 6, 2019]. Retrieved from Internet ,<URL: https://www.etsy.com/listing/92764022/white-hospital-pan-emesis-basin-enamel?show_sold_out_detail=1>.*

Vintage Enamel Kidney Bean Shaped Hospital Basin, sold on Mar. 14, 2020, [online], [retrieved on Sep. 6, 2019]. Retrieved from

Internet ,<URL: https://www.etsy.com/listing/87605522/vintage-enamel-kidney-bean-shaped?show_sold_out_detail=1>.*

Stainless steel kidney pan, vintage, [online], [retrieved on Sep. 6, 2019]. Retrieved from Internet ,<URL: https://www.etsy.com/listing/128807055/stainless-steel-kidney-pan-extra-large?ref=unav_listing-same-1>.*

Non-Final Office Action dated Dec. 12, 2011 in U.S. Appl. No. 12/604,883, 11 pages.

Notice of Allowance dated Apr. 16, 2012 in U.S. Appl. No. 12/604,883, 7 pages.

Encore Wire Corporation YouTube.com video for Reel Payoff®, published on Feb. 6, 2013, 2016, retrieved on May 23, 2016 from <https://www.youtube.com/watch?v=KnXJGTtWY0E>.

Encore Wire Corporation, Reel Payoff, Copyright 2013 Encore Wire Corporation, 1 page.

Southwire Reel Data, Copyright 2014, Southwire Company, 5 pages.

“Tidland Raptor Series Air Powered Lug Chucks, Copyright 2015 Maxcess International, Inc., 5 pages. Last Accessed Sep. 17, 2015 <http://www.maxcessintl.com/core-chucks/tidland-raptor-series-air-powered-lug-chucks>”.

“SchlumpfUSA, SDE Pneumatic Core Chucks, 1 page. Last Accessed Sep. 17, 2015 <http://www.schlumpf-inc.com/products/chucks/pneumatic-core-chucks/>”.

Double E Company, Core Chucks, PC-4000 Torque-Independent Core Chucks, Copyright 2015 Double E Company L.L.C., 2 pages. Last Accessed Sep. 17, 2015 <http://ee-co.com/products/pc4000-torque-independent-core-chuck>.

Non-Final Office Action dated Dec. 22, 2015 in U.S. Appl. No. 14/198,348, 10 pages.

Notice of Allowance dated Jul. 8, 2015 in Design U.S. Appl. No. 29/488,243, 8 pages.

Wire Wizard Dereeling Arms Specification Sheets, 2 pages. Last Accessed Sep. 17, 2015 http://www.wire-wizard.com/spec_sheets/DereelingArms_11-5-12.pdf.

Cable Reel Trolley—Large, Brandon Tool Hire, Retrieved on Apr. 6, 2016 from: <http://www.brandontoolhire.co.uk/en/moving-and-winchng/672-cable-reel-trolley-large.html>.

DTS1 Drum Tip Stand, SEB International, Retrieved on Apr. 6, 2016 from: <http://www.sebinternational.com/shop.php?sec=prod&prod=75>.

International Search Report with Written Opinion dated Nov. 7, 2016 in PCT Application No. PCT/US16/47592, 12 pages.

Lever Action Cable Reel Jack, WCT Products, Retrieved on Apr. 6, 2016 from: <http://www.wctproducts.com/products/reels/lever-action-reel-jack.php>.

Non-Final Office Action dated Apr. 25, 2016 in U.S. Appl. No. 14/198,348, 9 pages.

Non-Final Office Action dated Oct. 13, 2016 in U.S. Appl. No. 15/239,163, 13 pages.

Non-Final Office Action dated Nov. 15, 2016 in U.S. Appl. No. 15/287,429, 16 pages.

Notice of Allowance dated Dec. 2, 2016 in U.S. Appl. No. 15/239,163, 9 pages.

Corrected Notice of Allowability dated Feb. 27, 2017 in U.S. Appl. No. 15/239,163, 2 pages.

Notice of Allowance dated Mar. 15, 2017 in U.S. Appl. No. 15/287,429, 9 pages.

Notice of Allowance dated Dec. 12, 2017 in U.S. Appl. No. 29/569,124, 8 pages.

Notice of Allowance dated Jul. 25, 2017 in U.S. Appl. No. 15/287,429, 7 pages.

Notice of Allowance dated Jan. 19, 2018 in U.S. Appl. No. 29/569,122, 11 pages.

Notice of Allowance dated Mar. 14, 2018 in U.S. Appl. No. 29/569,122, 5 pages.

Non-Final Office Action dated May 4, 2018 in U.S. Appl. No. 15/482,025, 8 pages.

“Double E Company, Core Chucks, DF-2000 Torque Activated Core Chucks, Copyright 2015 Double E Company L.L.C., 5 pages. Last Accessed Sep. 17, 2015 <http://ee-co.com/products/torque-activated-shaftless-core-chucks>”.

(56)

References Cited

OTHER PUBLICATIONS

PC-4000 Torque Independent Core Chuck, The DoubleECompany <https://youtu.be/FdFTirmJ2SE> (:35-:60).

DF-2000 Torque Activated Shaftless Core Chucks, The DoubleECompany https://youtu.be/X_LKv4iaiig (:40-:60).

Servicing Tidland Raptor Series Air Powered Chucks, Maxcess Webex, Fife, Tidland, MAGPOWR <https://youtu.be/JfRUJHOSE-U> (:40-:60).

McMaster-Carr Catalog, Ball Bearings, available at <http://www.mcmaster.com/#r6-ball-bearings/=12hbnve>.

MP J02 Maxis Pro-Jax Reel Stands, Southwire Company, LLC <http://www.southwiretools.com/tools/tools/MPJ02>.

Maxis ProJax, Southwire Company, LLC <https://www.youtube.com/watch?v=8f2VIYwfeeY> (2:00-2:07; 1:49-1:53; and 2:40-3:04).

Maxis Pro Jax Reel Stands, SchellCompany <https://www.youtube.com/watch?v=UZZHRy7Q9vs> (:19-:24).

International Preliminary Report on Patentability dated Mar. 1, 2018 in International Patent Application No. PCT/US2016/047592, 11 pages.

Notice of Allowance dated Aug. 15, 2018 in U.S. Appl. No. 29/643,214, 8 pages.

Notice of Allowance dated Oct. 3, 2018 in U.S. Appl. No. 15/482,025, 7 pages.

File: Bass clef pendant.jpg, Summary Date Oct. 25, 2010, [online], [retrieved on Sep. 6, 2019]. Retrieved from Internet ,<URL: https://commons.wikimedia.org/wiki/File:Bass_clef_pendant.jpg>.

Ideal present for Bass Players from Crazy Pig Designs, published Nov. 7, 2010, [online], [retrieved on Sep. 6, 2019]. Retrieved from Internet ,<URL: <http://crazypigdesigns.blogspot.com/2010/11/ideal-present-for-bass-players-from.html>>.

Bass Clef Mug, published Dec. 4, 2013, [online], [retrieved on Sep. 6, 2019]. Retrieved from Internet , <URL: https://www.amazon.com/BuyGifts-Bass-Clef-Mug/dp/BOOH36TJ92/ref=sr_1_4keywords=base+cleff&qid=1567786613&s=gateway&sr=8-14>.

Zazzle: Bass Player (Clef) T-Shirt, Created on: Dec. 2, 2012, [online], [retrieved on Sep. 6, 2019]. Retrieved from Internet ,<URL:https://www.zazzle.com/bass_player_clef_t_shirt-235436851212443709>.

Non-Final Office Action dated Aug. 23, 2019 in U.S. Appl. No. 15/726,158, 10 pages.

Non-Final Office Action dated Sep. 19, 2019 in U.S. Appl. No. 29/647,334, 13 pages.

Extended search report dated Jun. 26, 2019 in European Patent Application No. 16837851.1, 8 pages.

* cited by examiner

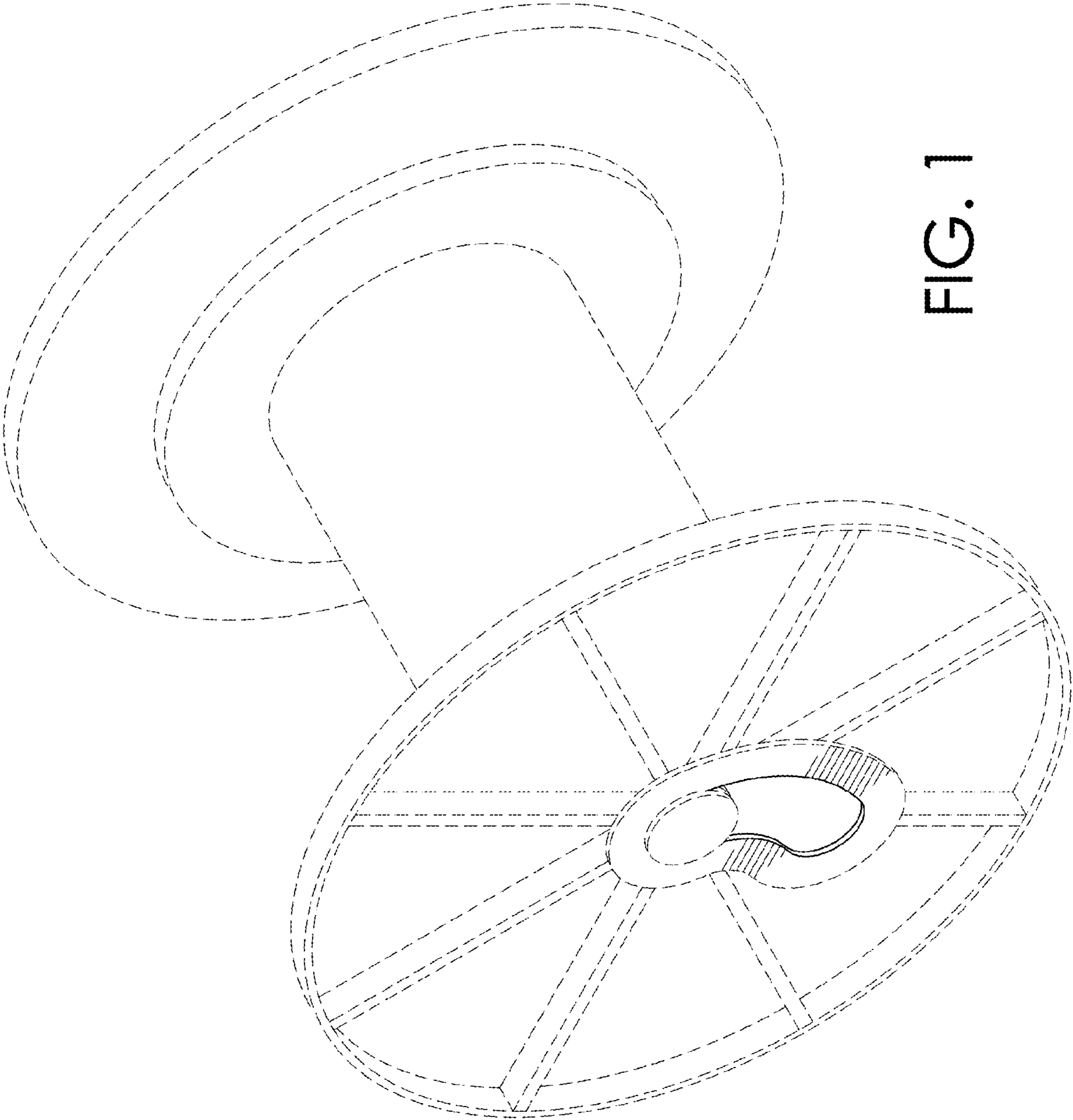


FIG. 1

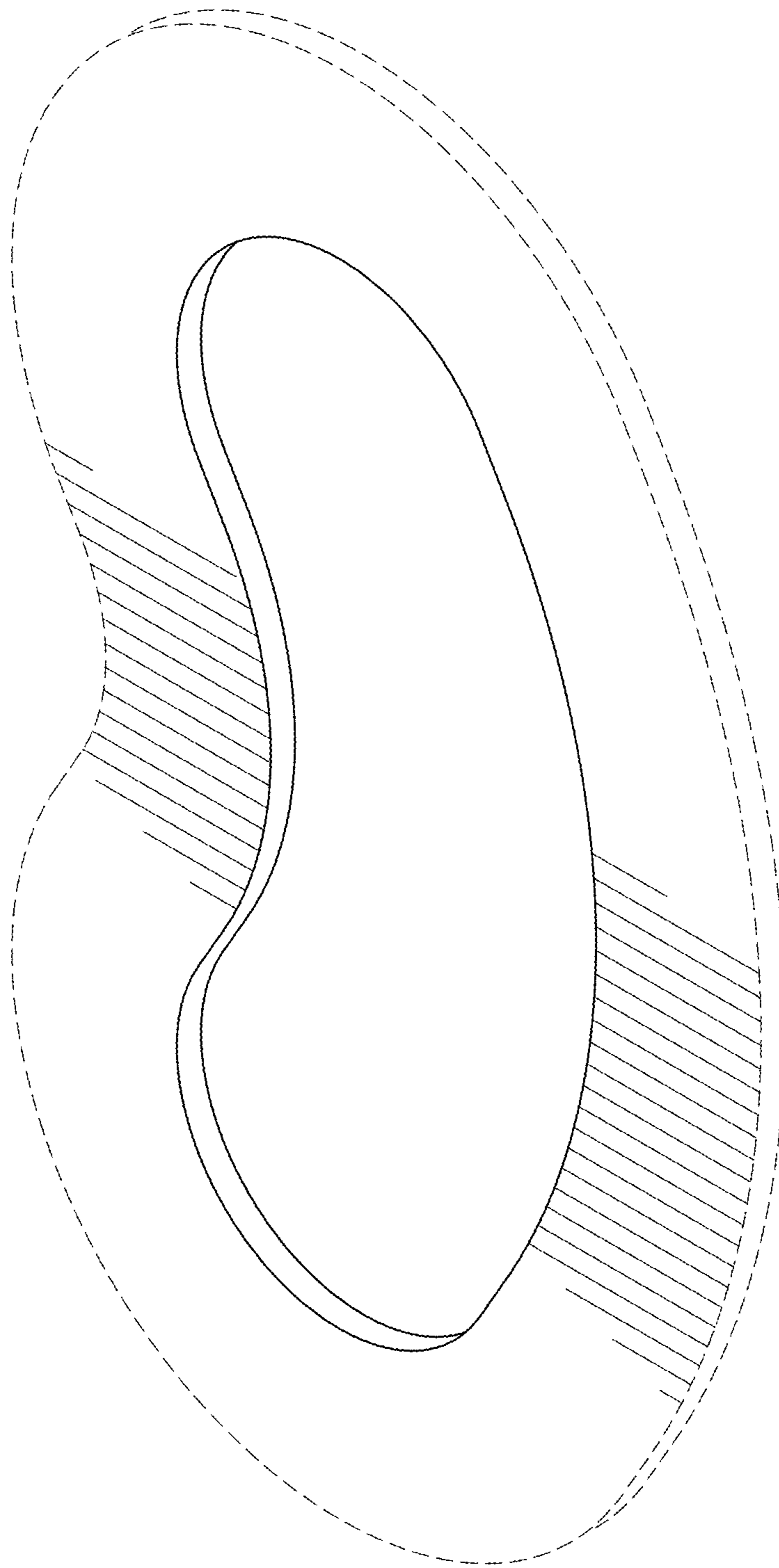


FIG. 2

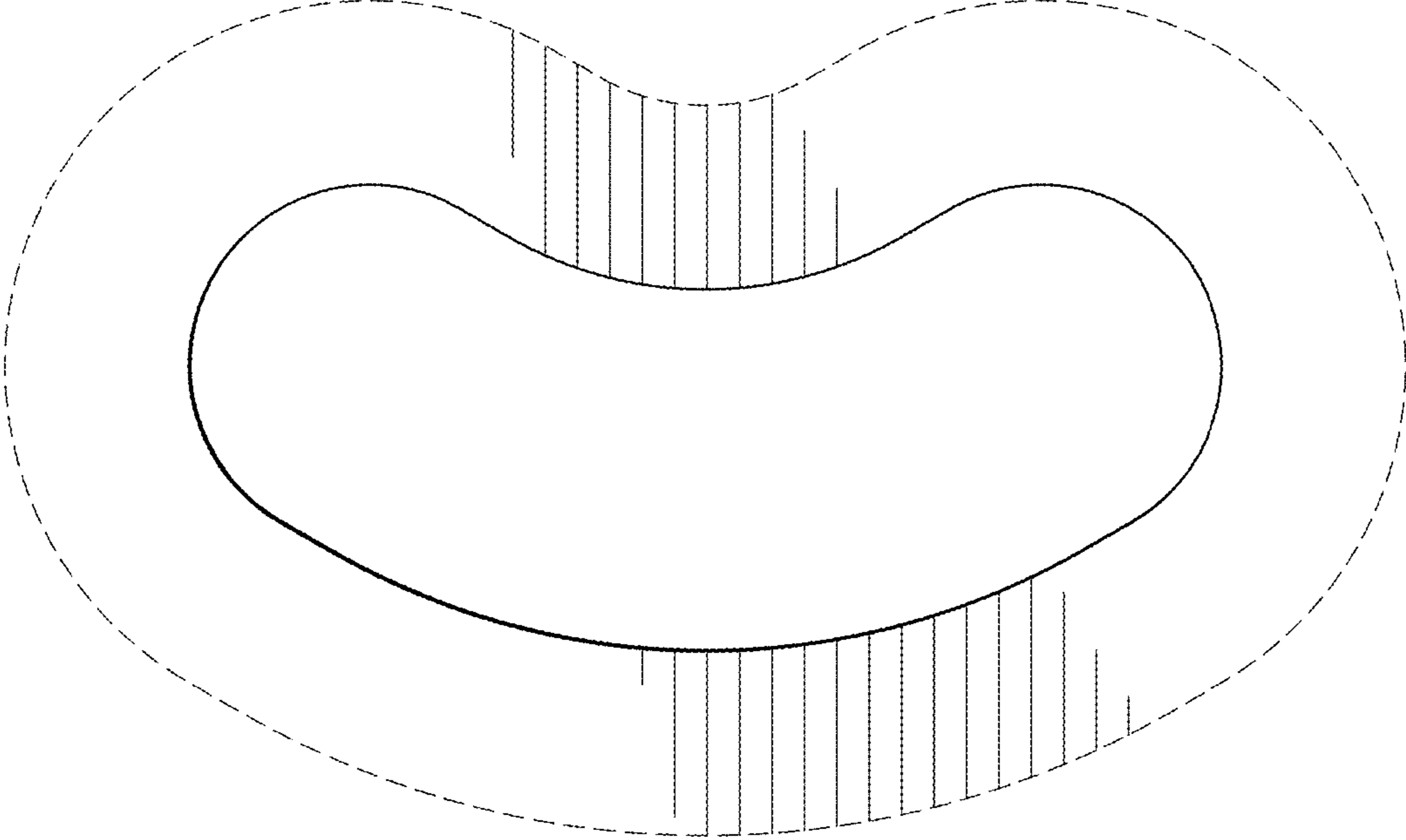


FIG. 4

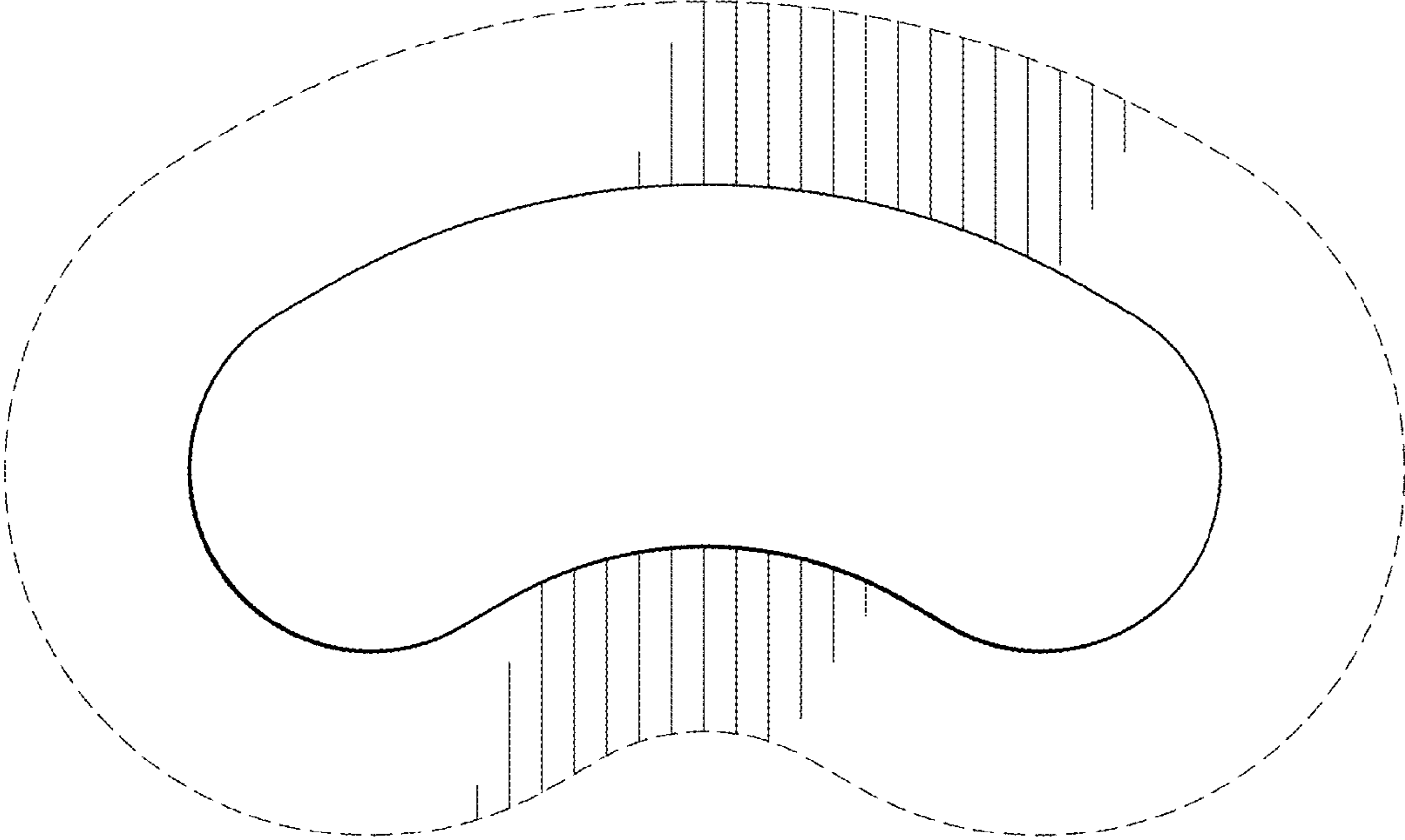


FIG. 3