



US00D898671S

(12) **United States Design Patent**
Grisack

(10) **Patent No.:** **US D898,671 S**

(45) **Date of Patent:** **** Oct. 13, 2020**

(54) **POWER BASE FOR DESK MOUNT ARM**

(74) *Attorney, Agent, or Firm* — Lerner, David, Littenberg, Krumholz & Mentlik, LLP

(71) Applicant: **EXEMPLIS LLC**, Cypress, CA (US)

(72) Inventor: **Scott Grisack**, Tampa, FL (US)

(57) **CLAIM**

(73) Assignee: **EXEMPLIS LLC**, Cypress, CA (US)

The ornamental design for a power base for desk mount arm, as shown and described.

(**) Term: **15 Years**

(21) Appl. No.: **29/611,191**

DESCRIPTION

(22) Filed: **Jul. 19, 2017**

(51) **LOC (12) Cl.** **13-03**

(52) **U.S. Cl.**
USPC **D13/139.1**

(58) **Field of Classification Search**
USPC D13/103, 107, 108, 110, 137.1–137.4,
D13/138.1–138.2, 139.1–139.8, 152, 154,
(Continued)

FIG. 1 is a front perspective view of a power base for desk mount arm of my design, according to a first embodiment; FIG. 2 is a front elevation view thereof; FIG. 3 is a top plan view thereof; FIG. 4 is a front perspective view of a power base for desk mount arm of my design, according to a second embodiment; FIG. 5 is a front elevation view thereof; FIG. 6 is a top plan view thereof; FIG. 7 is a front perspective view of a power base for desk mount arm of my design, according to a third embodiment; FIG. 8 is a front elevation view thereof; FIG. 9 is a top plan view thereof; FIG. 10 is a front perspective view of a power base for desk mount arm of my design, according to a fourth embodiment; FIG. 11 is a front elevation view thereof; FIG. 12 is a top plan view thereof; FIG. 13 is a rear elevation view of a power base for desk mount arm, according to all embodiments; FIG. 14 is a right side elevation view, the left side elevation view being a mirror image thereof, according to all embodiments; and, FIG. 15 is a bottom plan view, according to all embodiments.

(56) **References Cited**

U.S. PATENT DOCUMENTS

4,438,458 A 3/1984 Munscher
4,729,533 A 3/1988 Hillary et al.
(Continued)

FOREIGN PATENT DOCUMENTS

WO 0071002 A1 11/2000
WO 2014054041 A2 4/2014

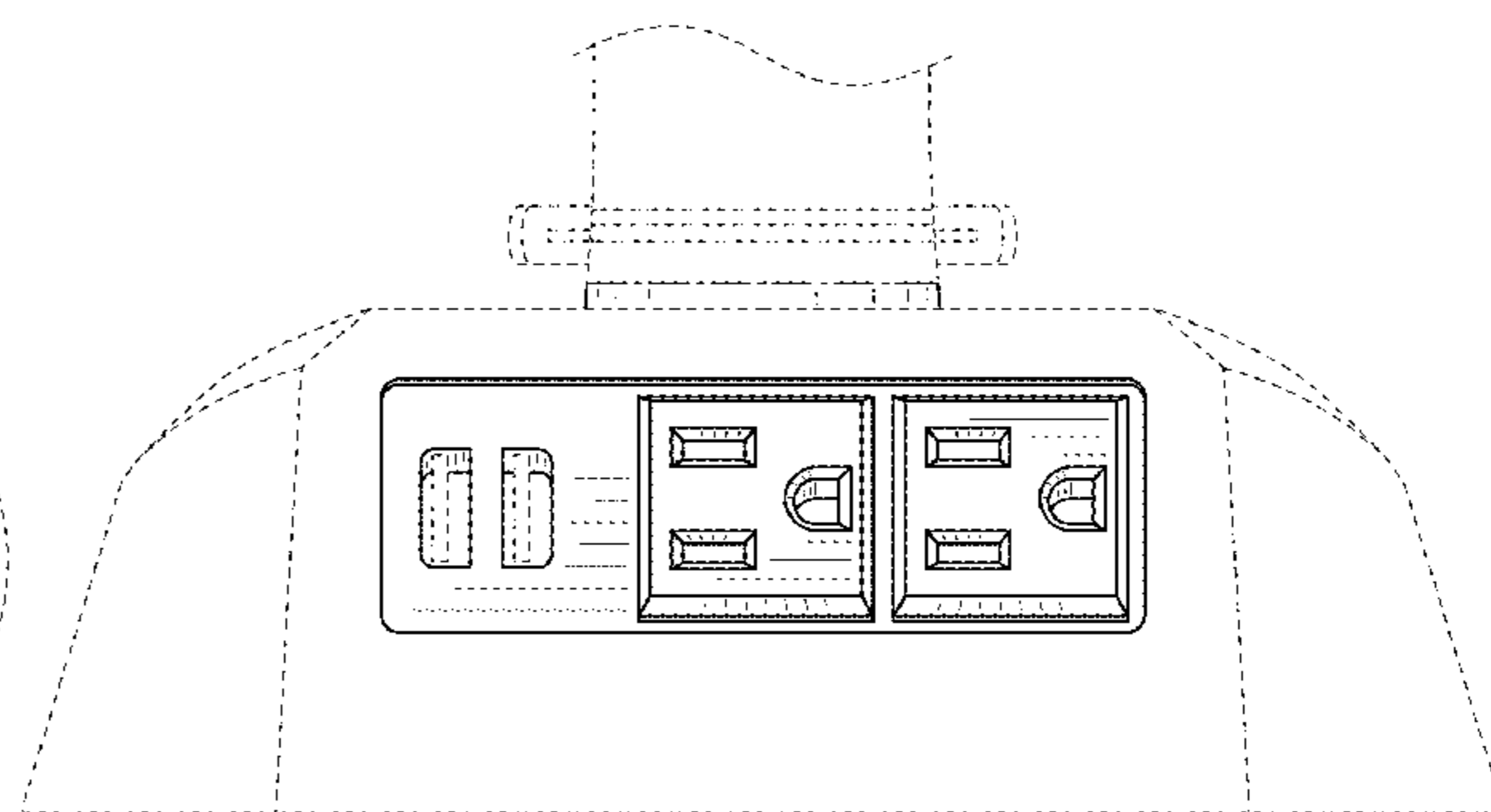
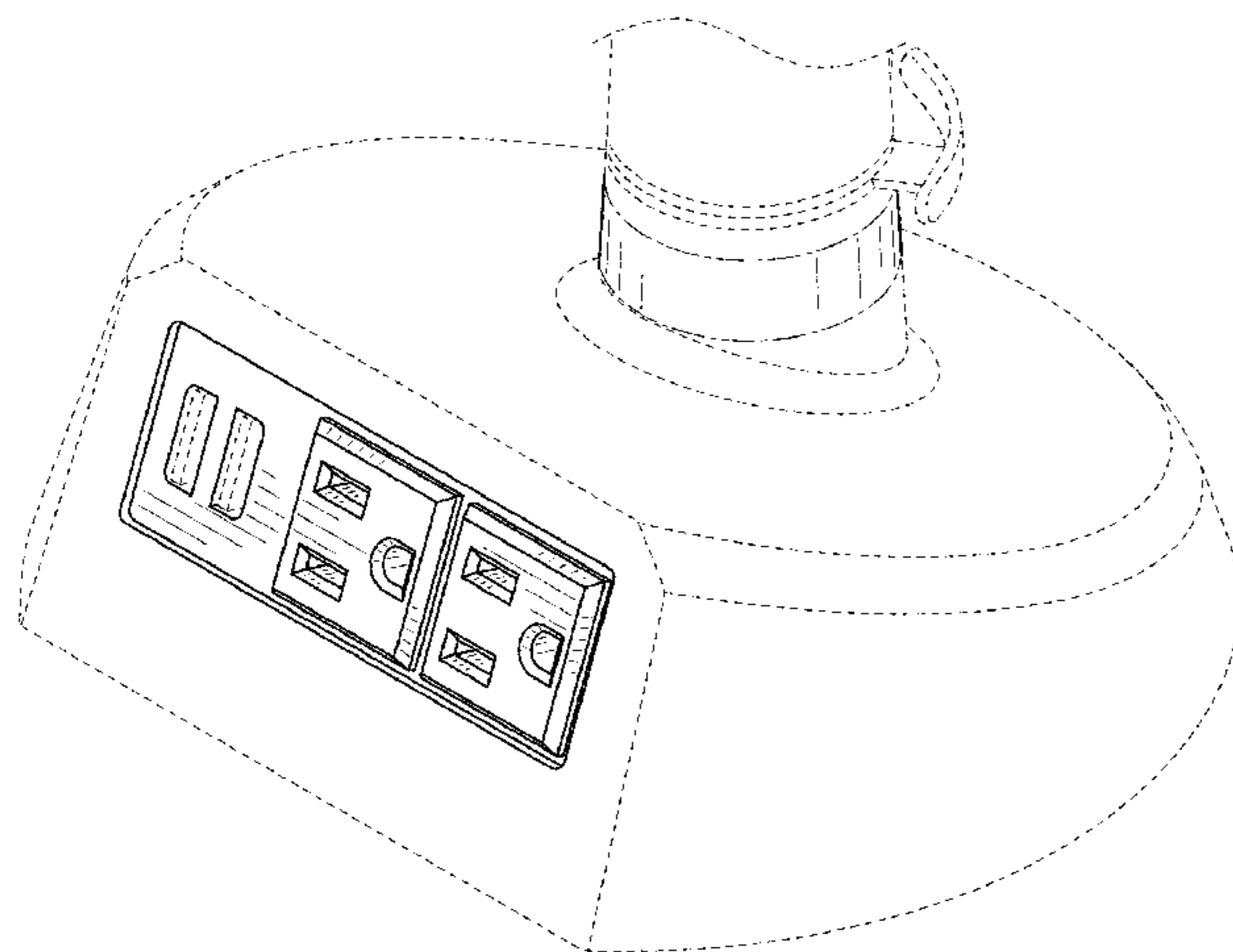
OTHER PUBLICATIONS

U.S. Appl. No. 62/534,386, filed Jul. 19, 2017 entitled “Monitor Stand Base With Integrated Outlets” (Not Yet Published).
(Continued)

The broken lines shown in the drawings are for the purpose of illustrating environmental structure and form no part of the claimed design. The dot-dash lines are boundary lines and form no part of the claimed design.

Primary Examiner — Rosemary K Tarca
Assistant Examiner — Christy M Nemeth

1 Claim, 15 Drawing Sheets



(58) **Field of Classification Search**

USPC D13/158, 171, 174, 184, 199; D14/250,
D14/251, 253, 432, 434, 451
CPC Y02E 60/12; Y02E 60/122; Y02E 60/124;
Y02E 60/50; H01M 2/02; H01M 2/022;
H01M 2/0202; H01M 2/0207; H01M
2/0212; H01M 2/1061; H01M 2/1022;
H01M 2/1055; H01M 2/1066; H01M
2/105; H01M 2/204; H01M 2/202; H01M
2/206; H01M 10/4257; H01M 10/0436;
H01M 10/48; H01M 10/44; H01M 10/46;
H01M 10/465; H01M 10/482; H01R
11/00; H01R 9/00; H01R 13/00; H01R
13/04; H01R 13/10; H01R 13/6666;
H01R 13/6675; H01R 25/00; H01R
25/006; H01H 2207/00; H01H 2207/022

See application file for complete search history.

(56) **References Cited**

U.S. PATENT DOCUMENTS

4,864,601 A 9/1989 Berry
5,107,402 A 4/1992 Malgouires
5,124,805 A 6/1992 Chung et al.
5,278,779 A 1/1994 Conway et al.
5,321,579 A 6/1994 Brown et al.
5,569,895 A 10/1996 Lynch et al.
5,668,570 A 9/1997 Ditzik
D386,782 S * 11/1997 Sasaki D14/451
D397,086 S * 8/1998 Lin D13/137.2
D408,355 S * 4/1999 Welsh D13/139.4
D411,981 S * 7/1999 Jeon-Chapman D13/139.1
5,978,211 A 11/1999 Hong
6,005,767 A 12/1999 Ku et al.
6,081,420 A 6/2000 Kim et al.
6,105,919 A 8/2000 Min
6,106,181 A 8/2000 Neuhof
6,108,195 A 8/2000 Behl et al.
6,134,103 A 10/2000 Ghanma
6,200,159 B1 3/2001 Chou
6,233,138 B1 5/2001 Osgood
6,268,998 B1 7/2001 Cho
6,275,375 B1 8/2001 Nam
6,418,010 B1 7/2002 Sawyer
D469,403 S * 1/2003 Nieto D13/137.2
6,510,049 B2 1/2003 Rosen
6,552,888 B2 4/2003 Weinberger
6,585,203 B1 7/2003 Euker
6,639,789 B2 10/2003 Beger
D494,971 S 8/2004 Jobs et al.

6,819,550 B2 11/2004 Jobs et al.
6,915,995 B2 7/2005 Gillespie
7,038,906 B2 5/2006 Hubbard
7,061,754 B2 6/2006 Moscovitch
7,283,354 B2 10/2007 Choi et al.
7,500,870 B2 3/2009 Picolli
D595,298 S * 6/2009 Zonshine D14/451
7,578,490 B2 8/2009 Kim
7,663,478 B2 2/2010 Oh et al.
7,773,371 B2 8/2010 Hillman et al.
D653,215 S * 1/2012 Lam D13/139.8
8,794,579 B2 8/2014 Sturman et al.
D717,732 S * 11/2014 Byrne D13/137.1
8,922,457 B2 12/2014 Moscovitch
D735,138 S * 7/2015 Miniger D13/139.7
D736,709 S * 8/2015 Byrne D13/137.1
D739,355 S * 9/2015 D'Aubeterre D13/139.8
D775,589 S * 1/2017 Soffer D13/139.1
D777,674 S * 1/2017 Mininger D13/139.7
9,746,128 B2 8/2017 Huang
D796,442 S * 9/2017 Xu D13/139.6
D801,979 S * 11/2017 Seo D14/451
9,818,314 B2 11/2017 Rodriguez et al.
D807,831 S * 1/2018 Xu D13/139.8
D814,420 S * 4/2018 Chen D13/137.2
10,117,353 B2 10/2018 Burns et al.
D846,500 S * 4/2019 Xu D13/137.4
10,280,956 B2 5/2019 Xiang et al.
D851,598 S * 6/2019 Liang D13/139.7
D851,599 S * 6/2019 Li D13/139.8
10,367,317 B1 * 7/2019 Rahner H01R 25/003
D856,937 S * 8/2019 Rupert D13/139.4
2001/0023914 A1 9/2001 Oddsen
2003/0075653 A1 4/2003 Li
2003/0117700 A1 6/2003 Vaccarelli et al.
2003/0176100 A1 9/2003 Yurek et al.
2004/0011932 A1 1/2004 Duff
2004/0031893 A1 2/2004 Smed
2005/0006542 A1 1/2005 Henning et al.
2005/0036283 A1 2/2005 Hillman et al.
2006/0133016 A1 6/2006 North et al.
2006/0250767 A1 11/2006 Brophy et al.
2010/0133208 A1 6/2010 Seo et al.
2012/0120581 A1 5/2012 Haren
2019/0025877 A1 * 1/2019 Grisack G06F 1/181

OTHER PUBLICATIONS

U.S. Appl. No. 16/038,724, filed Jul. 18, 2018 entitled "Monitor Stand Base With Integrated Outlets" (Not Yet Published).
U.S. Appl. No. 29/611,187, filed Jul. 19, 2017 entitled "Power Base for Desk Mount Arm" (Not Yet Published).

* cited by examiner

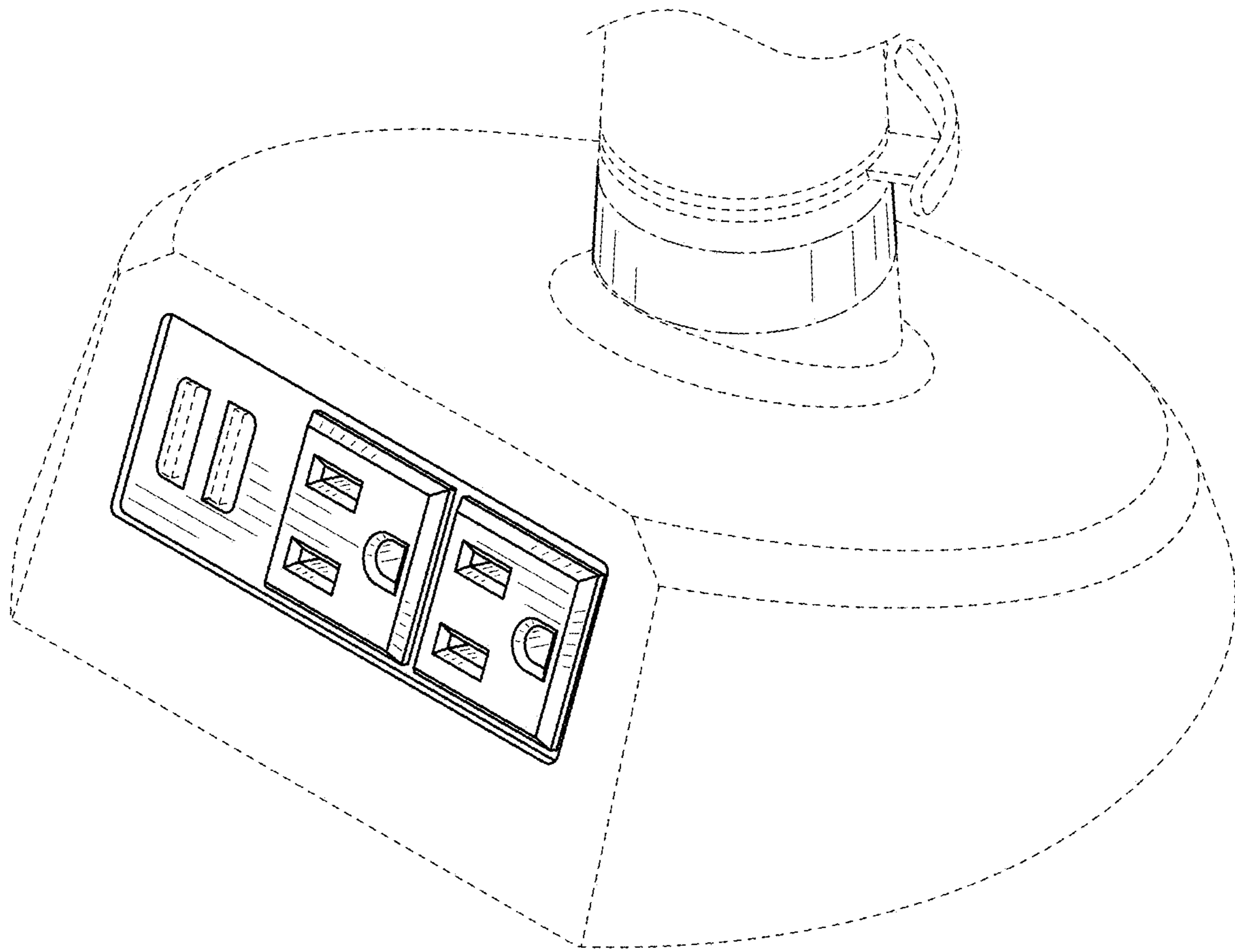


FIG. 1

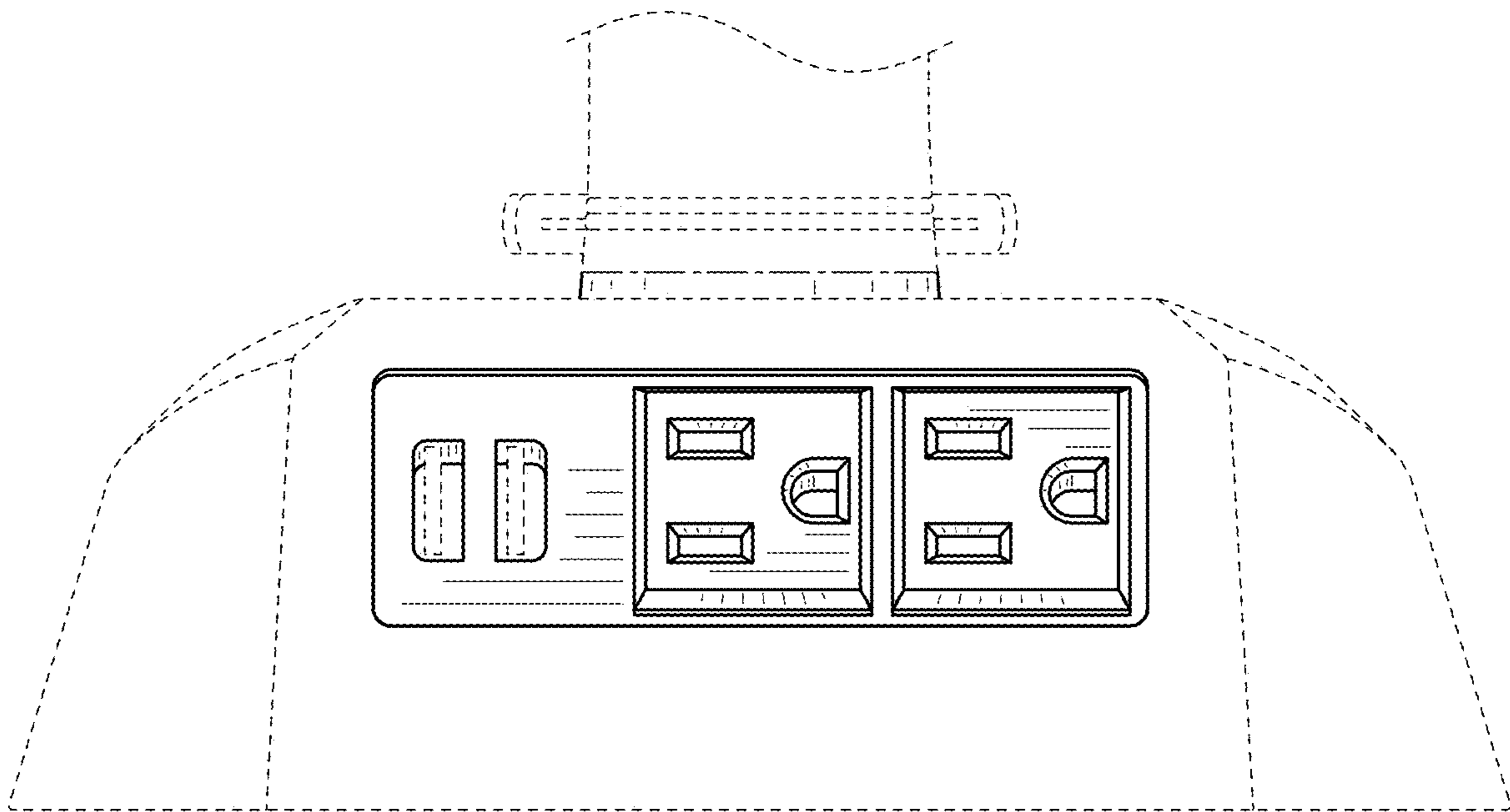


FIG. 2

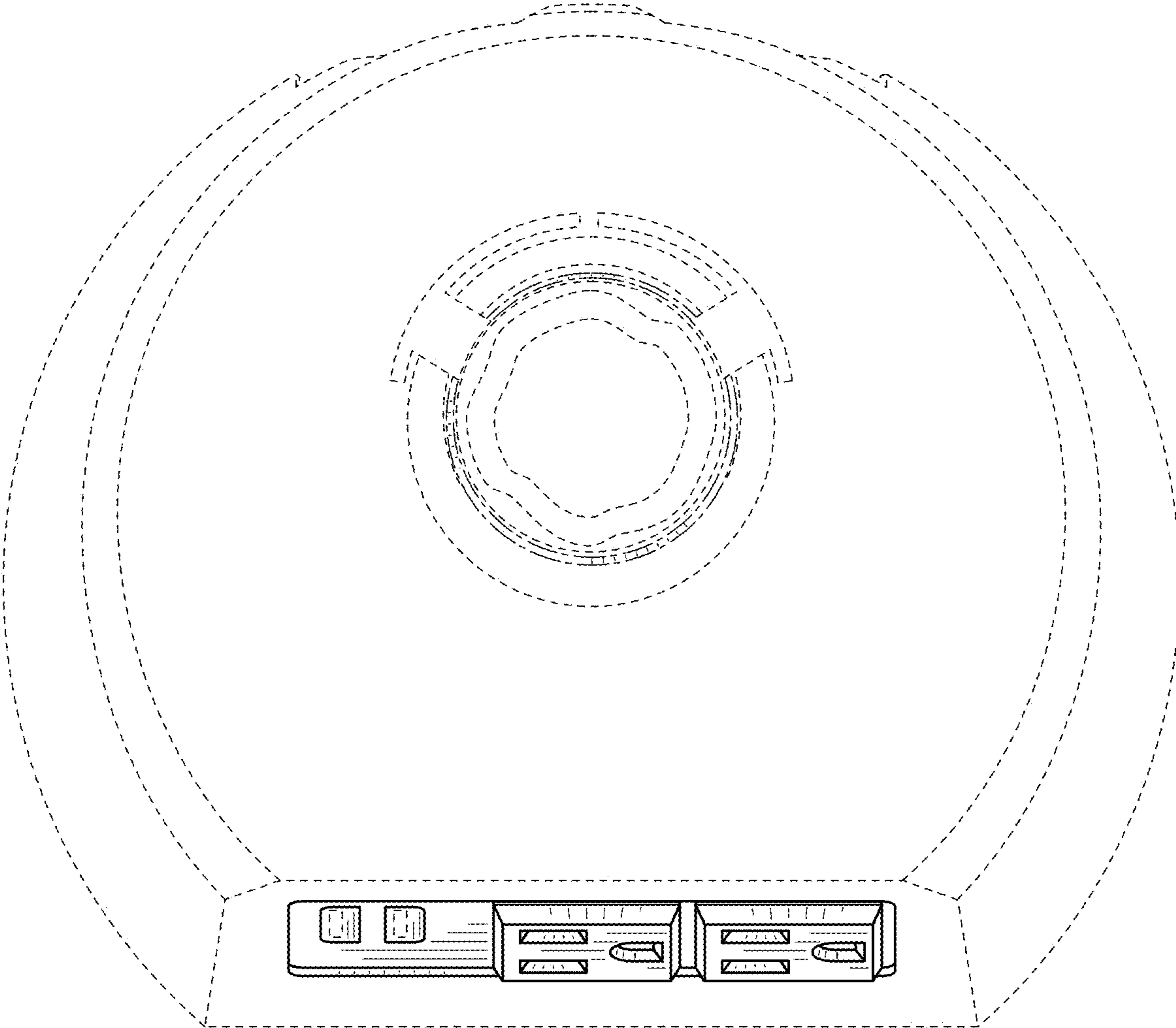


FIG. 3

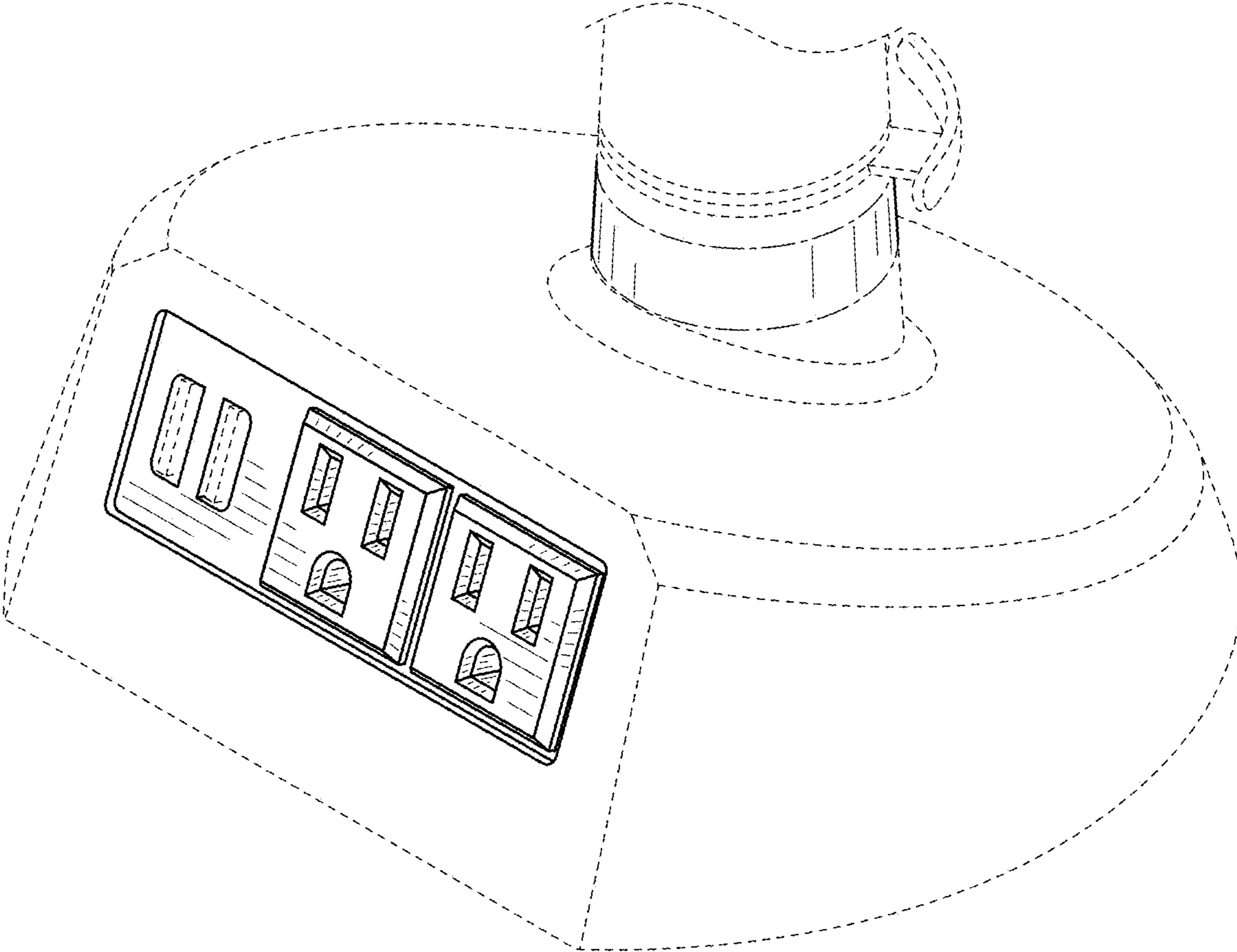


FIG. 4

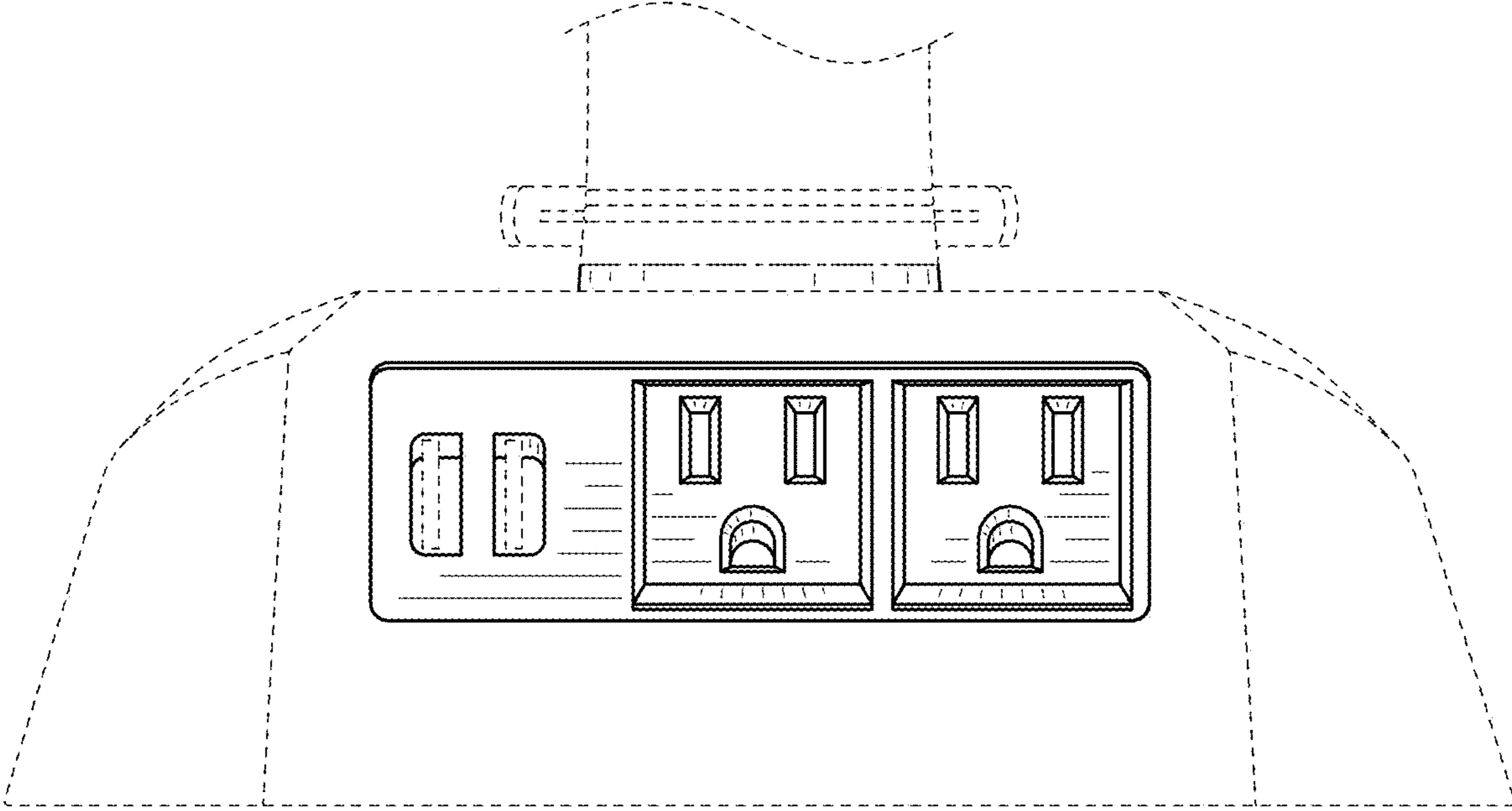


FIG. 5

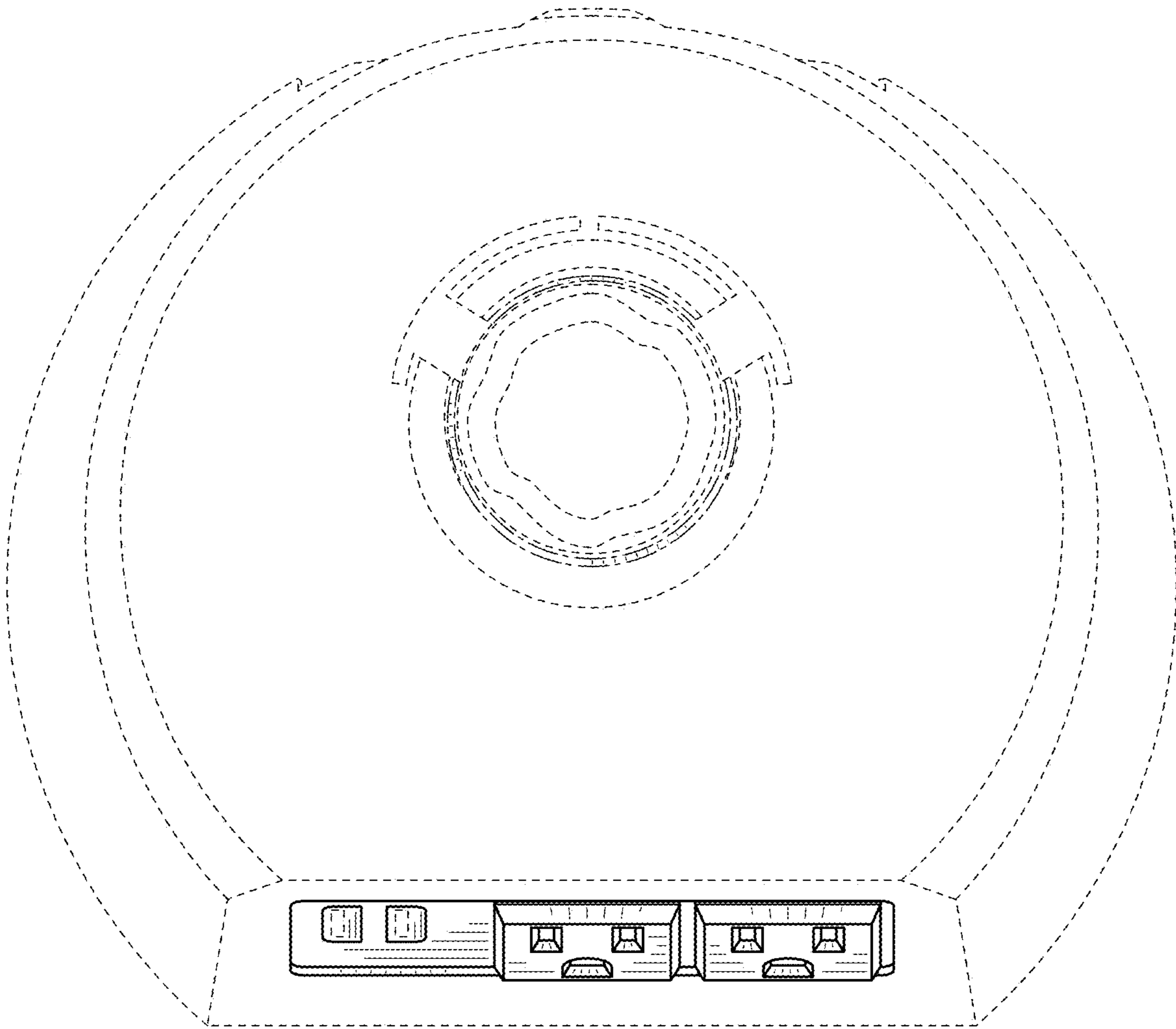


FIG. 6

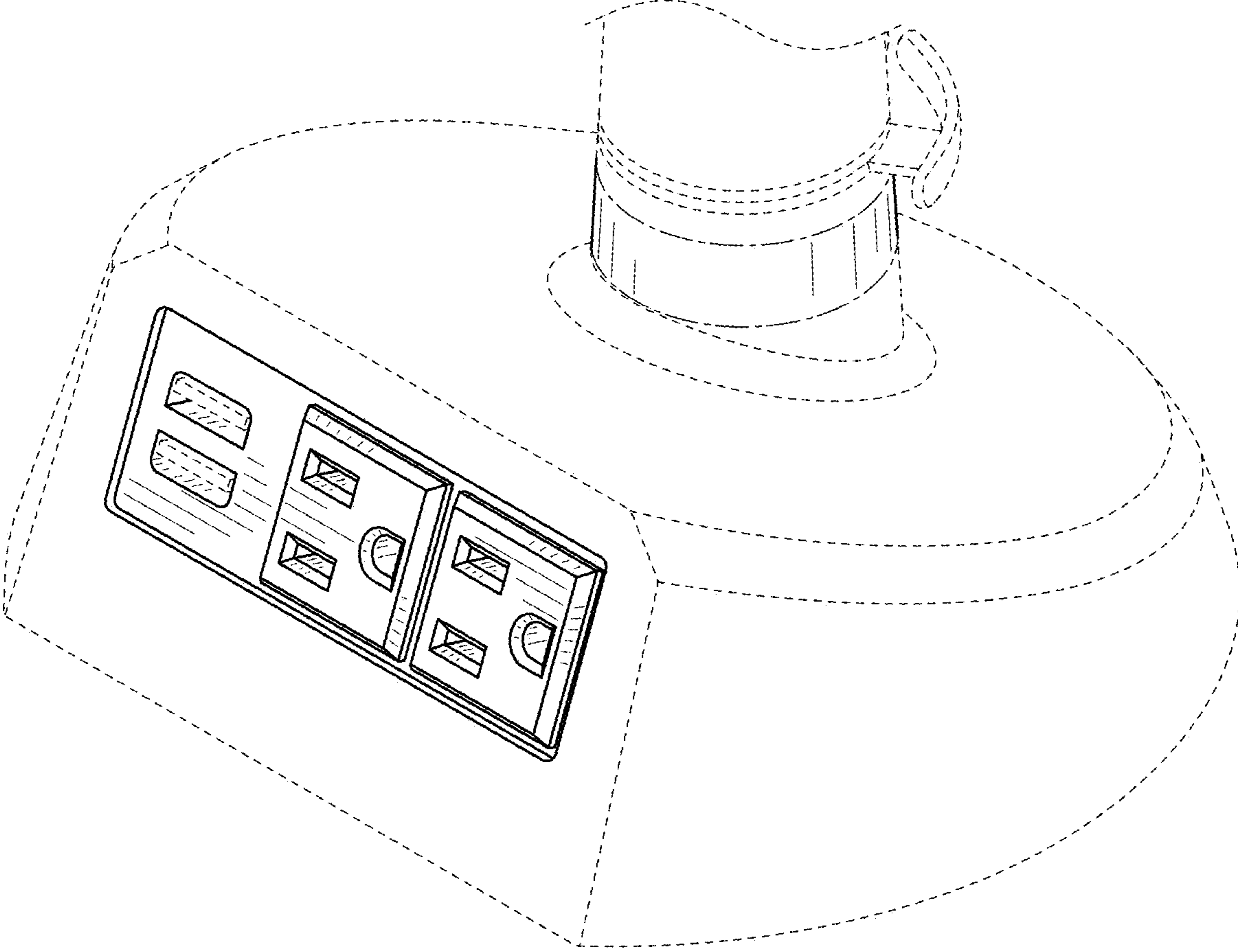


FIG. 7

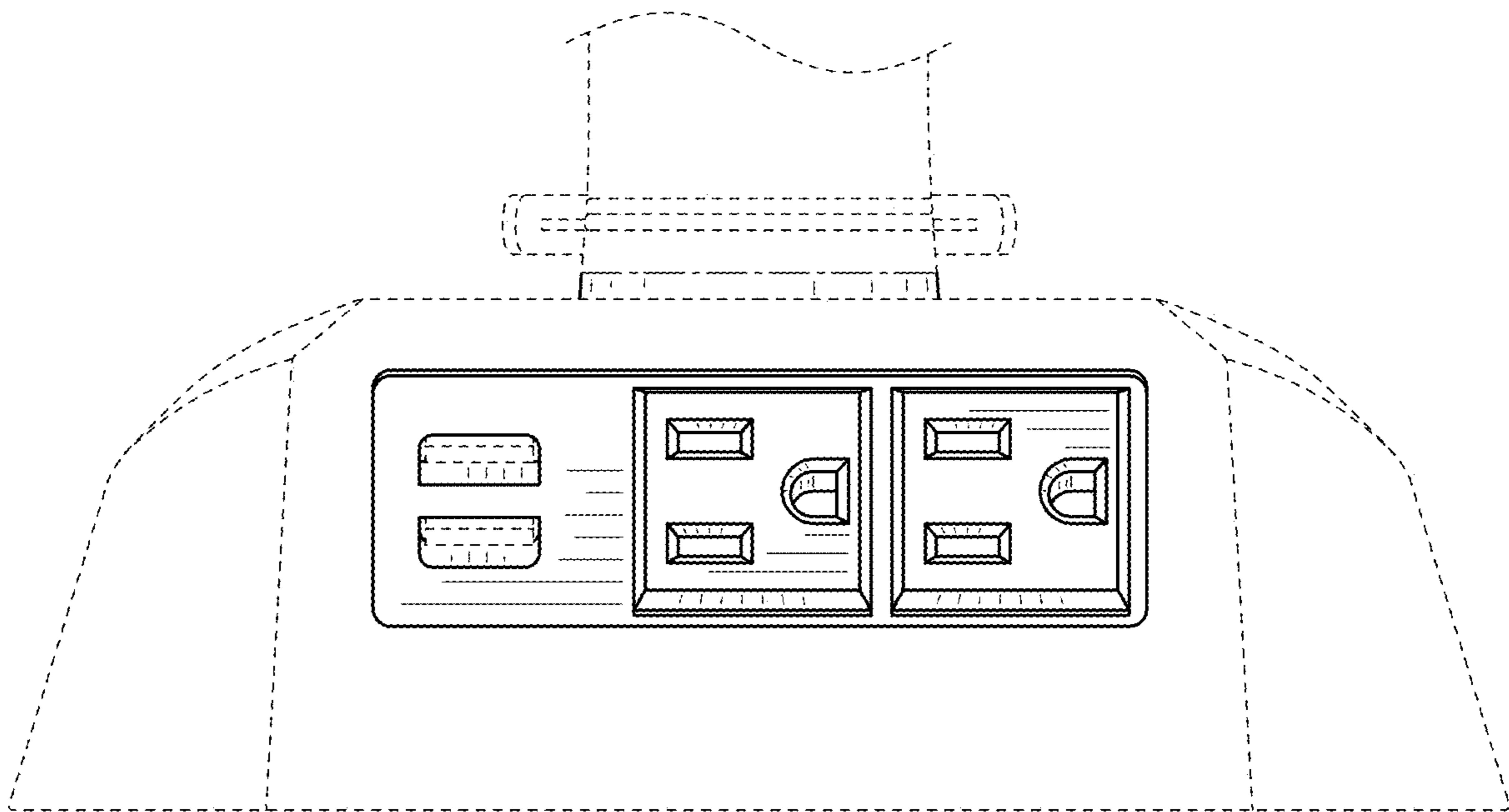


FIG. 8

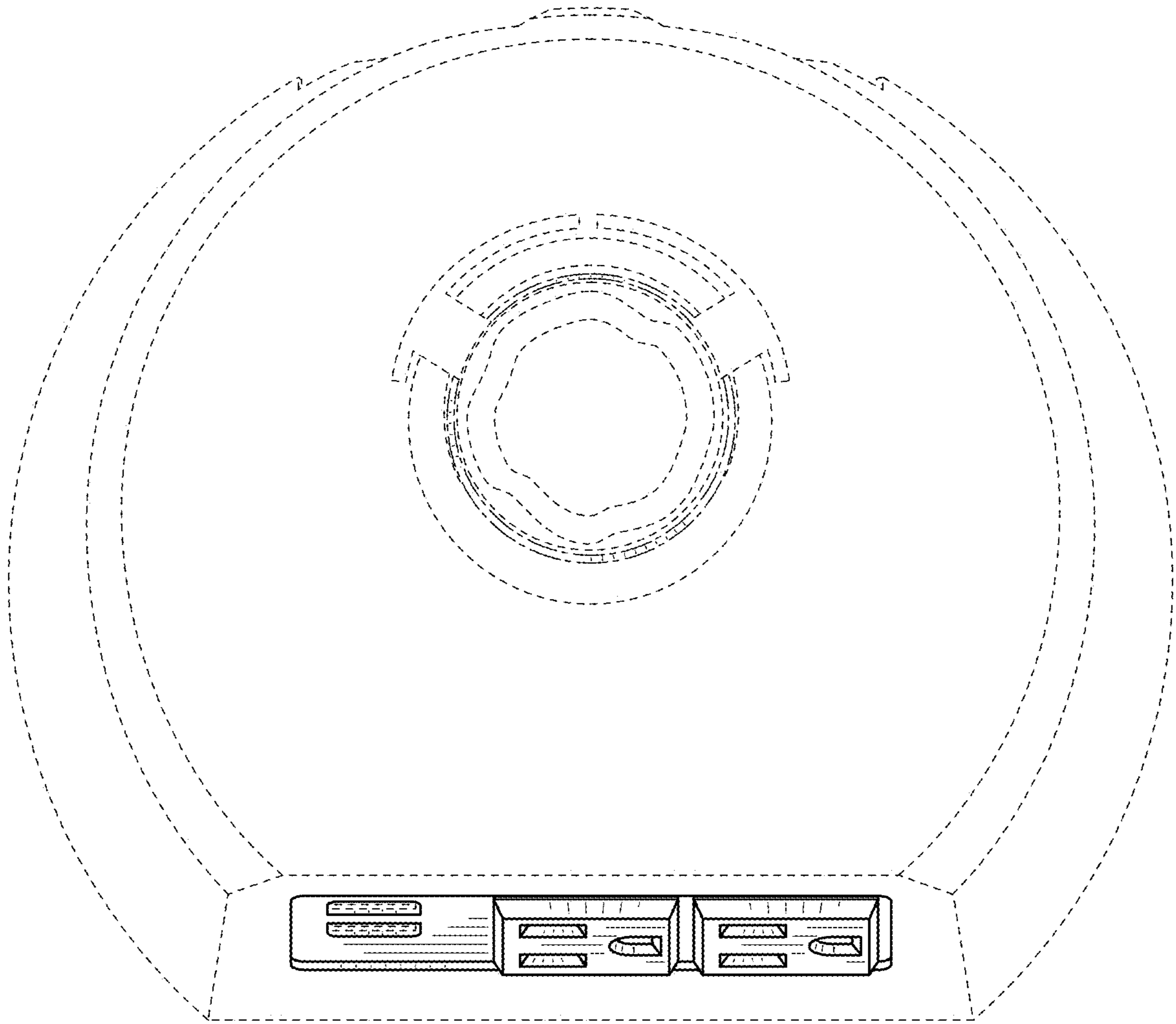


FIG. 9

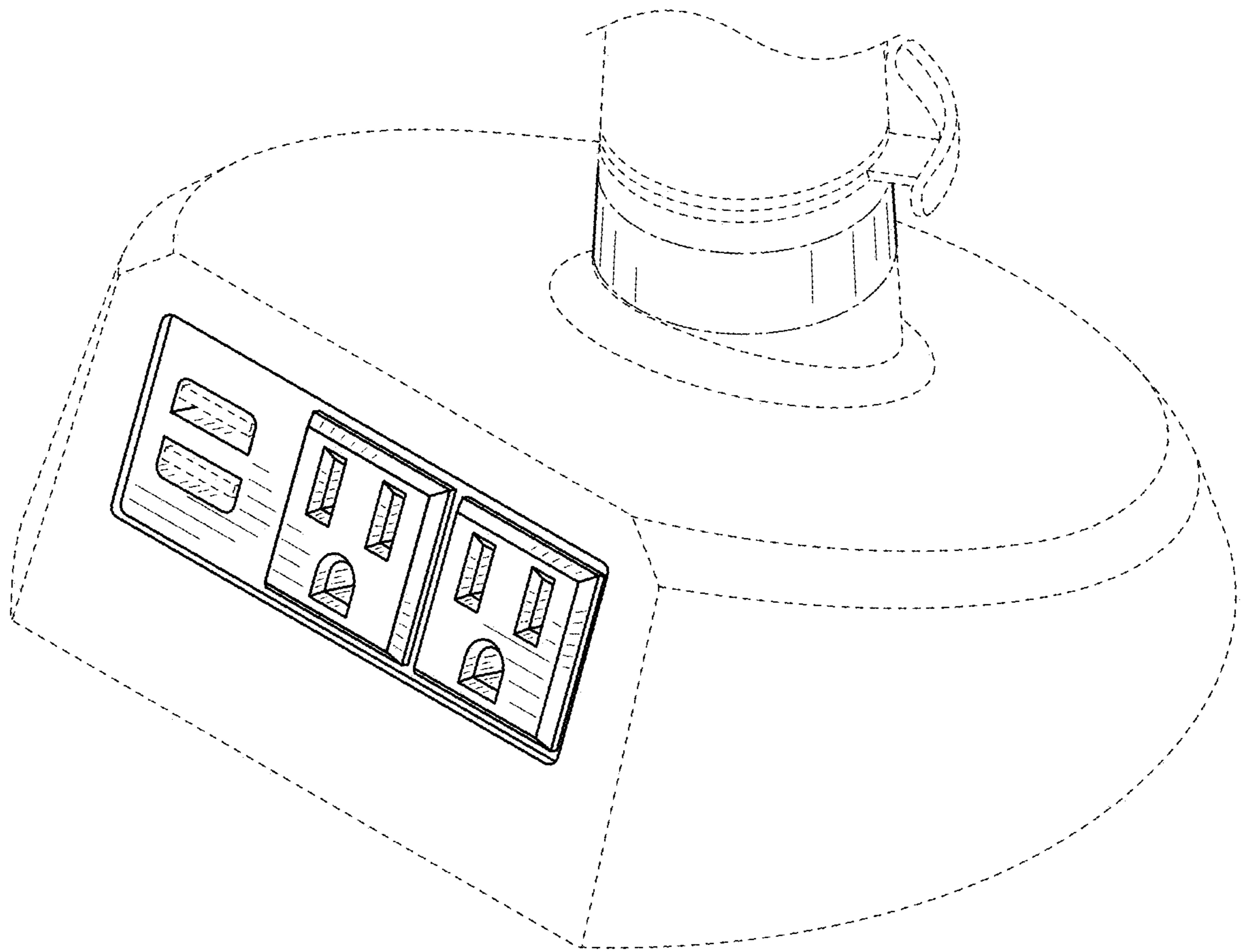


FIG. 10

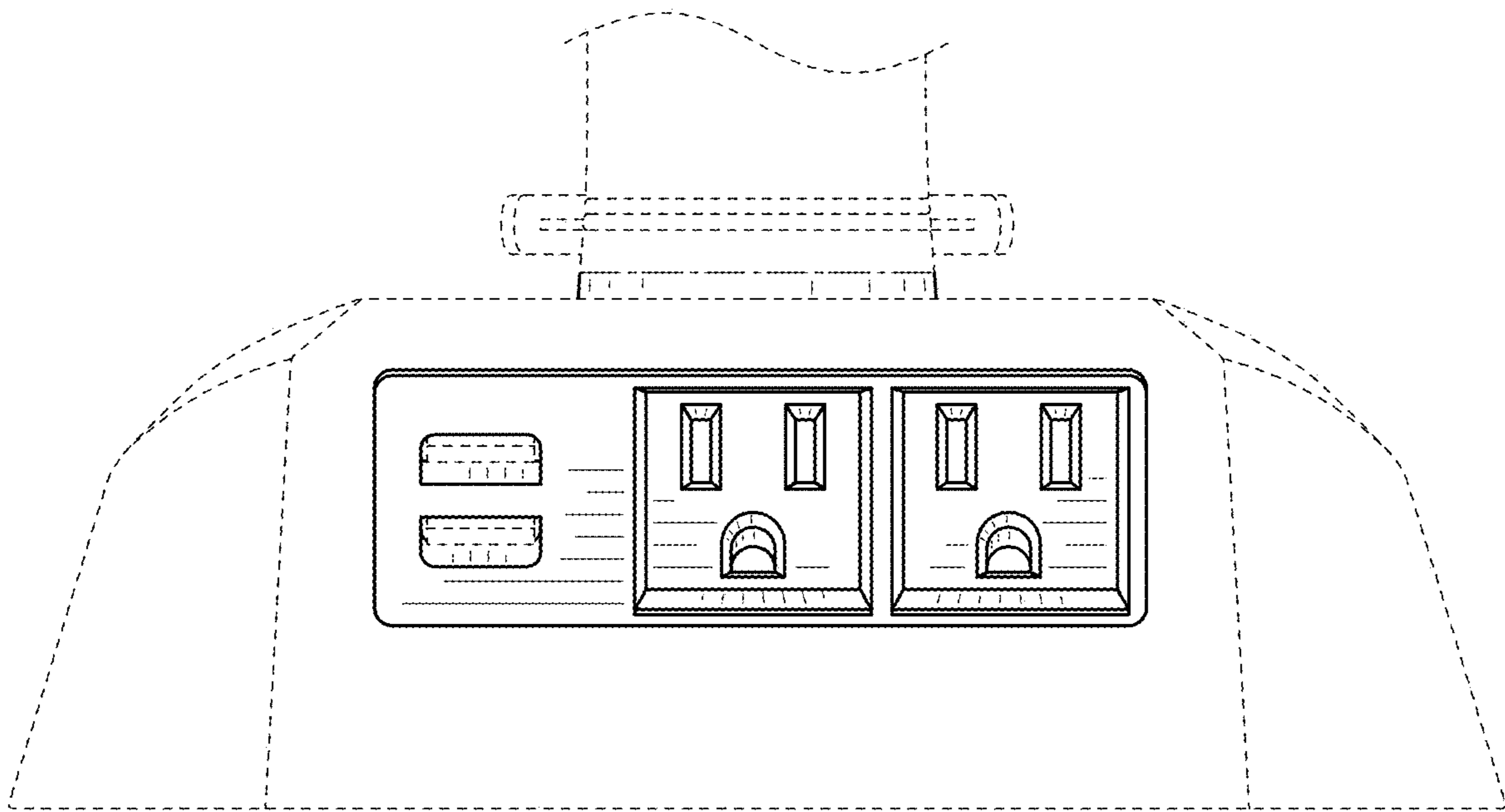


FIG. 11

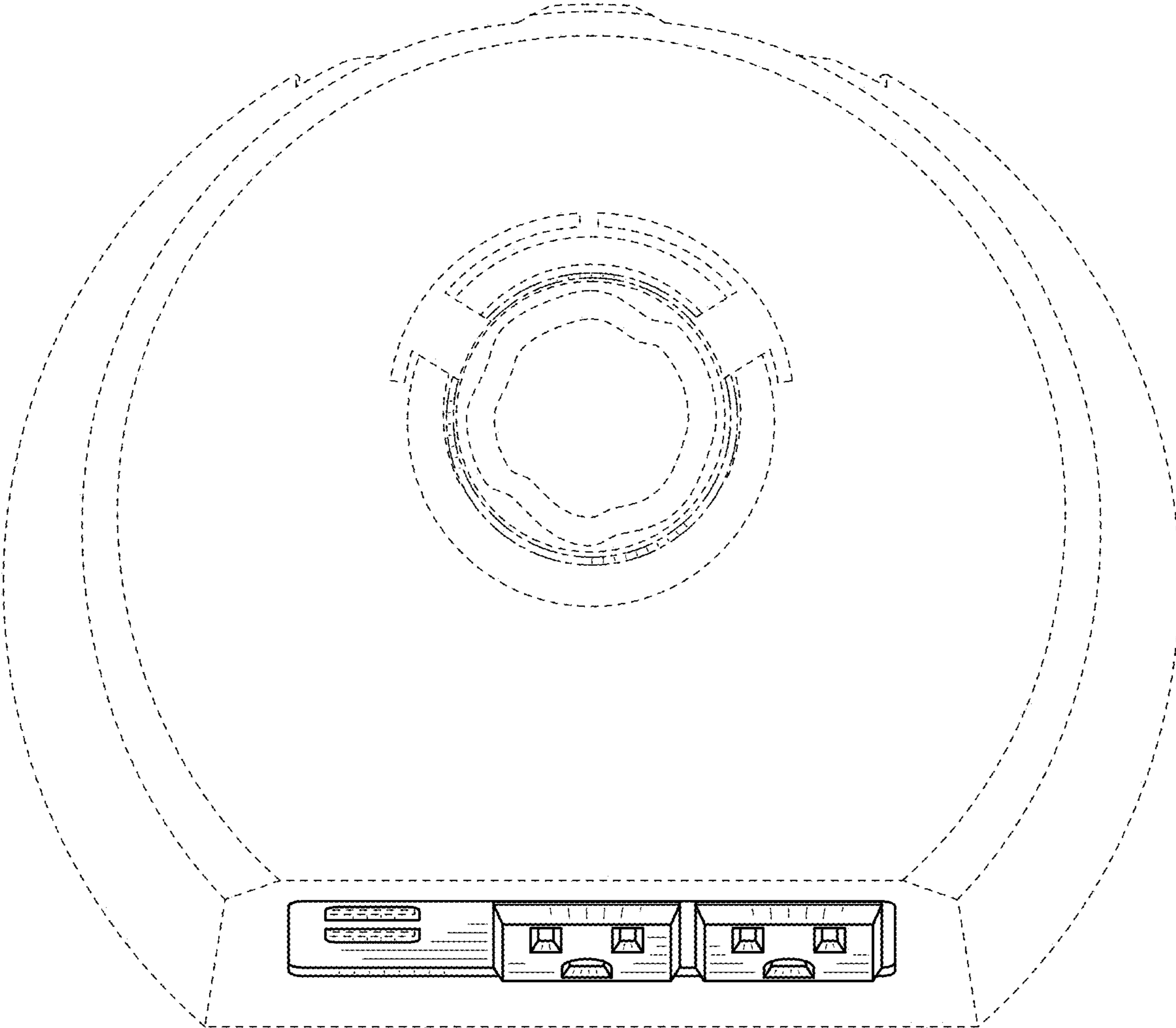


FIG. 12

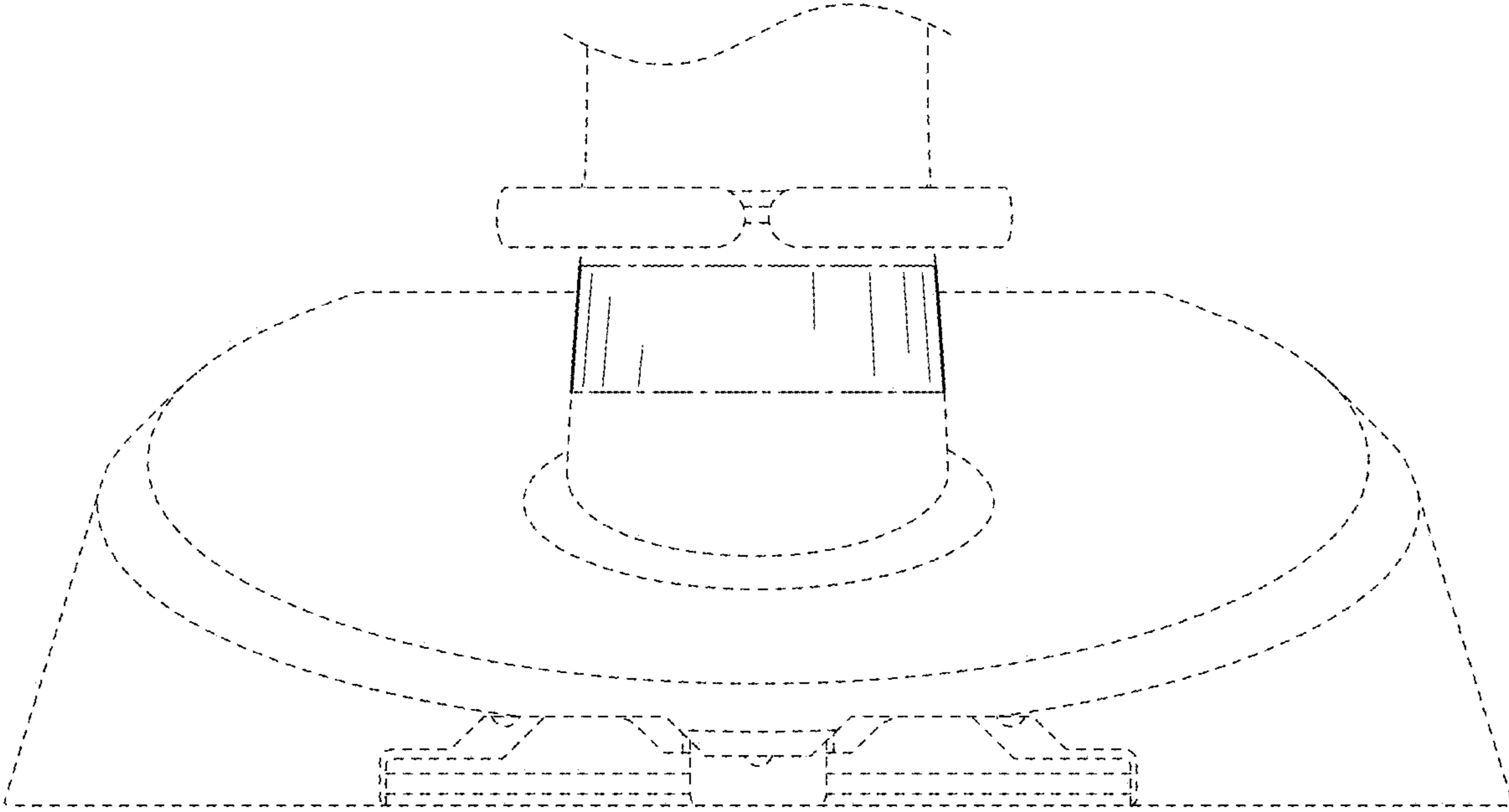


FIG. 13

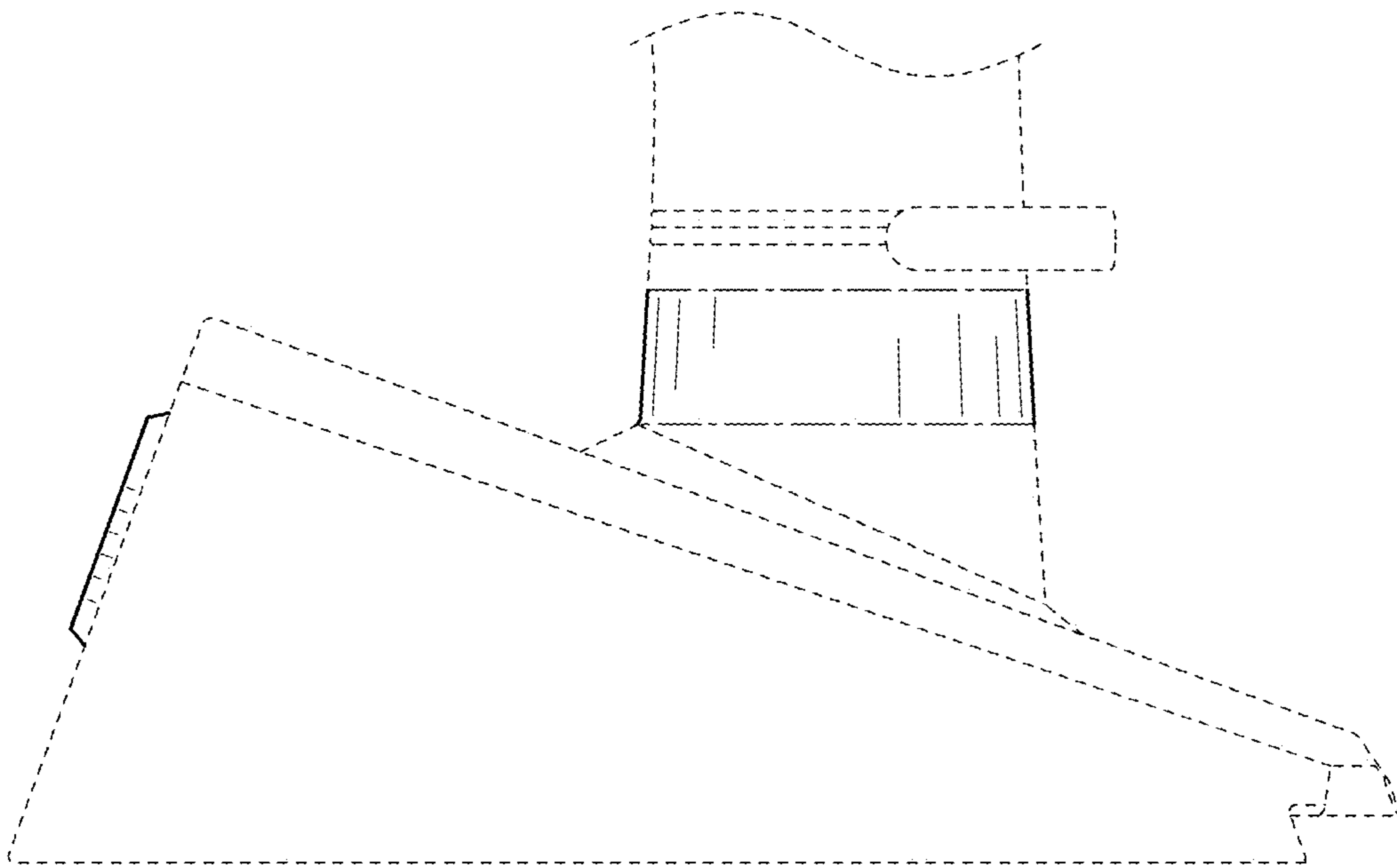


FIG. 14

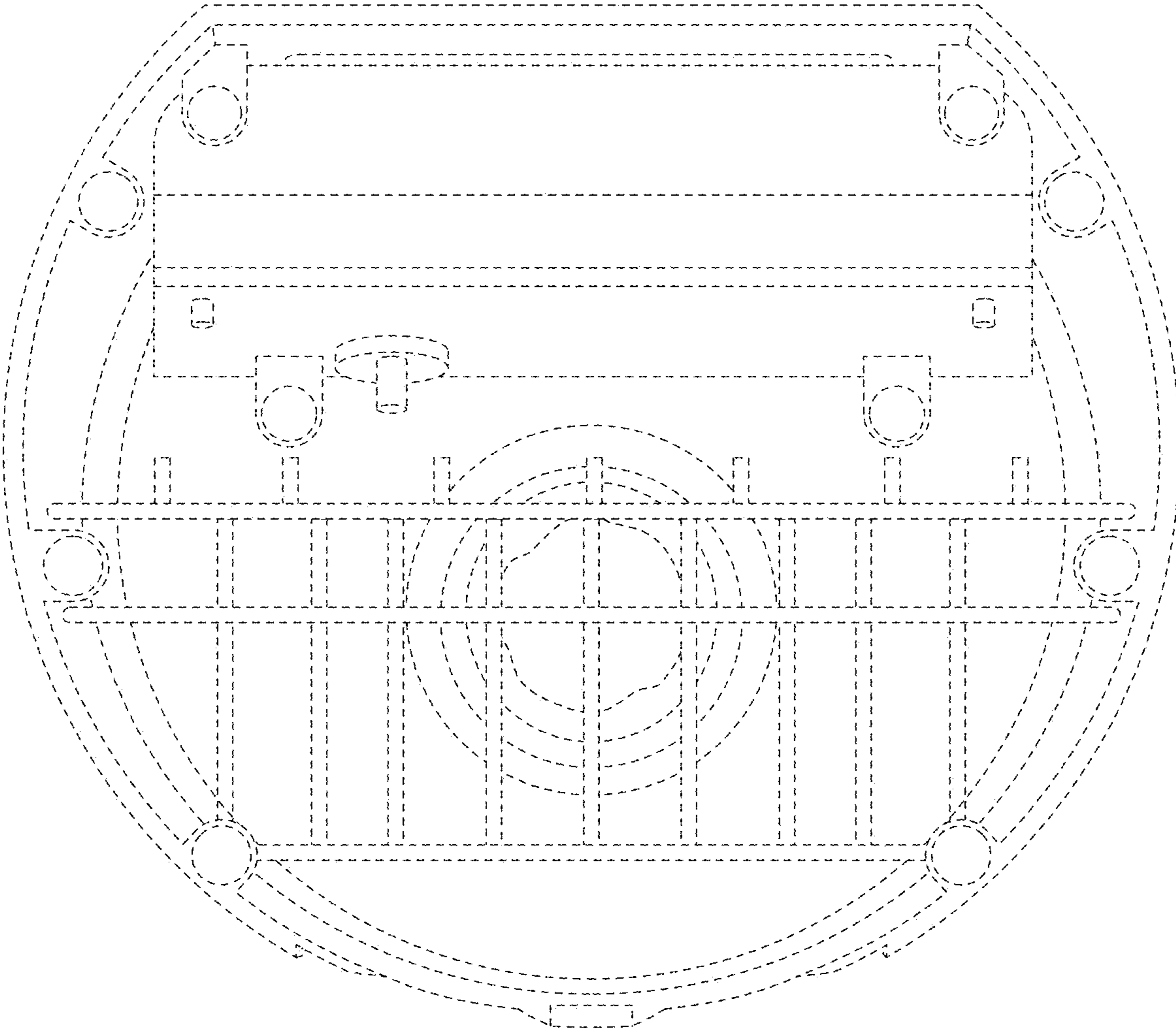


FIG. 15