



US00D898669S

(12) **United States Design Patent** (10) **Patent No.:** **US D898,669 S**
Liao (45) **Date of Patent:** **** Oct. 13, 2020**

(54) **MULTI-FUNCTION CONVERTER**
(71) Applicant: **Gopod Group Ltd.**,
Shenzhen/Guangdong (CN)
(72) Inventor: **Zhuowen Liao**, Shenzhen (CN)
(73) Assignee: **GUANGDONG GOPOD GROUP**
HOLDING CO., LTD., Shenzhen (CN)
(**) Term: **15 Years**
(21) Appl. No.: **29/676,787**
(22) Filed: **Jan. 15, 2019**
(30) **Foreign Application Priority Data**

Dec. 28, 2018 (CN) 2018 3 0764993
(51) **LOC (12) Cl.** **13-02**
(52) **U.S. Cl.**
USPC **D13/110; D14/433**
(58) **Field of Classification Search**
USPC ... D13/110, 103, 107, 108, 118, 123, 137.1,
D13/137.4, 138.1, 147, 162, 168, 169,
D13/174, 177, 184, 199; D14/240, 242,
D14/257, 356, 357, 432, 433, 438, 480.1,
D14/480.3
CPC H05K 5/00; H05K 5/02; H05K 5/0247;
H05K 7/00; H05K 7/20; H05K 7/20136;
H05K 7/20154; H05K 7/209; H02M 7/00;
H02M 7/003; H02M 2001/009; H02J
7/0042; Y10T 307/367; Y02E 60/12;
Y02E 60/50; H01M 2/02; H01M 2/025;
H01M 2/0207; H01M 2/0212; H01M
10/44; H01R 13/60; H01R 13/72; H01R
13/6658; H01R 25/003; H01R 25/006;
G06F 3/023; G06F 3/038; G06F 3/0626;
G06F 3/0658; G06F 9/4413
See application file for complete search history.

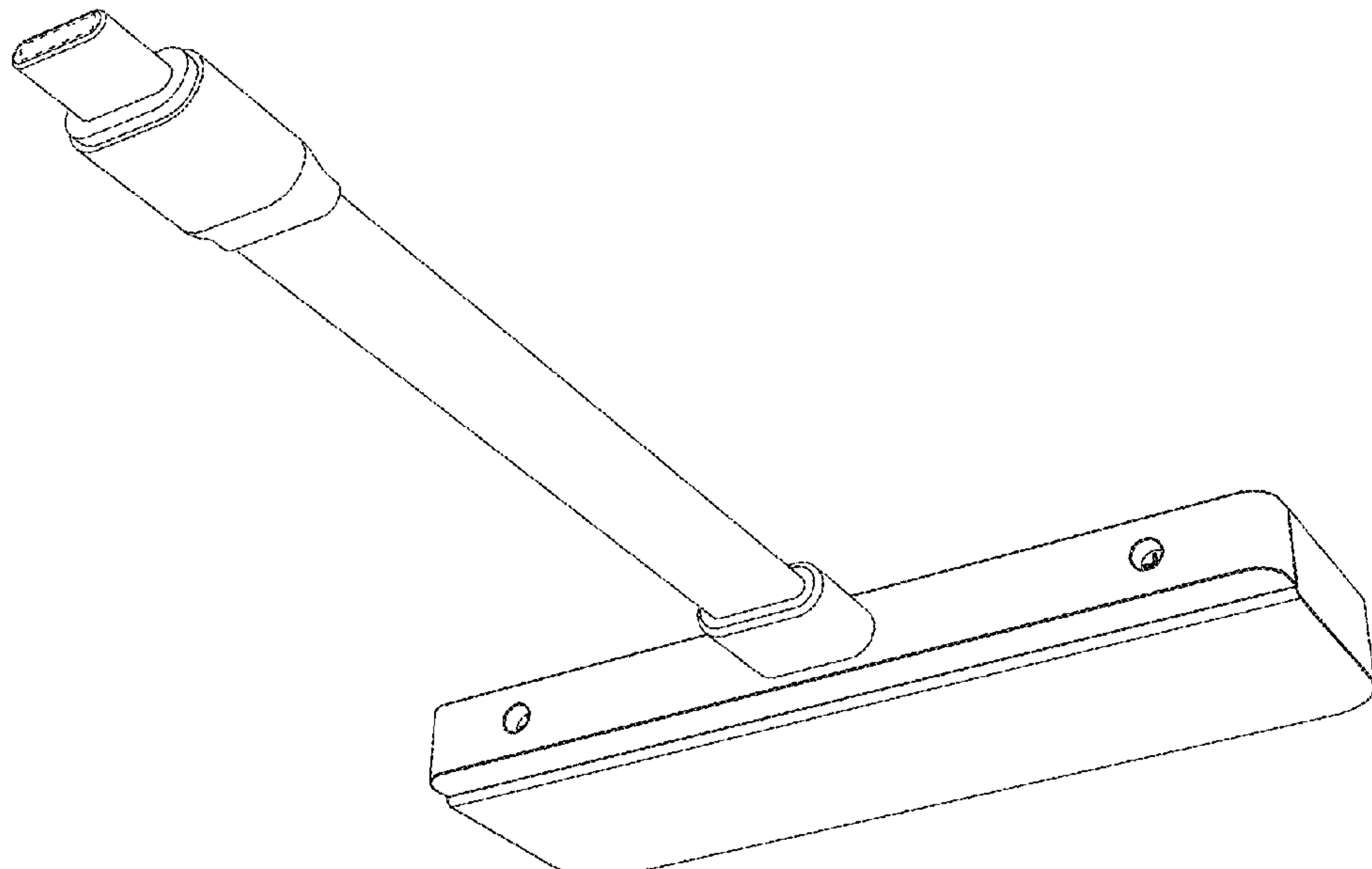
(56) **References Cited**
U.S. PATENT DOCUMENTS
D503,679 S * 4/2005 Andre D13/110
D560,165 S * 1/2008 Matityahu D13/133
D693,768 S * 11/2013 Alesi D13/110
D741,808 S * 10/2015 Shim D13/147
D781,786 S * 3/2017 Akana D13/147
D814,423 S * 4/2018 Akana D13/147
2011/0070465 A1 * 3/2011 Kim, II H01M 10/4257
429/7

* cited by examiner
Primary Examiner — Derrick E Holland
(74) *Attorney, Agent, or Firm* — Dorsey & Whitney LLP

(57) **CLAIM**
The ornamental design for a multi-function converter, as shown and described.

DESCRIPTION
FIG. 1 is a top view of a multi-function converter showing my new design;
FIG. 2 is a left side view thereof;
FIG. 3 is a right side view thereof;
FIG. 4 is a bottom view thereof;
FIG. 5 is a front view thereof;
FIG. 6 is a rear view thereof;
FIG. 7 is a top, front, right side perspective view thereof;
FIG. 8 is a bottom, front, left side perspective view thereof;
and,
FIG. 9 is a top, rear, left side perspective view thereof.
The broken lines shown in the drawings illustrate portions of the multi-function converter that form no part of the claimed design.

1 Claim, 9 Drawing Sheets



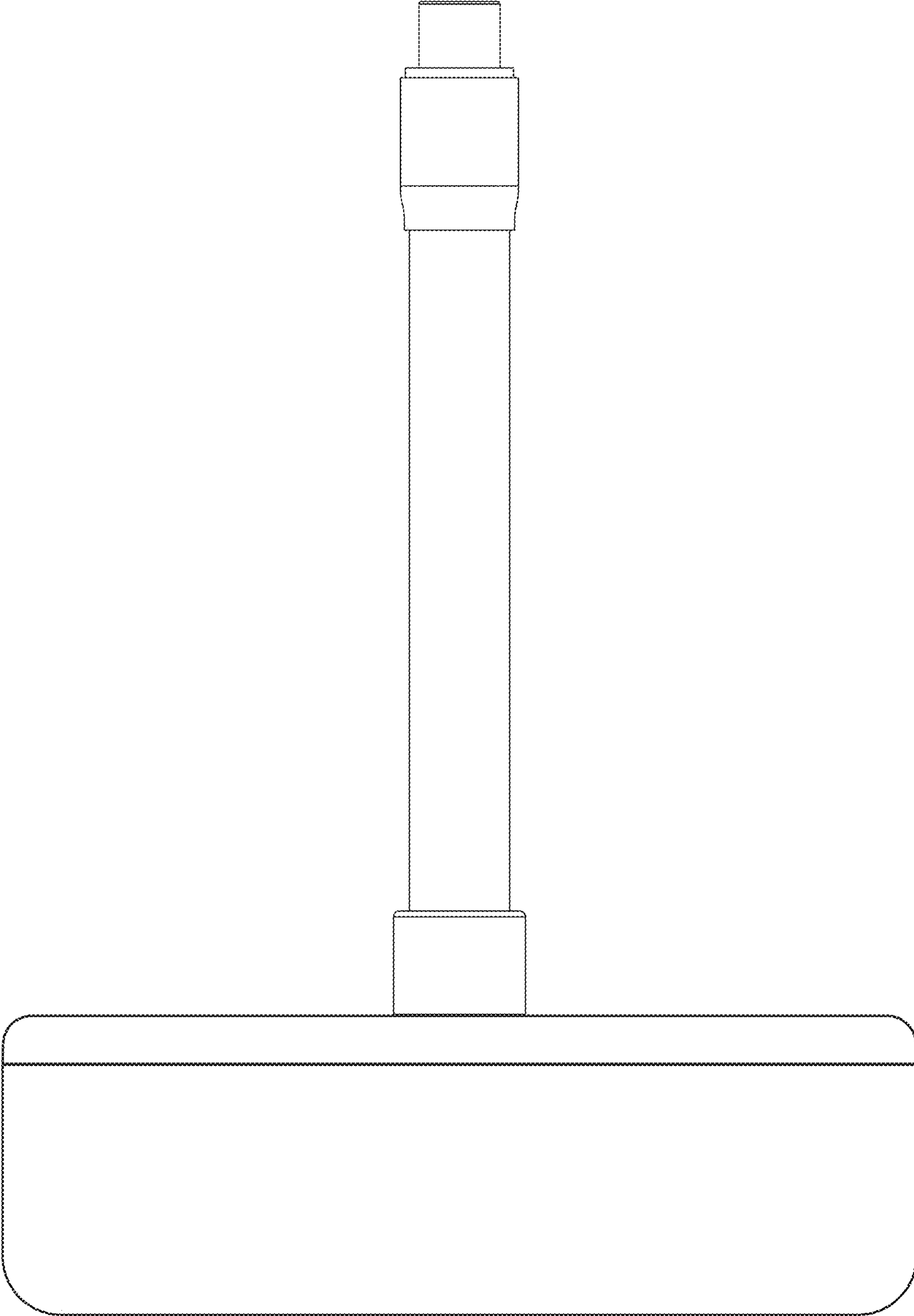


FIG. 1

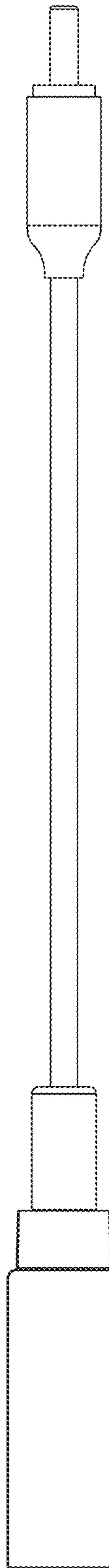


FIG. 2

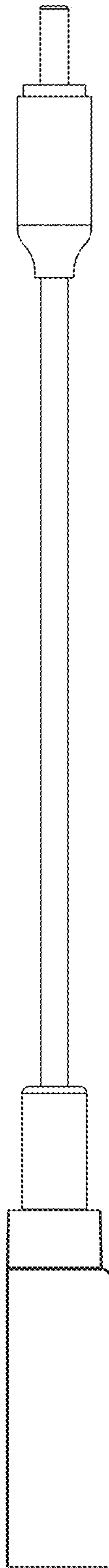


FIG. 3

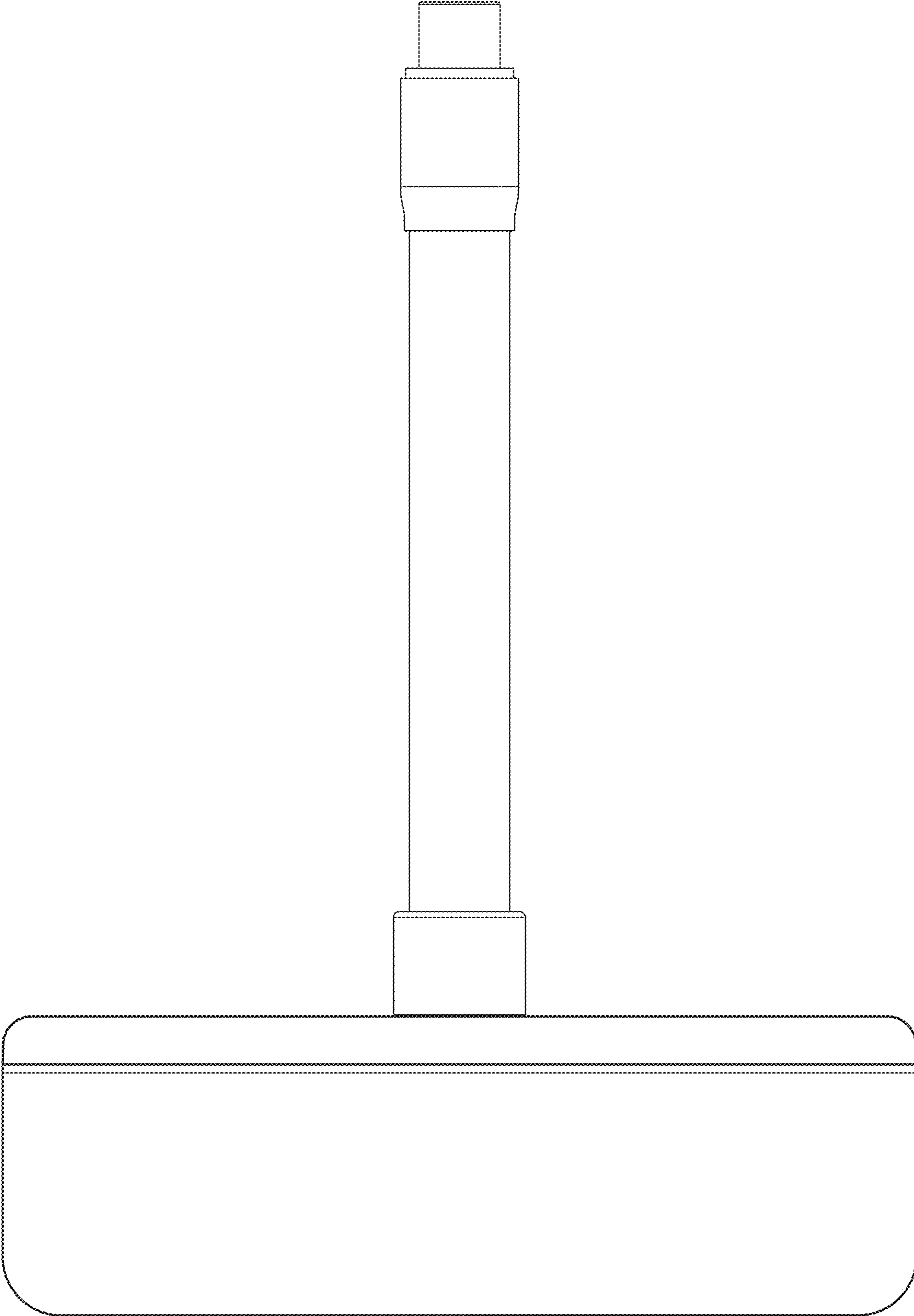


FIG. 4

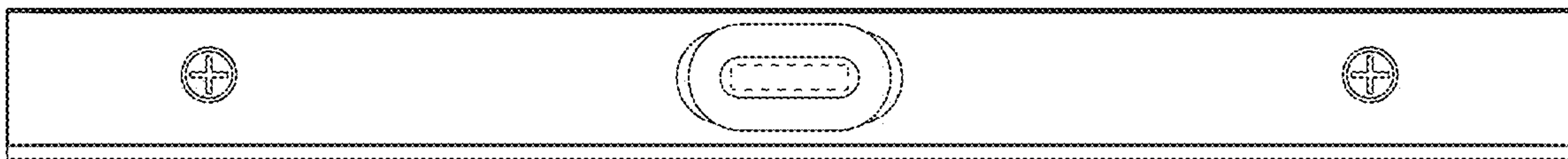


FIG. 5

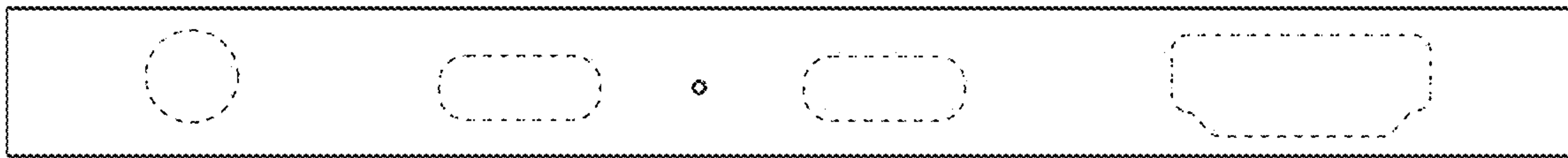


FIG. 6

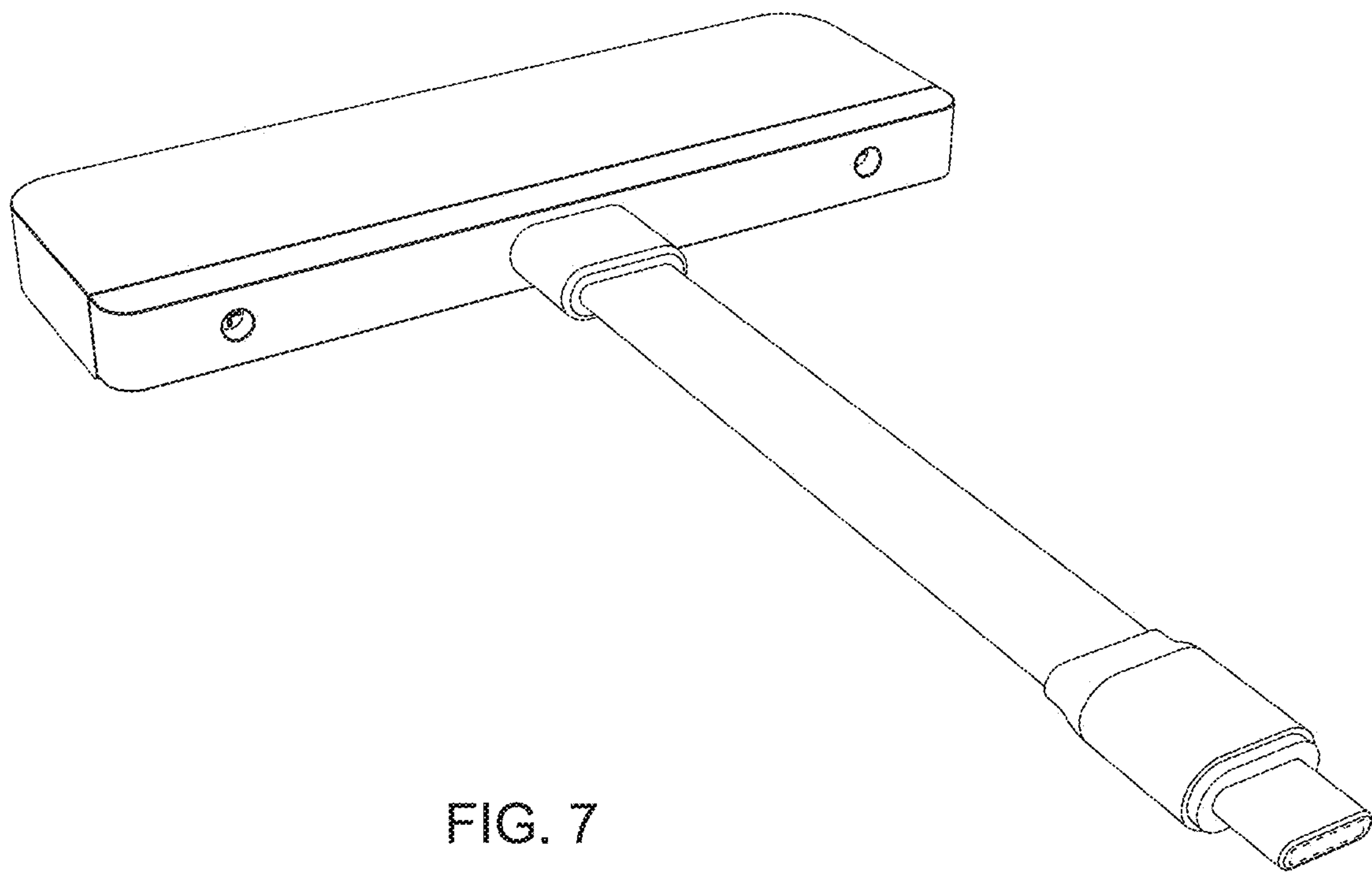


FIG. 7

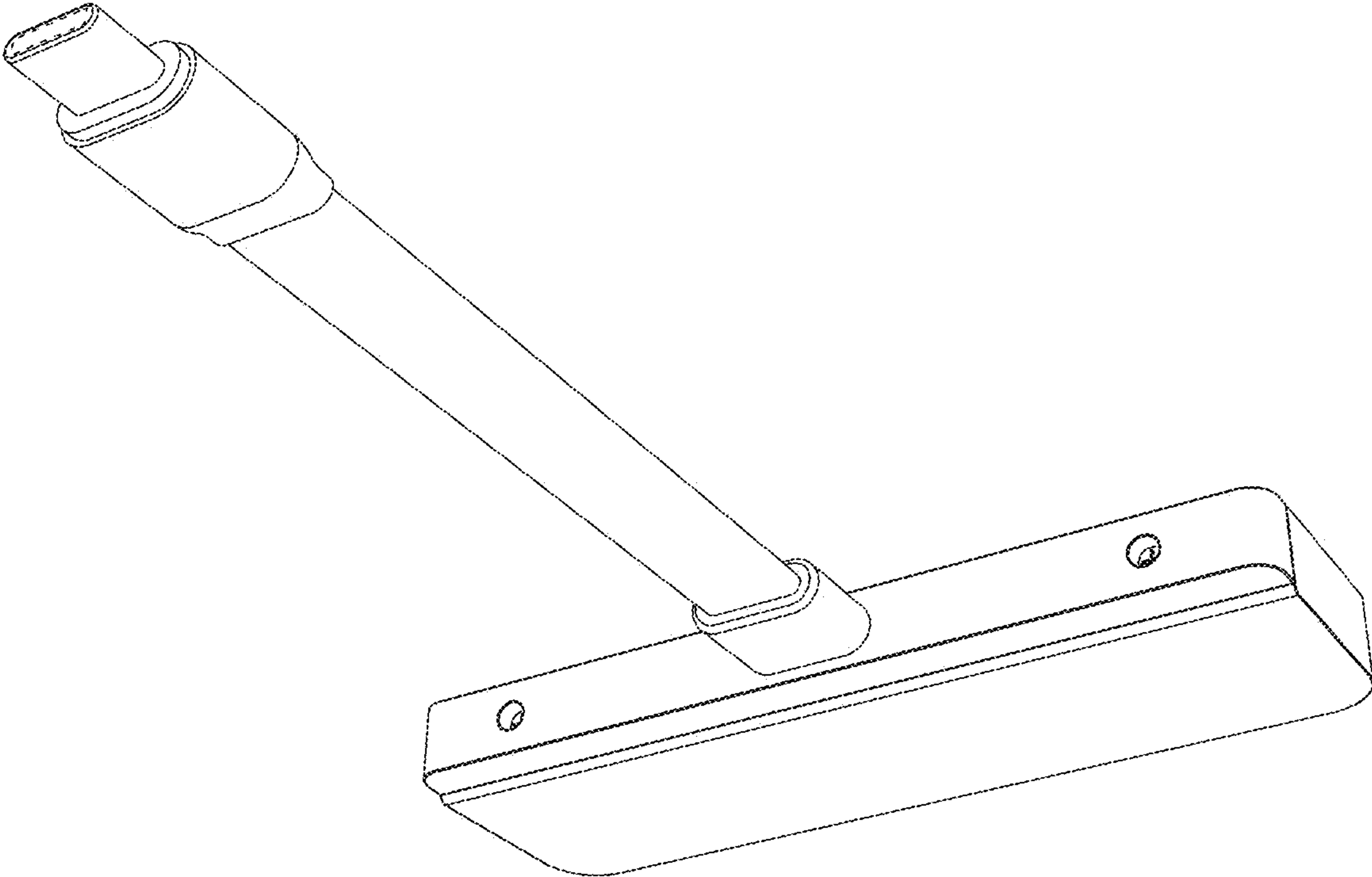


FIG. 8

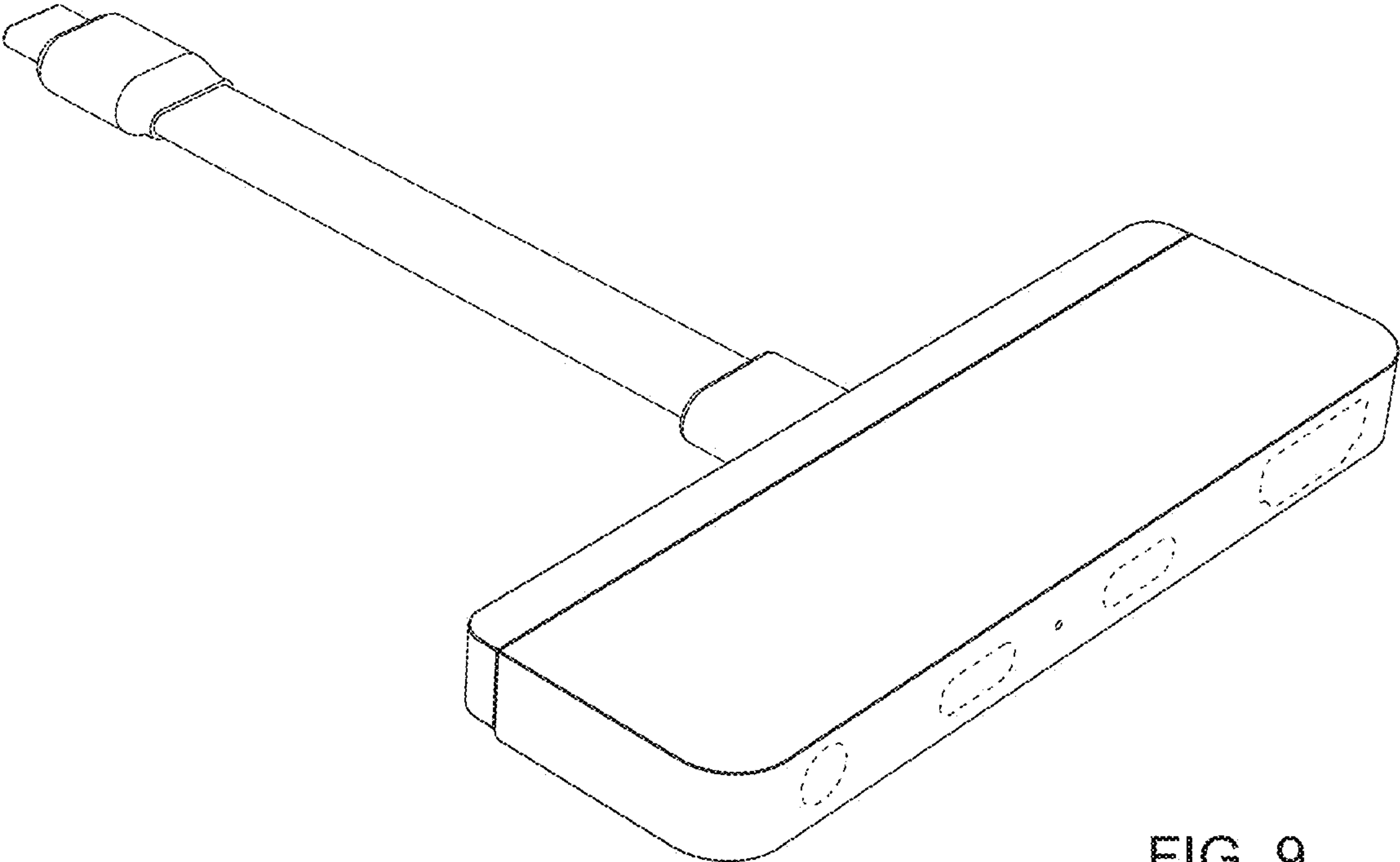


FIG. 9