



US00D898668S

(12) **United States Design Patent** (10) **Patent No.:** **US D898,668 S**
Jang (45) **Date of Patent:** **** Oct. 13, 2020**

(54) **WIRELESS CHARGER**

(71) Applicant: **AAUXX KOREA CO., LTD.**,
Gyeonggi-Do (KR)
(72) Inventor: **Jintae Jang**, Paju-si (KR)
(73) Assignee: **AAUXX KOREA CO., LTD.**, Paju-si,
Gyeonggi-do (KR)
(**) Term: **15 Years**
(21) Appl. No.: **35/506,347**
(22) Filed: **Jul. 20, 2018**

(80) **Hague Agreement Data**

Int. Filing Date: **Jul. 20, 2018**
Int. Reg. No.: **DM/102939**
Int. Reg. Date: **Jul. 20, 2018**
Int. Reg. Pub. Date: **Jan. 25, 2019**

(51) **LOC (12) Cl.** **13-02**

(52) **U.S. Cl.**
USPC **D13/108**

(58) **Field of Classification Search**

USPC D13/107-110, 118-119, 184; D14/251,
D14/253, 432, 434
CPC Y02E 60/12; Y02T 90/14; Y02T 90/122;
Y02T 90/128; Y02T 90/163; H02J 7/025;
H02J 7/0042; H02J 7/0044; H02J 7/0045;
H02J 7/0003; H01F 38/14; H01M 2/1022;
H01M 2/1055; H01M 10/44; H01M
10/46; H01M 10/425; B60L 11/182
See application file for complete search history.

(56) **References Cited**

U.S. PATENT DOCUMENTS

D507,528 S *	7/2005	Feldman	D13/102
D585,439 S *	1/2009	Ching	D14/300
D657,361 S *	4/2012	Goodwin	D14/434
D663,734 S *	7/2012	Radin	D14/434
D680,118 S *	4/2013	Schmelling	D14/434
D705,721 S *	5/2014	Huang	D13/103
D711,318 S *	8/2014	Xinfang	D13/103
D721,034 S *	1/2015	Sul	D13/108
D760,163 S *	6/2016	Sontag	D13/108
D805,486 S *	12/2017	Hochman	D13/184
D813,162 S *	3/2018	Krantz	D13/110
D851,033 S *	6/2019	Yuk	D13/108
D860,933 S *	9/2019	Sun	D13/108

* cited by examiner

Primary Examiner — Nathaniel D. Buckner
(74) *Attorney, Agent, or Firm* — Revolution IP, PLLC

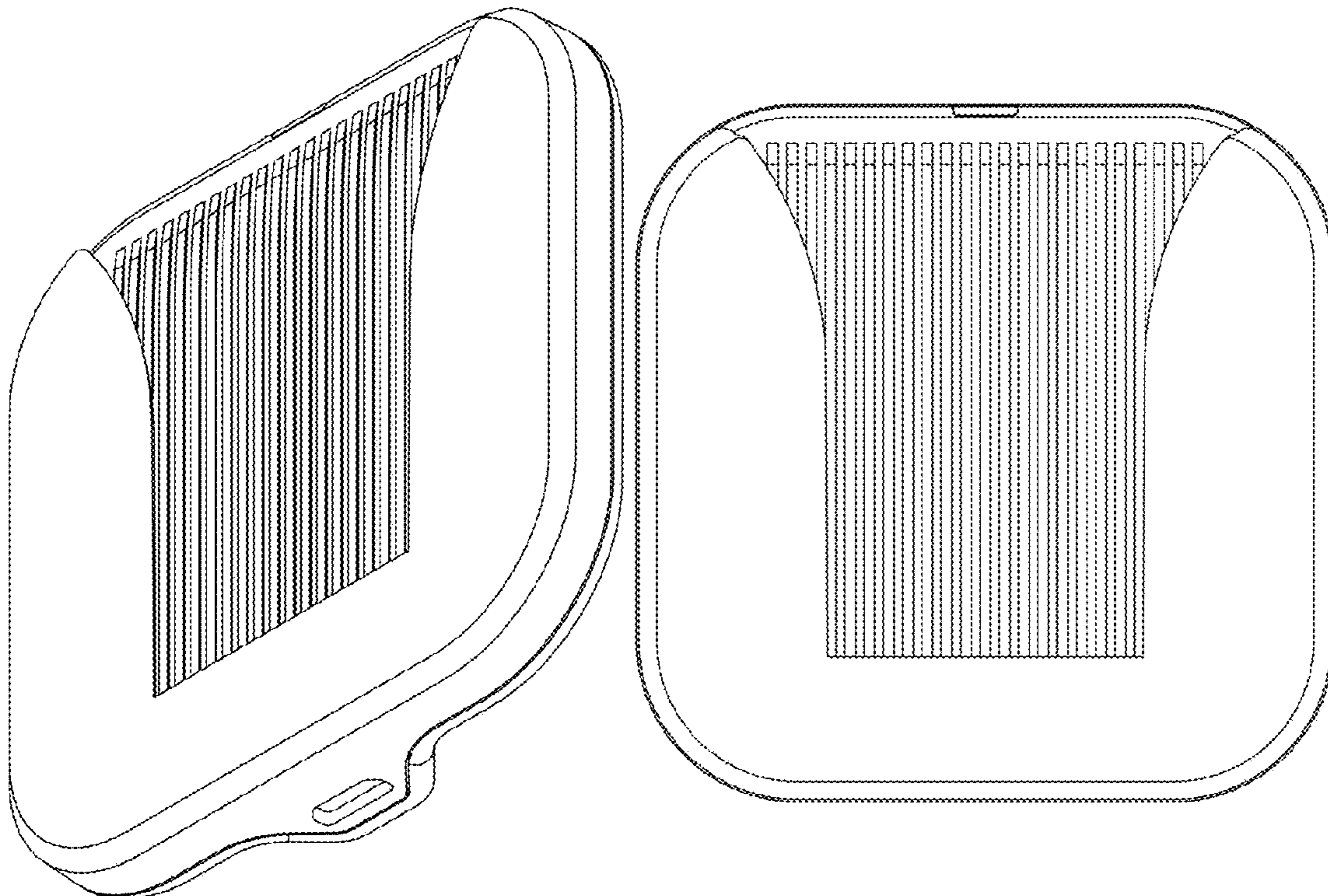
(57) **CLAIM**

The ornamental design for a wireless charger, as shown and described.

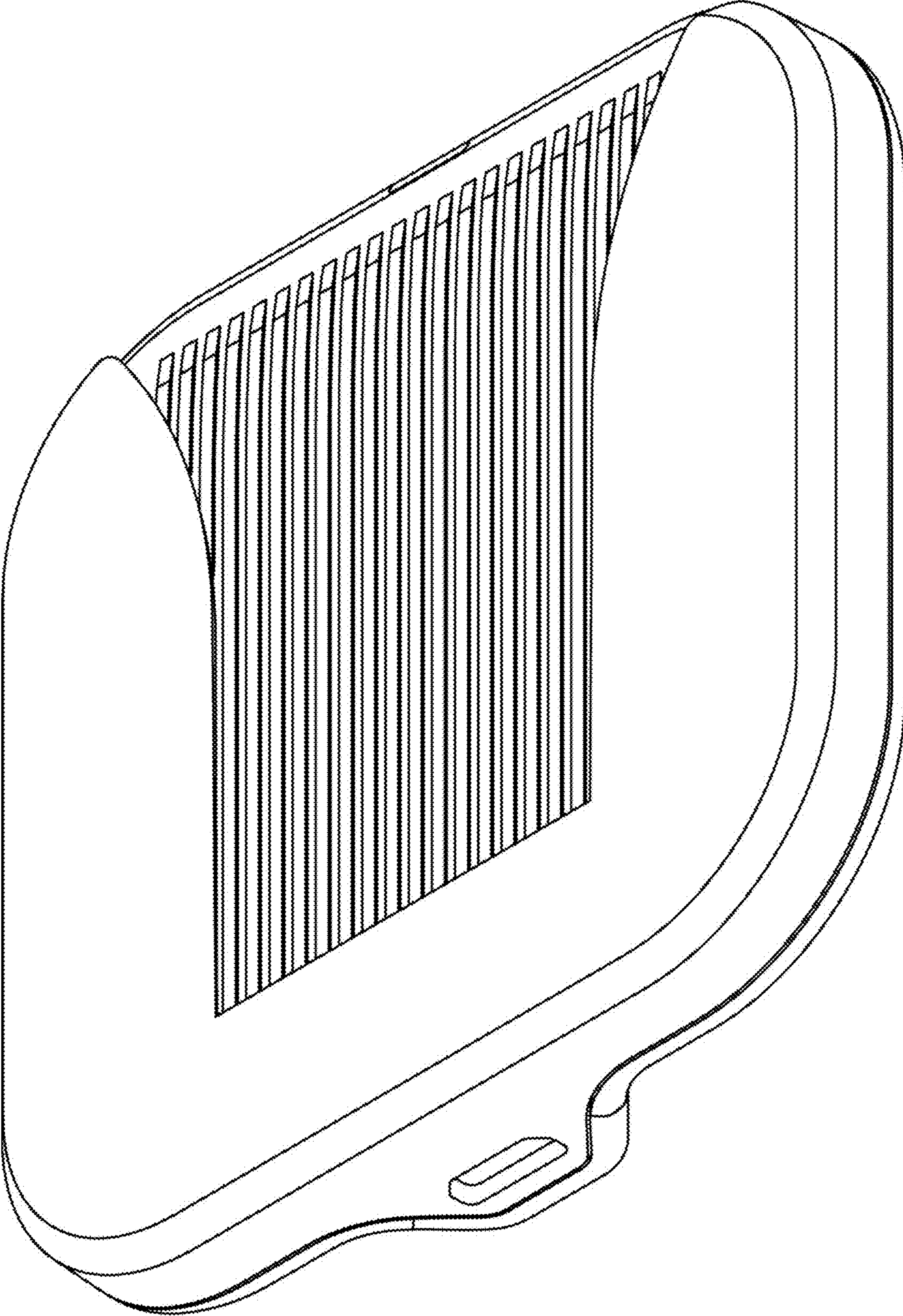
DESCRIPTION

- 1. Wireless charger
- 1.1 : Perspective
- 1.2 : Front
- 1.3 : Back
- 1.4 : Bottom

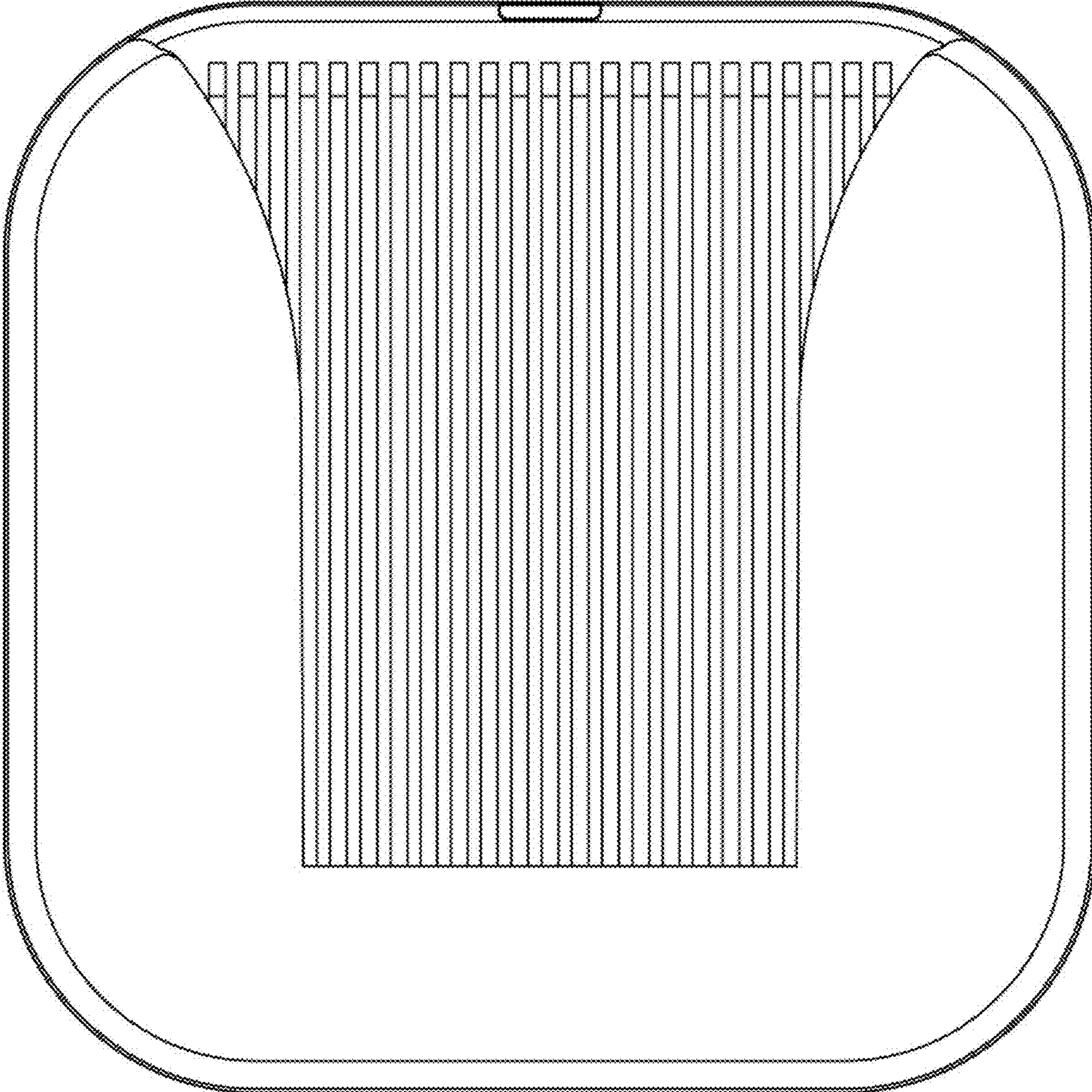
1 Claim, 4 Drawing Sheets



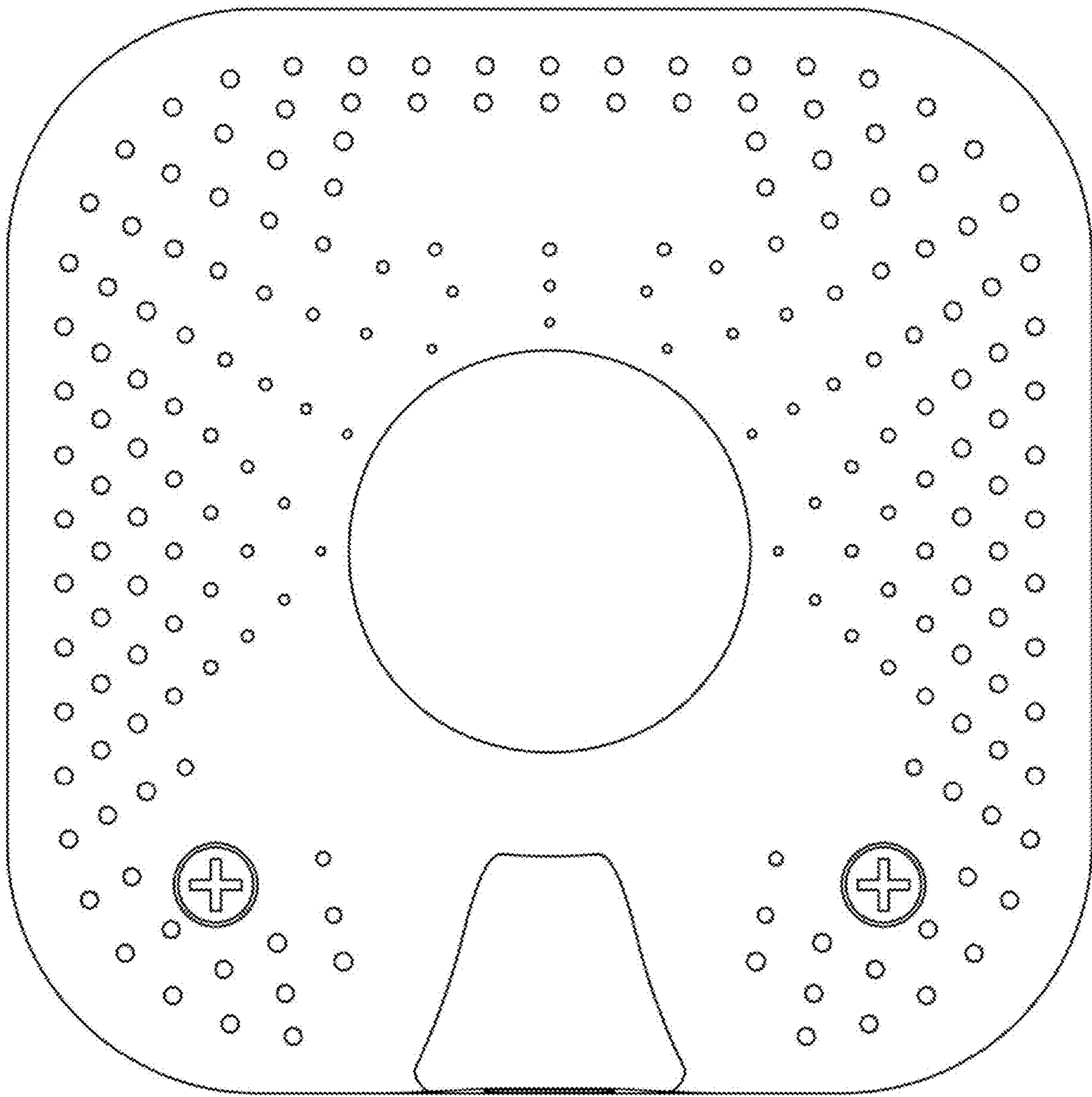
1.1



1. 2



1.3



1.4

