



US00D898666S

(12) **United States Design Patent**
Alves

(10) **Patent No.:** **US D898,666 S**
(45) **Date of Patent:** **** Oct. 13, 2020**

- (54) **DEVICE CHARGING CRADLE**
- (71) Applicant: **Scosche Industries, Inc.**, Oxnard, CA (US)
- (72) Inventor: **Kasidy Alves**, Oxnard, CA (US)
- (73) Assignee: **Scosche Industries, Inc.**, Oxnard, CA (US)
- (**) Term: **15 Years**
- (21) Appl. No.: **29/688,026**
- (22) Filed: **Apr. 17, 2019**
- (51) **LOC (12) Cl.** **13-02**
- (52) **U.S. Cl.**
USPC **D13/108**
- (58) **Field of Classification Search**
USPC D13/107–110, 118–119, 184; D14/251, D14/253, 432, 434
CPC Y02E 60/12; Y02T 90/14; Y02T 90/122; Y02T 90/128; Y02T 90/163; H02J 7/025; H02J 7/0042; H02J 7/0044; H02J 7/0045; H02J 7/0013; H02J 7/0003; H01F 38/14; H01R 13/6675; H01M 2/1022; H01M 2/1055; H01M 10/44; H01M 10/46; H01M 10/425; B60L 11/182
See application file for complete search history.

D848,443 S *	5/2019	Yao	D14/447
D858,509 S *	9/2019	Yao	D14/253
D859,395 S *	9/2019	Yao	D14/253
D862,454 S *	10/2019	Chun	D14/253
D872,014 S *	1/2020	Zhang	D13/108
D873,260 S *	1/2020	Dang	D14/253
D875,090 S *	2/2020	Leeds-Frank	D14/253
D877,066 S *	3/2020	Zhang	D13/108
D879,766 S *	3/2020	Fan	D14/253

* cited by examiner

Primary Examiner — Nathaniel D. Buckner

(74) *Attorney, Agent, or Firm* — Stetina Brunda Garred & Brucker

(57) **CLAIM**

The ornamental design for a device charging cradle, as shown and described.

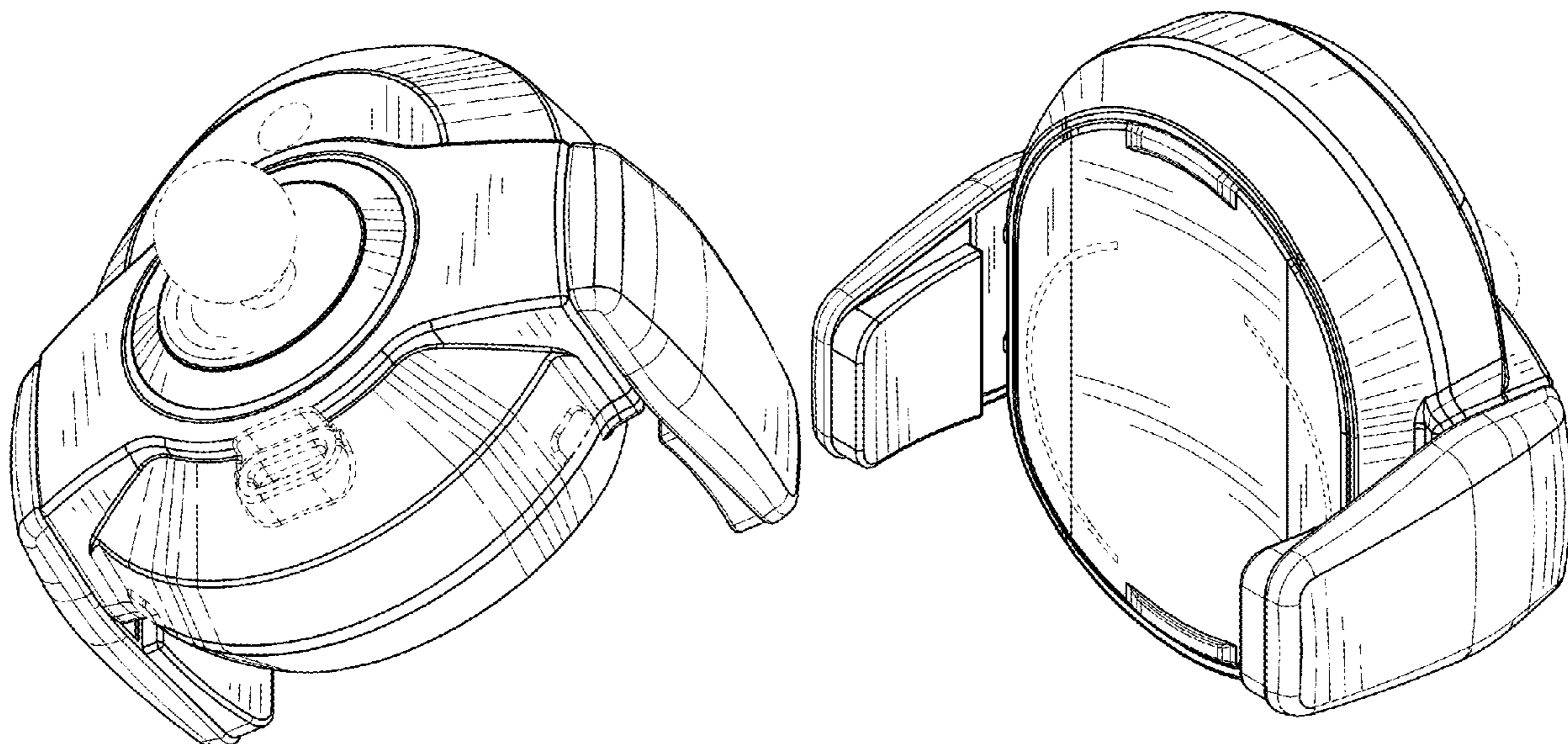
DESCRIPTION

FIG. 1 is a rear perspective view of a device charging cradle showing my new design;
 FIG. 2 is a front perspective view thereof;
 FIG. 3 is a top view thereof;
 FIG. 4 is a left side view thereof;
 FIG. 5 is a rear view thereof;
 FIG. 6 is a front view thereof;
 FIG. 7 is a right side view thereof; and,
 FIG. 8 is a bottom view thereof.

In the drawings, the broken line showings are for the purpose of illustrating portions of a device charging cradle or environmental structure and form no part of the claimed design.

1 Claim, 3 Drawing Sheets

- (56) **References Cited**
U.S. PATENT DOCUMENTS
D431,250 S * 9/2000 Richter D14/447
D456,024 S * 4/2002 Richter D14/434
D566,118 S * 4/2008 Brassard D14/434
D847,800 S * 5/2019 Wengreen D14/238.1



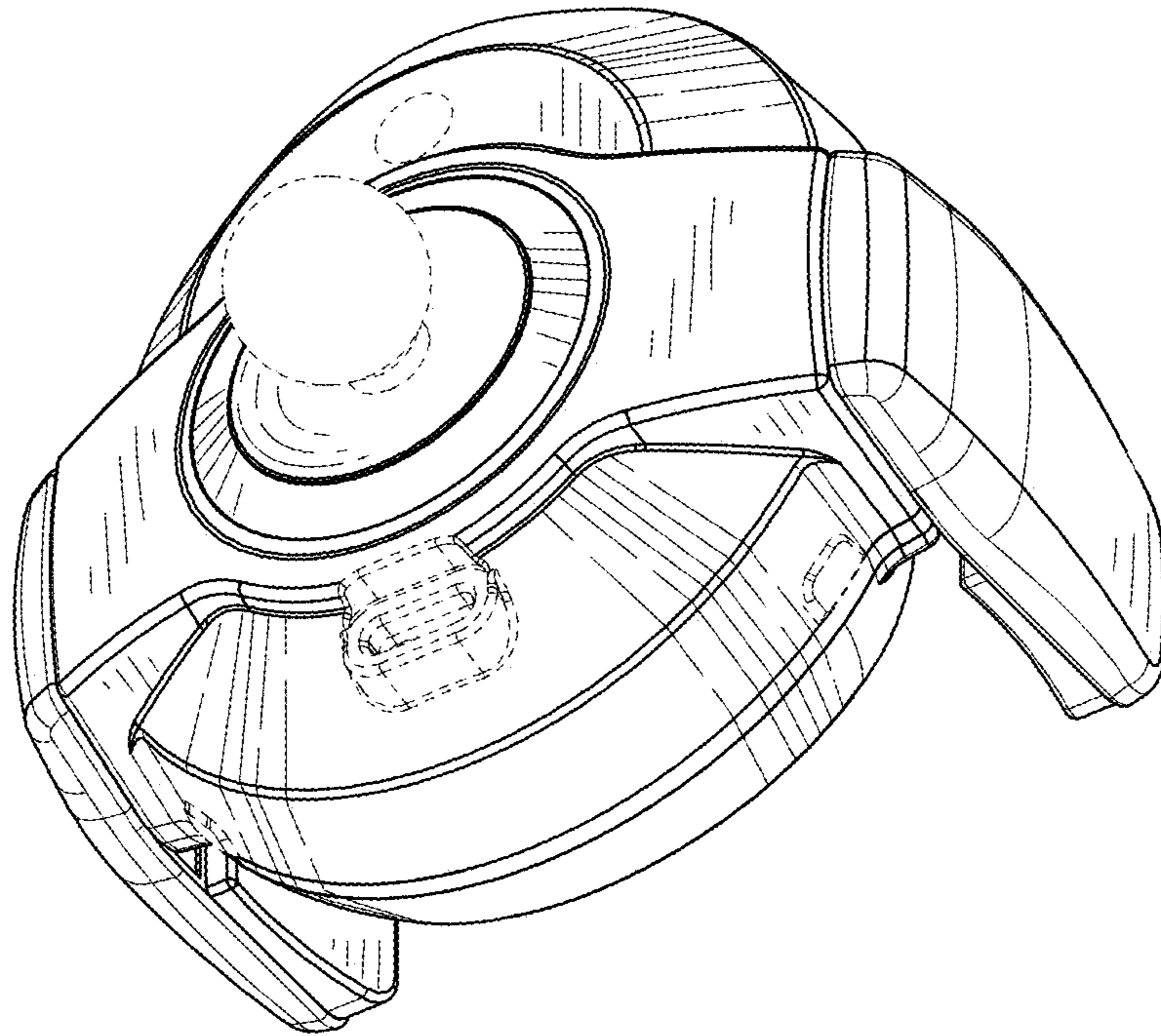


FIG. 1

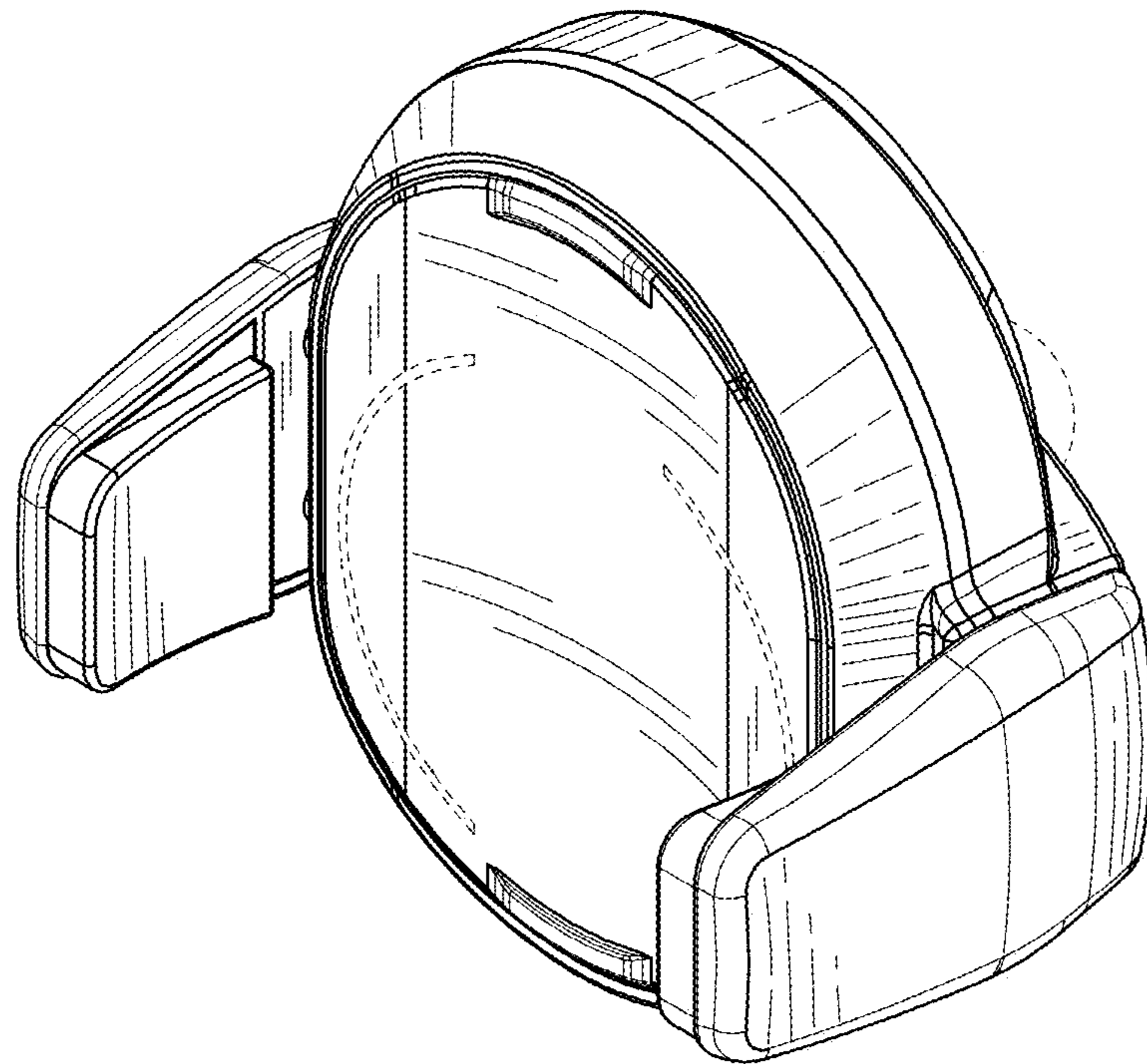


FIG. 2

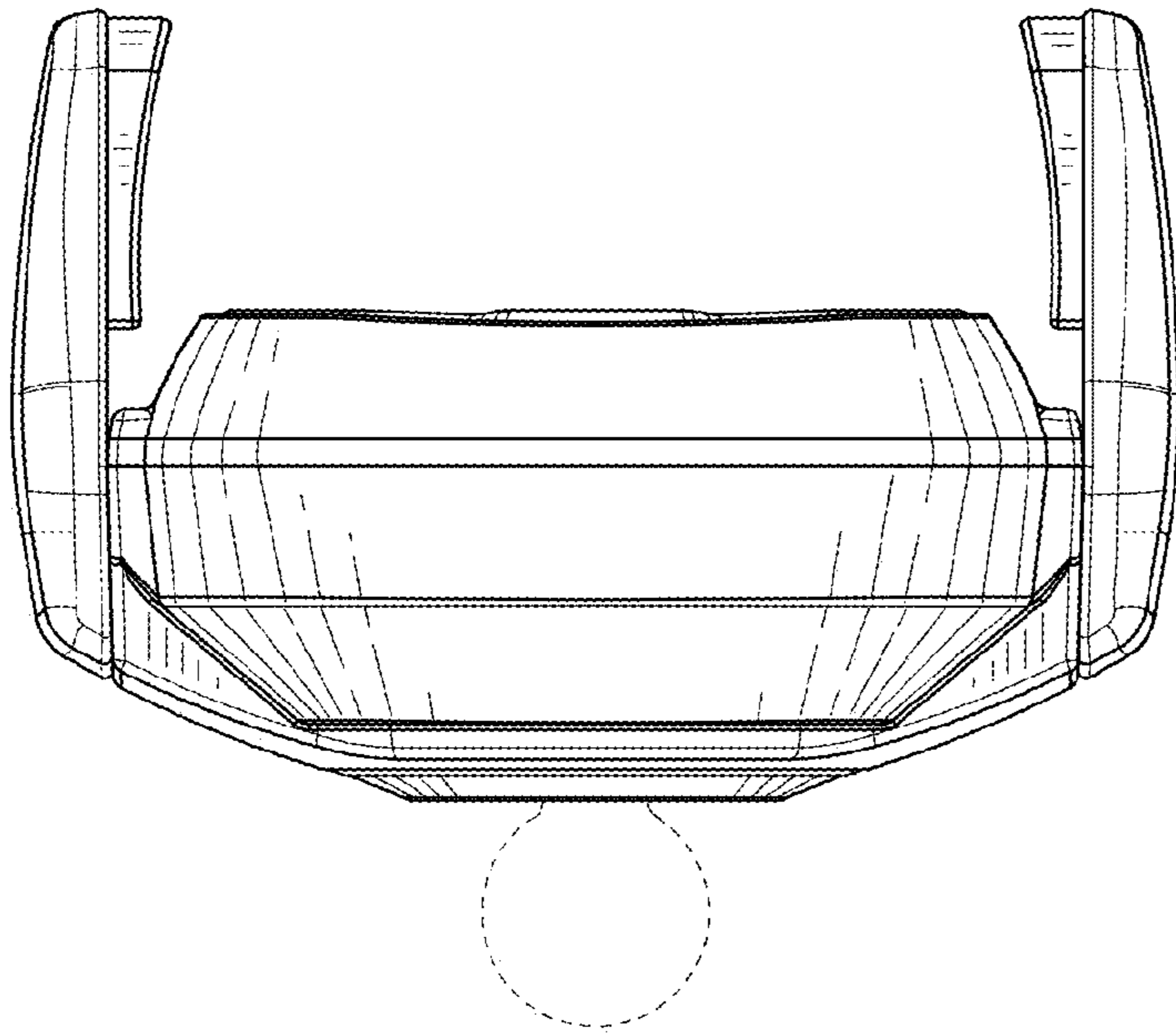


FIG. 3

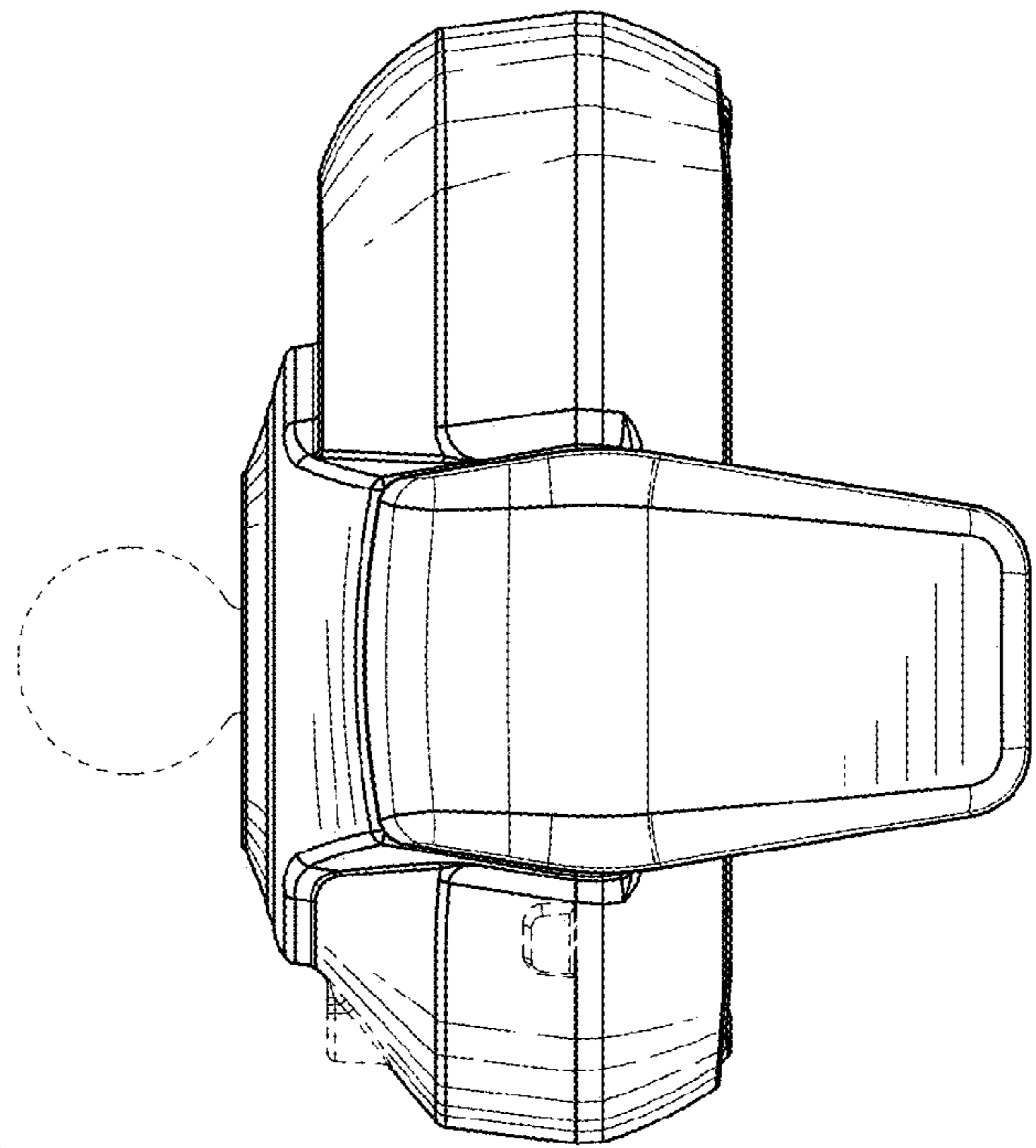


FIG. 4

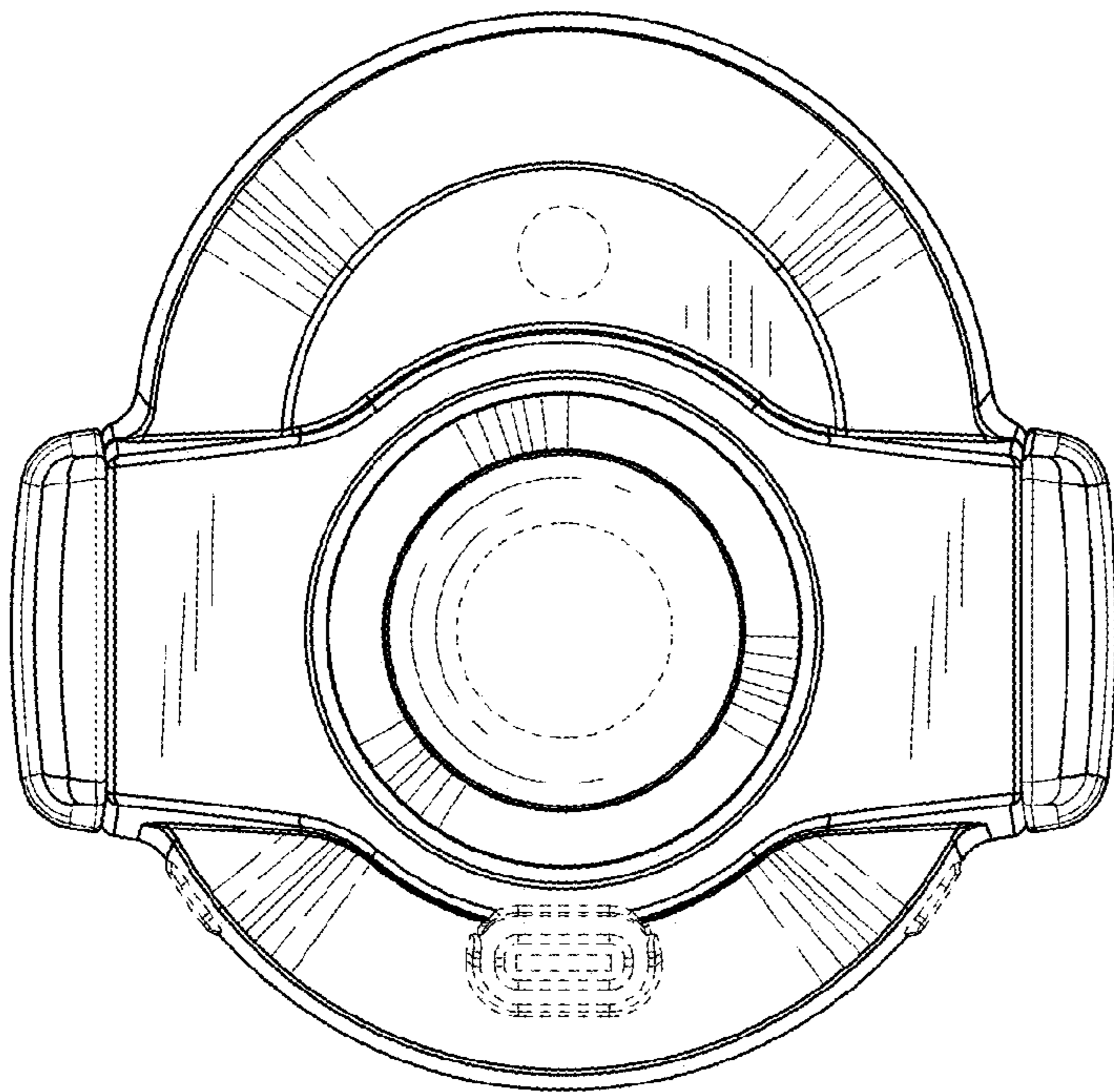


FIG. 5

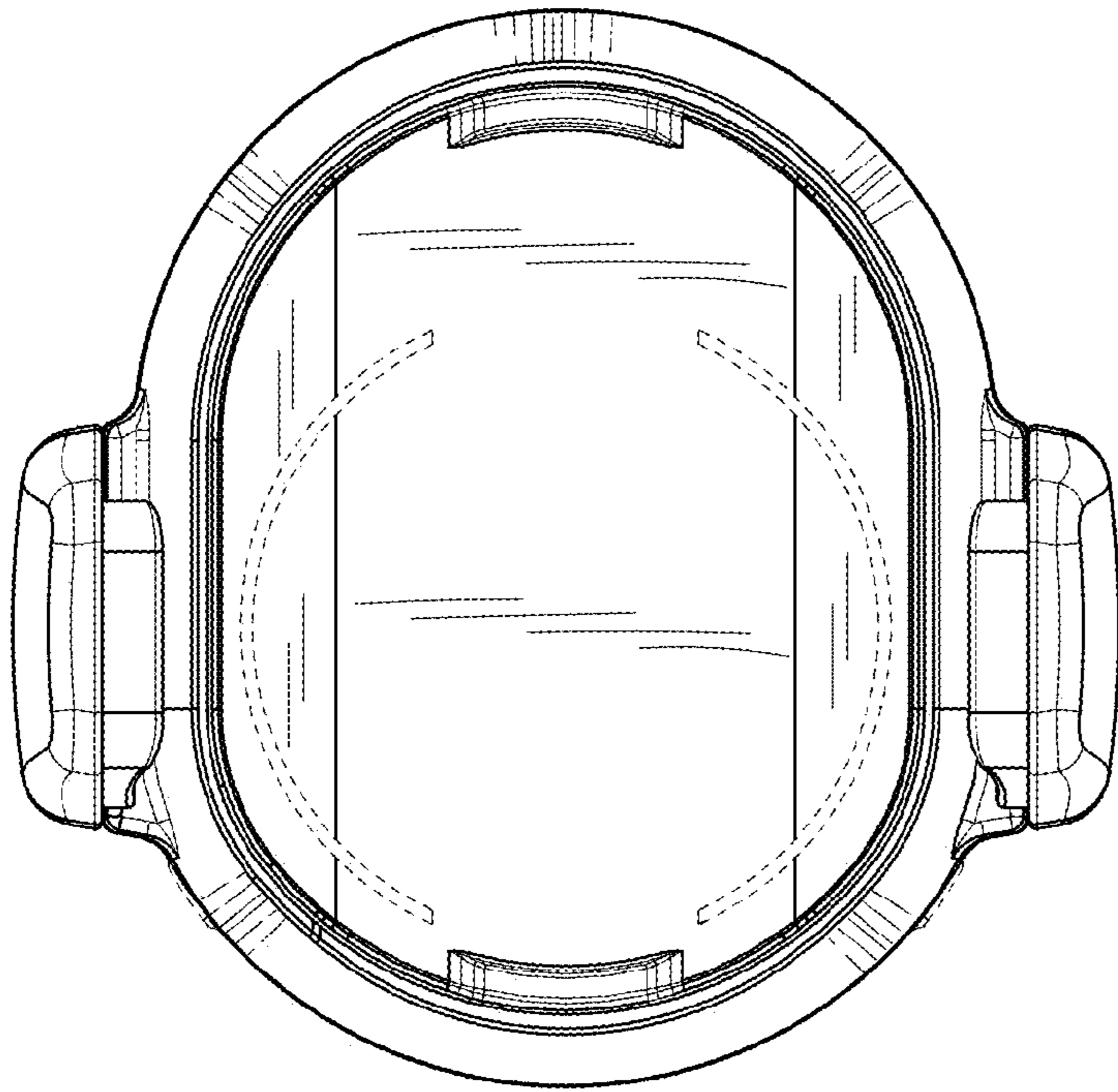


FIG. 6

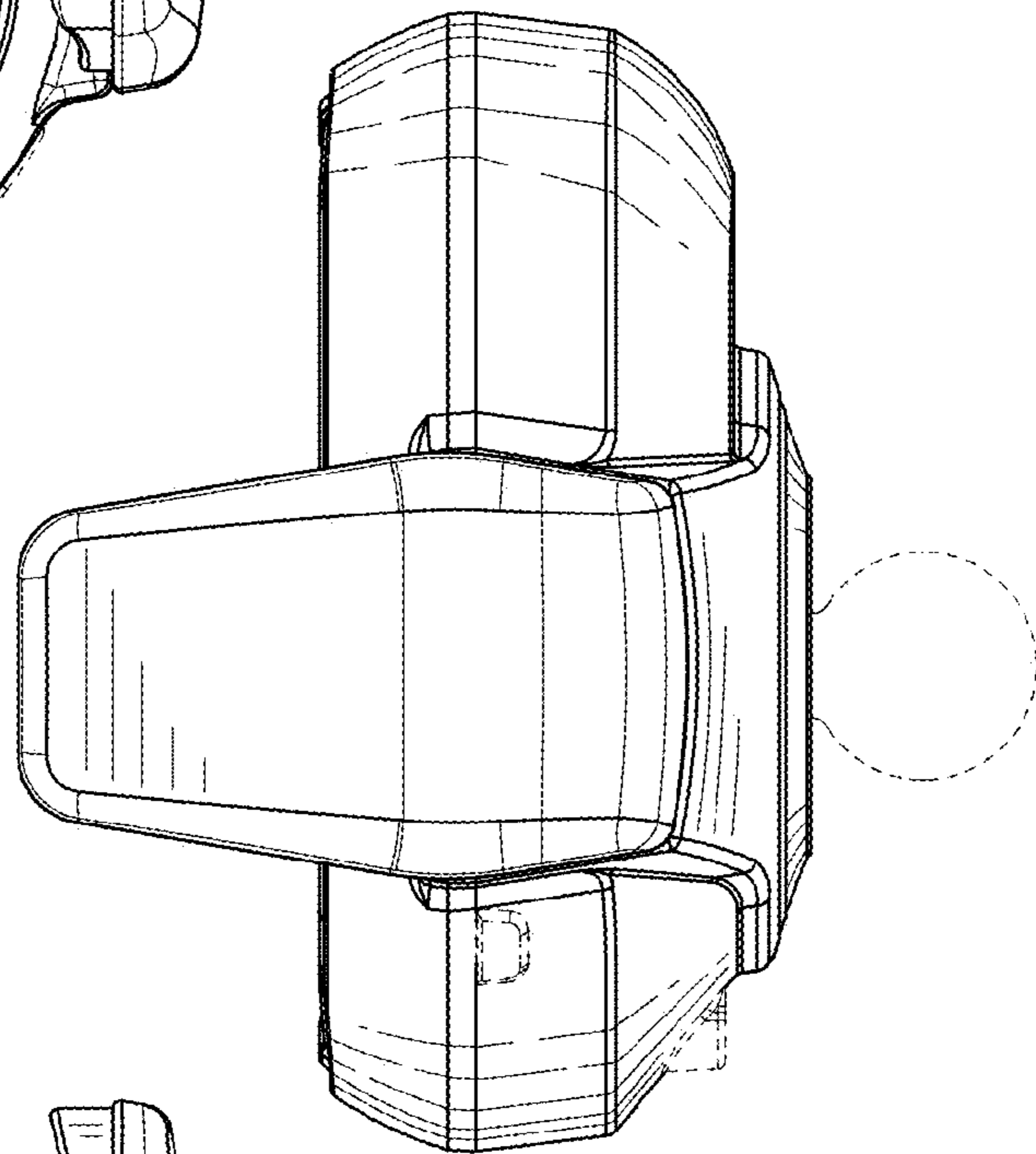


FIG. 7

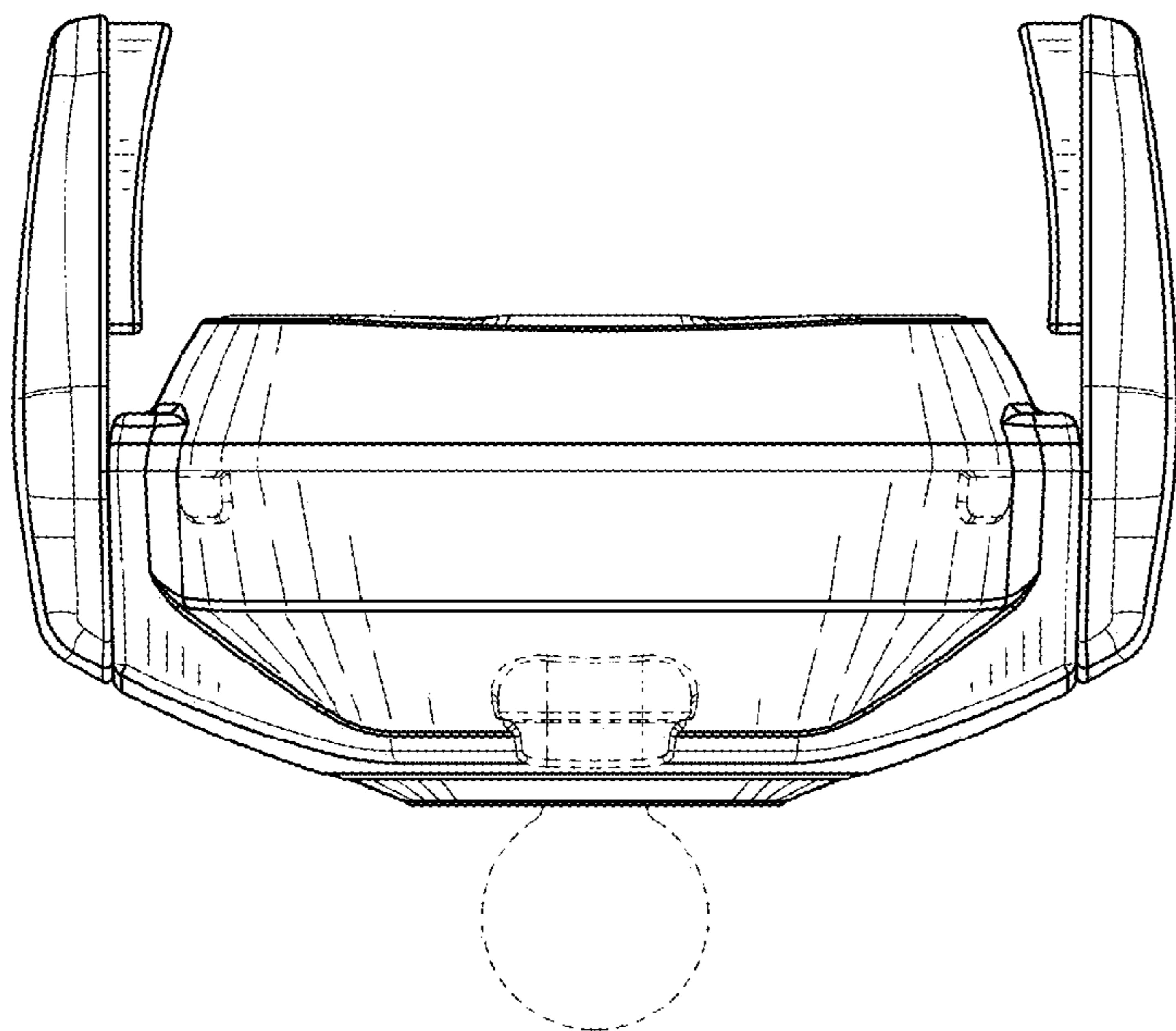


FIG. 8