



US00D898665S

(12) **United States Design Patent**
Georgiades

(10) **Patent No.:** **US D898,665 S**

(45) **Date of Patent:** **** Oct. 13, 2020**

(54) **PORTABLE BATTERY CHARGER WITH LID**

(71) Applicant: **Molonlave Group LLC**, Long Island City, NY (US)

(72) Inventor: **Marios Georgiades**, Saddle River, NJ (US)

(73) Assignee: **Molonlave Group LLC**, Long Island City, NY (US)

(**) Term: **15 Years**

(21) Appl. No.: **29/671,336**

(22) Filed: **Nov. 26, 2018**

(51) **LOC (12) Cl.** **13-02**

(52) **U.S. Cl.**
USPC **D13/108**

(58) **Field of Classification Search**
USPC D13/103-110, 118, 119, 184, 199;
D14/251, 253, 432, 434
CPC Y02E 60/10; Y02E 60/12; Y02E 60/122;
Y02E 60/124; Y02E 60/50; H01M 2/02;
H01M 2/022; H01M 2/0202; H01M
2/0207; H01M 2/0212; H01M 2/1061;
H01M 2/1022; H01M 2/1055; H01M
2/1066; H01M 2/105; H01M 2/20; H01M
2/202; H01M 2/204; H01M 2/206; H01M
10/44; H01M 10/46; H01M 10/465;
H01M 10/482; H01M 2200/30; H01M
2250/30; H01M 2250/40; H02J 7/00;
H02J 7/0003; H02J 7/0011; H02J 7/0013;
H02J 7/0054; H02J 7/0055; H02J 7/0057;
H02J 2007/0062

See application file for complete search history.

(56) **References Cited**

U.S. PATENT DOCUMENTS

D478,310 S * 8/2003 Andre D13/110
D478,546 S * 8/2003 Andre D13/110

D479,823 S * 9/2003 Andre D13/110
D610,538 S * 2/2010 Wu D13/103
D656,094 S * 3/2012 Wu D13/108
D657,743 S * 4/2012 Andre D13/110
D658,123 S * 4/2012 Andre D13/110
D662,473 S * 6/2012 Andre D13/110
D663,687 S * 7/2012 Liu D13/108
D663,688 S * 7/2012 Liu D13/108
D682,777 S * 5/2013 Gupta D13/103
D683,899 S * 6/2013 Liu D13/108
D685,322 S * 7/2013 Szymanski D13/108
D694,183 S * 11/2013 Matsuoka D13/110
D694,185 S * 11/2013 Matsuoka D13/110
D694,706 S * 12/2013 Kuo D13/108

(Continued)

Primary Examiner — Rosemary K Tarcza

Assistant Examiner — Christy M Nemeth

(74) *Attorney, Agent, or Firm* — Roy L. Chan, A
Professional Law Corporation; Ray L. Chan

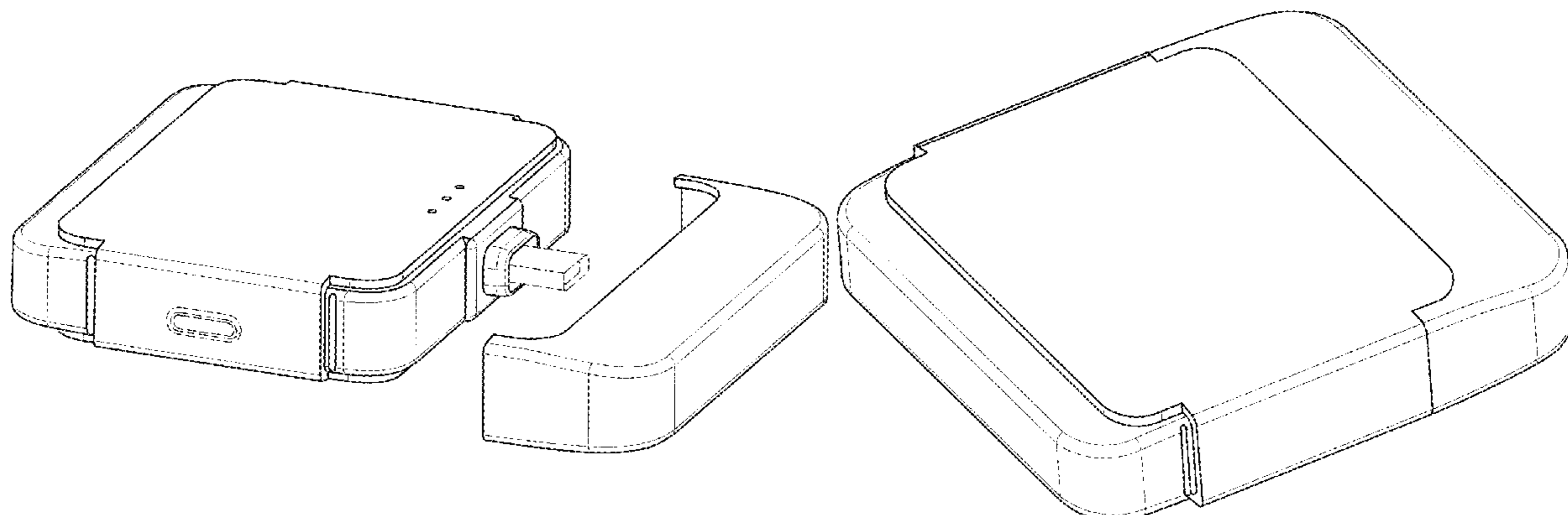
(57) **CLAIM**

The ornamental design for a portable battery charger with lid, as shown and described.

DESCRIPTION

FIG. 1 is a top, front and left perspective view of a portable battery charger with lid, shown in an open configuration; FIG. 2 is a bottom, back and right perspective view of the portable battery charger with lid, shown in a closed configuration; FIG. 3 is a top plan view thereof; FIG. 4 is a bottom plan view thereof; FIG. 5 is a right elevational view thereof; FIG. 6 is a left elevational view thereof; FIG. 7 is a back elevational view thereof; and, FIG. 8 is a front elevational view thereof. The broken lines in the drawings illustrate portions of the portable battery charger with lid that form no part of the claimed design.

1 Claim, 4 Drawing Sheets



(56)

References Cited

U.S. PATENT DOCUMENTS

D704,135 S * 5/2014 Stewart D13/108
D736,153 S * 8/2015 Levy D13/108
D736,154 S * 8/2015 Levy D13/108
D738,822 S * 9/2015 Stewart D13/108
D740,224 S * 10/2015 Stewart D13/108
D740,749 S * 10/2015 Stewart D13/108
D772,160 S * 11/2016 Roberts D13/110
D773,989 S * 12/2016 Schiff D13/107
D784,258 S * 4/2017 Vienna D13/108
D784,921 S * 4/2017 Huang D13/107
D790,455 S * 6/2017 McGarry D13/107
D806,021 S * 12/2017 Xu D13/107
D813,803 S * 3/2018 Massar D13/108
D814,412 S * 4/2018 Georgiades D13/108
D816,026 S * 4/2018 Georgiades D13/108
D816,606 S * 5/2018 Georgiades D13/108
D821,972 S * 7/2018 Wei D13/108
D824,850 S * 8/2018 Kojima D13/107
D844,559 S * 4/2019 Mercer D13/107
D845,235 S * 4/2019 Yang D13/108
D853,962 S * 7/2019 Kanarellis D13/110
D858,530 S * 9/2019 Liao D14/434
D861,601 S * 10/2019 Lin D13/108
2010/0117597 A1 * 5/2010 Wang H02J 7/0042
320/111
2013/0187459 A1 * 7/2013 Green H02J 3/00
307/31
2014/0333263 A1 * 11/2014 Stewart H02J 7/0042
320/111
2015/0280479 A1 * 10/2015 Levy H02J 7/0055
320/111
2019/0199047 A1 * 6/2019 Zhang H01R 31/06

* cited by examiner

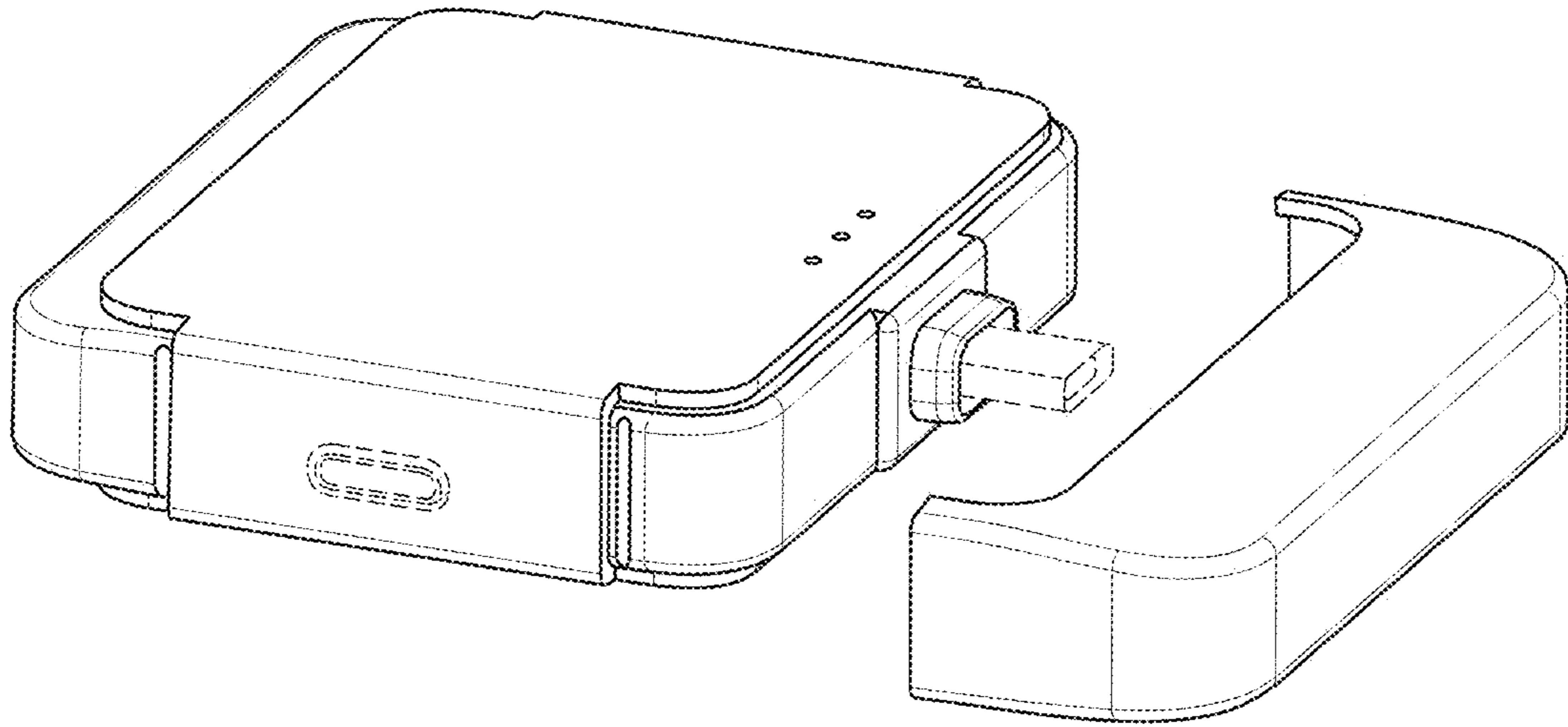


FIG. 1

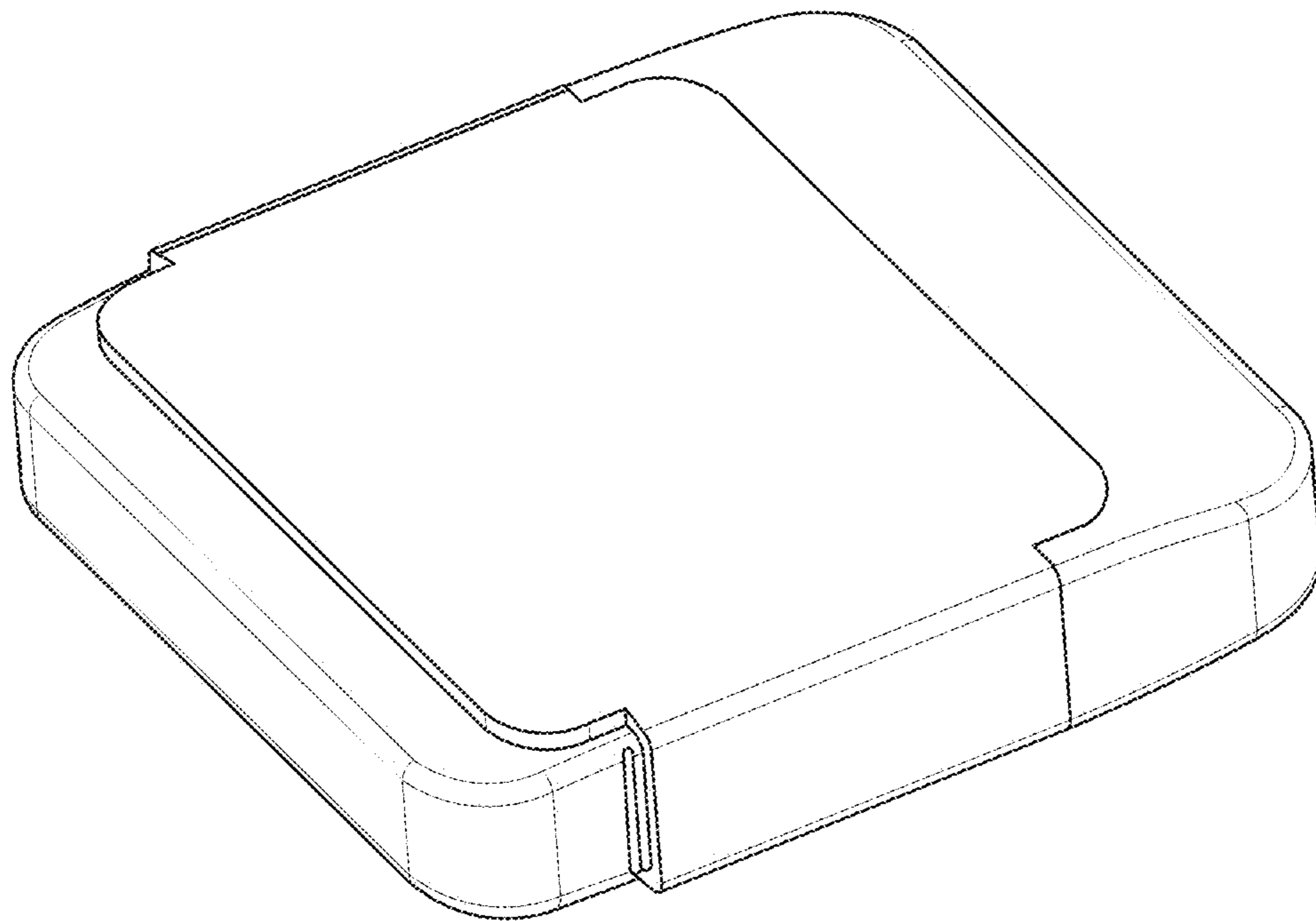


FIG. 2

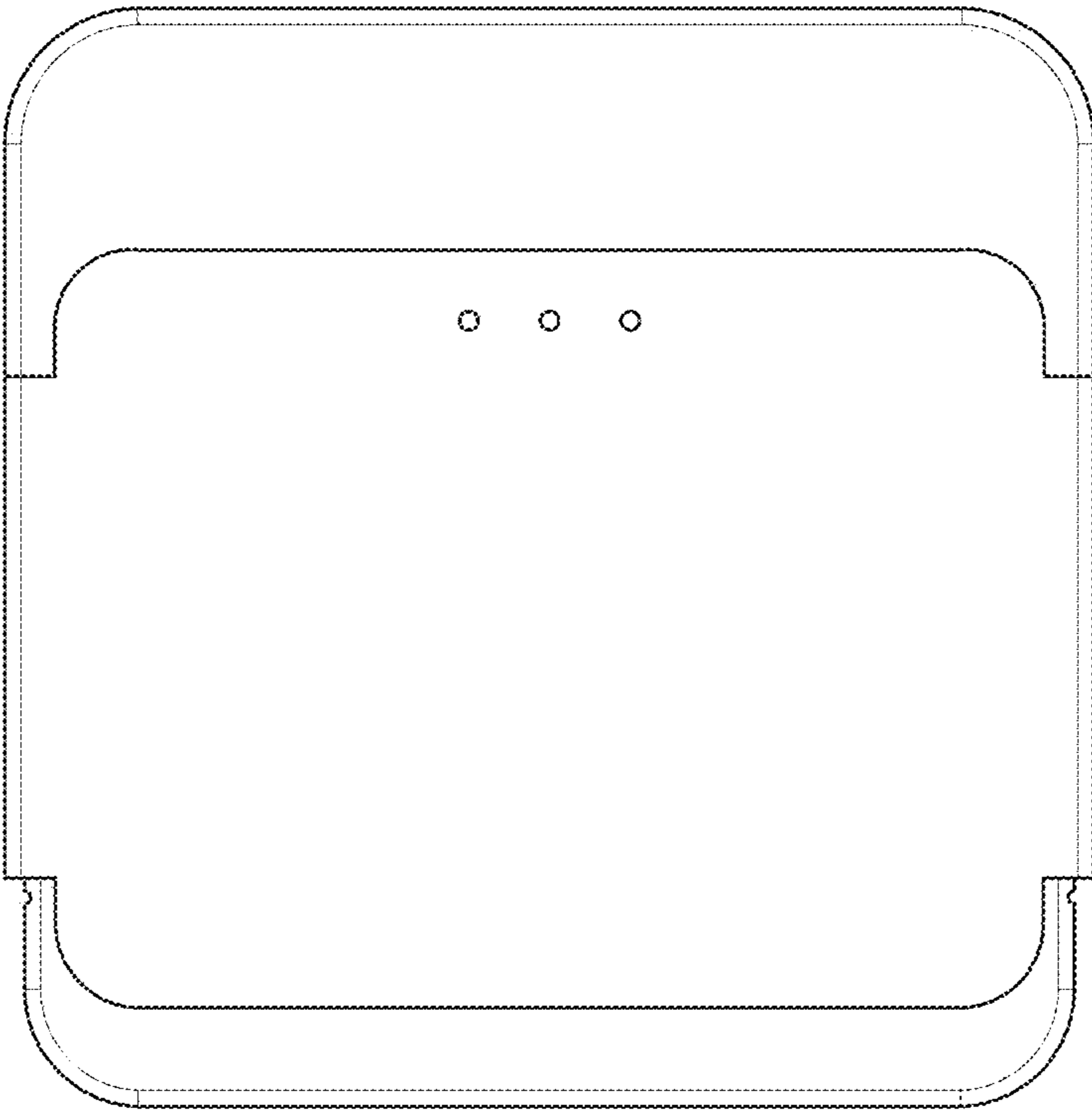


FIG. 3

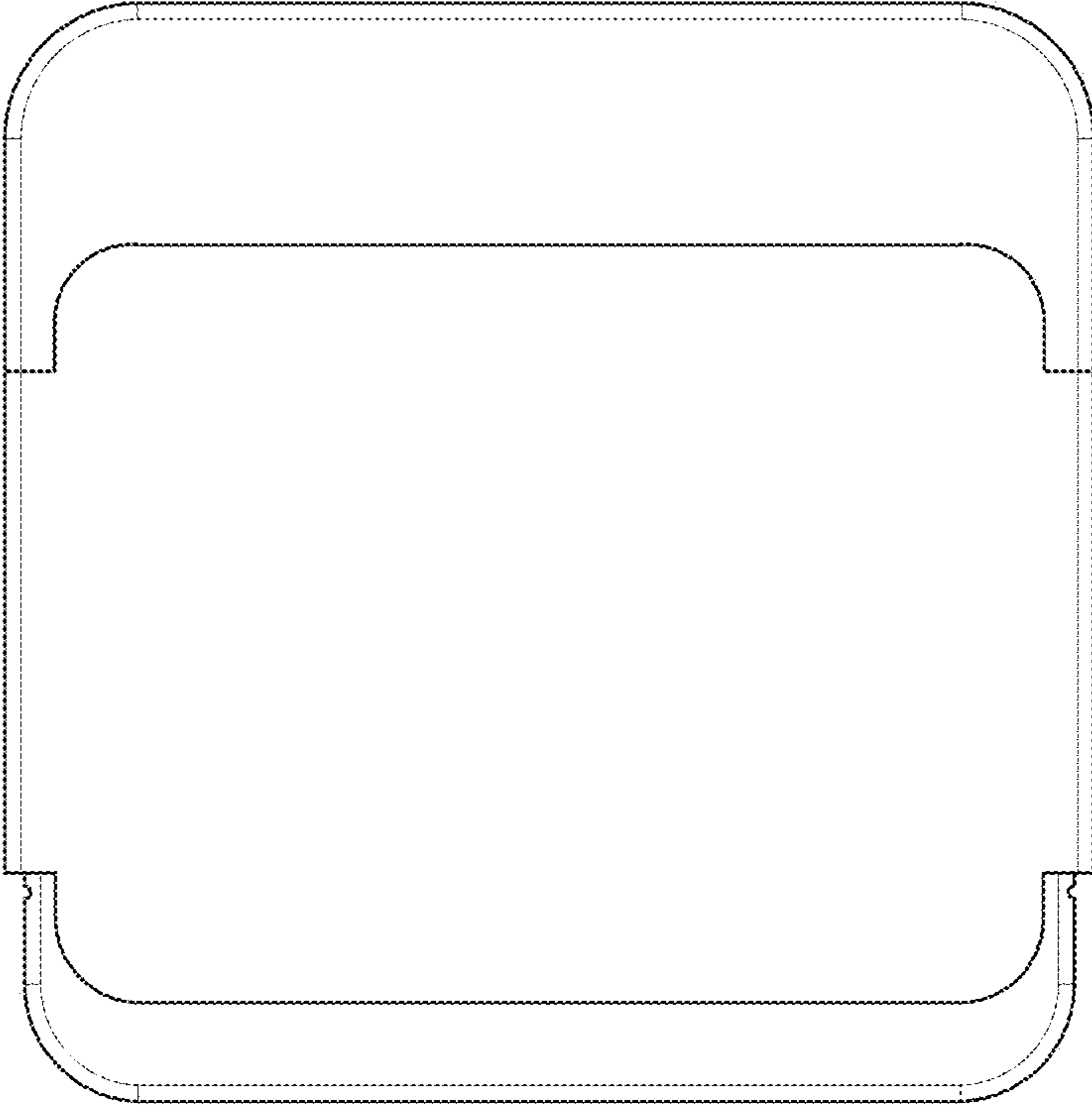


FIG. 4

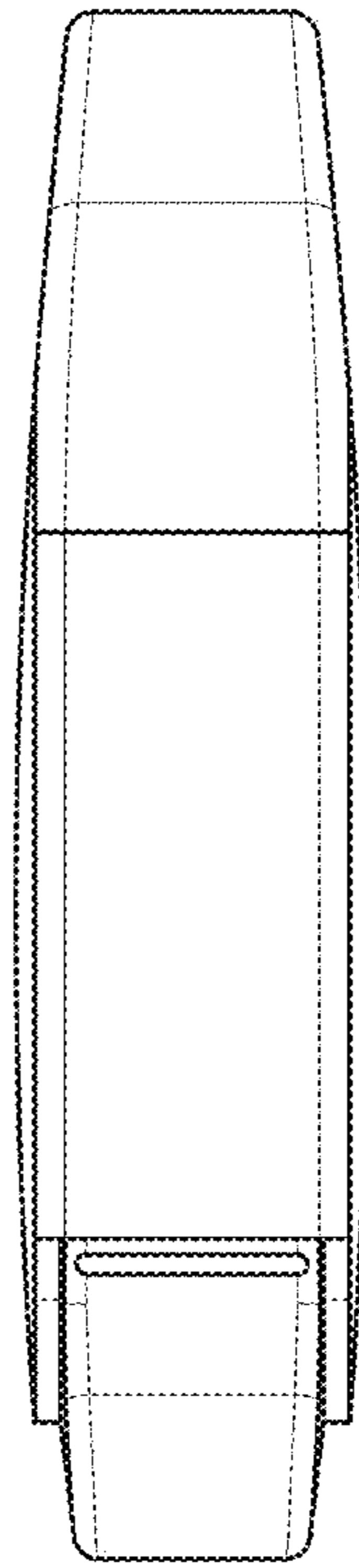


FIG. 5

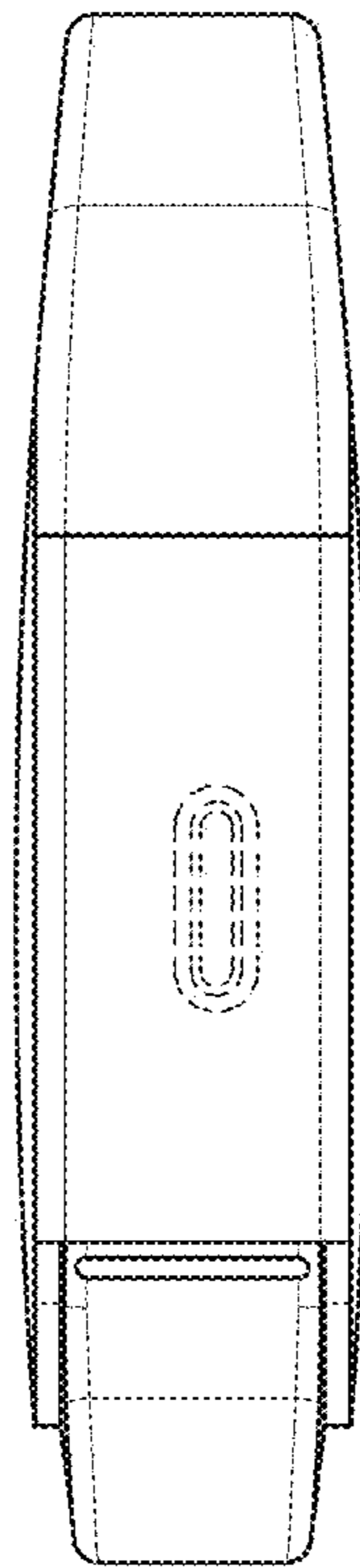


FIG. 6

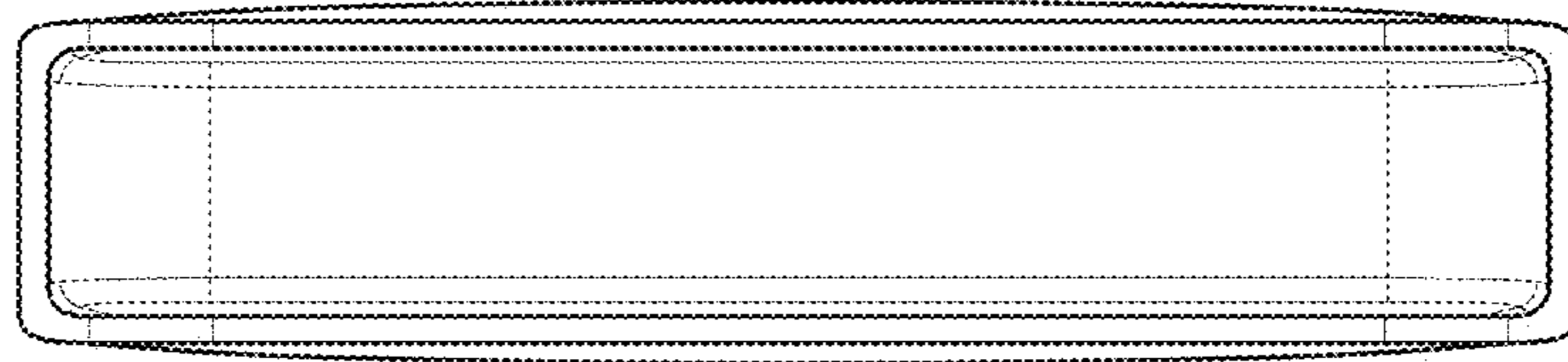


FIG. 7

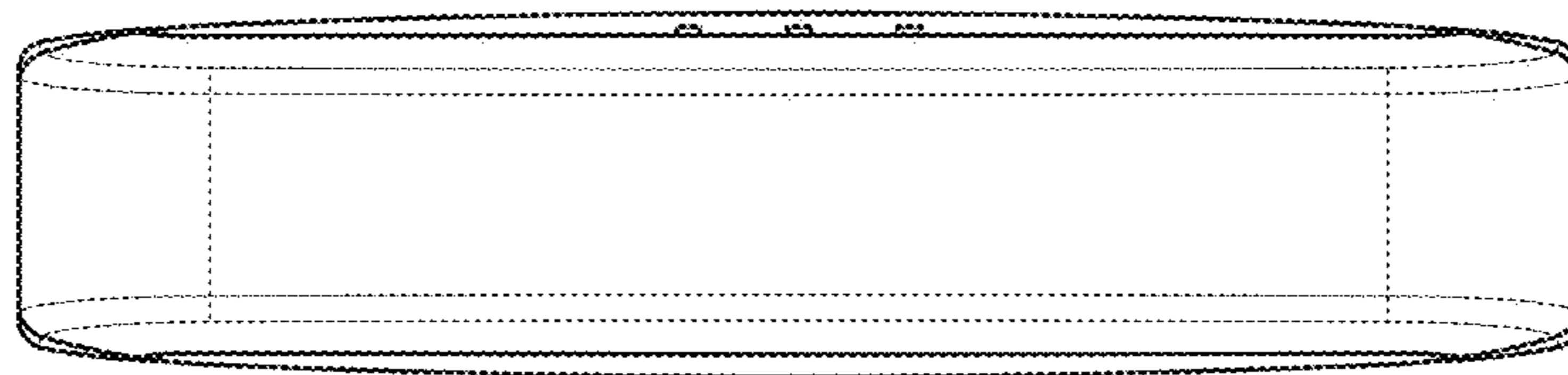


FIG. 8