



US00D898663S

(12) **United States Design Patent**  
**Niedzwecki**

(10) **Patent No.:** **US D898,663 S**

(45) **Date of Patent:** **\*\* Oct. 13, 2020**

(54) **BATTERY PACK**

7/0057; Y02T 10/7005; Y02T 10/705;  
Y02T 10/7088; B60L 11/1809; B60L  
11/1861

(71) Applicant: **SharkNinja Operating, LLC,**  
Needham, MA (US)

See application file for complete search history.

(72) Inventor: **Scott Niedzwecki,** East Walpole, MA  
(US)

(56) **References Cited**

(73) Assignee: **SharkNinja Operating LLC,**  
Needham, MA (US)

U.S. PATENT DOCUMENTS

(\*\*) Term: **15 Years**

D595,647 S *	7/2009	Shum .....	D13/110
D641,694 S *	7/2011	Akahori .....	D13/107
D695,680 S *	12/2013	Workman .....	D13/103
D830,966 S *	10/2018	Siminoff .....	D13/103
D835,574 S *	12/2018	Trongone .....	D13/103
D868,400 S *	11/2019	Niedzwecki .....	D32/18
D868,685 S *	12/2019	Niedzwecki .....	D13/103
D871,321 S *	12/2019	Chung .....	D13/103

(21) Appl. No.: **29/658,917**

(22) Filed: **Aug. 3, 2018**

\* cited by examiner

**Related U.S. Application Data**

(63) Continuation of application No. 29/614,904, filed on  
Aug. 24, 2017, now Pat. No. Des. 868,685.

*Primary Examiner* — Rosemary K Tarcza

*Assistant Examiner* — Christy M Nemeth

(51) **LOC (12) Cl.** ..... **13-02**

(74) *Attorney, Agent, or Firm* — Grossman Tucker  
Perreault & Pflieger, PLLC

(52) **U.S. Cl.**

USPC ..... **D13/103**

(57) **CLAIM**

(58) **Field of Classification Search**

USPC ..... D13/103, 107, 108, 110, 133,  
D13/137.1–137.4, 138.1–138.2,  
D13/139.1–139.8, 146, 147, 151–156,  
D13/173, 177, 199; D14/432, 433, 435.1,  
D14/250; D23/231, 232; D15/7–9;  
D8/350, 353–356; D27/101, 194

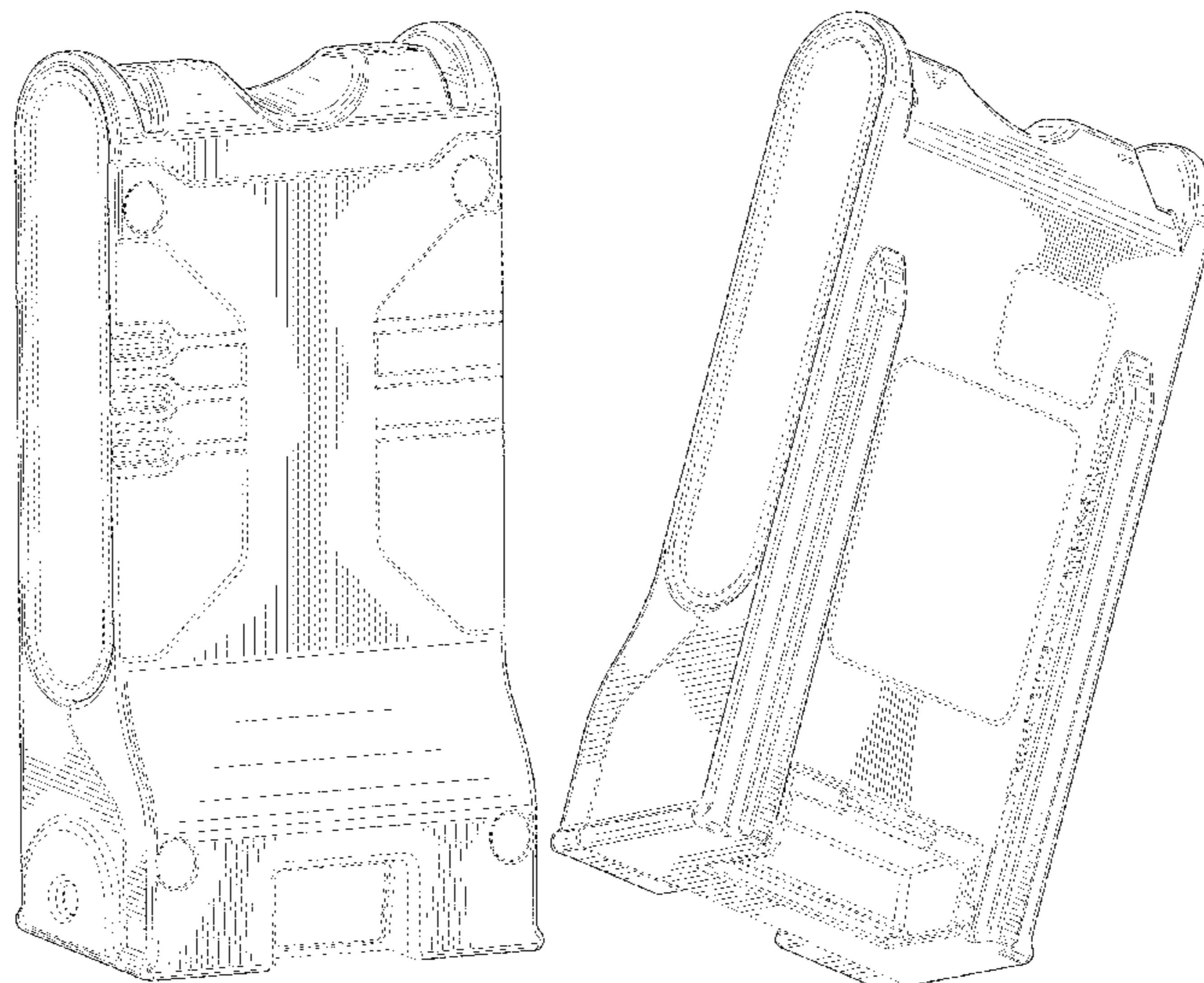
CPC ..... H01R 11/00; H01R 9/00; H01R 13/00;  
H01R 13/04; H01R 13/10; H01R  
13/6666; H01R 13/6675; H01R 25/00;  
H01R 25/006; H01H 2207/00; H01H  
2207/022; Y02E 60/12; Y02E 60/122;  
Y02E 60/124; Y02E 60/50; H01M 2/02;  
H01M 2/022; H01M 2/0202; H01M  
2/0207; H01M 2/0212; H01M 2/1061;  
H01M 2/1022; H01M 2/1055; H01M  
2/1066; H01M 2/105; H01M 2/204; H02J  
7/00; H02J 7/0003; H02J 7/0011; H02J  
7/0013; H02J 7/0054; H02J 7/0055; H02J

The ornamental design of a battery pack, as shown and  
described.

**DESCRIPTION**

FIG. 1 is a front, top perspective view of a battery pack,  
showing the new design;  
FIG. 2 is a top view thereof;  
FIG. 3 is a bottom view thereof;  
FIG. 4 is a left side view thereof;  
FIG. 5 is a right side view thereof;  
FIG. 6 is a front view thereof;  
FIG. 7 is a rear view thereof; and,  
FIG. 8 is a rear, bottom perspective view thereof.  
The broken lines in the drawings are included for the  
purpose of illustrating portions of the article that form no  
part of the claim.

**1 Claim, 8 Drawing Sheets**



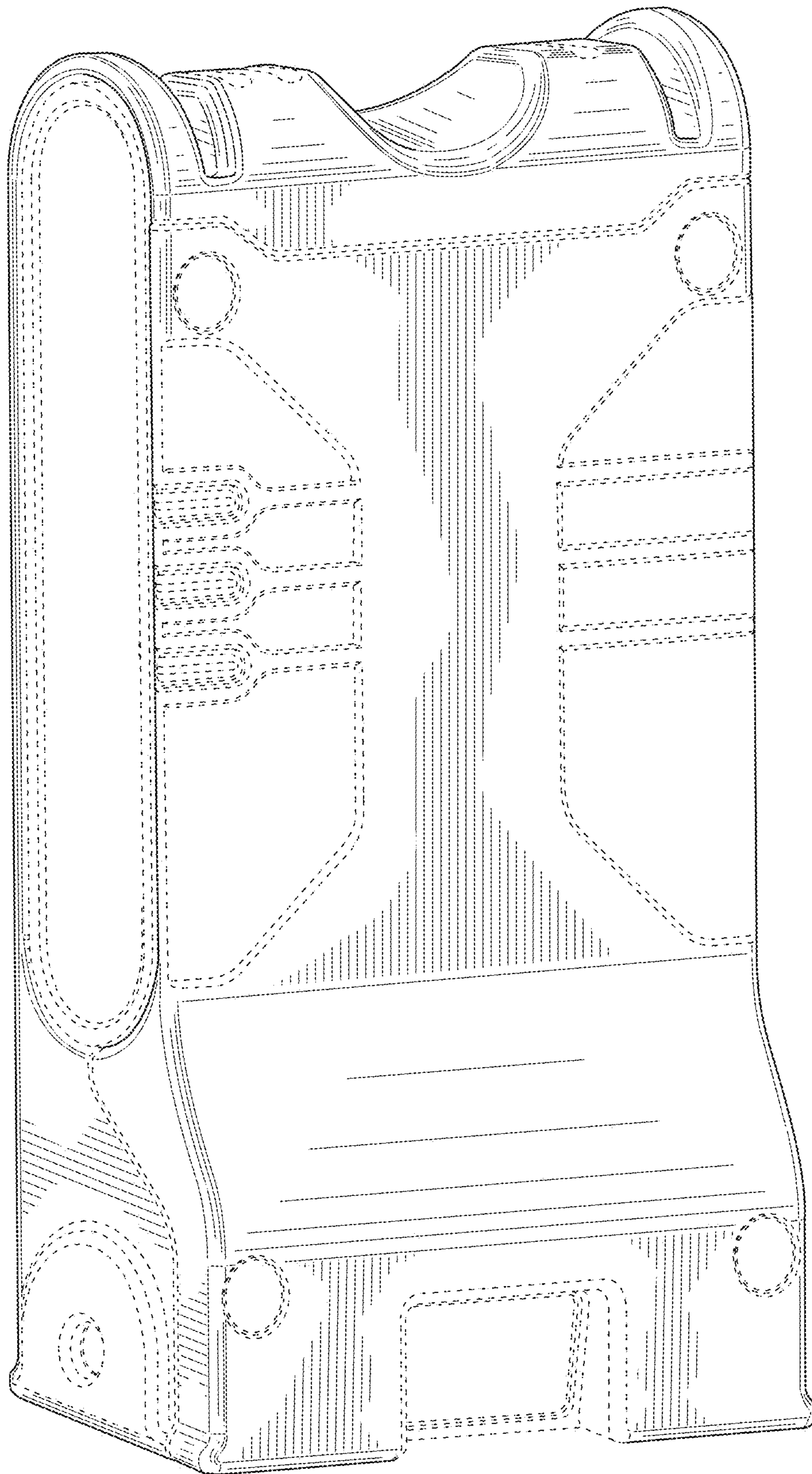


FIG. 1

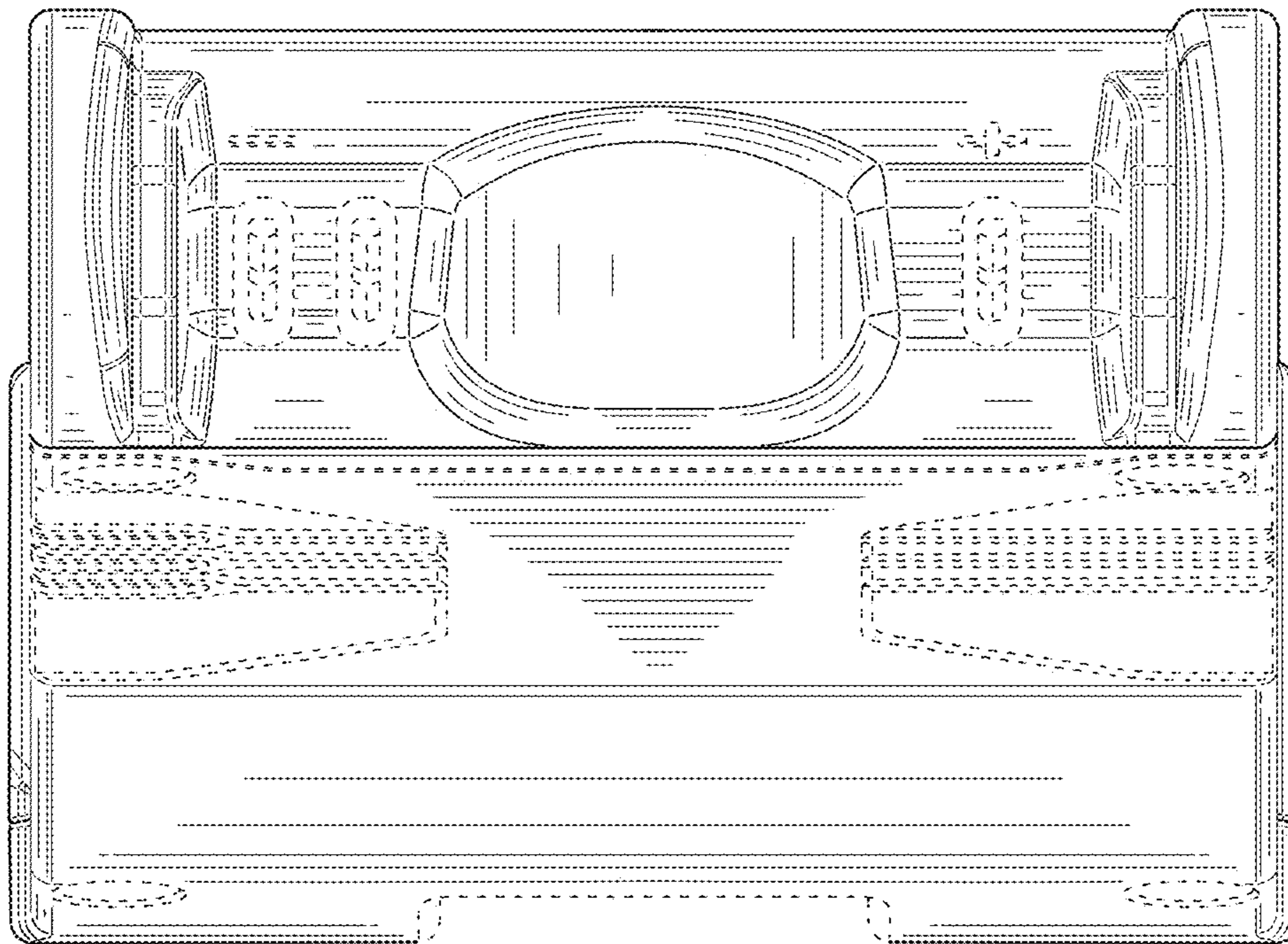


FIG. 2

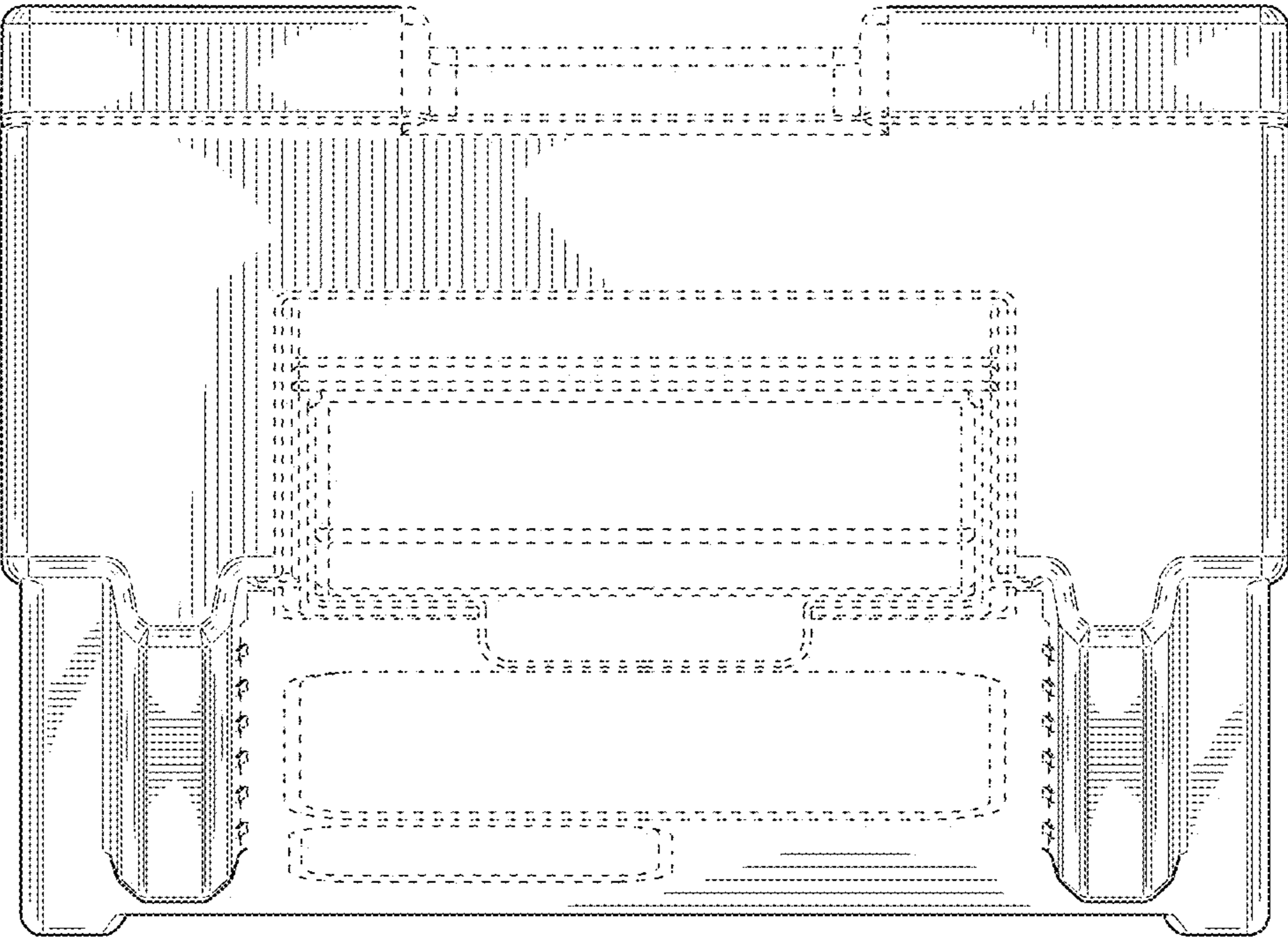


FIG. 3

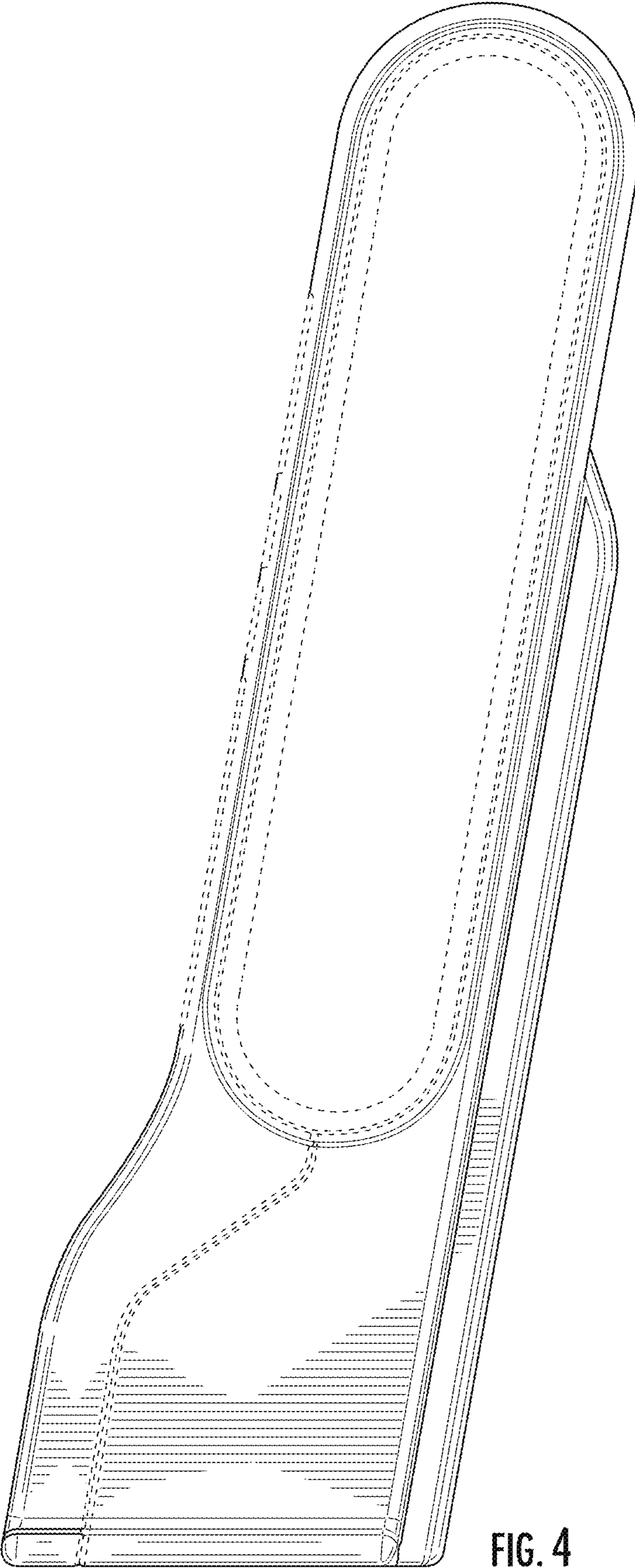


FIG. 4

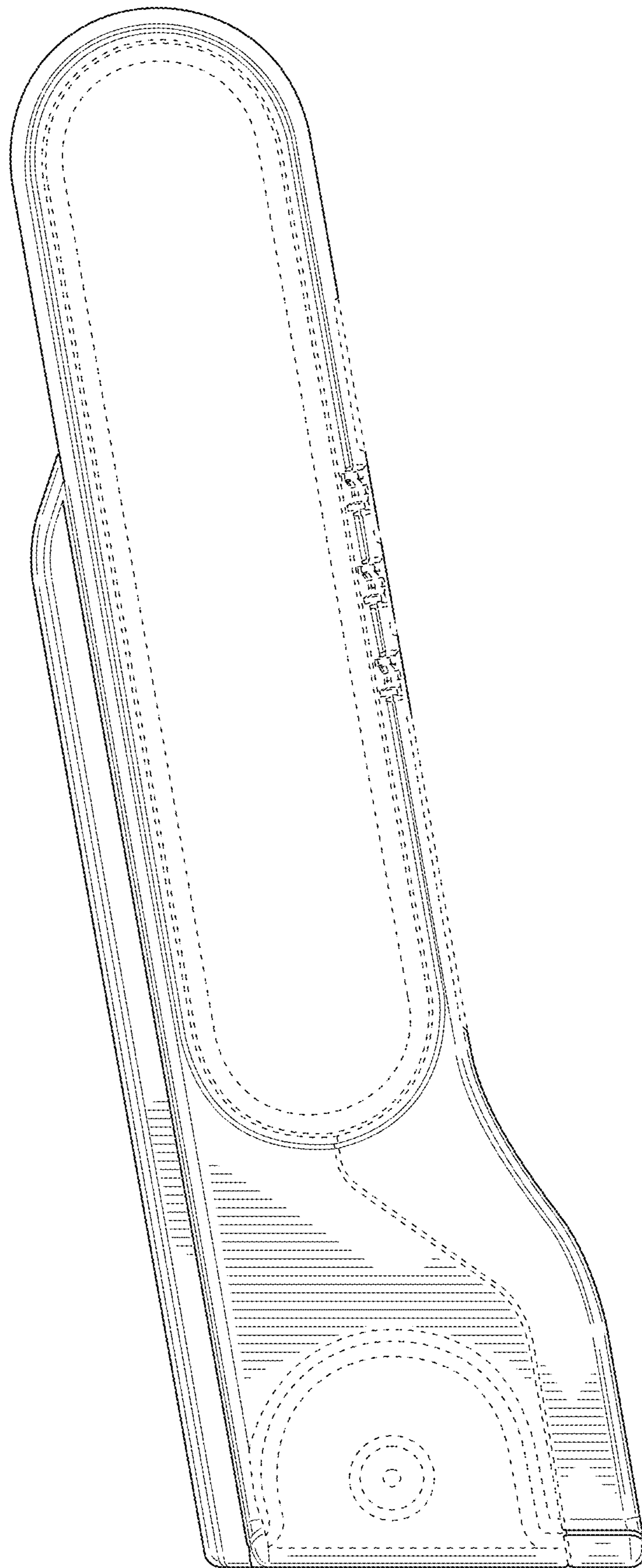


FIG. 5

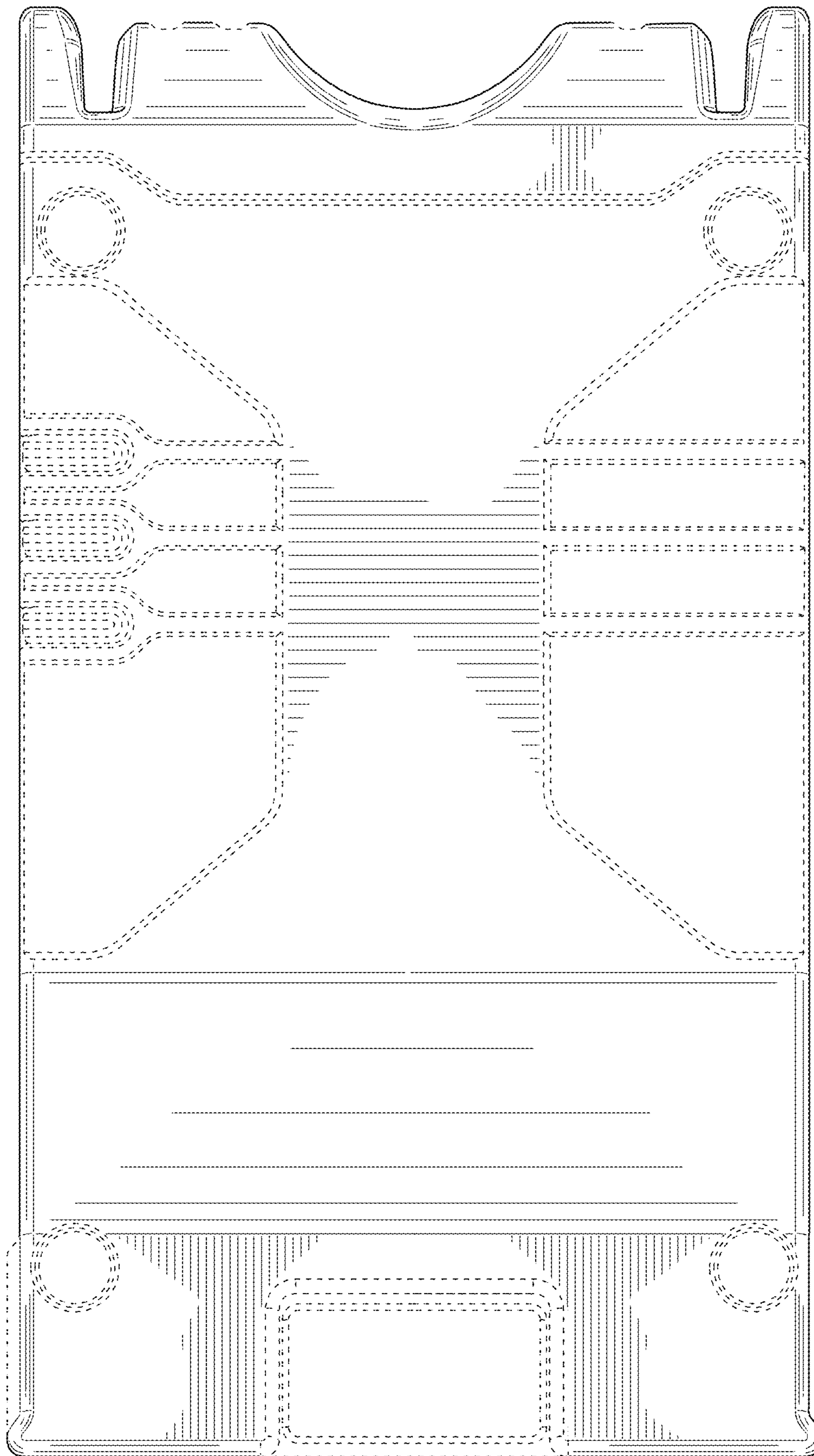


FIG. 6

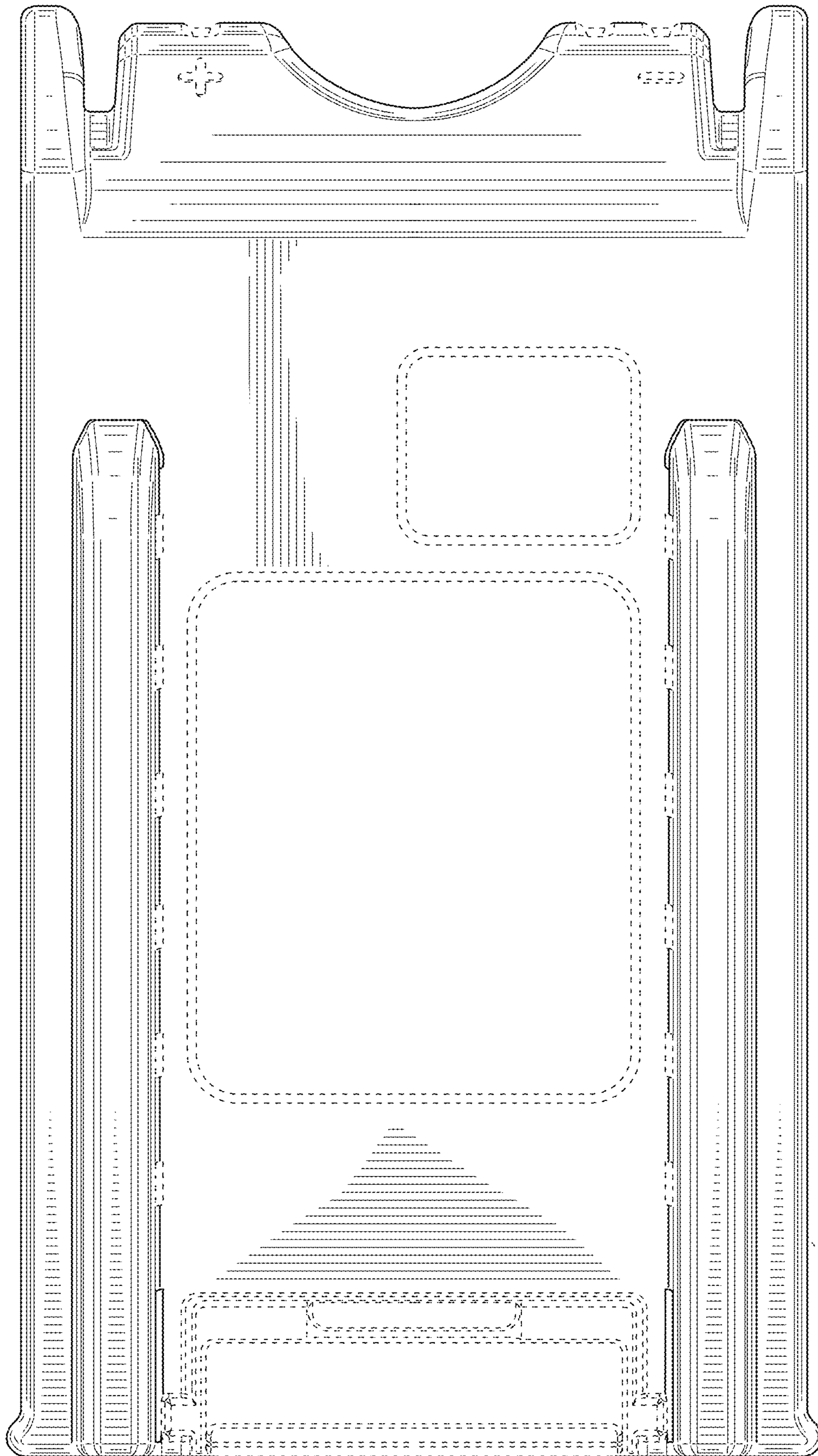


FIG. 7



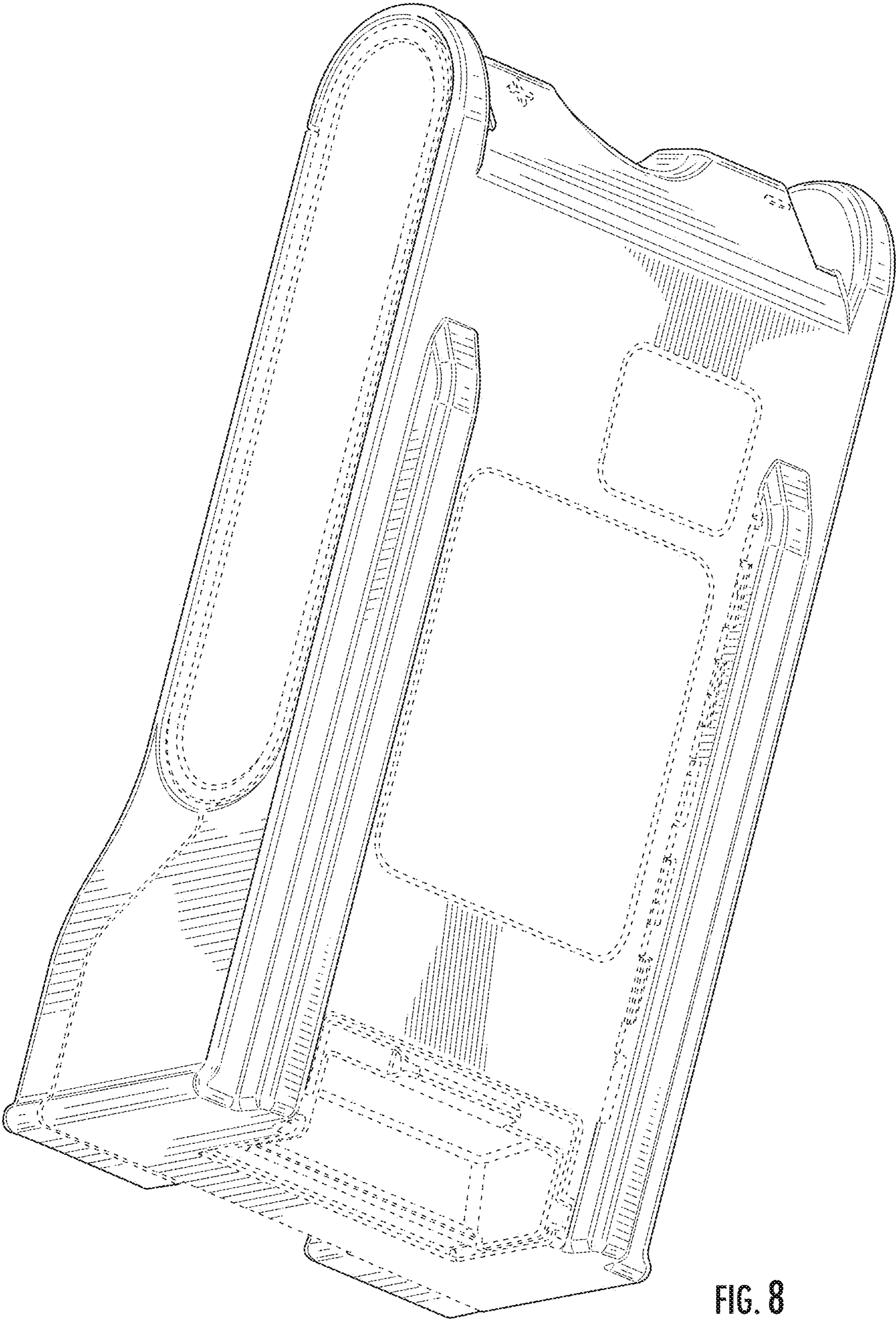


FIG. 8