



US00D898662S

(12) **United States Design Patent** (10) **Patent No.:** **US D898,662 S**
Waldron (45) **Date of Patent:** **** Oct. 13, 2020**

(54) **BATTERY**

(56) **References Cited**

(71) Applicants: **ALDI GmbH & Co. KG**, Mülheim an der Ruhr (DE); **Hofer KG**, Sattledt (AT); **ALDI Einkauf GmbH & Co. oHG (Nord)**, Essen (DE)

U.S. PATENT DOCUMENTS

D456,002 S *	4/2002	Kato	D13/103
D512,961 S *	12/2005	Okuda	D13/103
D537,408 S *	2/2007	Aglassinger	D13/103
D589,441 S *	3/2009	Van Wambeke	D13/103
D597,932 S *	8/2009	Aglassinger	D13/103
D598,373 S *	8/2009	Aglassinger	D13/103
D604,694 S *	11/2009	Aglassinger	D13/103
D606,935 S *	12/2009	Murayama	D13/103
D610,537 S *	2/2010	Sweeney	D13/103
D622,661 S *	8/2010	Yamada	D13/103

(72) Inventor: **Michael Edward Waldron**, Pocklington (GB)

(Continued)

(73) Assignees: **ALDI GMBH & CO. KG**, Mulheim an der Ruhr (DE); **HOFER KG**, Sattledt (AT); **ALDI EINKAUF GMBH & CO. OHG (NORD)**, Essen (DE)

FOREIGN PATENT DOCUMENTS

(**) Term: **15 Years**

DE 20 2017 101 159 U1 7/2017

(21) Appl. No.: **29/641,281**

OTHER PUBLICATIONS

(22) Filed: **Mar. 21, 2018**

ALDI Advertisement of Workzone 20V Max Lithium-Ion Cordless Drill, Product Code 54662; Dec. 6, 2017.

(51) **LOC (12) Cl.** **13-02**

(Continued)

(52) **U.S. Cl.**

USPC **D13/103**

(58) **Field of Classification Search**

USPC D13/102-110, 139.8, 118-119, 184, 199; D14/356, 432

CPC Y02E 60/10; Y02E 60/12; Y02E 60/122; Y02E 60/124; Y02E 60/50; H01M 2/02; H01M 2/022; H01M 2/0202; H01M 2/0207; H01M 2/0212; H01M 2/1061; H01M 2/1022; H01M 2/1055; H01M 2/1066; H01M 2/105; H01M 2/20; H01M 2/204; H01M 2/206; H01M 10/44; H01M 10/46; H01M 10/465; H01M 10/482; H01M 2200/30; H01M 2250/30; H01M 2250/40; H02J 7/00; H02J 7/0003; H02J 7/0011; H02J 7/0013; H02J 7/0054; H02J 7/0055; H02J 7/0057; H02J 2007/0062

See application file for complete search history.

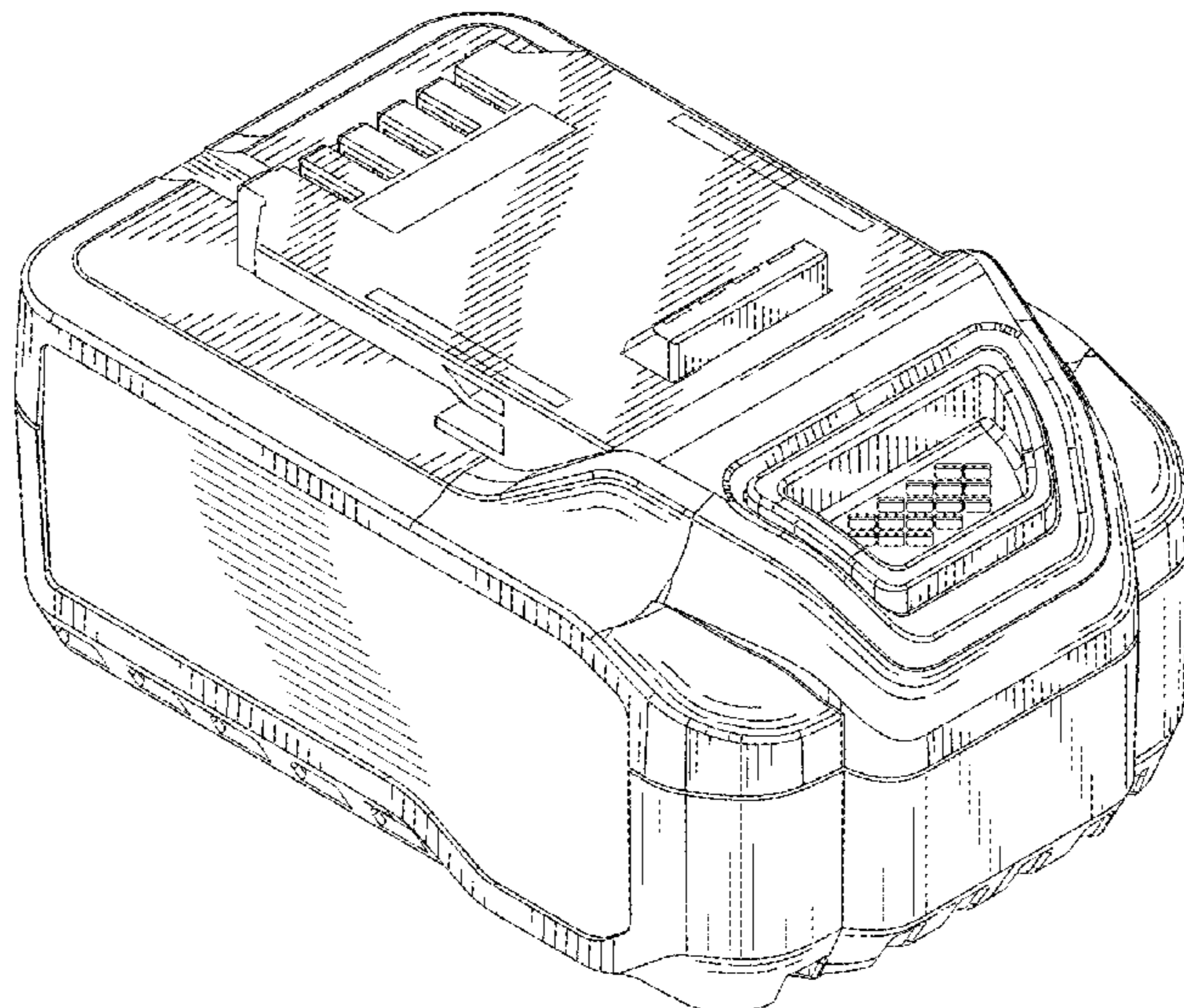
(57) **CLAIM**

The ornamental design for a battery, as shown and described.

DESCRIPTION

FIG. 1 is a perspective view from above of my battery design,
FIG. 2 is a front view of my design,
FIG. 3 is a rear view of my design,
FIG. 4 is a view of the right side thereof,
FIG. 5 is a view of the left side thereof,
FIG. 6 is a top view thereof; and,
FIG. 7 is a bottom view thereof.
The broken lines depict portions of the battery that form no part of the claimed design.

1 Claim, 5 Drawing Sheets



(56)

References Cited

U.S. PATENT DOCUMENTS

D640,190 S * 6/2011 Aglassinger D13/103
 D640,196 S * 6/2011 Shuang D13/103
 D640,197 S * 6/2011 Park D13/103
 D684,528 S * 6/2013 Murray D13/103
 D685,730 S * 7/2013 Hamm D13/103
 8,741,474 B2 * 6/2014 Melnyk H01M 2/1022
 429/163
 D776,610 S * 1/2017 Nommensen D13/103
 D780,687 S * 3/2017 Taniguchi D13/103
 D780,688 S * 3/2017 Elder D13/103
 D785,562 S * 5/2017 Cooper D13/103
 D797,661 S * 9/2017 Elder D13/103
 D812,555 S * 3/2018 Schoch D13/103
 D819,562 S * 6/2018 Waldron D13/103
 D820,656 S * 6/2018 Waldron D8/68
 D840,778 S * 2/2019 Waldron D8/68
 D841,572 S * 2/2019 Gilpatrick D13/103
 D847,600 S * 5/2019 Waldron D8/68
 2013/0330576 A1 * 12/2013 Kolden H01M 10/425
 429/7
 2016/0240901 A1 * 8/2016 Kondo H01M 10/6566

2017/0072553 A1 3/2017 Bakker
 2017/0222454 A1 8/2017 Bakker
 2018/0131058 A1 * 5/2018 Wang H01M 10/613
 2019/0067955 A1 * 2/2019 Sergyeyenko H02J 7/0013
 2019/0199101 A1 * 6/2019 Hennesy H02J 7/0004

OTHER PUBLICATIONS

ALDI Advertisement of Dec. 2017.
 ALDI Advertisement of Workzone 12V Lithium-Ion Cordless Drill, Product Code 44217, Jun. 1, 2016.
 ALDI Advertisement of Jun. 2016.
 ALDI Advertisement of Gardenline Cordless Trimmer or Blower, Product Code 45239, Apr. 13, 2016.
 ALDI Advertisement Apr. 2016.
 ALDI Advertisement of Gardenline Cordless Blower or String Trimmer, 18V Lithium-Ion Battery, May 13, 2015.
 ALDI Advertisement, May 2015.
 ALDI Advertisement of Workzone Cordless 16V Li-Ion Drill, Product Code 92707, Dec. 16, 2015.
 ALDI Advertisement, Dec. 2015.
 ALDI Battery Pack Promotions 2015-2018, pp. 1-11.

* cited by examiner

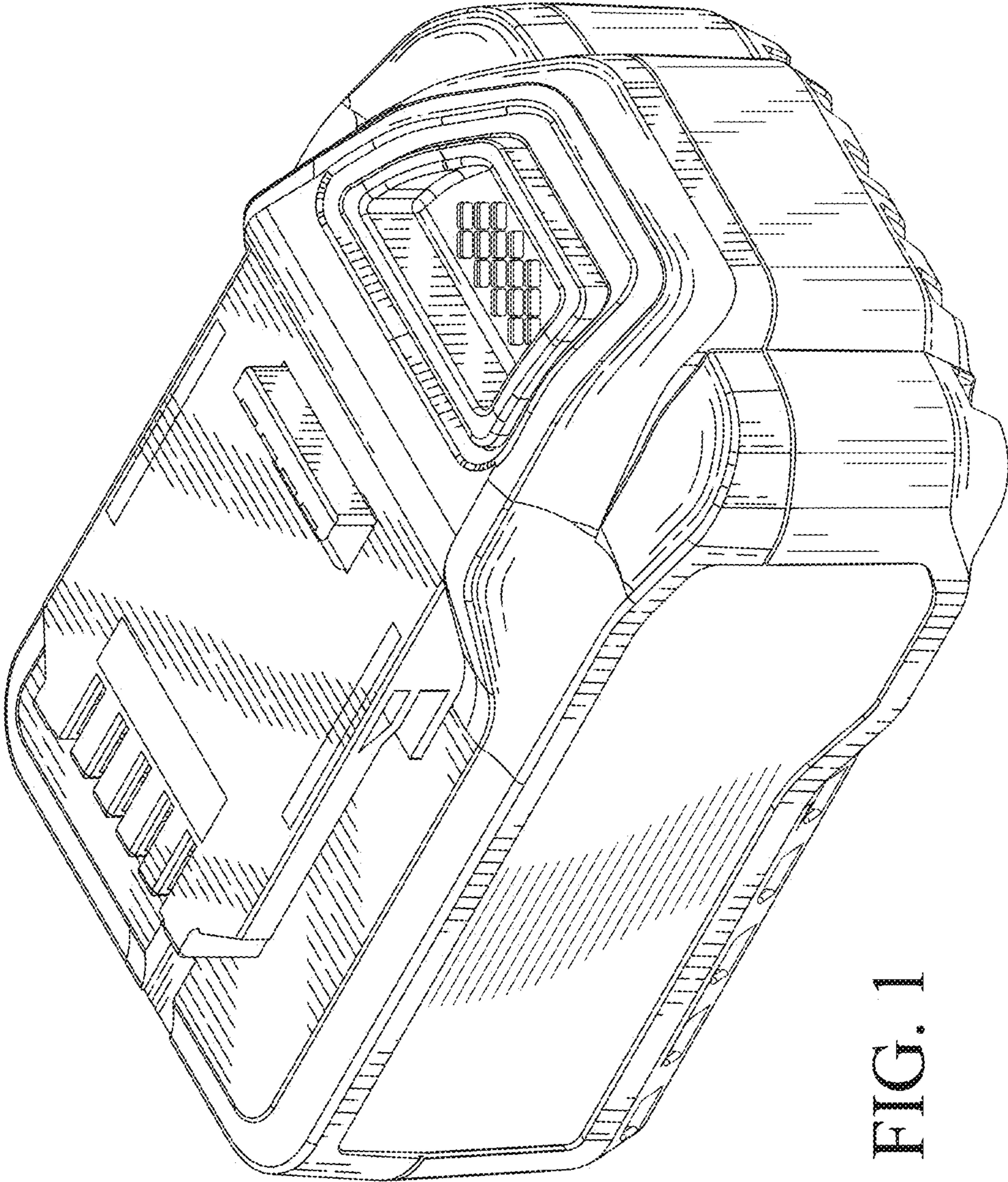


FIG. 1

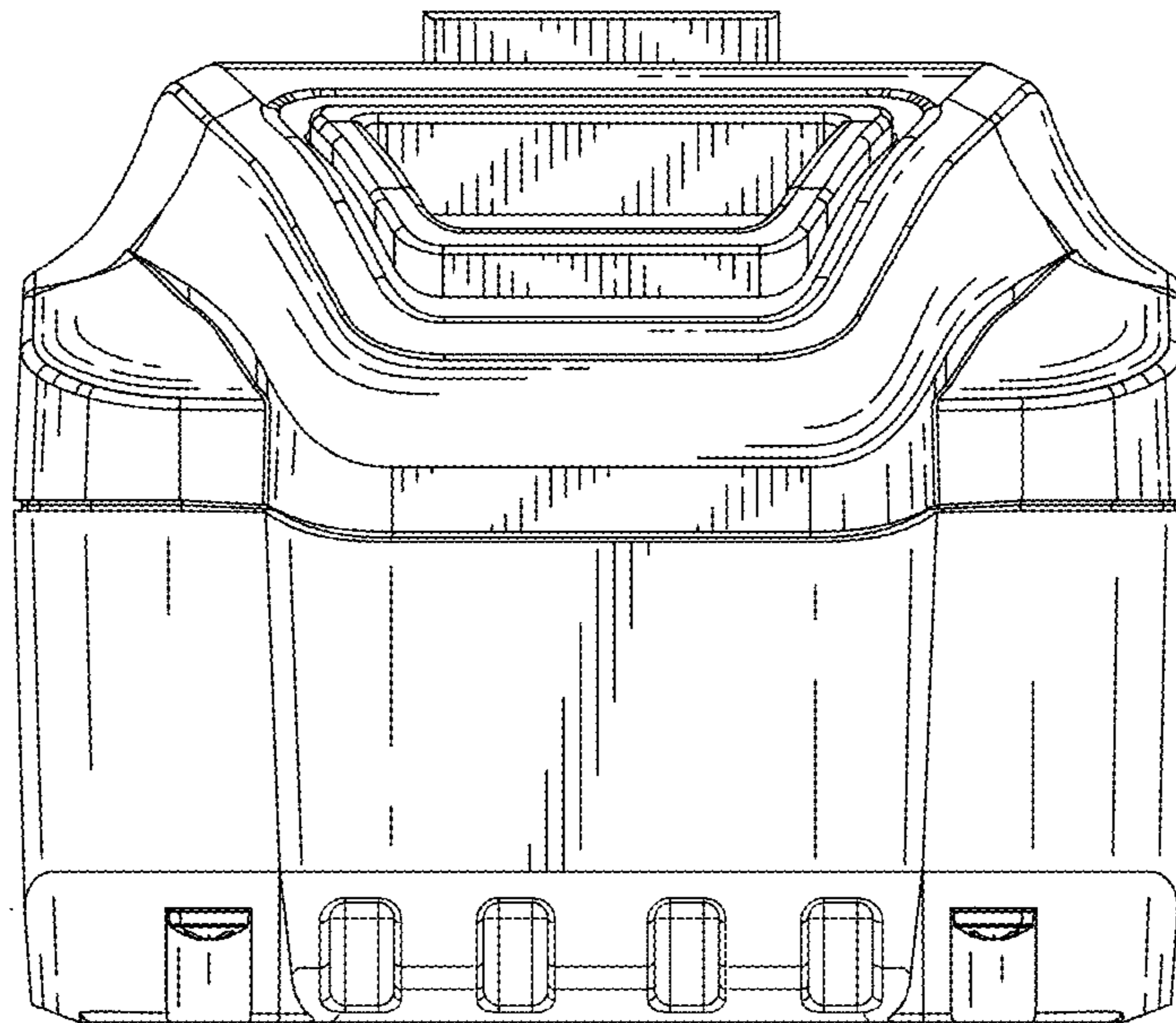


FIG. 2

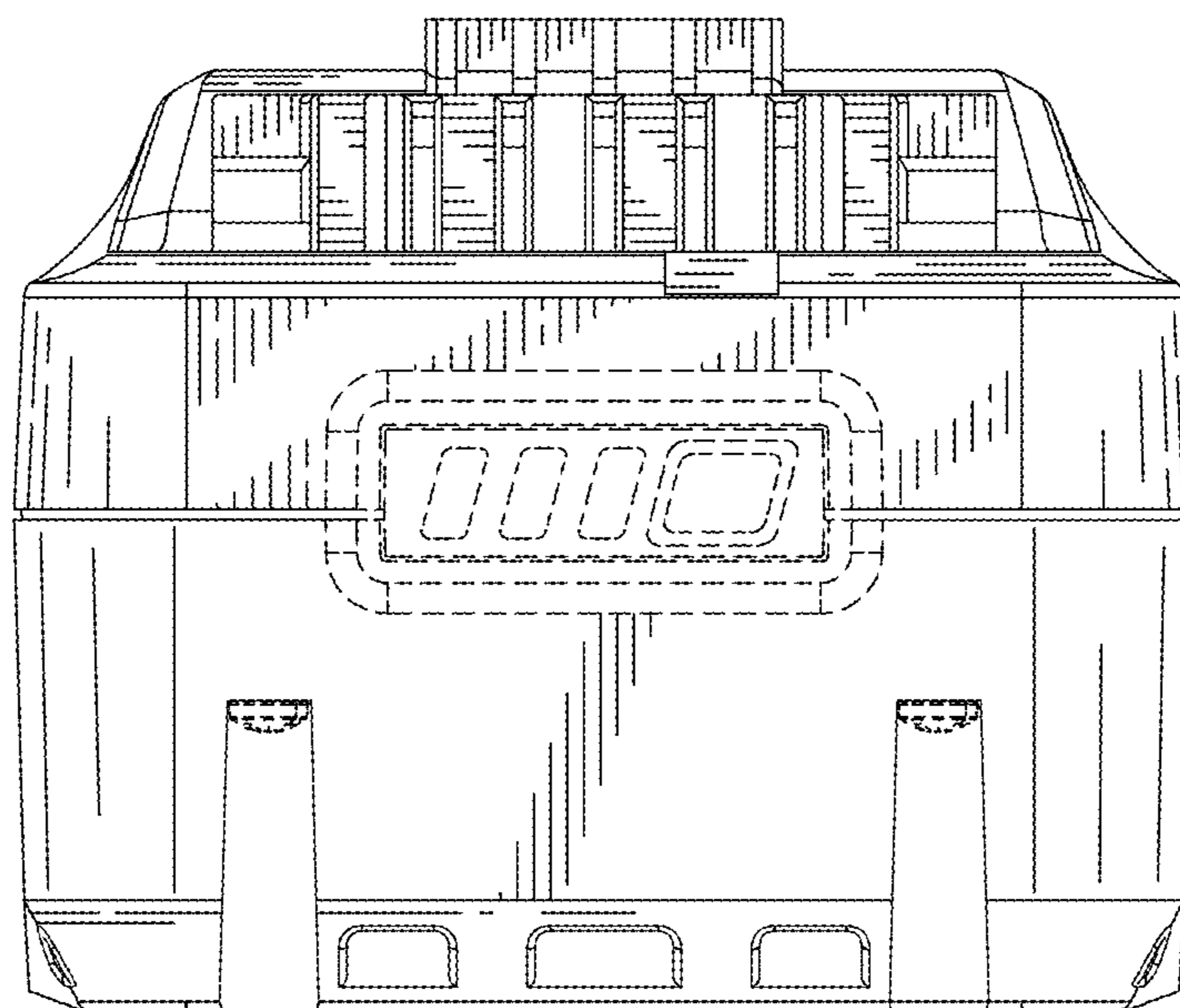


FIG. 3

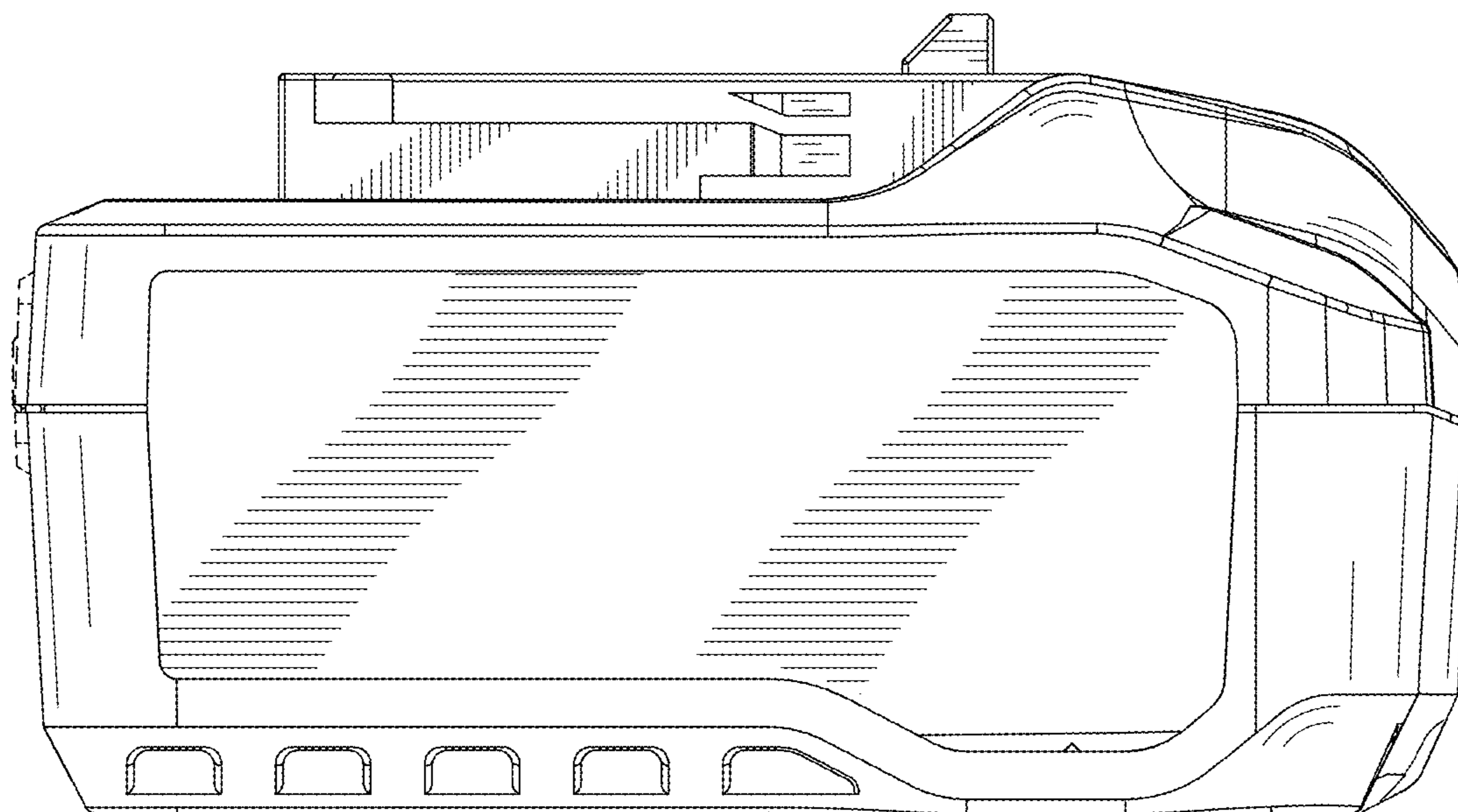


FIG. 4

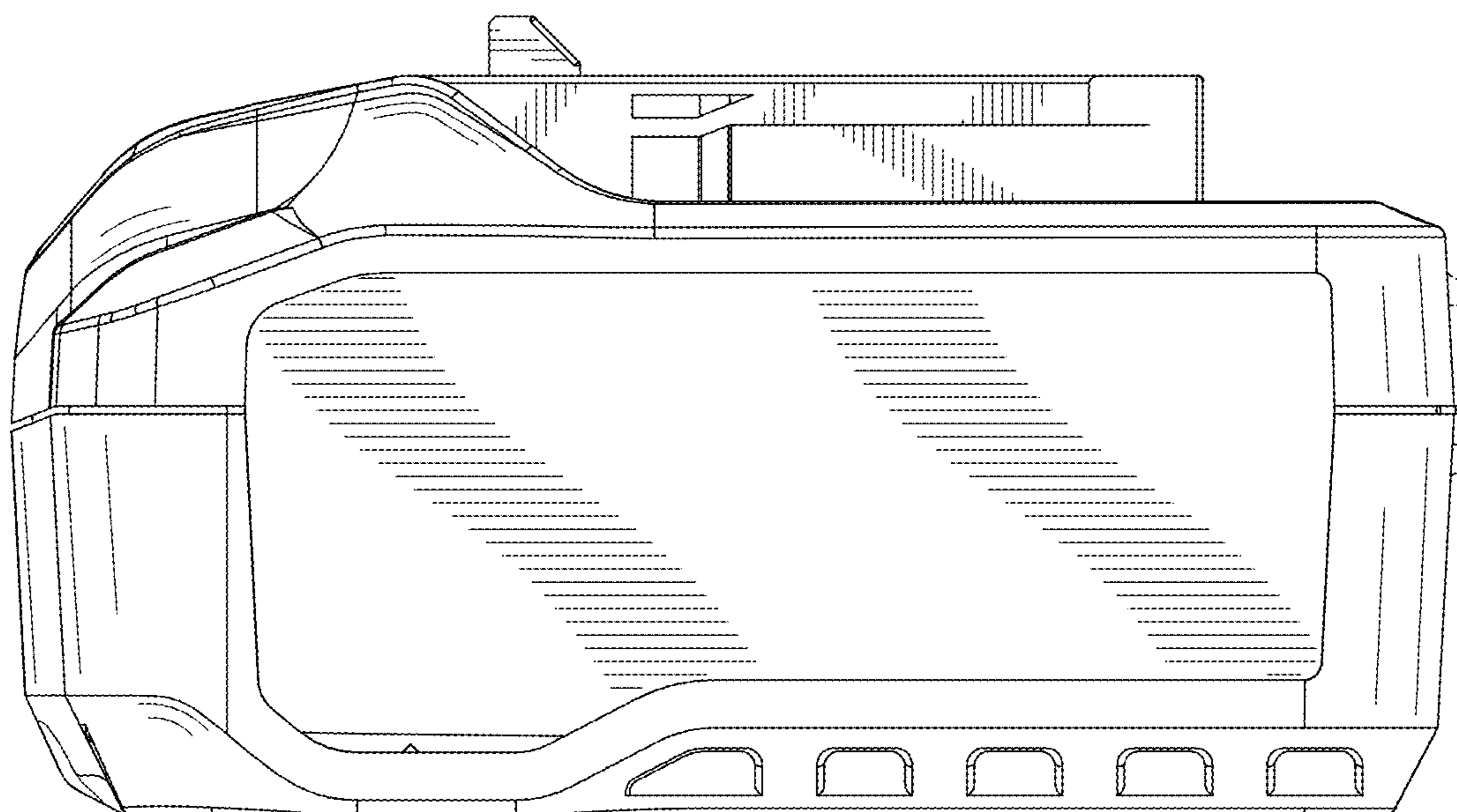


FIG. 5

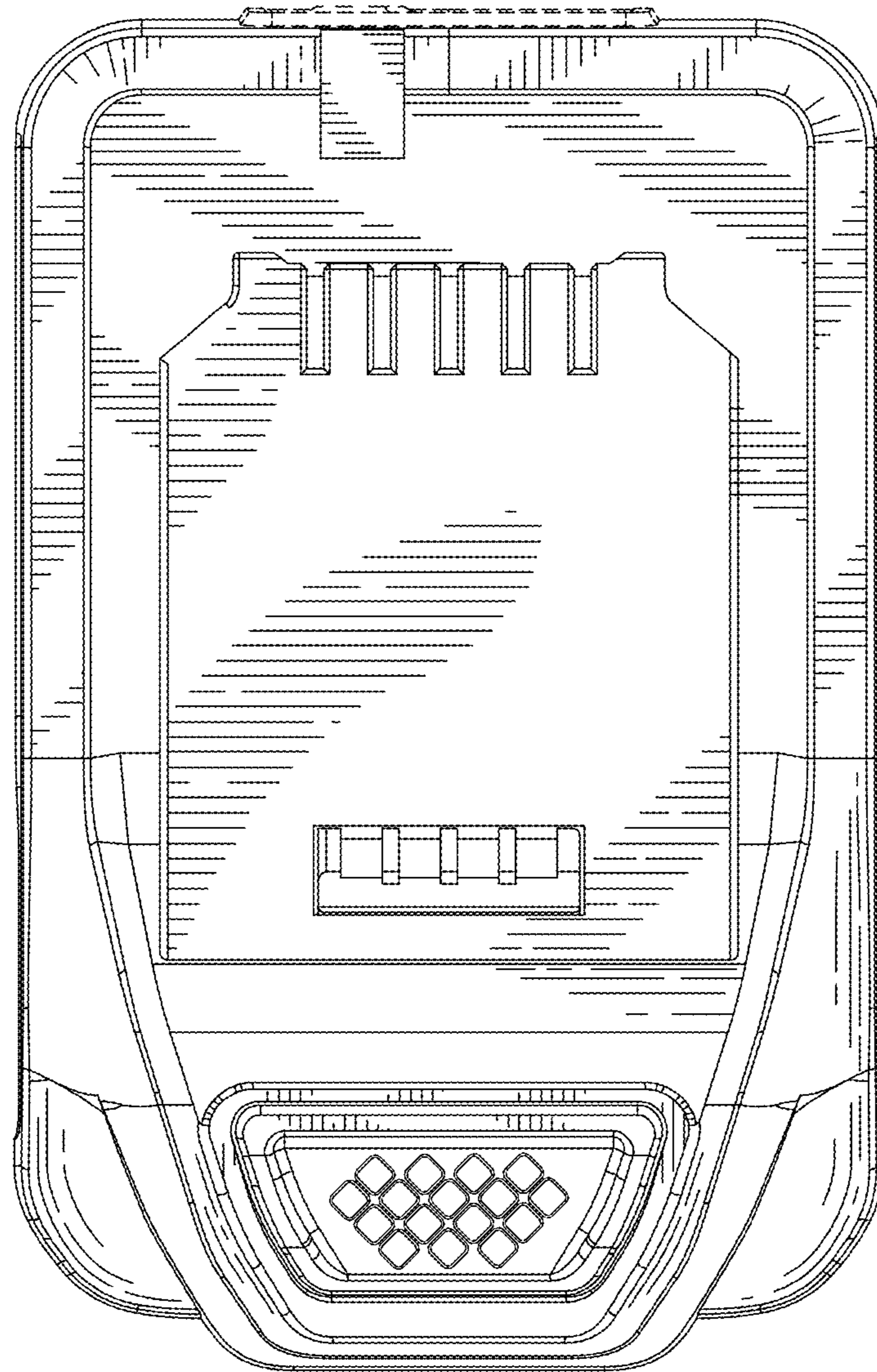


FIG. 6

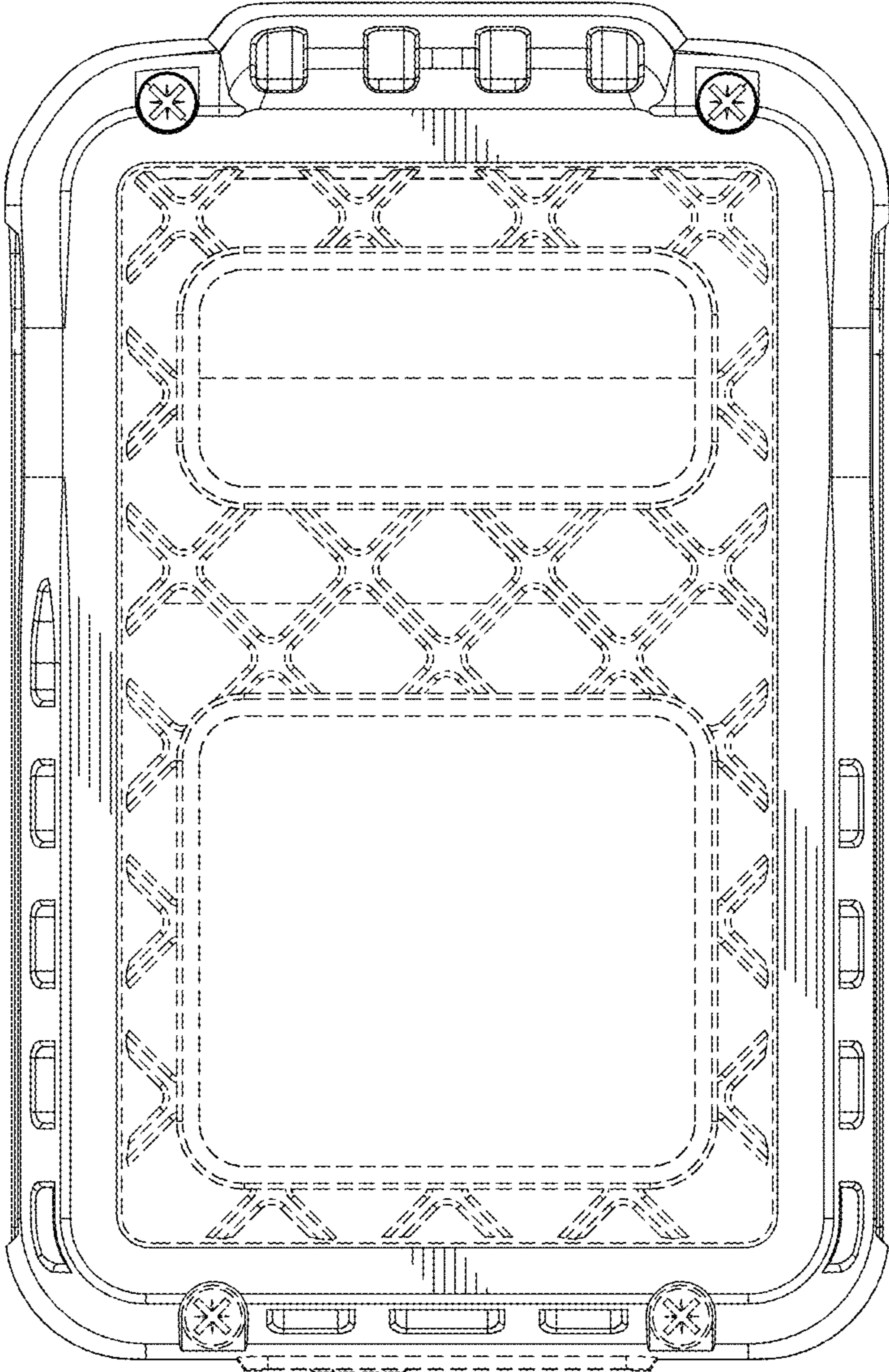


FIG. 7