



US00D898656S

(12) **United States Design Patent**  
**Riaz Ralf et al.**

(10) **Patent No.:** **US D898,656 S**

(45) **Date of Patent:** **\*\* Oct. 13, 2020**

(54) **WHEEL**

(71) Applicant: **Human Horizons Holdings Co., Ltd.**,  
Shanghai (CN)

(72) Inventors: **Sherazee Riaz Ralf**, Shanghai (CN);  
**Yu-Cheng Yao**, Shanghai (CN)

(73) Assignee: **Human Horizons Holdings Co., Ltd.**,  
Shanghai (CN)

(\*\*) Term: **15 Years**

(21) Appl. No.: **29/683,462**

(22) Filed: **Mar. 13, 2019**

(30) **Foreign Application Priority Data**

Sep. 13, 2018 (CN) ..... 2018 3 0516448

(51) **LOC (12) Cl.** ..... **12-15**

(52) **U.S. Cl.**  
USPC ..... **D12/501**

(58) **Field of Classification Search**

USPC ..... D12/500-514, 533-567, 604

CPC ..... Y10T 152/10027; B60C 1/0016; B60C  
11/0306; B60C 11/0302; B60C 3/06;  
B60C 9/17

See application file for complete search history.

(56) **References Cited**

**U.S. PATENT DOCUMENTS**

D539,260 S \* 3/2007 Caspi ..... D12/501  
D542,003 S \* 5/2007 Morris ..... D34/27

D610,515 S \* 2/2010 Platto ..... D12/211  
D749,035 S \* 2/2016 Gong ..... D12/501  
D779,409 S \* 2/2017 Zhang ..... D12/501  
D789,287 S \* 6/2017 Zhang ..... D12/501  
D791,681 S \* 7/2017 Zhang ..... D12/501  
D795,362 S \* 8/2017 Talios ..... D21/563  
D808,877 S \* 1/2018 Liu ..... D12/204  
D833,968 S \* 11/2018 Shmagranoff ..... D12/605  
D837,592 S \* 1/2019 Lira-Nunez ..... D7/403  
D856,914 S \* 8/2019 Cron ..... D12/605

\* cited by examiner

*Primary Examiner* — Lakiya G Rogers

*Assistant Examiner* — John A Voytek

(74) *Attorney, Agent, or Firm* — Akerman LLP

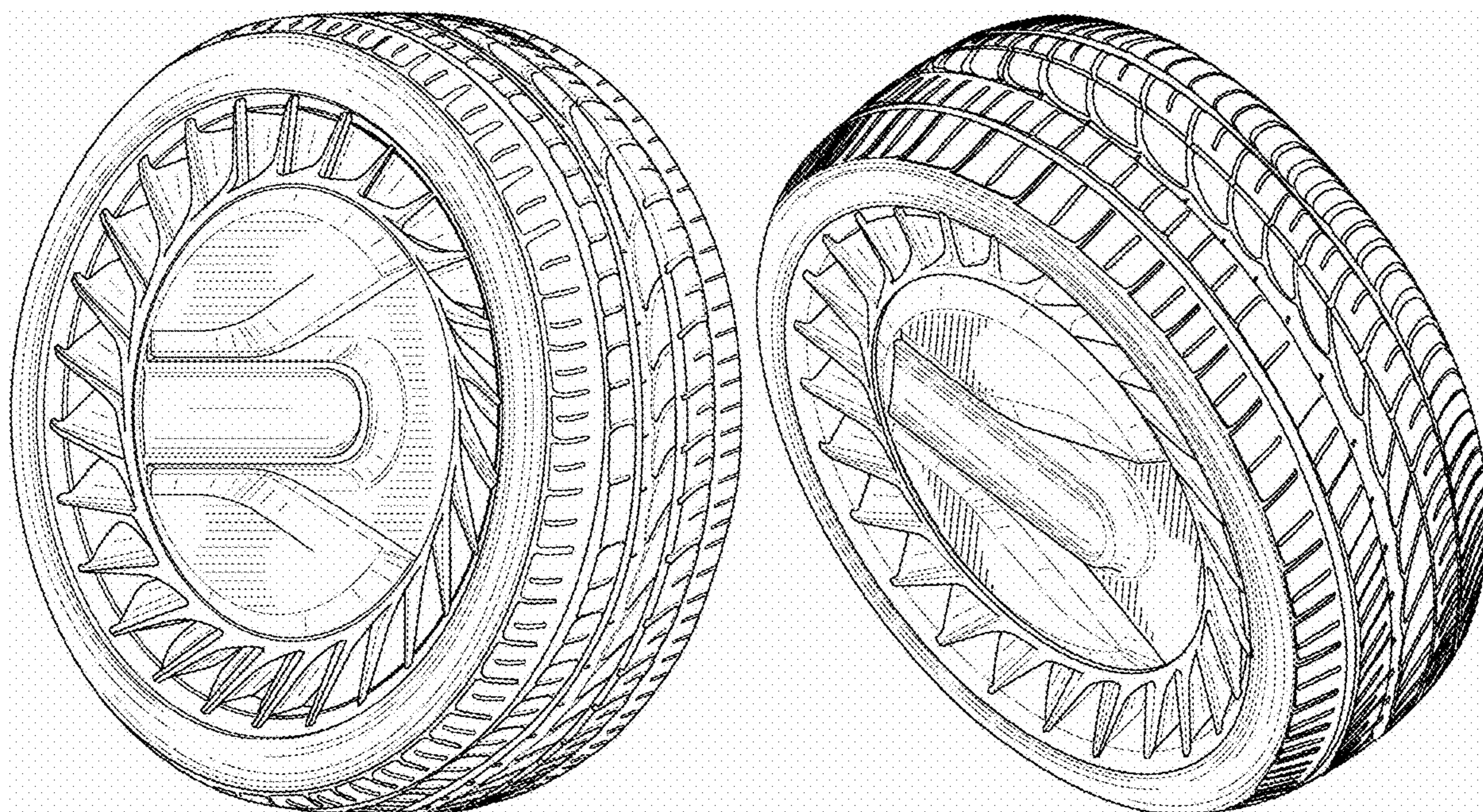
(57) **CLAIM**

The ornamental design for a wheel, as shown and described.

**DESCRIPTION**

FIG. 1 is a front view of the wheel according to our design;  
FIG. 2 is a rear view of the wheel of FIG. 1;  
FIG. 3 is a left view of the wheel of FIG. 1;  
FIG. 4 is a right view of the wheel of FIG. 1;  
FIG. 5 is a top view of the wheel of FIG. 1;  
FIG. 6 is a bottom view of the wheel of FIG. 1;  
FIG. 7 is a perspective view of the wheel of FIG. 1; and,  
FIG. 8 is another perspective view of the wheel of FIG. 1.

**1 Claim, 8 Drawing Sheets**



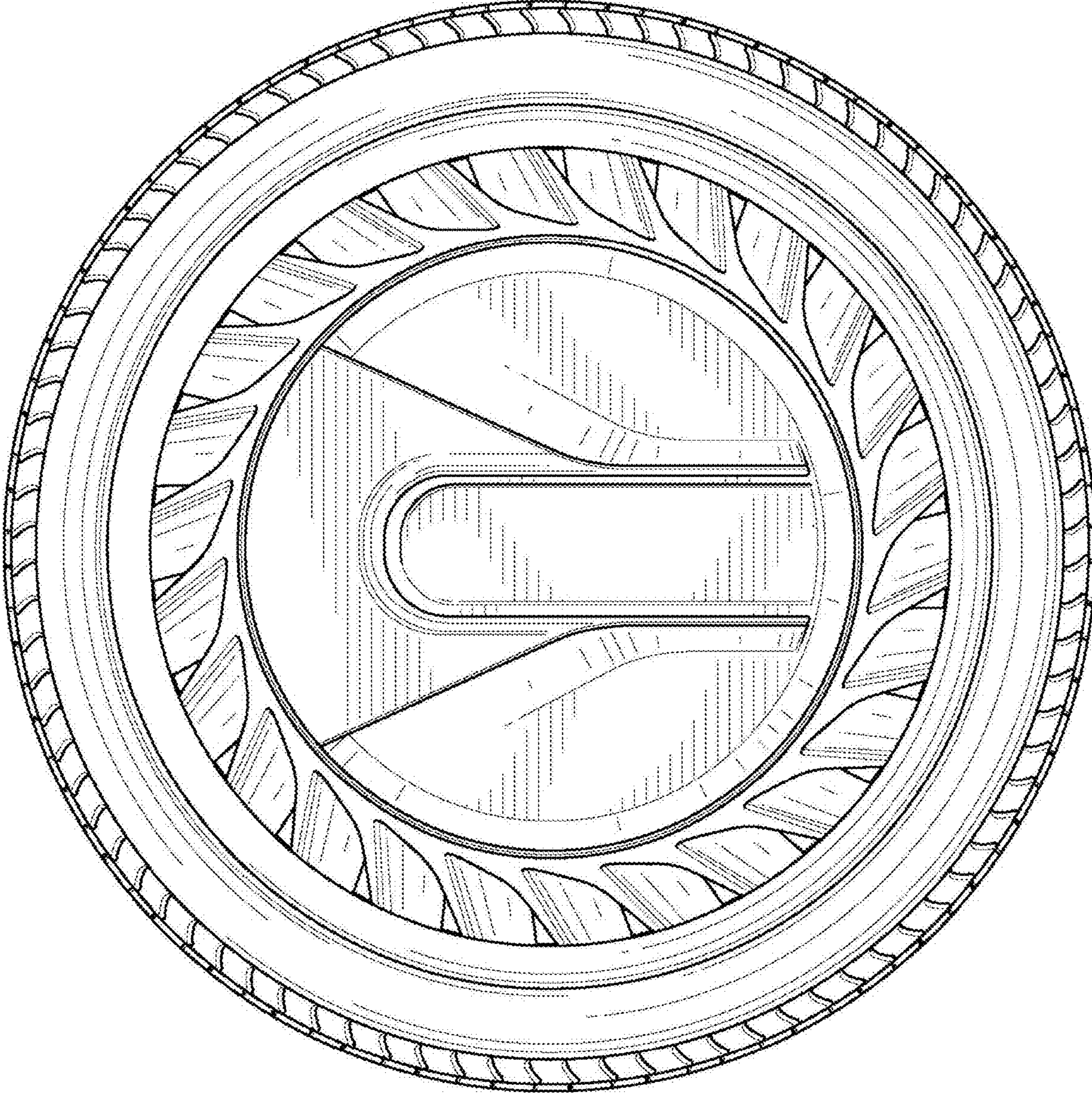


FIGURE 1

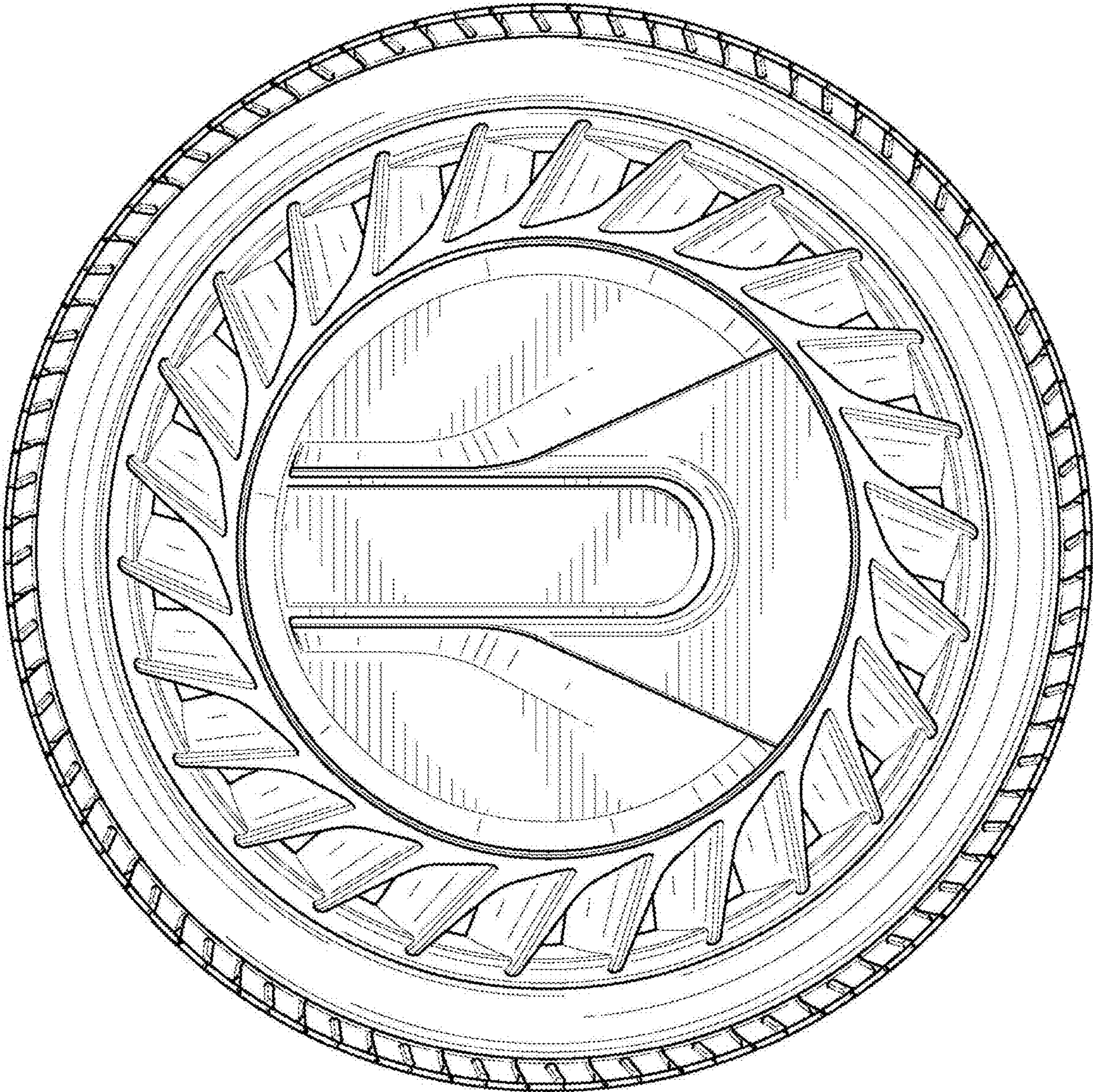


FIGURE 2

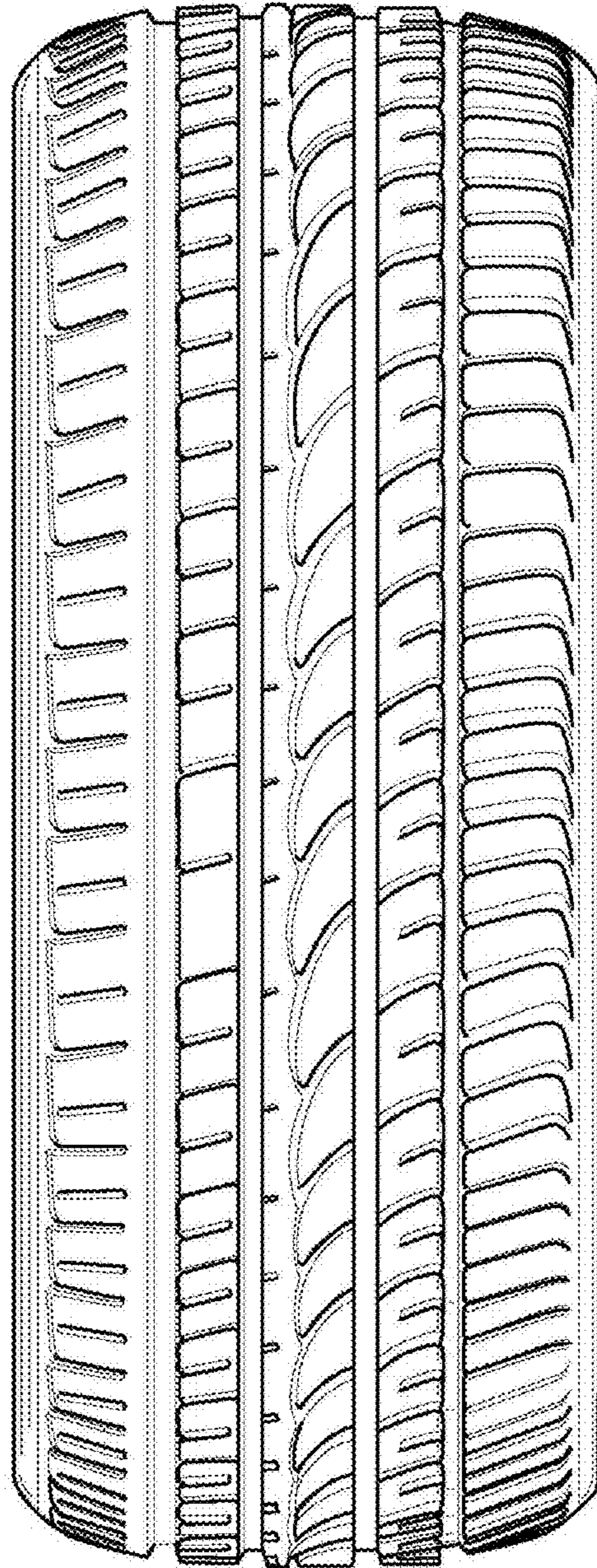


FIGURE 3

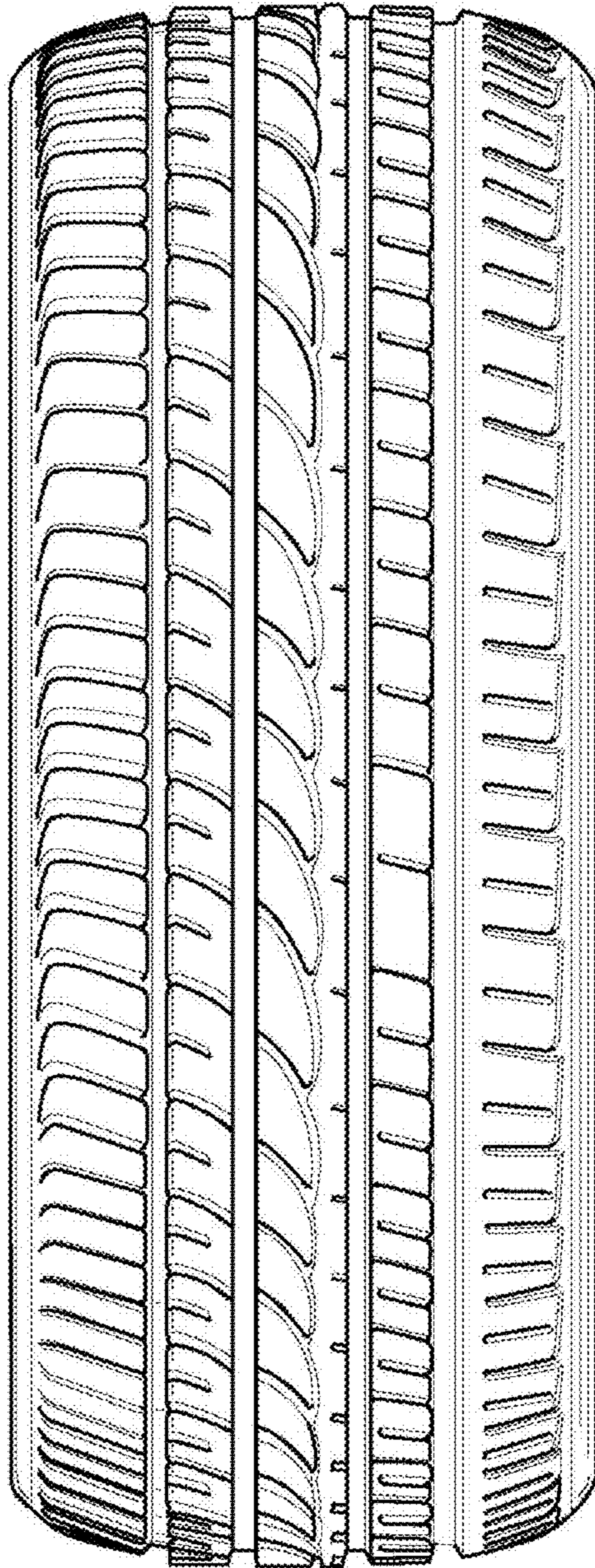


FIGURE 4

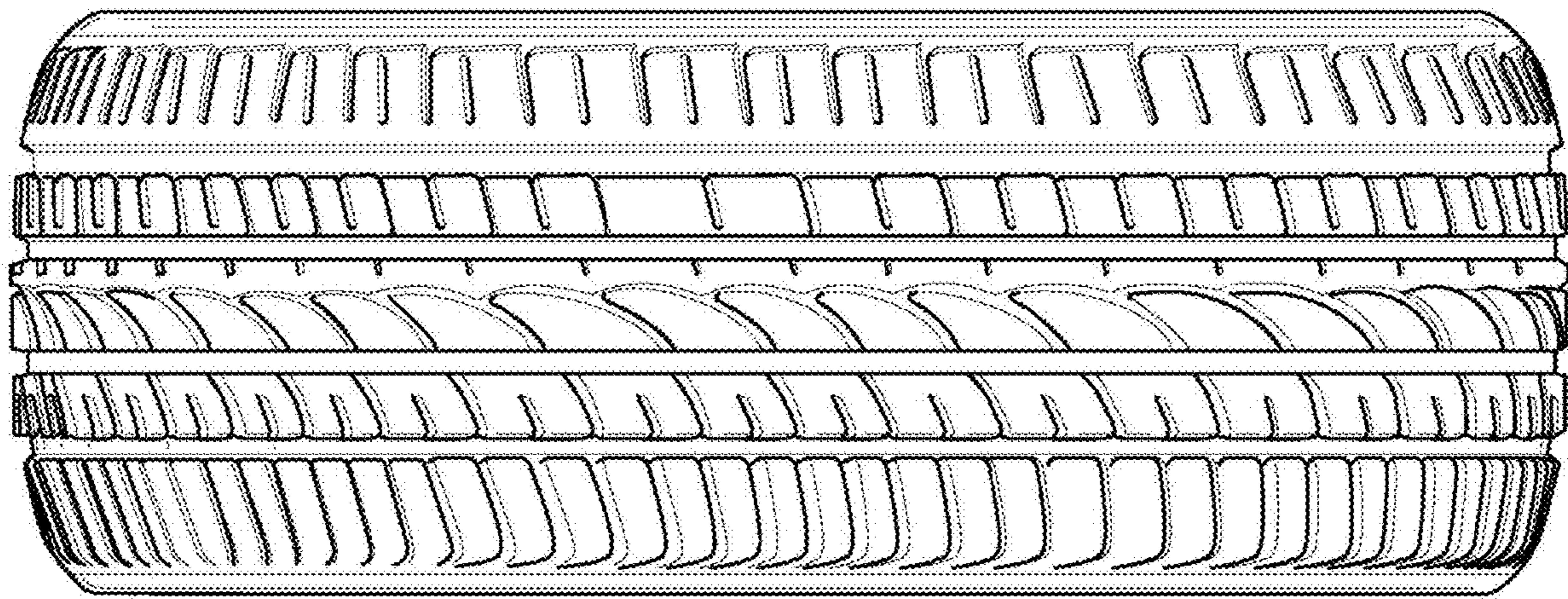


FIGURE 5

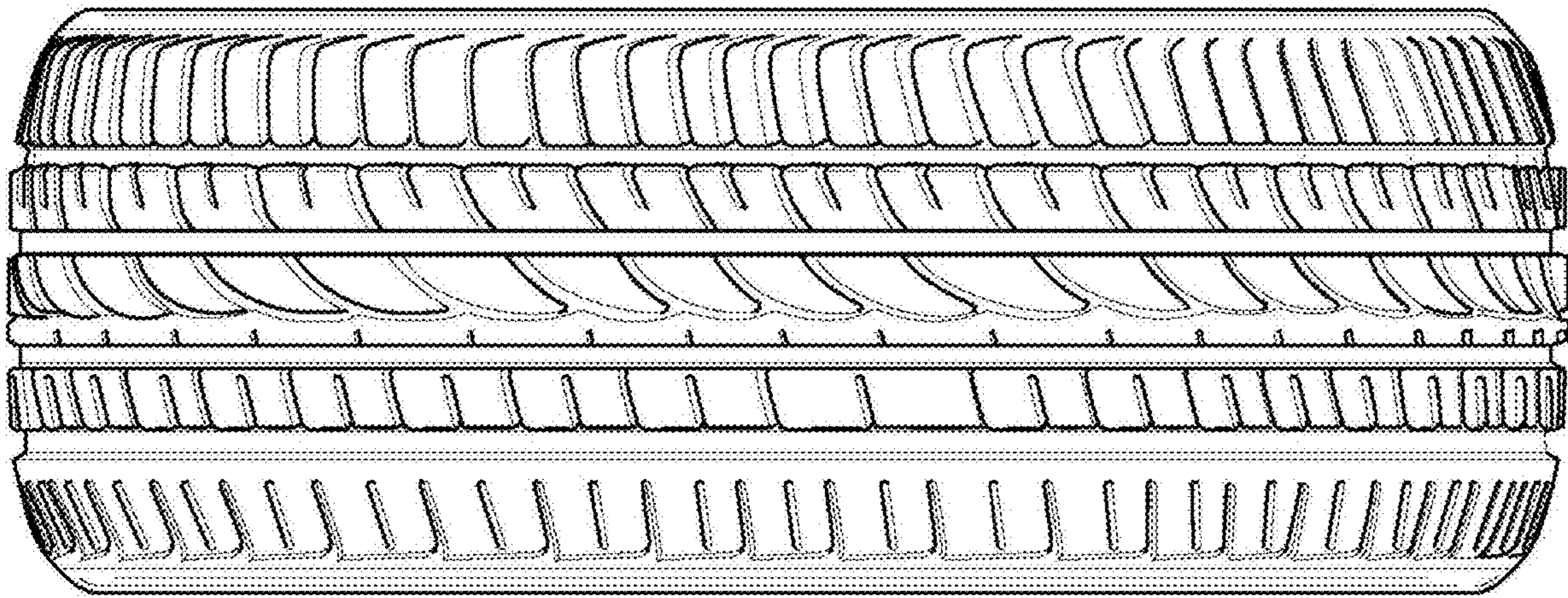


FIGURE 6

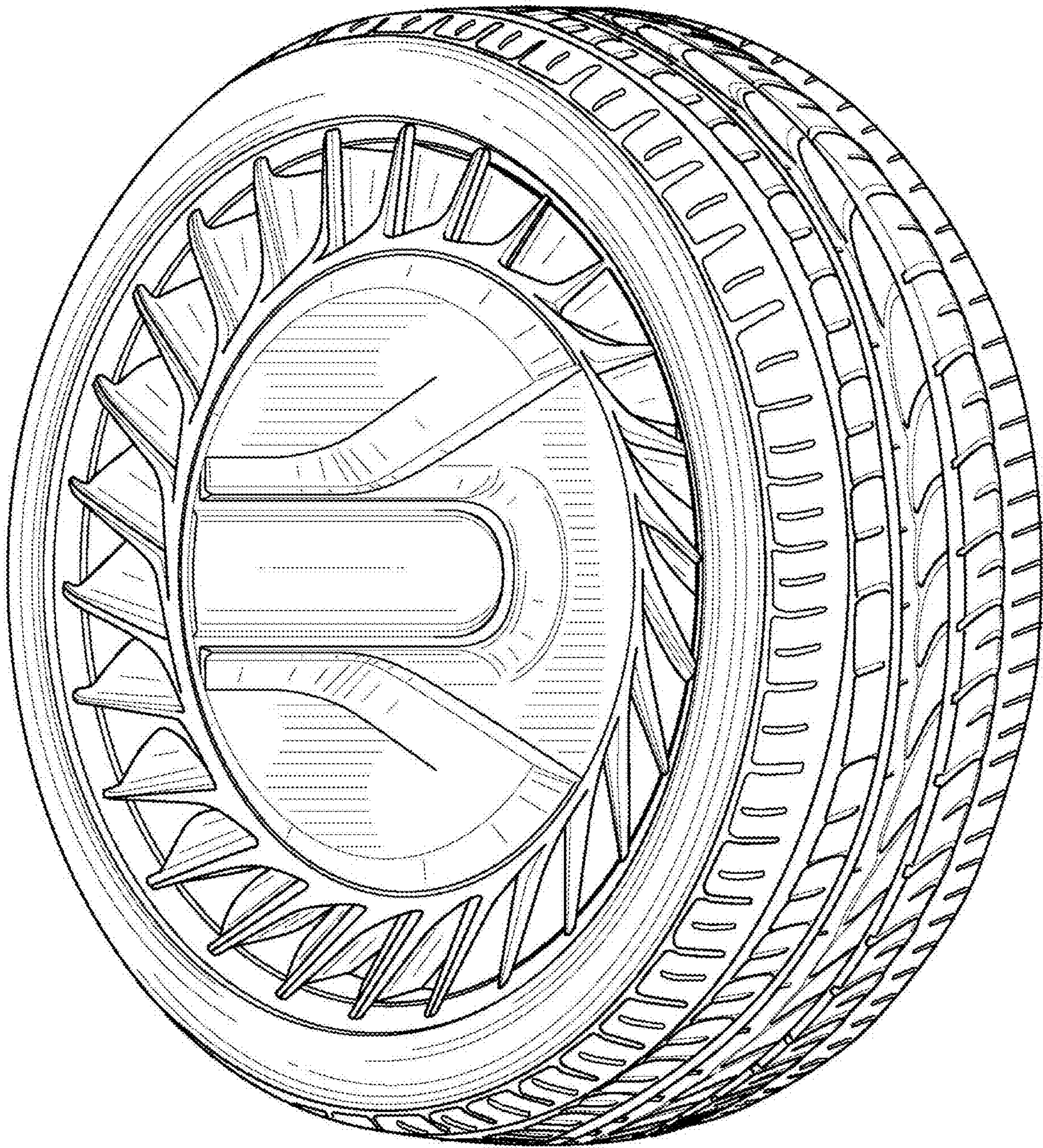


FIGURE 7





FIGURE 8